



US00D622163S

(12) **United States Design Patent**
Loth

(10) **Patent No.:** **US D622,163 S**

(45) **Date of Patent:** **** Aug. 24, 2010**

(54) **WRISTWATCH**

(75) Inventor: **Eric A. Loth**, La Chaux-de-Fonds (CH)

(73) Assignee: **The British Masters SA**, La Chaux-de-Fonds (CH)

(**) Term: **14 Years**

(21) Appl. No.: **29/344,272**

(22) Filed: **Sep. 25, 2009**

(30) **Foreign Application Priority Data**

Mar. 25, 2009 (CH) 135880

(51) **LOC (9) Cl.** **10-02**

(52) **U.S. Cl.** **D10/32**

(58) **Field of Classification Search** D10/30-39,
D10/122-132; 368/276, 281, 282, 308, 319,
368/288-290, 80, 223, 228, 232; D11/3,
D11/12

See application file for complete search history.

(56) **References Cited**

U.S. PATENT DOCUMENTS

3,427,800	A	*	2/1969	Blum	368/223
D306,981	S	*	4/1990	Bettelini	D11/3
D391,176	S	*	2/1998	Bulgari	D10/39
D452,175	S	*	12/2001	Finazzi	D10/39
D454,802	S	*	3/2002	Hegi	D10/39
D496,591	S	*	9/2004	Yurman	D10/32
D533,468	S	*	12/2006	Loth	D10/32
D536,996	S	*	2/2007	Loth	D10/32
D540,195	S	*	4/2007	Nussbaumer	D10/31
D559,130	S	*	1/2008	Laucella	D10/39

D569,276	S	*	5/2008	Scheufele	D10/39
D574,263	S	*	8/2008	Loth	D10/38
D574,734	S	*	8/2008	Loth	D10/38
D586,238	S	*	2/2009	Loth	D10/32
D586,669	S	*	2/2009	Loth	D10/39
D588,945	S	*	3/2009	Arabo	D10/39
D591,176	S	*	4/2009	Monachon	D10/32
D591,179	S	*	4/2009	Loth	D10/39
D592,980	S	*	5/2009	Laucella	D10/39

* cited by examiner

Primary Examiner—Lucy Lieberman

(74) *Attorney, Agent, or Firm*—Sughrue Mion, PLLC

(57) **CLAIM**

The ornamental design for a wristwatch, as shown and described.

DESCRIPTION

FIG. 1 is a perspective view of the front and right side of a wristwatch showing my new design;

FIG. 2 is a front elevational view thereof;

FIG. 3 is a rear elevational view thereof;

FIG. 4 is a left side elevational view thereof;

FIG. 5 is a right side elevational view thereof;

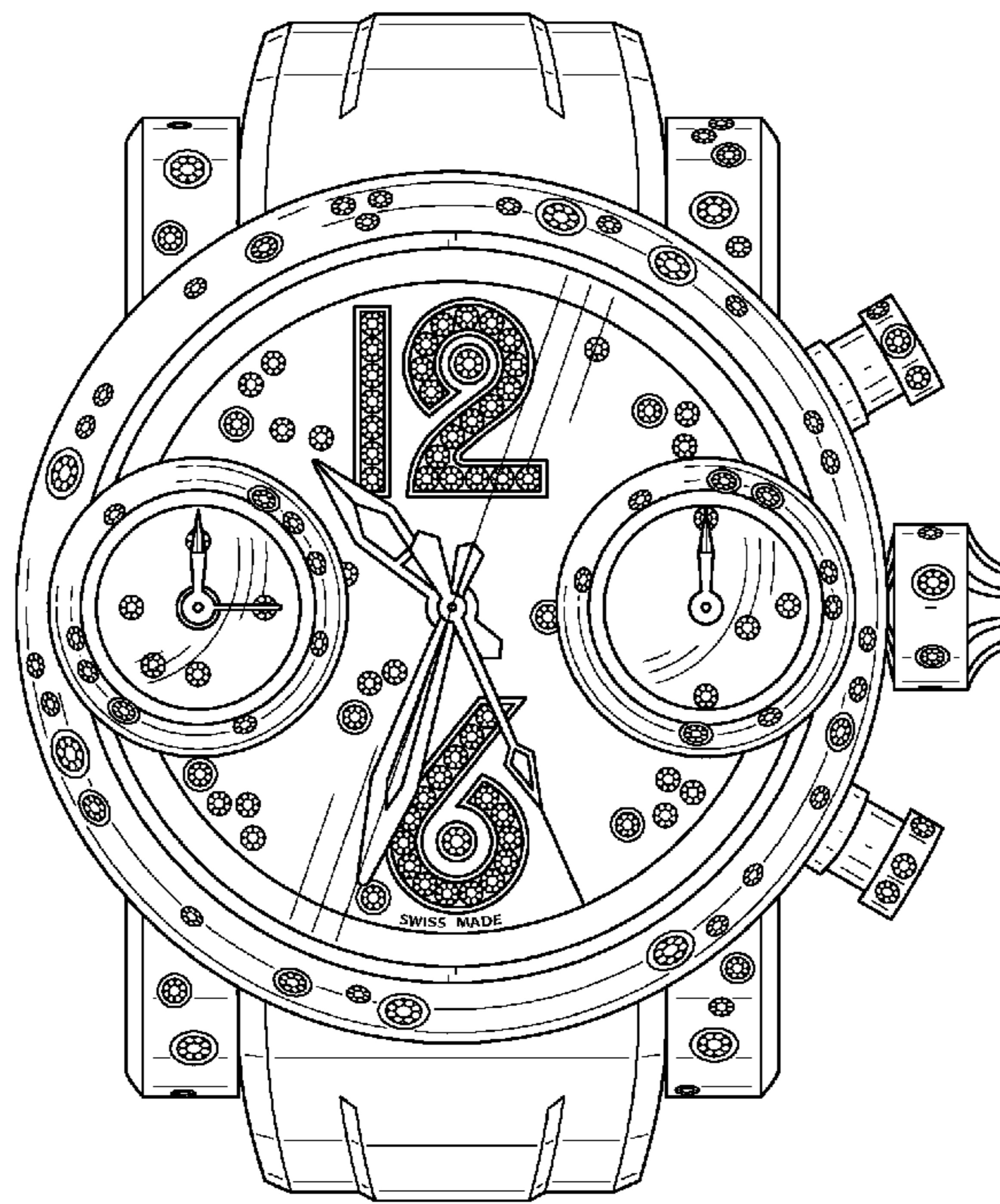
FIG. 6 is a top plan view thereof;

FIG. 7 is a bottom plan view thereof; and,

FIG. 8 is a perspective view of the rear and right side thereof.

The broken lines in FIGS. 3 and 8 are used to show portions of the wristwatch that do not form part of the claimed design.

1 Claim, 8 Drawing Sheets



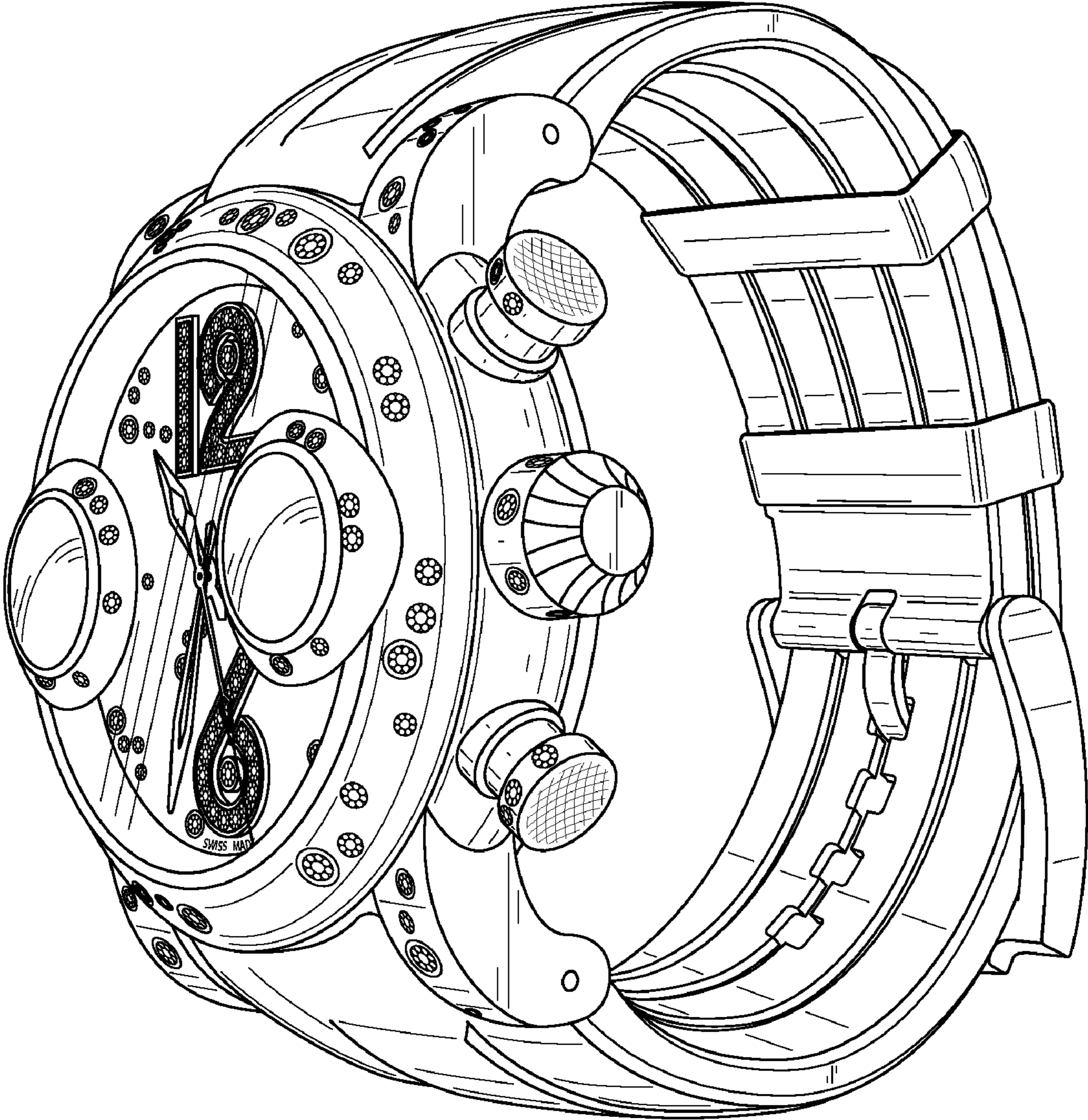


FIG. 1

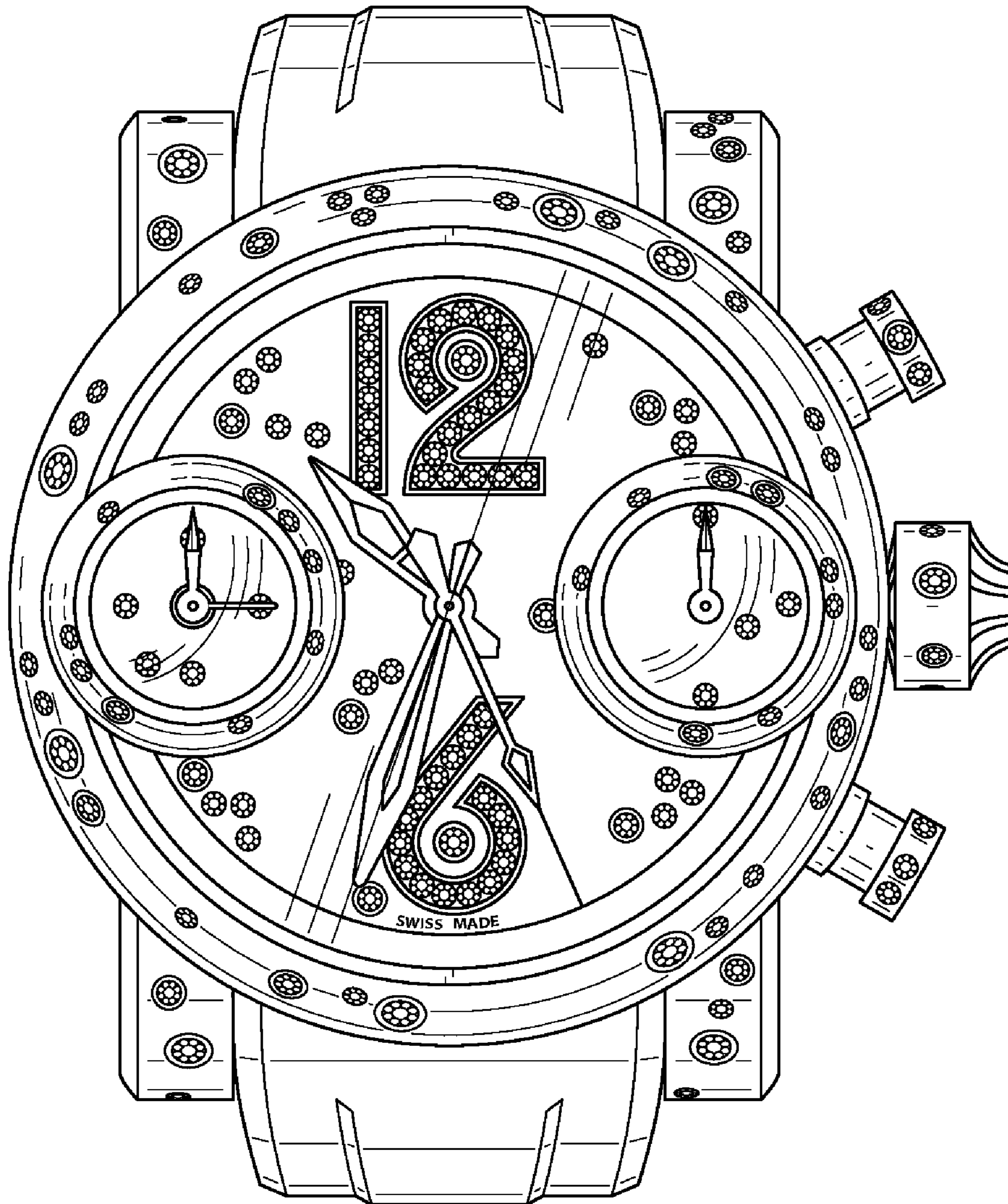


FIG. 2

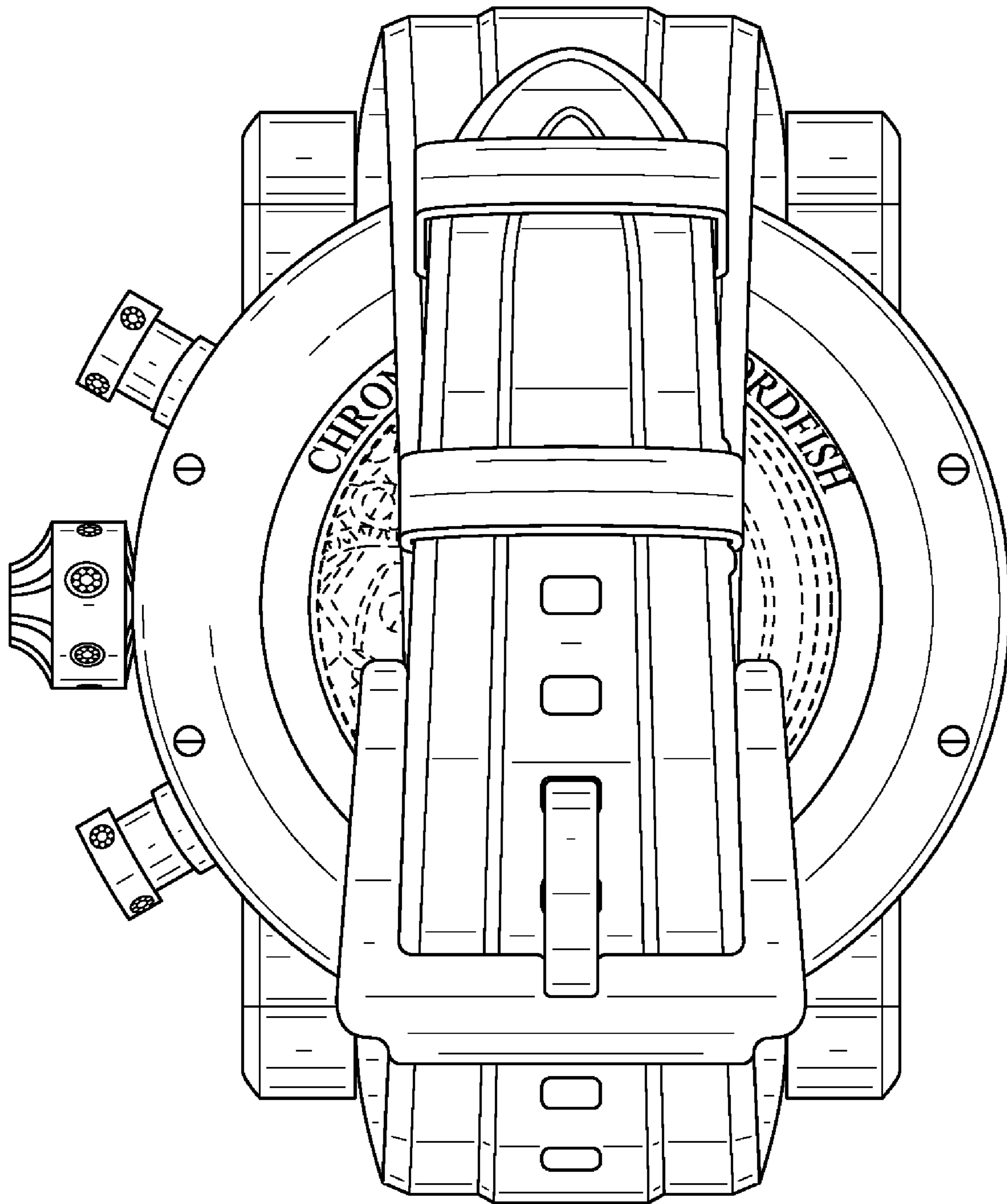


FIG. 3

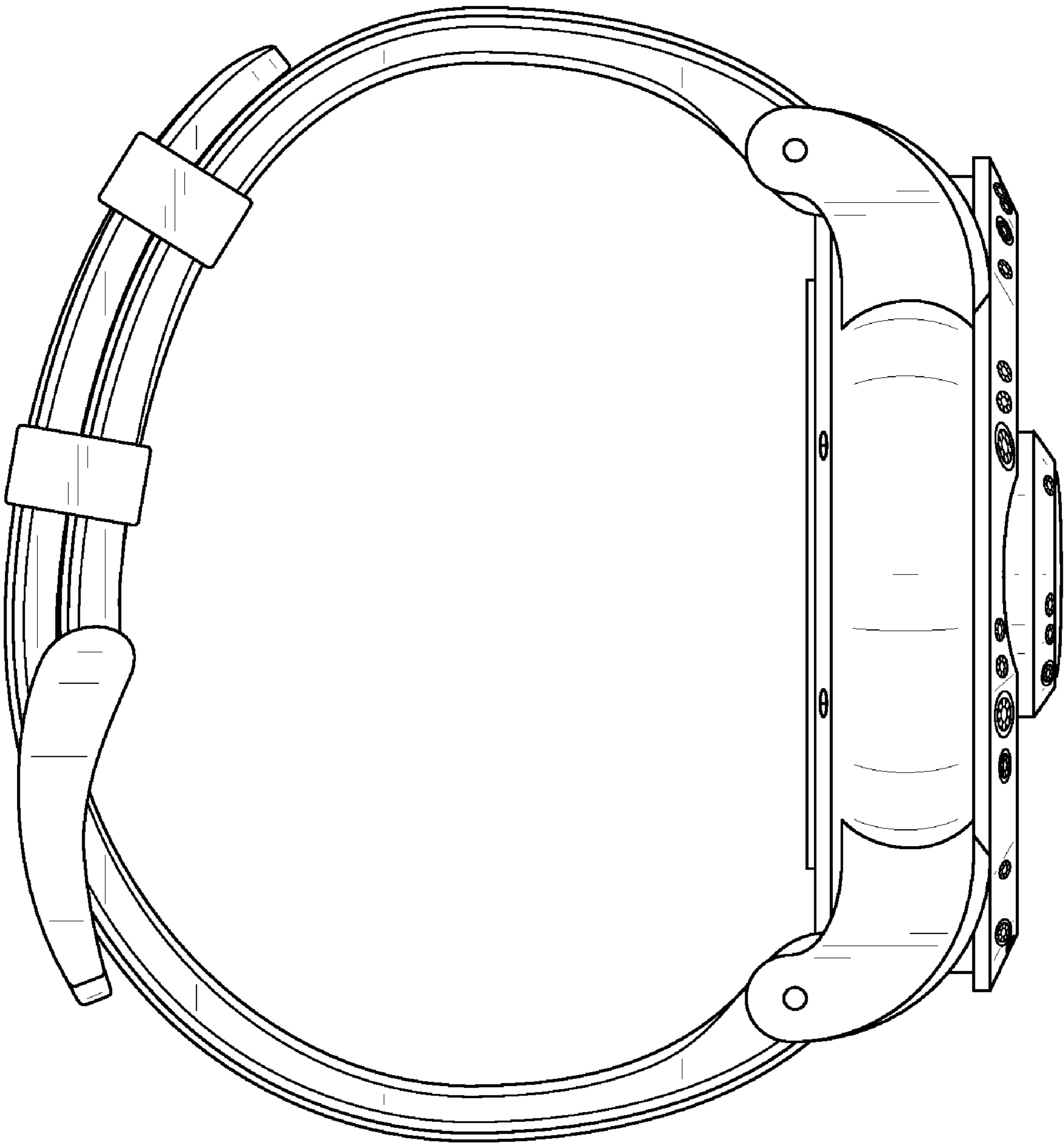


FIG. 4

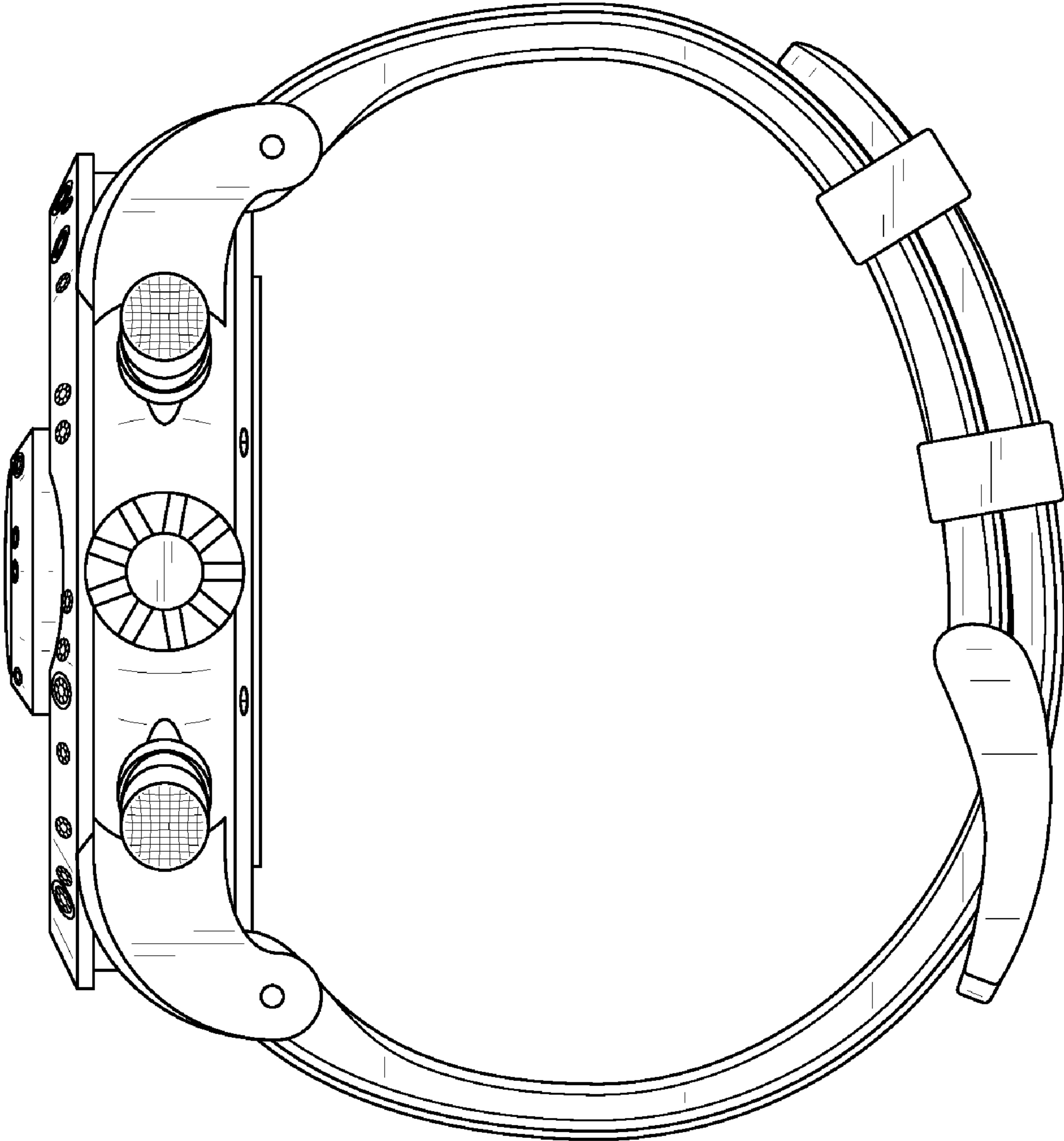


FIG. 5

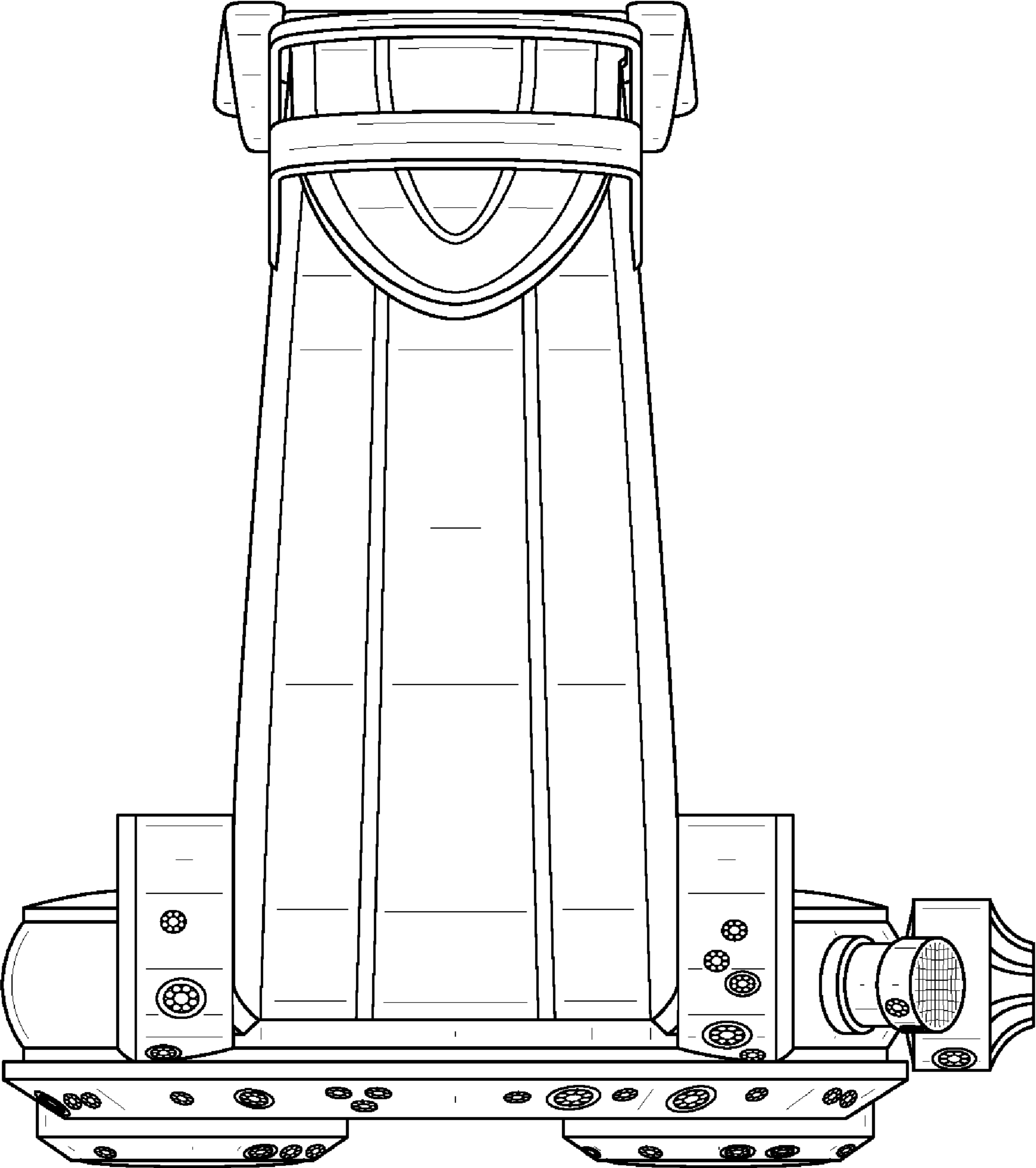


FIG. 6

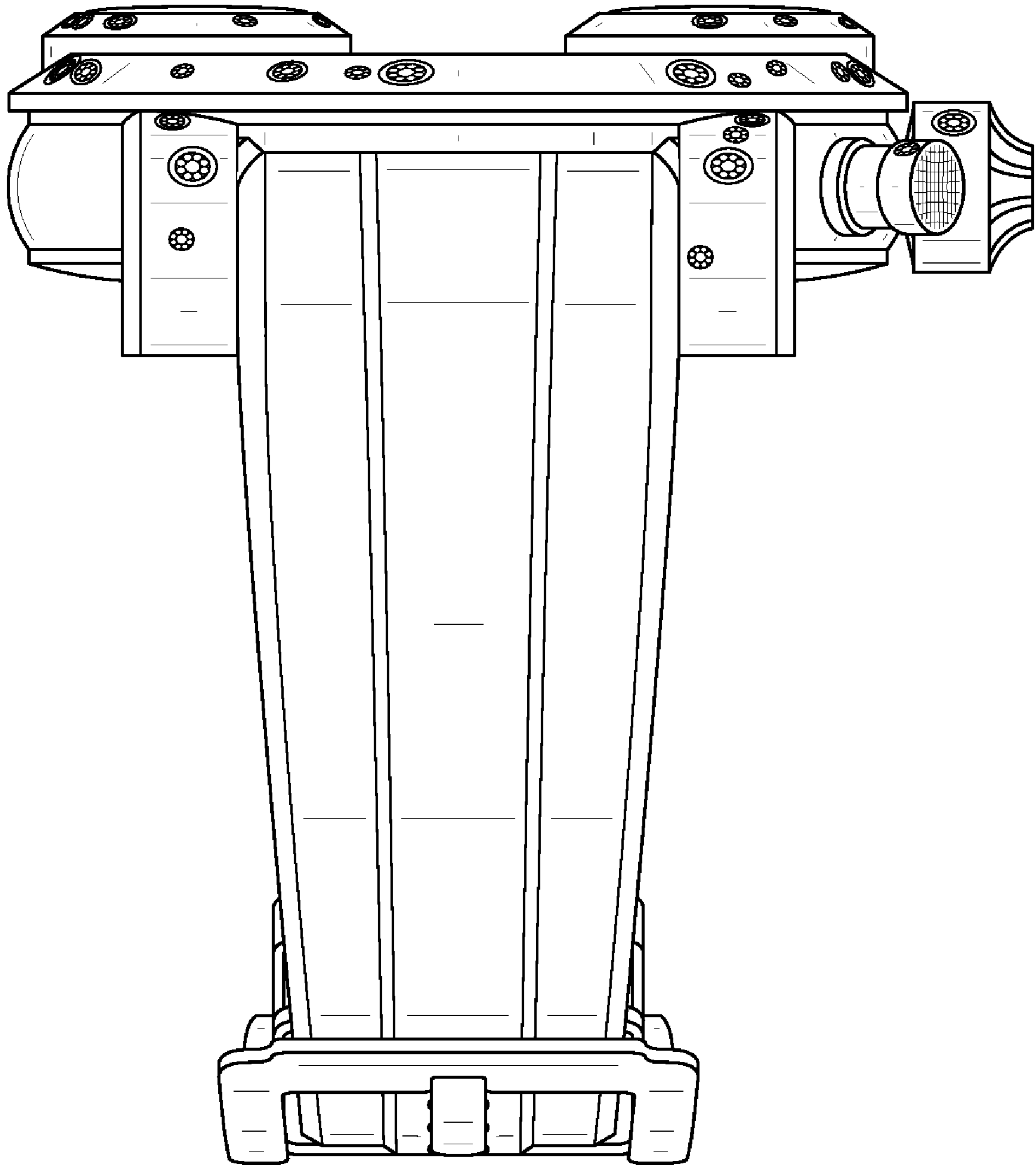


FIG. 7

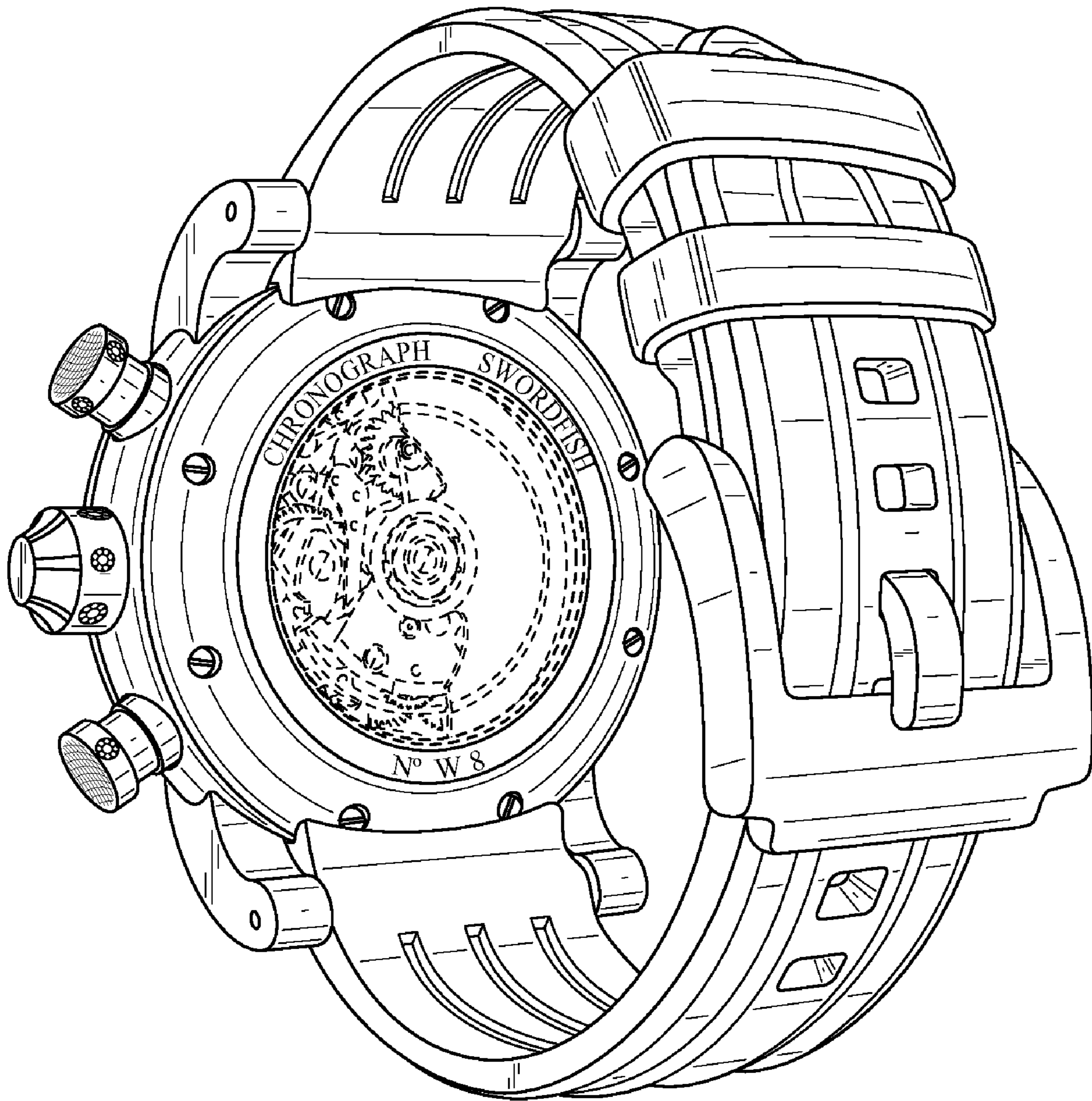


FIG. 8