

US00D622160S

(12) **United States Design Patent**
Bridges

(10) **Patent No.:** **US D622,160 S**

(45) **Date of Patent:** **** Aug. 24, 2010**

(54) **SHAVING RAZOR TRAY**

(75) Inventor: **Kelly Daniel Bridges**, Abington, MA
(US)

(73) Assignee: **The Gillette Company**, Boston, MA
(US)

(**) Term: **14 Years**

(21) Appl. No.: **29/358,038**

(22) Filed: **Mar. 22, 2010**

(51) **LOC (9) Cl.** **09-03**

(52) **U.S. Cl.** **D9/749**

(58) **Field of Classification Search** D9/749,
D9/737, 748, 415; D6/526, 512; D3/201,
D3/205; D28/44, 99, 73; 206/349, 228,
206/244, 252, 775, 208, 493, 354-360, 352;
30/541

See application file for complete search history.

(56) **References Cited**

U.S. PATENT DOCUMENTS

D226,478 S *	3/1973	Glaberson	D9/749
D336,426 S	6/1993	Fisher		
5,782,346 A *	7/1998	Gray et al.	206/228
D399,421 S *	10/1998	Gray	D9/749
D401,145 S *	11/1998	Gray	D9/749
5,903,978 A *	5/1999	Prochaska et al.	30/34.05
6,946,624 B1 *	9/2005	Tomassetti	219/386
D533,466 S *	12/2006	Wonderley et al.	D9/749
D534,815 S *	1/2007	White	D9/749
D540,191 S *	4/2007	Ramm et al.	D9/749

D542,675 S	5/2007	Luxton et al.		
D546,199 S *	7/2007	Gray et al.	D9/749
D558,606 S *	1/2008	Watson et al.	D9/749
D561,610 S *	2/2008	Renaldi et al.	D9/749
D571,591 S *	6/2008	Ramm et al.	D6/526
D572,150 S *	7/2008	Stowers et al.	D9/749
D594,762 S	6/2009	Stowers et al.		
D596,434 S *	7/2009	Micinilio et al.	D6/526
D614,507 S *	4/2010	Lukan et al.	D9/749

* cited by examiner

Primary Examiner—Mark A Goodwin

(74) *Attorney, Agent, or Firm*—John M. Lipchitz; Kevin C. Johnson; Steven W. Miller

(57) **CLAIM**

The ornamental design for a shaving razor tray, as shown and described.

DESCRIPTION

FIG. 1 is a perspective view of a shaving razor tray of the present invention;

FIG. 2 is a rear view thereof;

FIG. 3 is a front view thereof;

FIG. 4 is a right side view thereof;

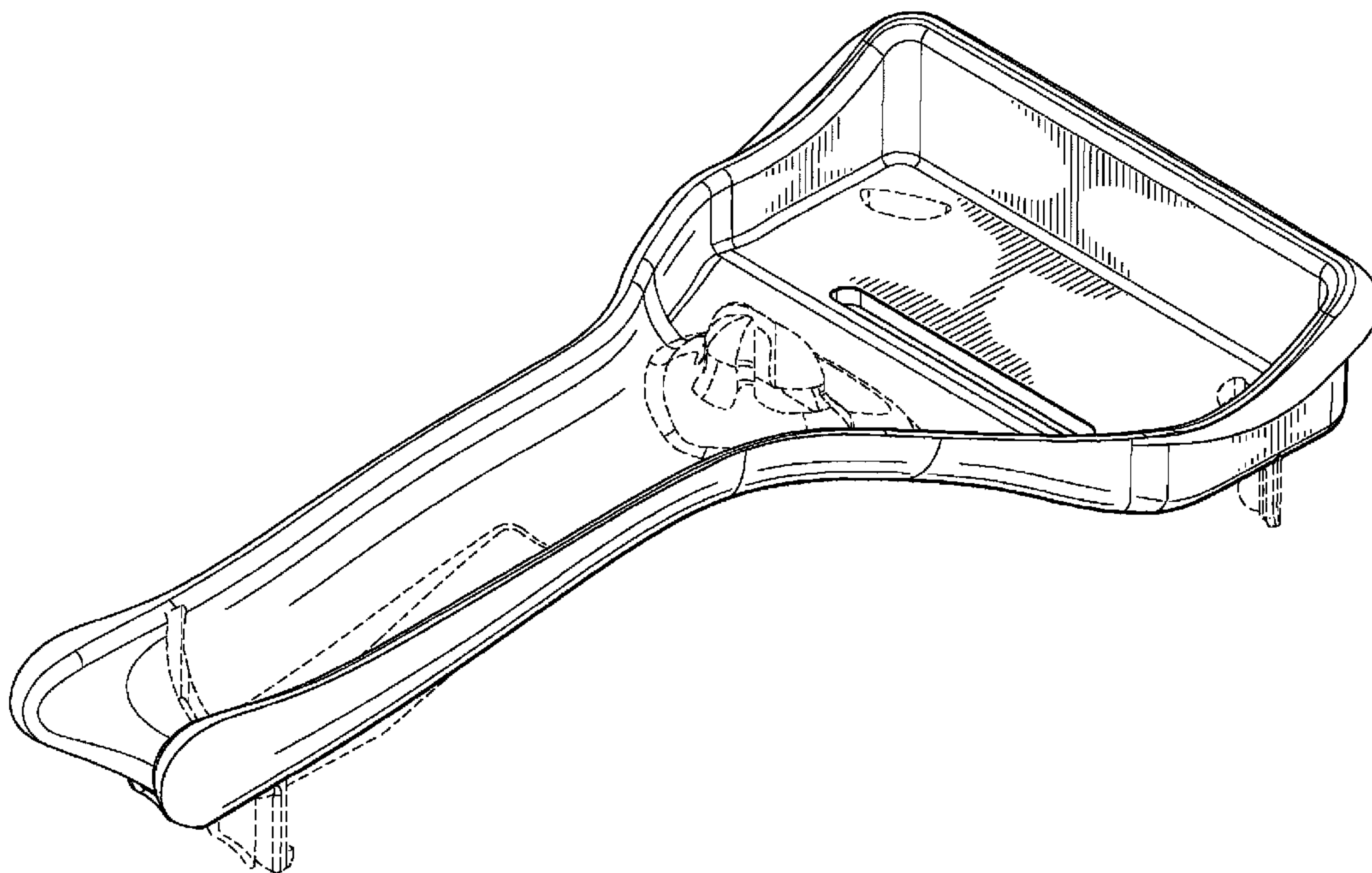
FIG. 5 is a left side view thereof;

FIG. 6 is a top view thereof; and,

FIG. 7 is a bottom view thereof.

The broken lines are shown for illustrative purposes only and form no part of the claimed design.

1 Claim, 5 Drawing Sheets



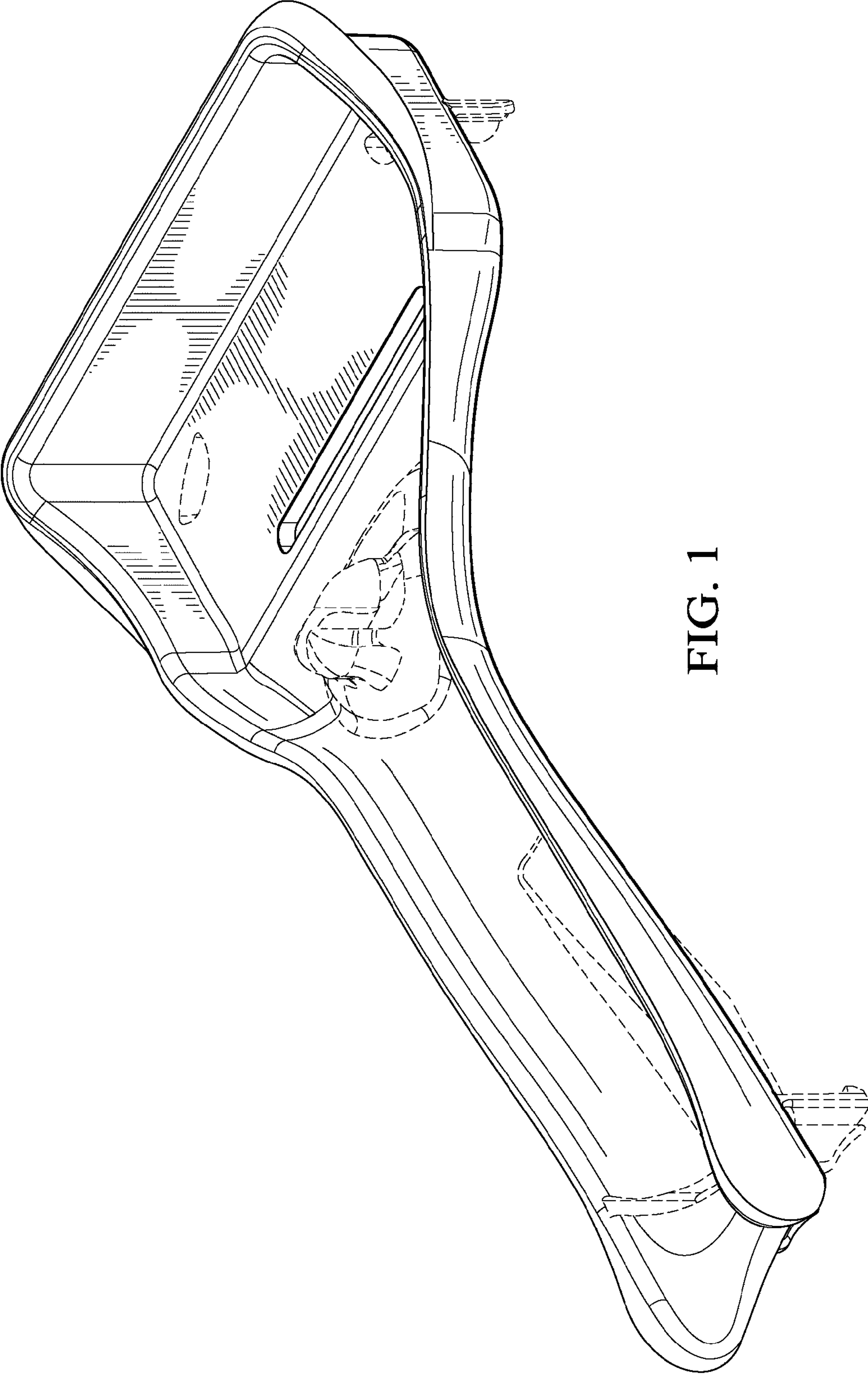


FIG. 1

FIG. 2

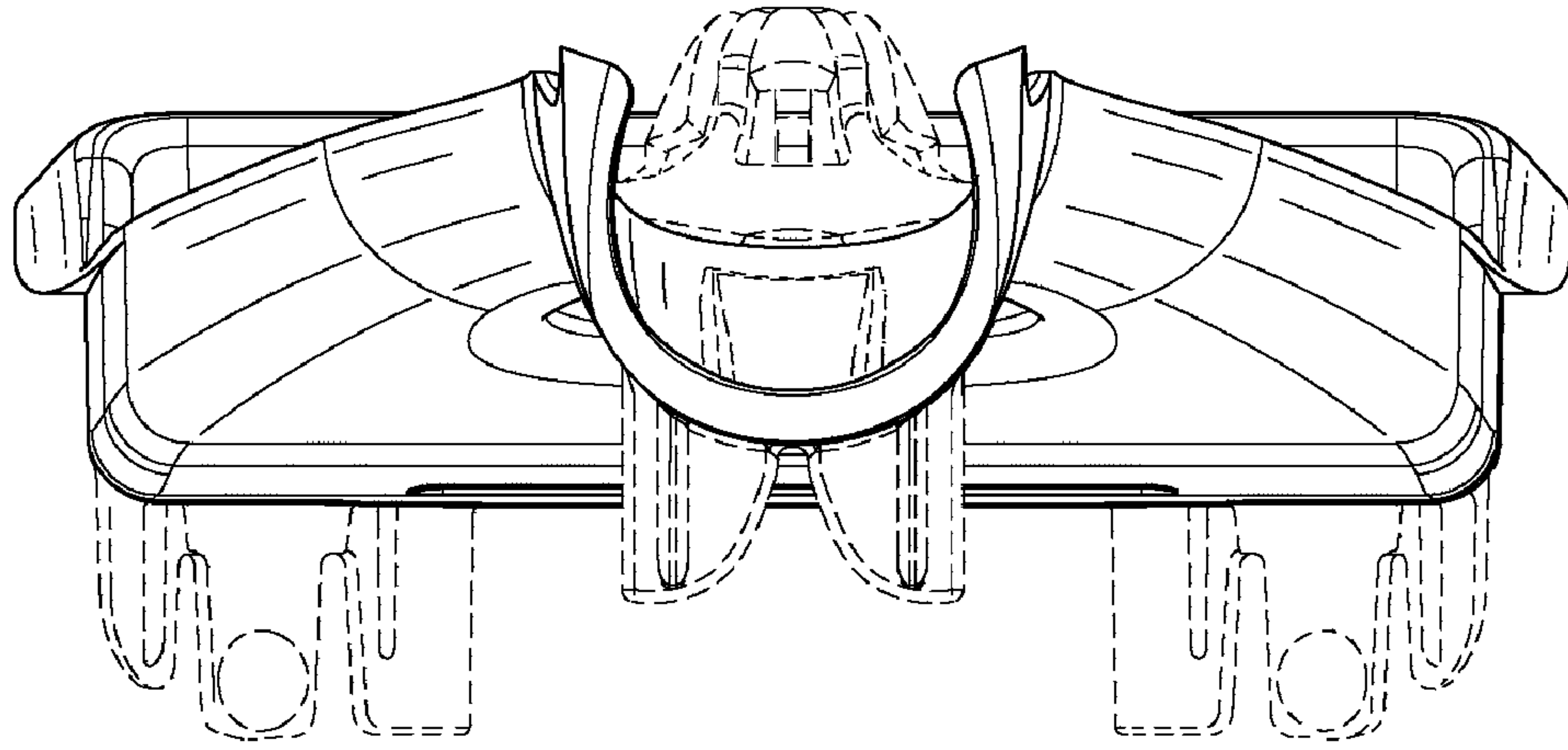
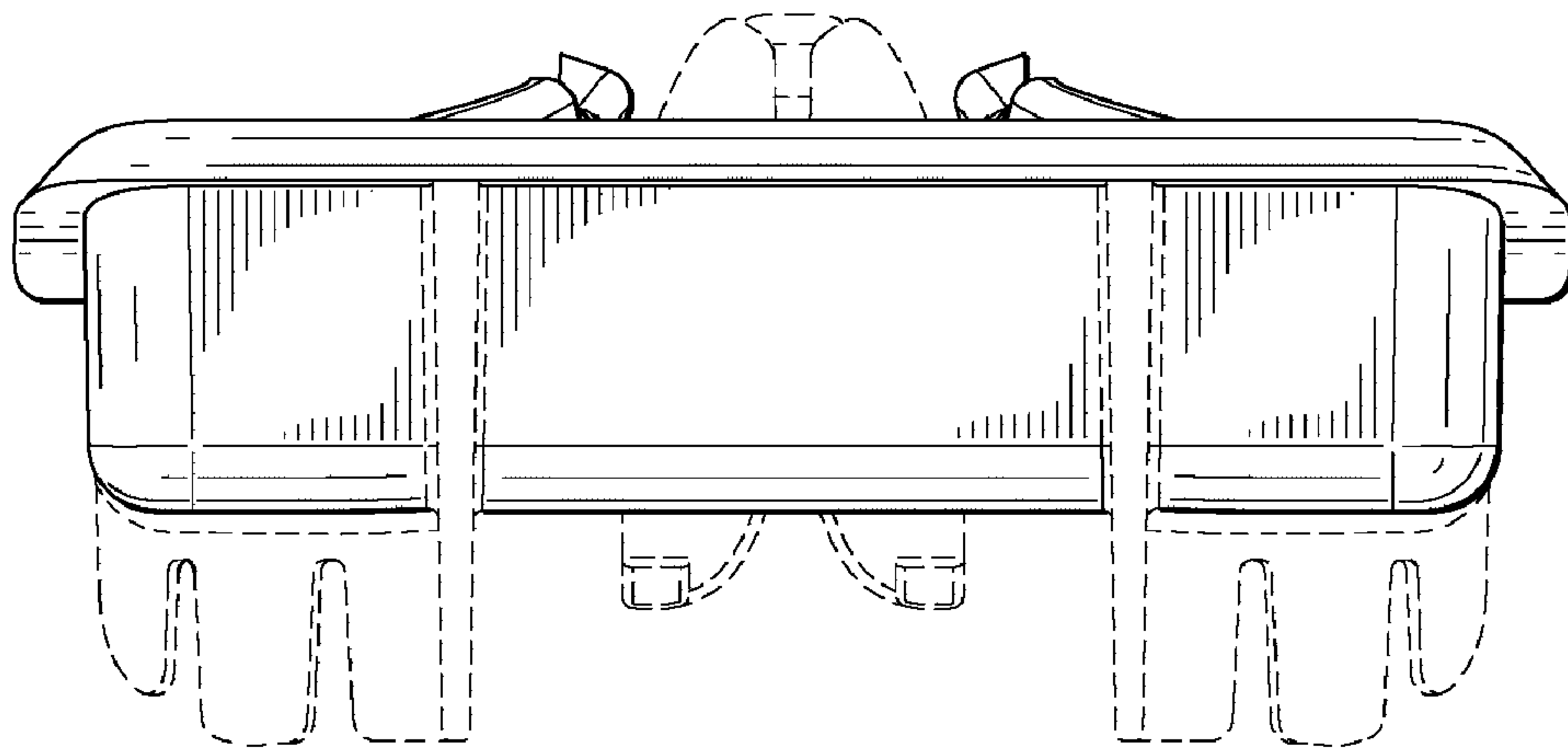


FIG. 3



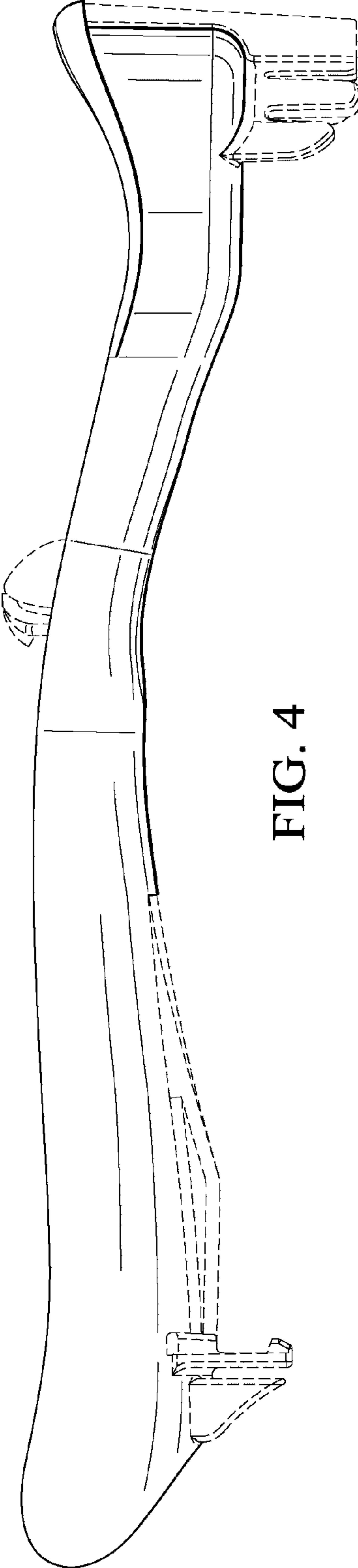


FIG. 4

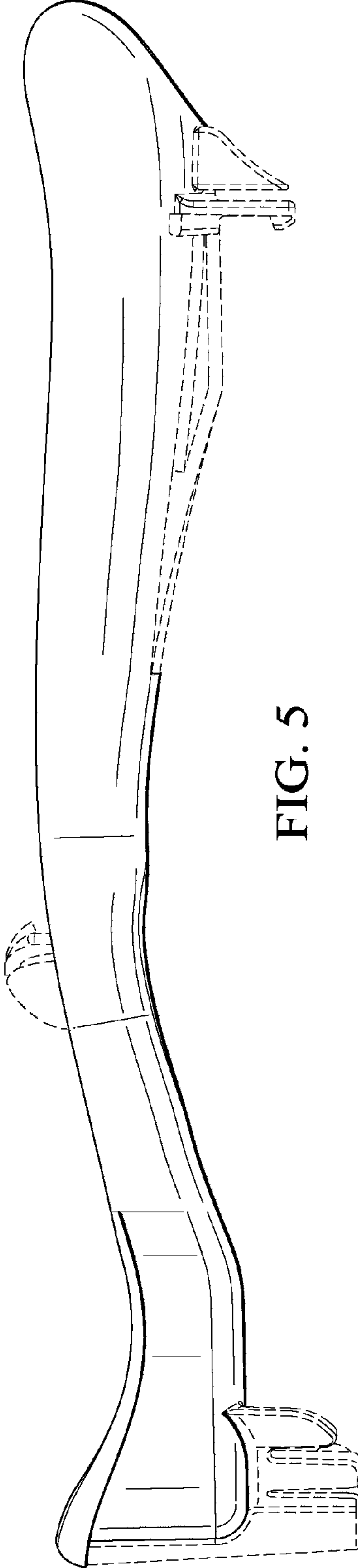


FIG. 5

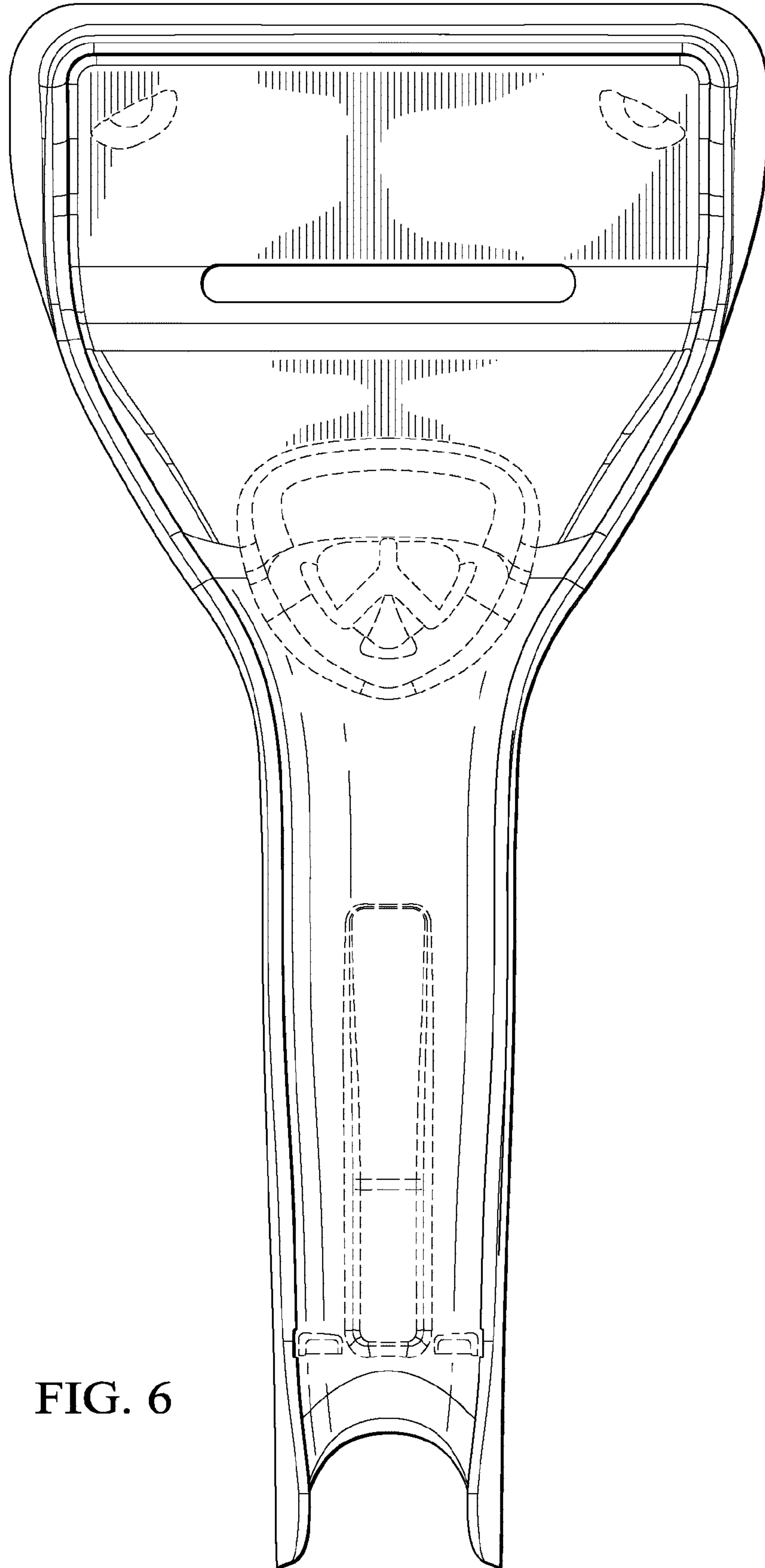


FIG. 6

FIG. 7

