



US00D622150S

(12) **United States Design Patent**  
**Brammann et al.**

(10) **Patent No.:** **US D622,150 S**

(45) **Date of Patent:** **\*\* Aug. 24, 2010**

(54) **COMBINED NOZZLE MOUNTING AND CONTAINER UNIT**

(75) Inventors: **John Henning Brammann**, Nordborg (DK); **Søren Hansen**, Sønderborg (DK)

(73) Assignee: **Danfoss A/S**, Nordborg (DE)

(\*\*) Term: **14 Years**

(21) Appl. No.: **29/297,557**

(22) Filed: **Nov. 14, 2007**

(30) **Foreign Application Priority Data**

May 15, 2007 (EM) ..... 000723267

(51) **LOC (9) Cl.** ..... **09-01**

(52) **U.S. Cl.** ..... **D9/529; D9/556**

(58) **Field of Classification Search** ..... D9/682-694, D9/715, 719, 723-729, 516-575, 414, 424, D9/426, 429, 435, 436, 450, 452-454; D28/76, D28/77, 85-91, 91.1; 215/379-385; 220/4.04-4.07, 220/4.21, 4.26, 4.27, 376, 377, 602, 660, 220/662, 665, 669-675; 222/129, 135, 153.01, 222/153.03, 153.04, 153.09, 153.11-153.14, 222/182, 631, 635, 209, 211-213, 215, 321.7-321.9, 222/372, 373, 378, 379, 383.1, 384-386, 222/398, 400.7, 400.8, 401, 402.1-402.25  
See application file for complete search history.

(56) **References Cited**

**U.S. PATENT DOCUMENTS**

664,185 A \* 12/1900 Stran ..... 220/673  
D44,163 S \* 6/1913 Baxter et al. .... D9/529

D69,468 S \* 2/1926 Vogler ..... D9/529  
D85,917 S \* 1/1932 Dryden ..... D9/529  
D134,829 S \* 1/1943 Brown ..... D27/174  
2,706,065 A \* 4/1955 Stone ..... 220/789  
3,123,205 A \* 3/1964 Ehram ..... 206/137  
3,322,262 A \* 5/1967 Puente ..... 206/398  
D218,222 S \* 8/1970 Liebson ..... D9/529  
D260,858 S \* 9/1981 Courreges ..... D9/545  
D279,456 S \* 7/1985 Fortuna ..... D9/529  
D281,054 S \* 10/1985 Menrad ..... D9/688  
D284,940 S \* 8/1986 Fortuna et al. .... D9/500  
D307,868 S \* 5/1990 Van Sumeren ..... D9/428  
D348,333 S \* 6/1994 Perrin et al. .... D28/91.1  
D518,382 S \* 4/2006 McGuinness ..... D9/504  
D574,703 S \* 8/2008 Cassol et al. .... D9/416

\* cited by examiner

*Primary Examiner*—Catherine Tuttle

(74) *Attorney, Agent, or Firm*—McCormick, Paulding & Huber LLP

(57) **CLAIM**

The ornamental design for a combined nozzle mounting and container unit, as shown and described.

**DESCRIPTION**

FIG. 1 is a top view of the combined nozzle mounting and container unit showing our new design;

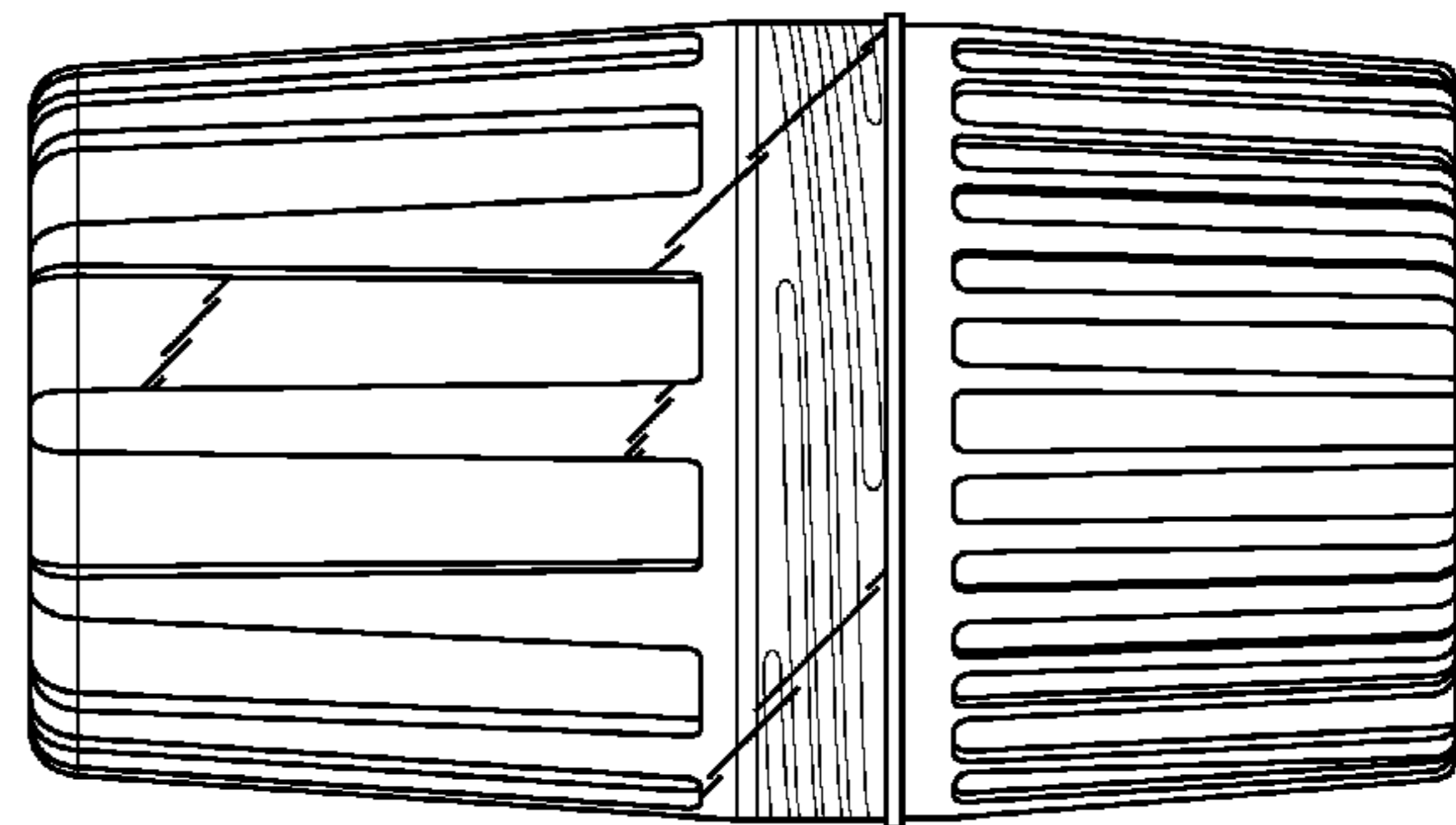
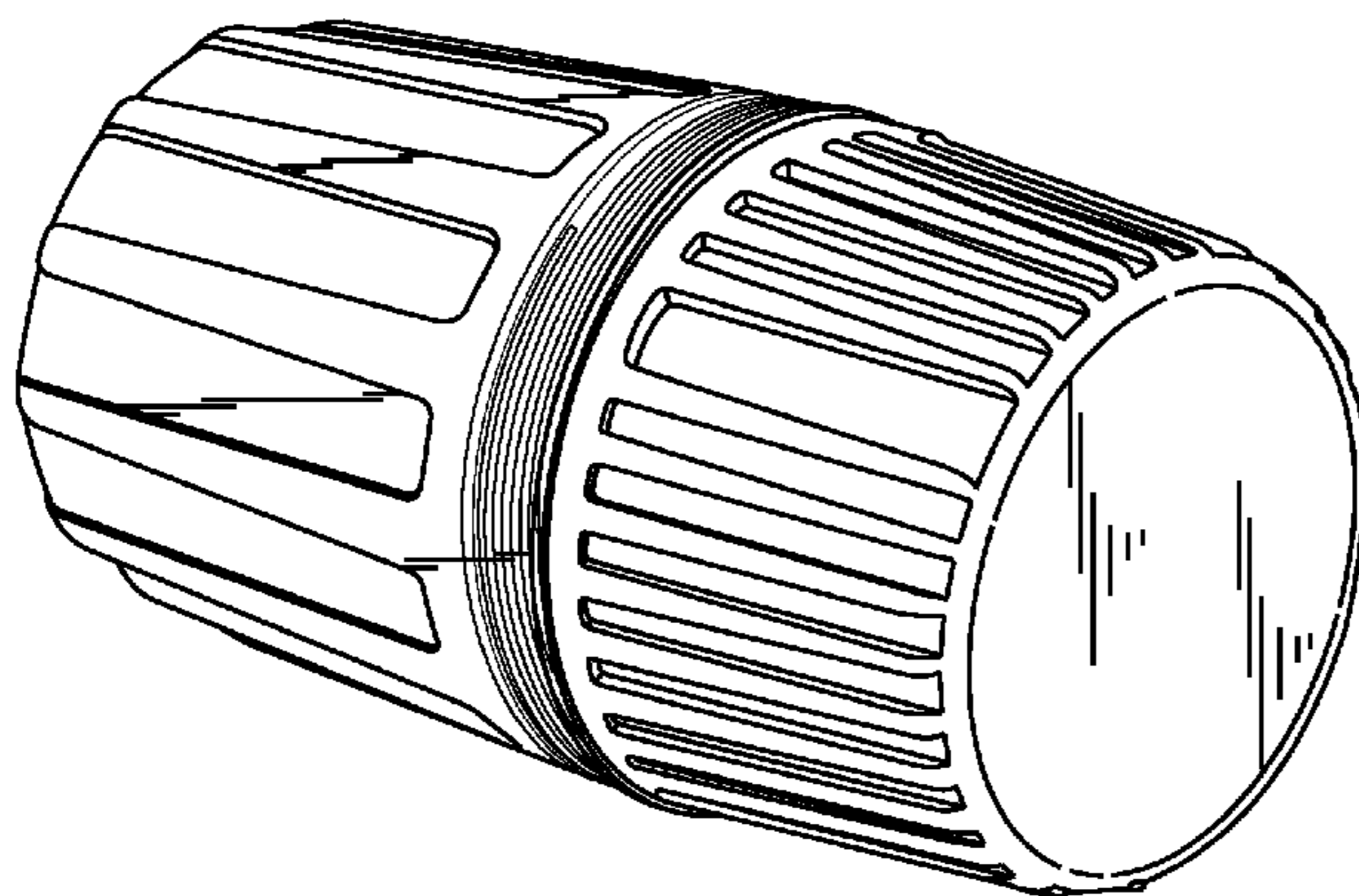
FIG. 2 is a bottom view thereof;

FIG. 3 is a top, left-hand side perspective view thereof;

FIG. 4 is right-hand side view thereof; and,

FIG. 5 is a left-hand side view thereof.

**1 Claim, 2 Drawing Sheets**



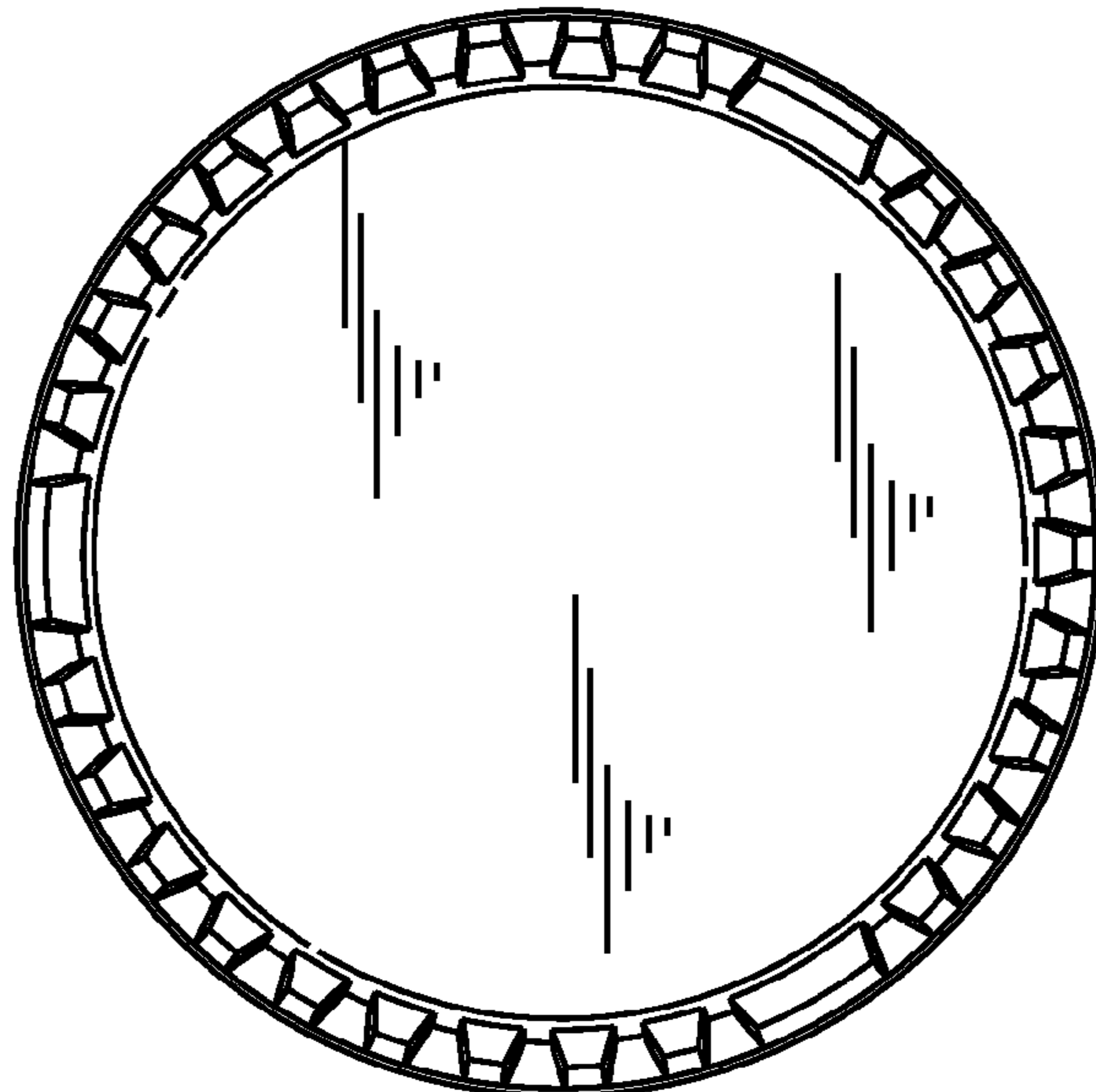


FIG. 1

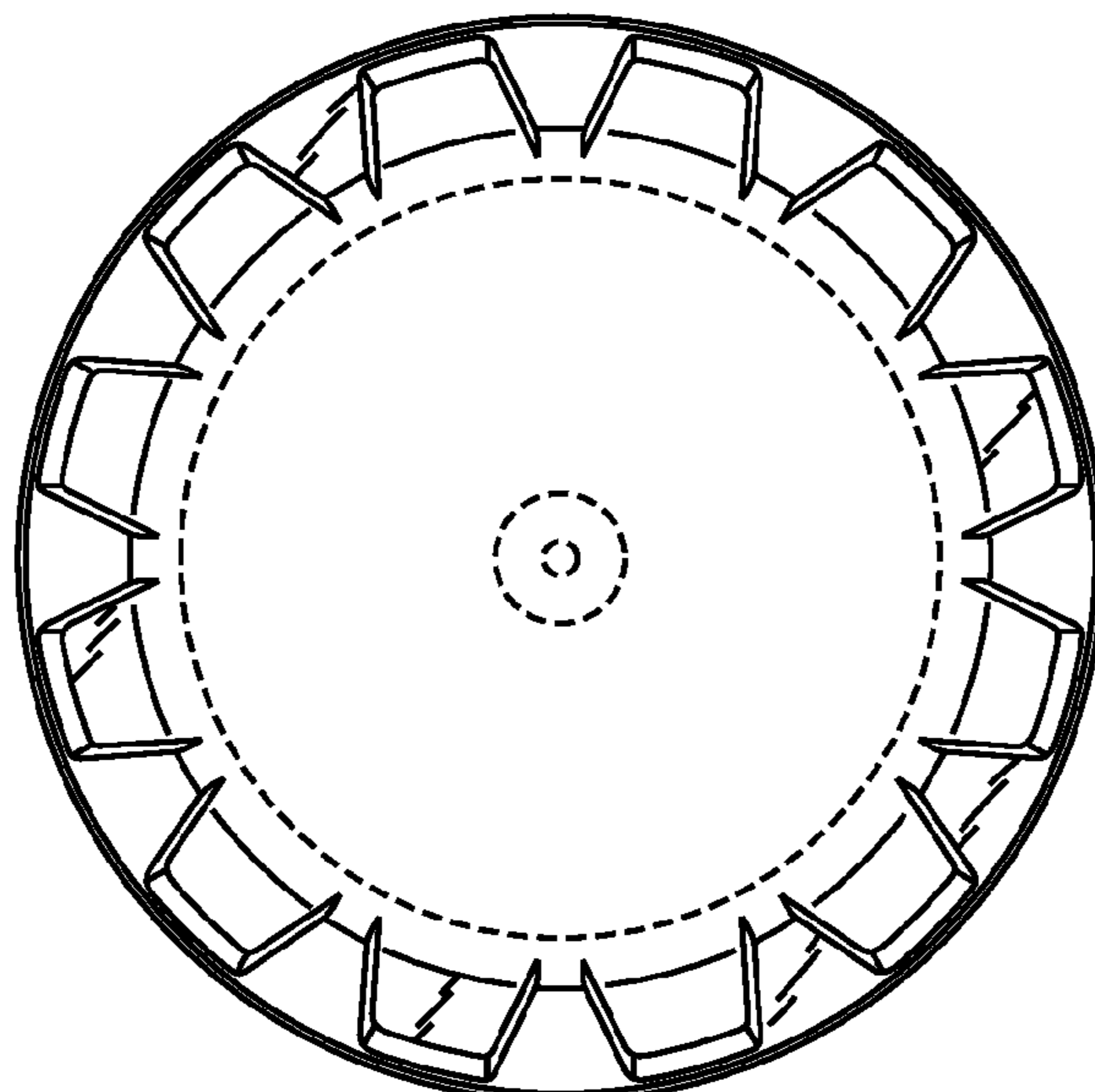


FIG. 2

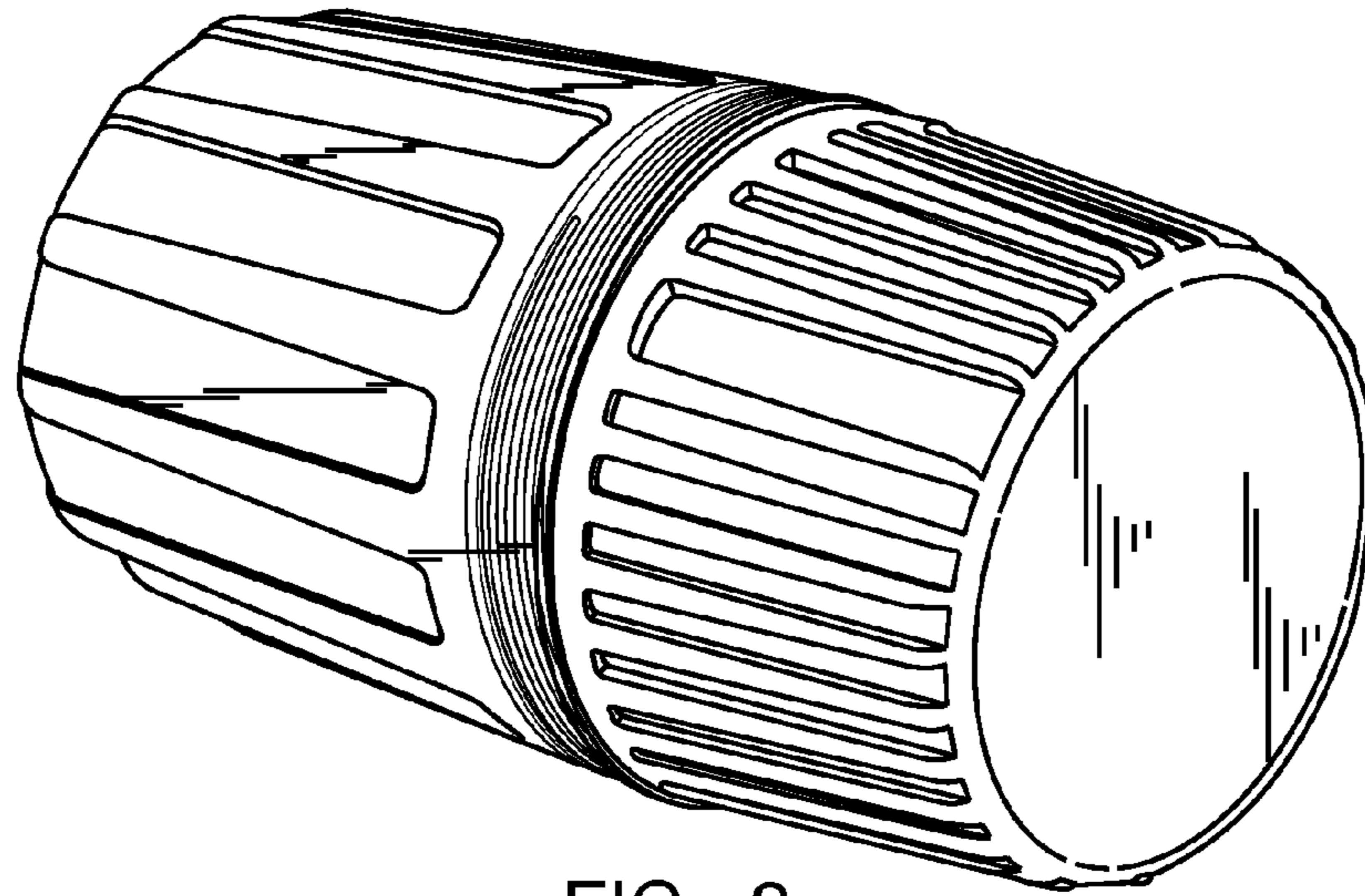


FIG. 3

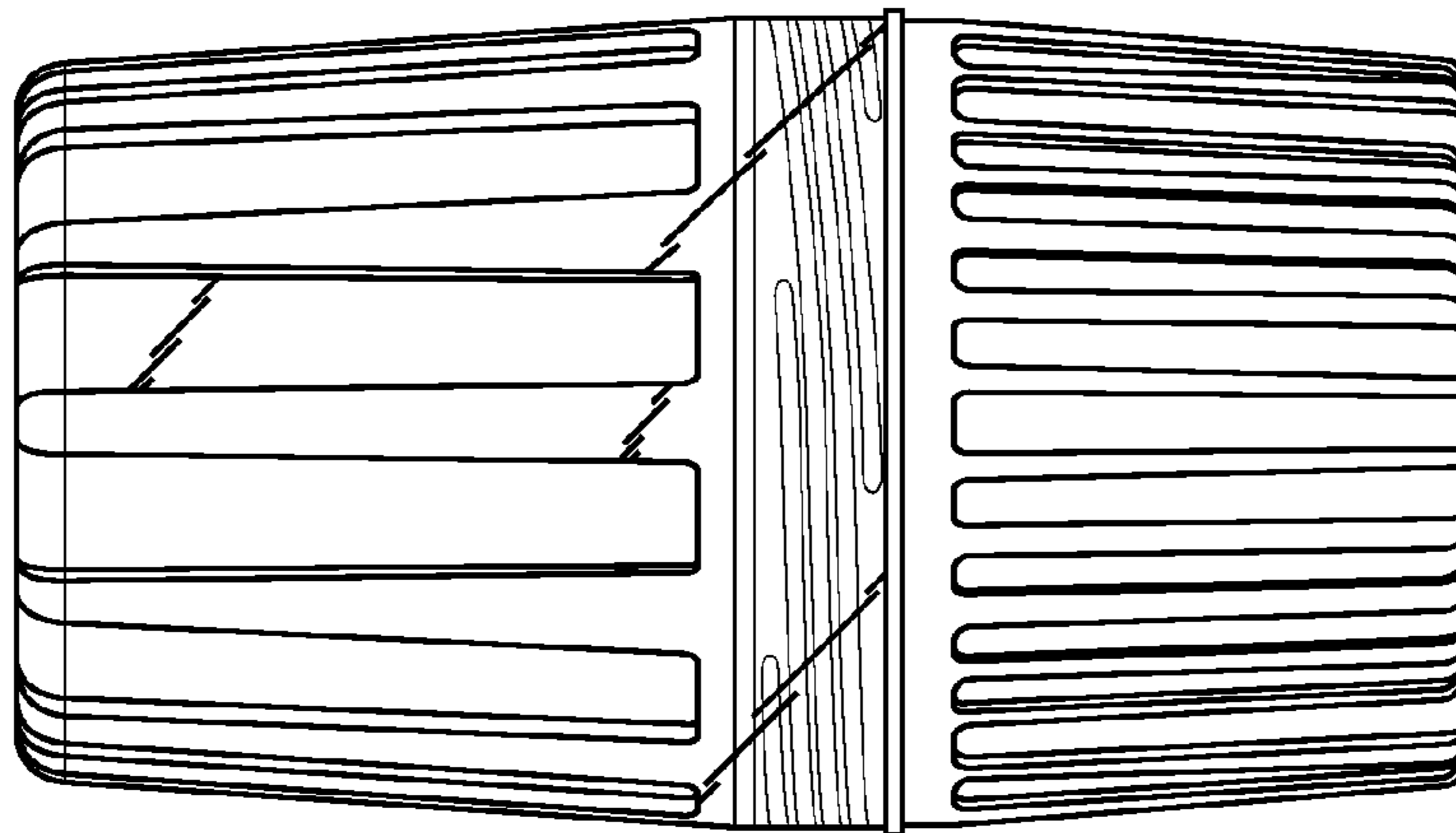


FIG. 4

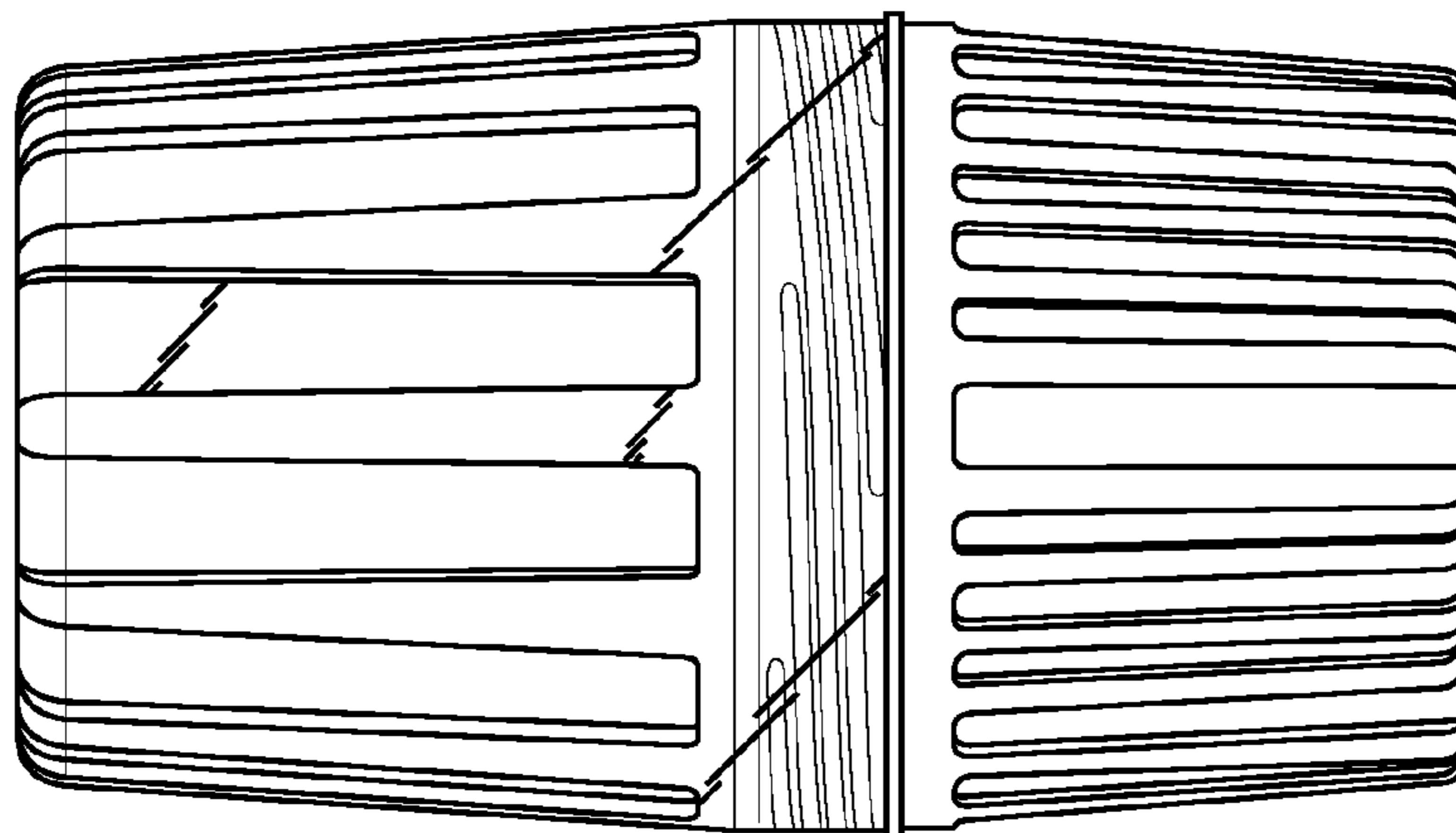


FIG. 5