



US00D622144S

(12) **United States Design Patent**  
**Nakano**

(10) **Patent No.:** **US D622,144 S**

(45) **Date of Patent:** **\*\* Aug. 24, 2010**

(54) **PACKAGING AMPULE**

D401,158 S \* 11/1998 Bakic ..... D9/574

(75) Inventor: **Hideshi Nakano**, Osaka (JP)

\* cited by examiner

(73) Assignee: **Nippon Zoki Pharmaceutical Co., Ltd.**,  
Osaka (JP)

*Primary Examiner*—Susan Bennett Hattan

(74) *Attorney, Agent, or Firm*—Oliff & Berridge, PLC

(\*\*) Term: **14 Years**

(57) **CLAIM**

(21) Appl. No.: **29/343,281**

The ornamental design for a packaging ampule, as shown and described.

(22) Filed: **Sep. 10, 2009**

**DESCRIPTION**

(30) **Foreign Application Priority Data**

Mar. 10, 2009 (JP) ..... 2009-005302

FIG. 1 is a front view of a packaging ampule, the rear view being identical to the front view;

(51) **LOC (9) Cl.** ..... **09-07**

FIG. 2 is a left-side view thereof, the right-side view being identical to the left-side view;

(52) **U.S. Cl.** ..... **D9/454; D9/426**

FIG. 3 is a top view thereof;

(58) **Field of Classification Search** ..... D9/529,  
D9/521, 454, 452, 447, 445, 435, 530, 453,  
D9/724, 448, 538, 438; 220/200, 806, 716,  
220/258.2, 257.1; 215/200, 261, 260; 222/520,  
222/521, 212

FIG. 4 is a bottom view thereof;

FIG. 5 is a cross-sectional view thereof taken along the line 5—5 of FIG. 1;

See application file for complete search history.

FIG. 6 is a cross-sectional view thereof taken along the line 6—6 of FIG. 2; and,

FIG. 7 is a perspective view thereof.

(56) **References Cited**

The broken lines depict environmental subject matter only and form no part of the claimed design.

**U.S. PATENT DOCUMENTS**

D60,472 S \* 2/1922 Smith ..... D9/573  
D216,002 S \* 11/1969 Stone ..... D9/445

**1 Claim, 6 Drawing Sheets**

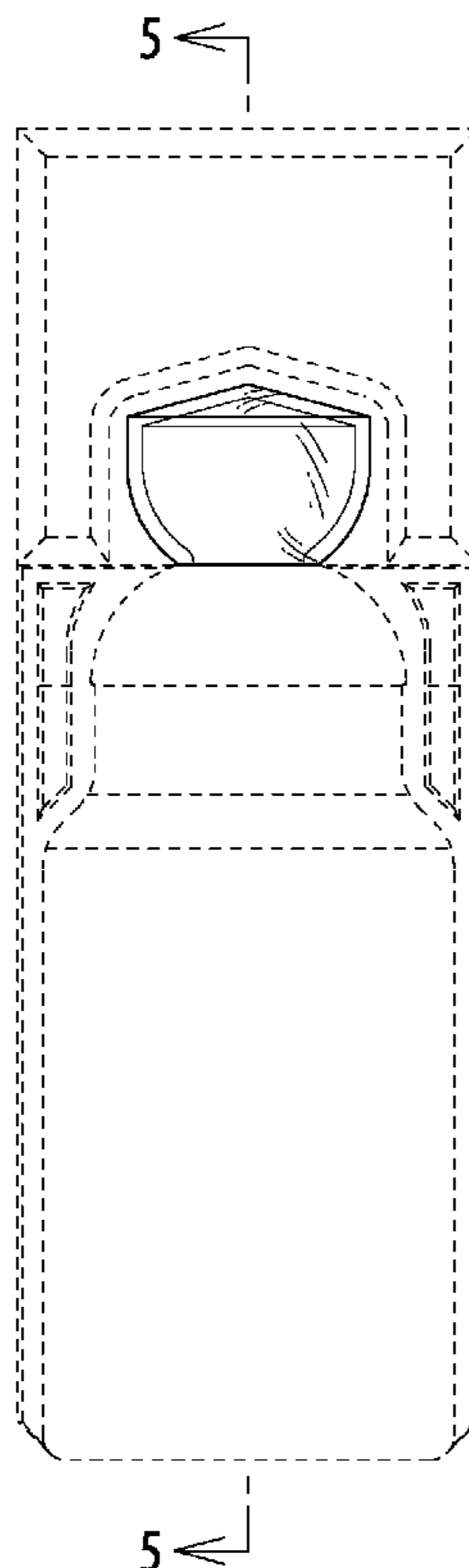


FIG. 1

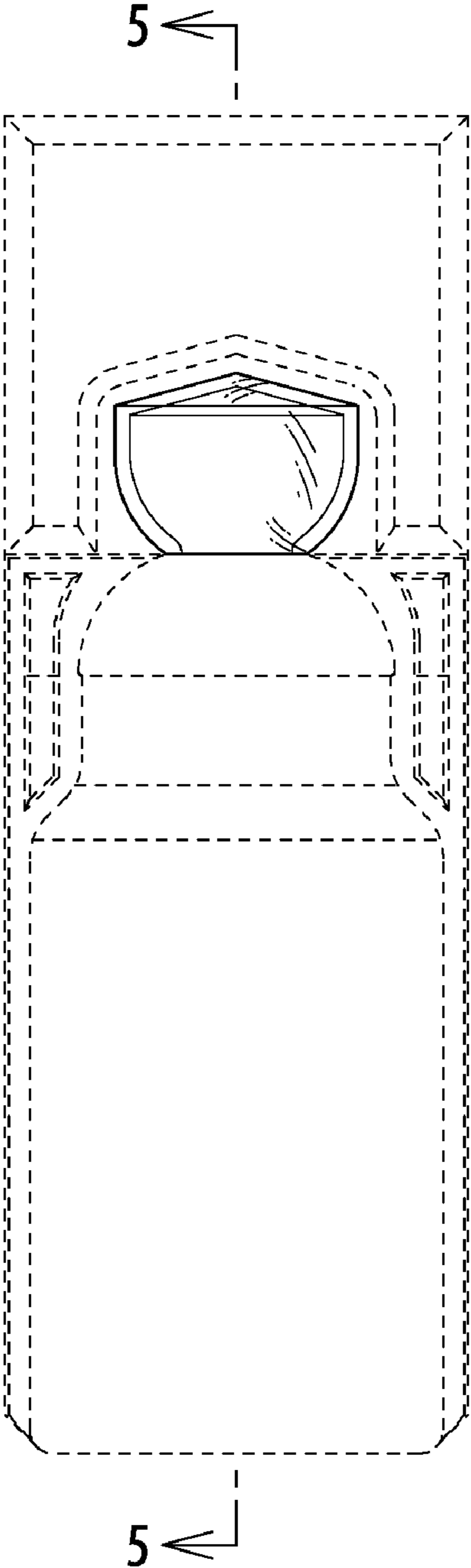


FIG. 2

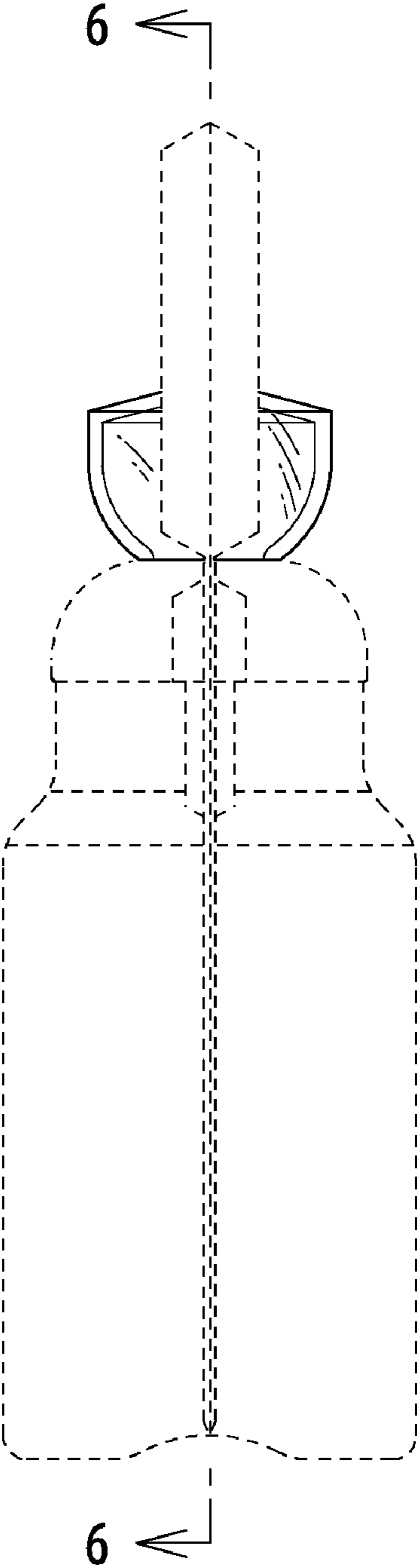


FIG. 3

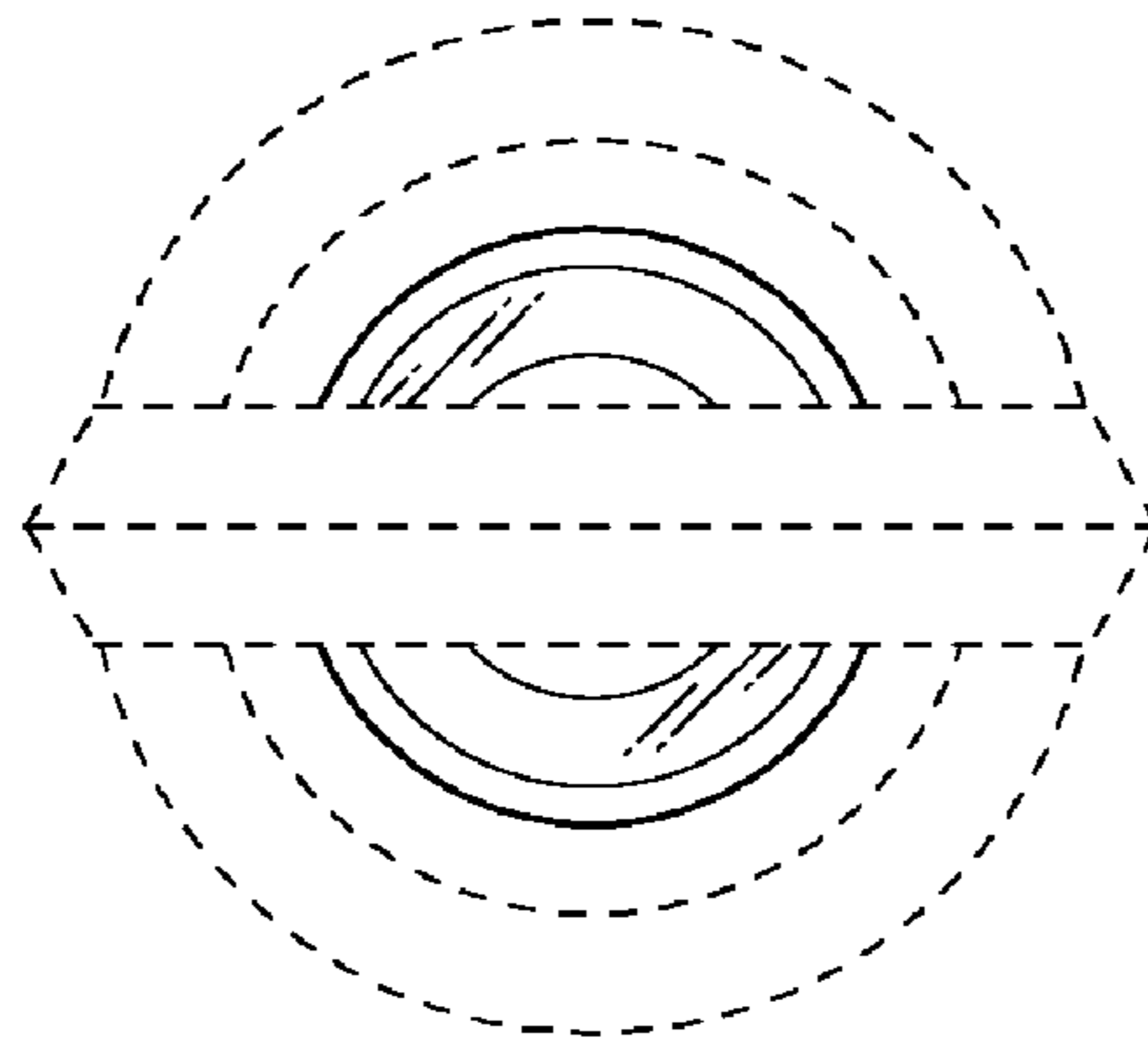


FIG. 4

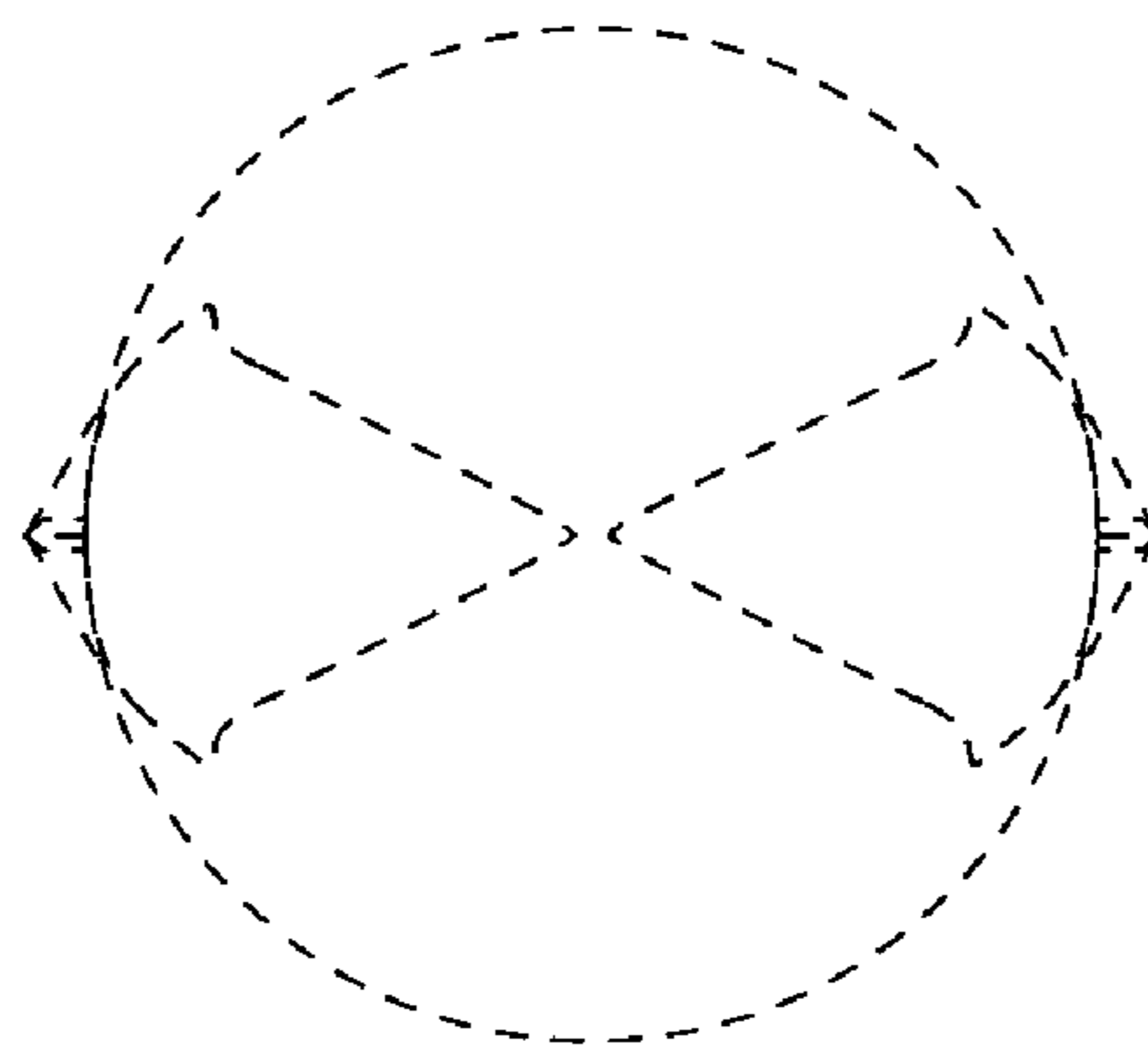


FIG. 5

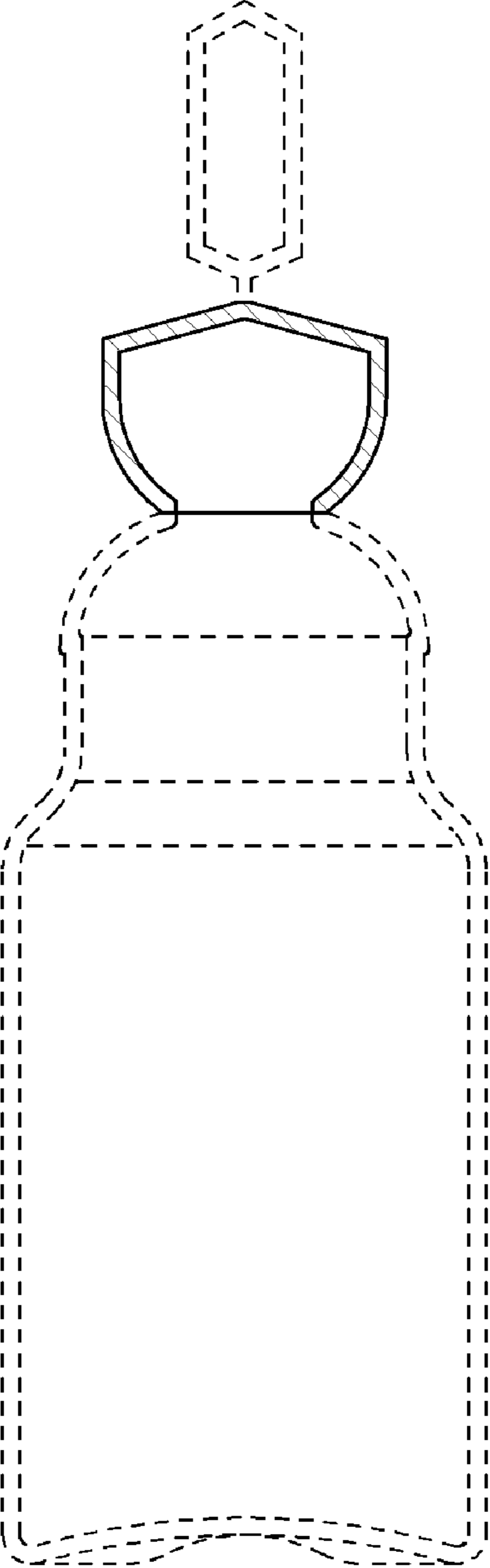


FIG. 6

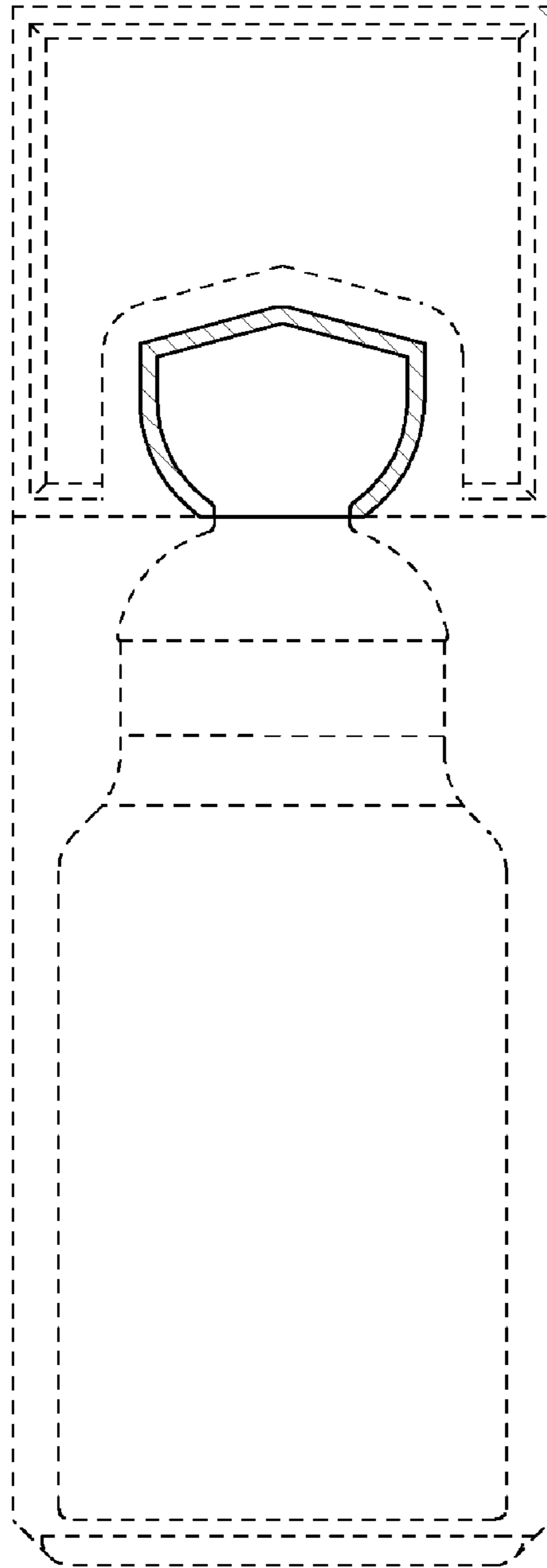


FIG. 7

