



US00D622143S

(12) **United States Design Patent**
Hildebrand

(10) **Patent No.:** **US D622,143 S**

(45) **Date of Patent:** **** Aug. 24, 2010**

(54) **TRIGGER SPRAYER**

(75) Inventor: **George R. Hildebrand**, Independence, MO (US)

(73) Assignee: **Meadwestvaco Calmar, Inc.**, Grandview, MO (US)

(**) Term: **14 Years**

(21) Appl. No.: **29/330,977**

(22) Filed: **Jan. 16, 2009**

(51) **LOC (9) Cl.** **09-07**

(52) **U.S. Cl.** **D9/448**

(58) **Field of Classification Search** D9/686,
D9/685, 682, 448; D23/226, 213; 239/428.5,
239/343, 337, 333, 215; 222/402.11, 402.1,
222/383.3, 383.1, 323, 207, 153.11, 1
See application file for complete search history.

(56) **References Cited**

U.S. PATENT DOCUMENTS

D241,543 S *	9/1976	Tada	D23/226
5,373,973 A *	12/1994	Foster	222/324
D475,294 S *	6/2003	Foster et al.	D9/448
D525,123 S *	7/2006	Walters et al.	D9/448
D532,299 S *	11/2006	Kuo	D9/448
D573,021 S *	7/2008	Ohshima	D9/448
D573,463 S *	7/2008	Ohshima	D9/448
D580,760 S *	11/2008	Costa Quintas	D9/448
D583,669 S *	12/2008	Seum et al.	D9/448

D587,575 S *	3/2009	Hildebrand et al.	D9/448
D588,004 S *	3/2009	Hildebrand	D9/448
D588,456 S *	3/2009	Dejong et al.	D9/448
2006/0113329 A1 *	6/2006	Walters et al.	222/383.1
2009/0145928 A1 *	6/2009	De Laforcade	222/153.11

* cited by examiner

Primary Examiner—Susan Bennett Hattan

(74) *Attorney, Agent, or Firm*—MWV Intellectual Property Group

(57) **CLAIM**

I claim the ornamental design for a trigger sprayer, as shown and described.

DESCRIPTION

FIG. 1 is a side view of a trigger sprayer showing the new design for the trigger sprayer;

FIG. 2 is a side view of the trigger sprayer shown in FIG. 1;

FIG. 3 is a front view of the trigger sprayer shown in FIG. 1;

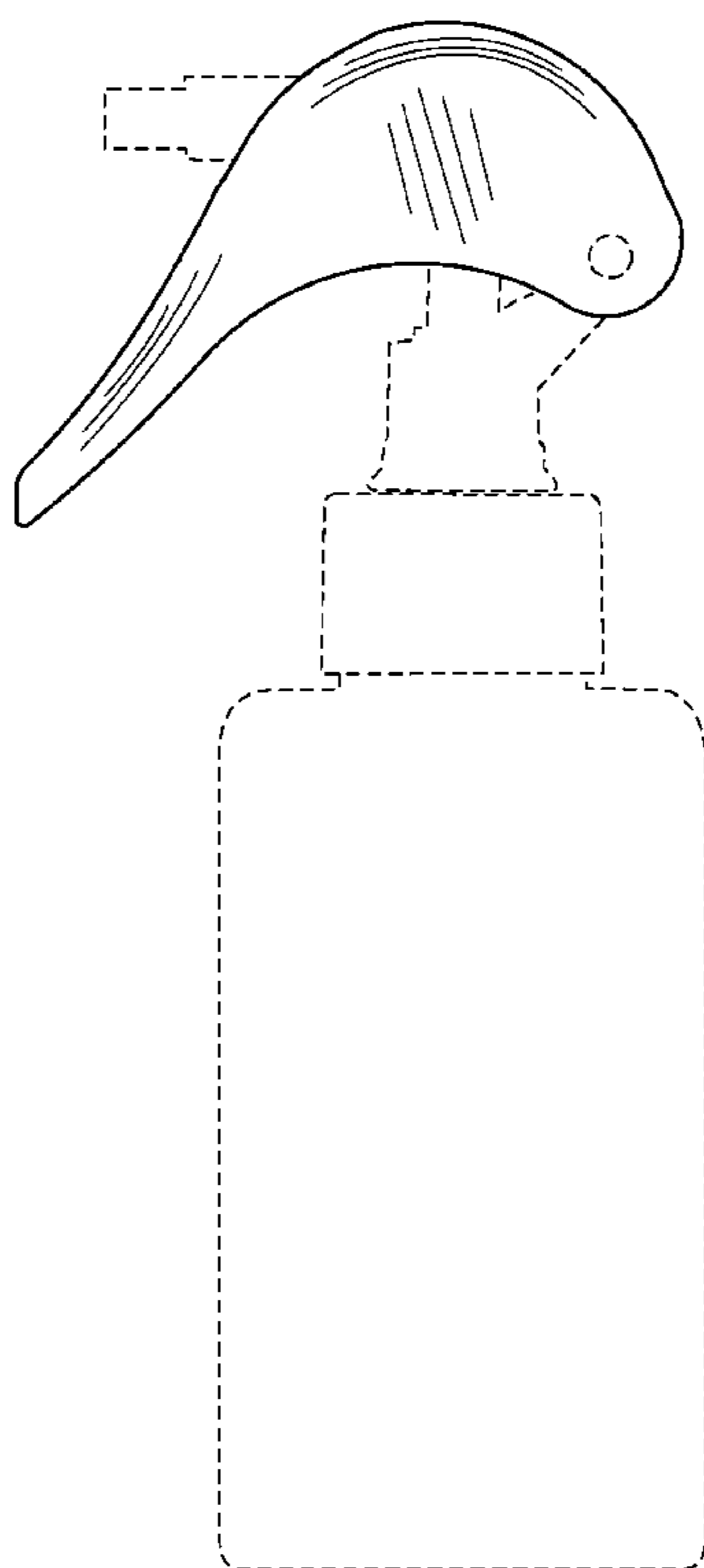
FIG. 4 is a rear view of the trigger sprayer shown in FIG. 1;

FIG. 5 is a top view of the trigger sprayer shown in FIG. 1; and,

FIG. 6 is a perspective view of the trigger sprayer shown in FIG. 1.

The broken line representations in FIGS. 1 through 6 are for illustrative purposes only and form no part of the claimed design.

1 Claim, 4 Drawing Sheets



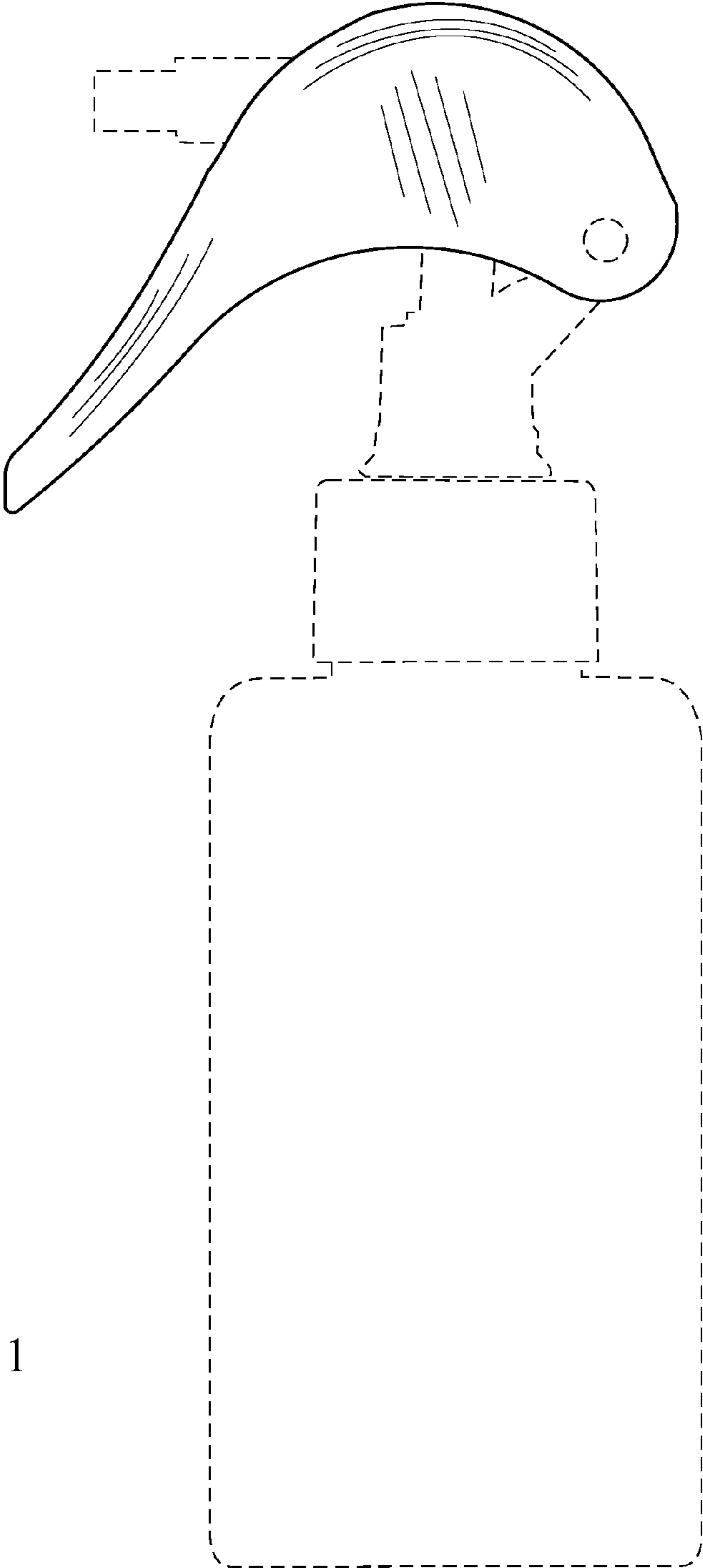


FIG. 1

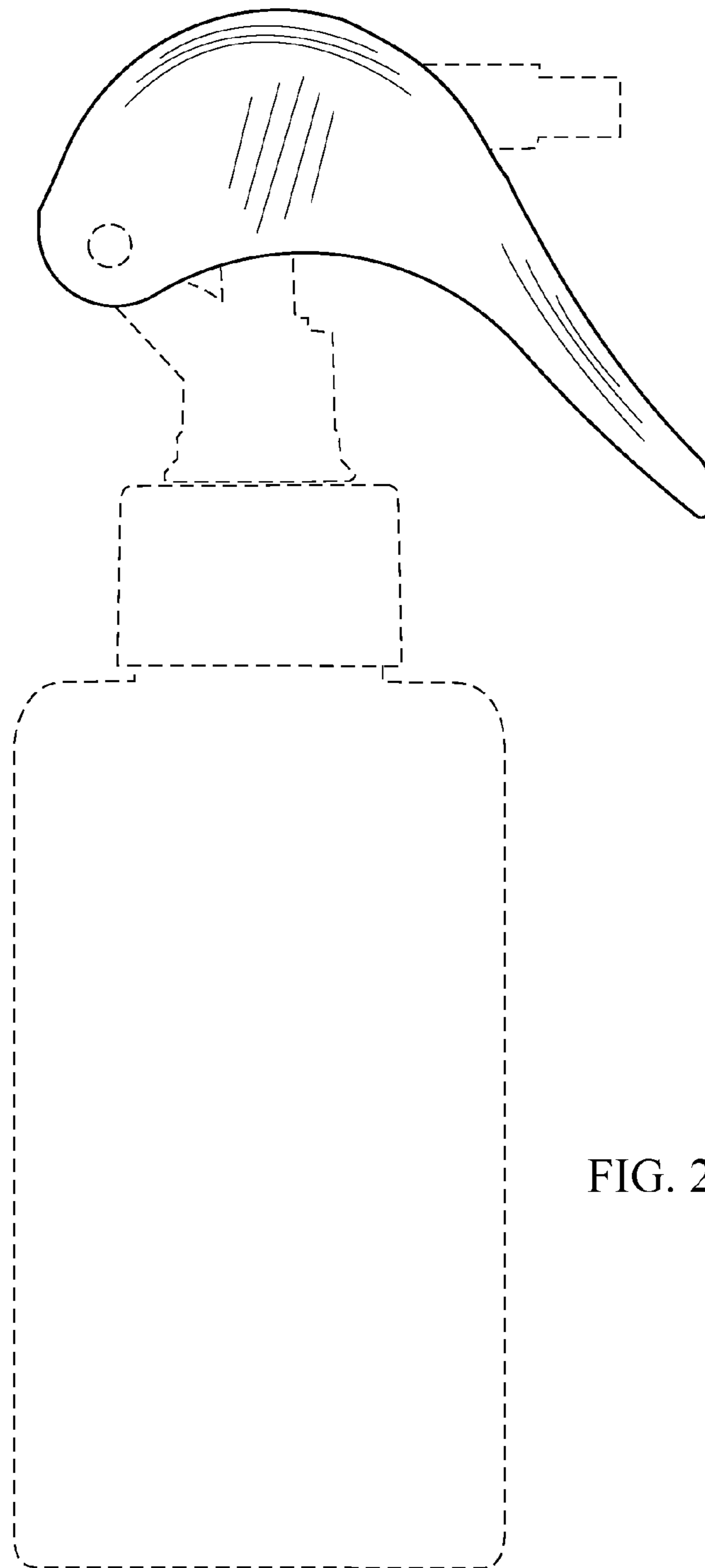


FIG. 2

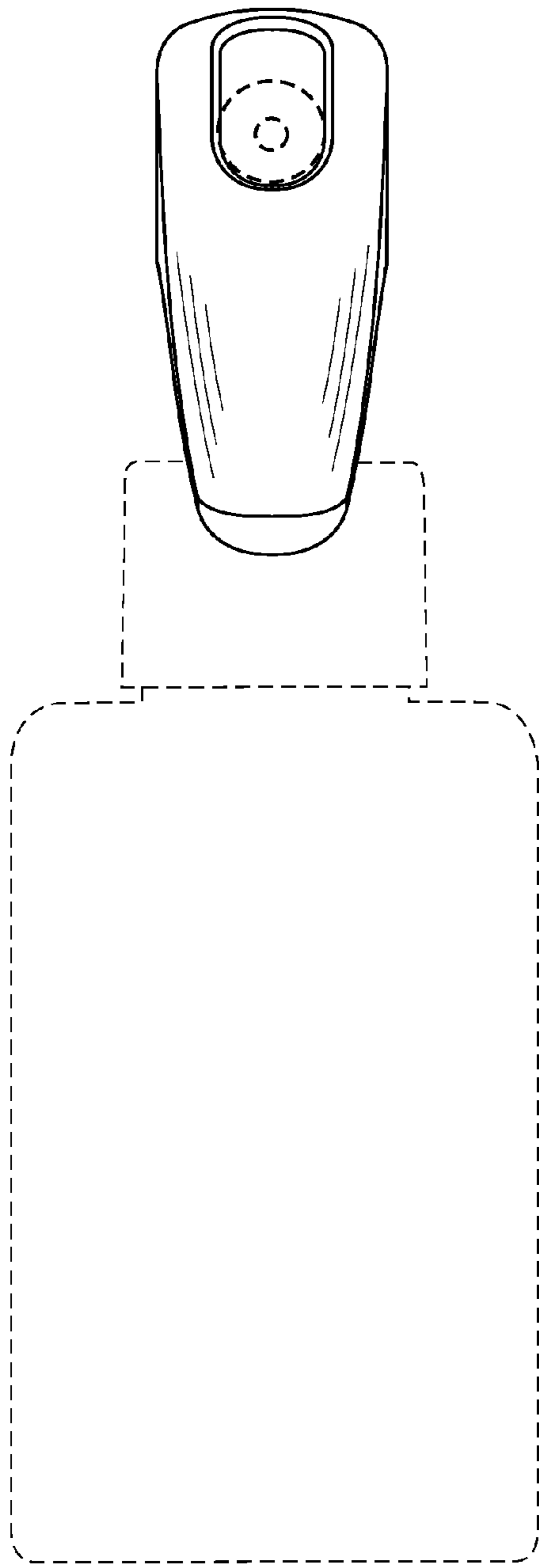


FIG. 3

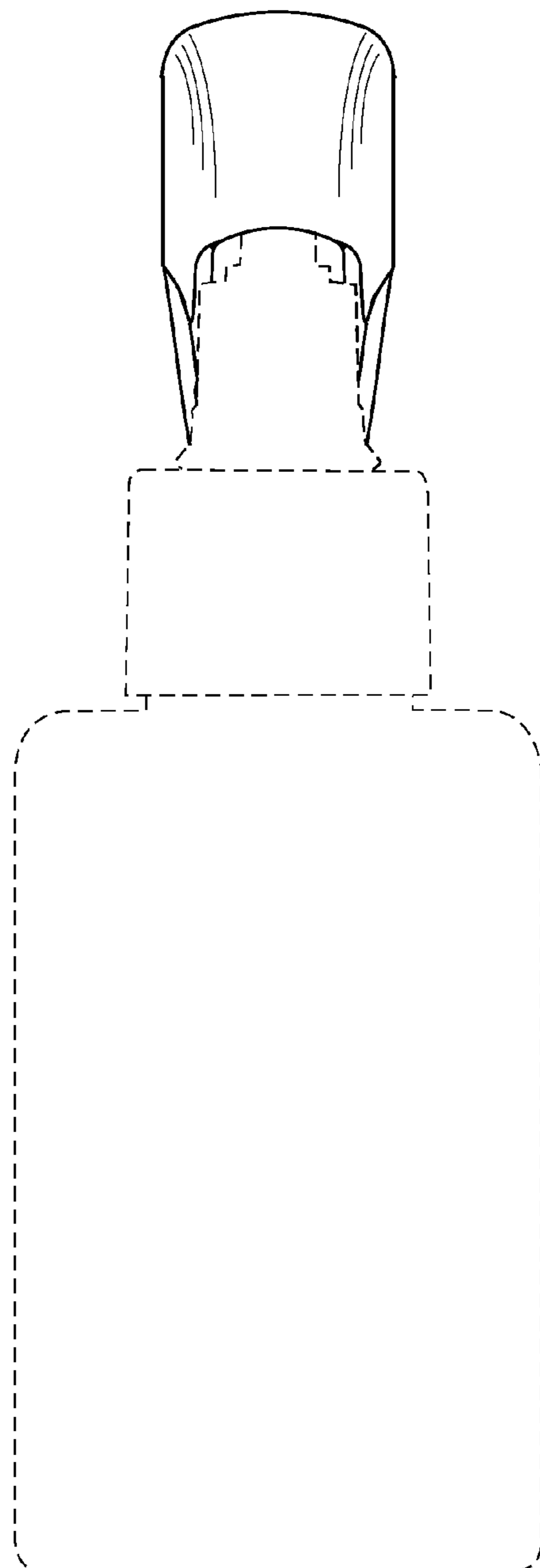


FIG. 4

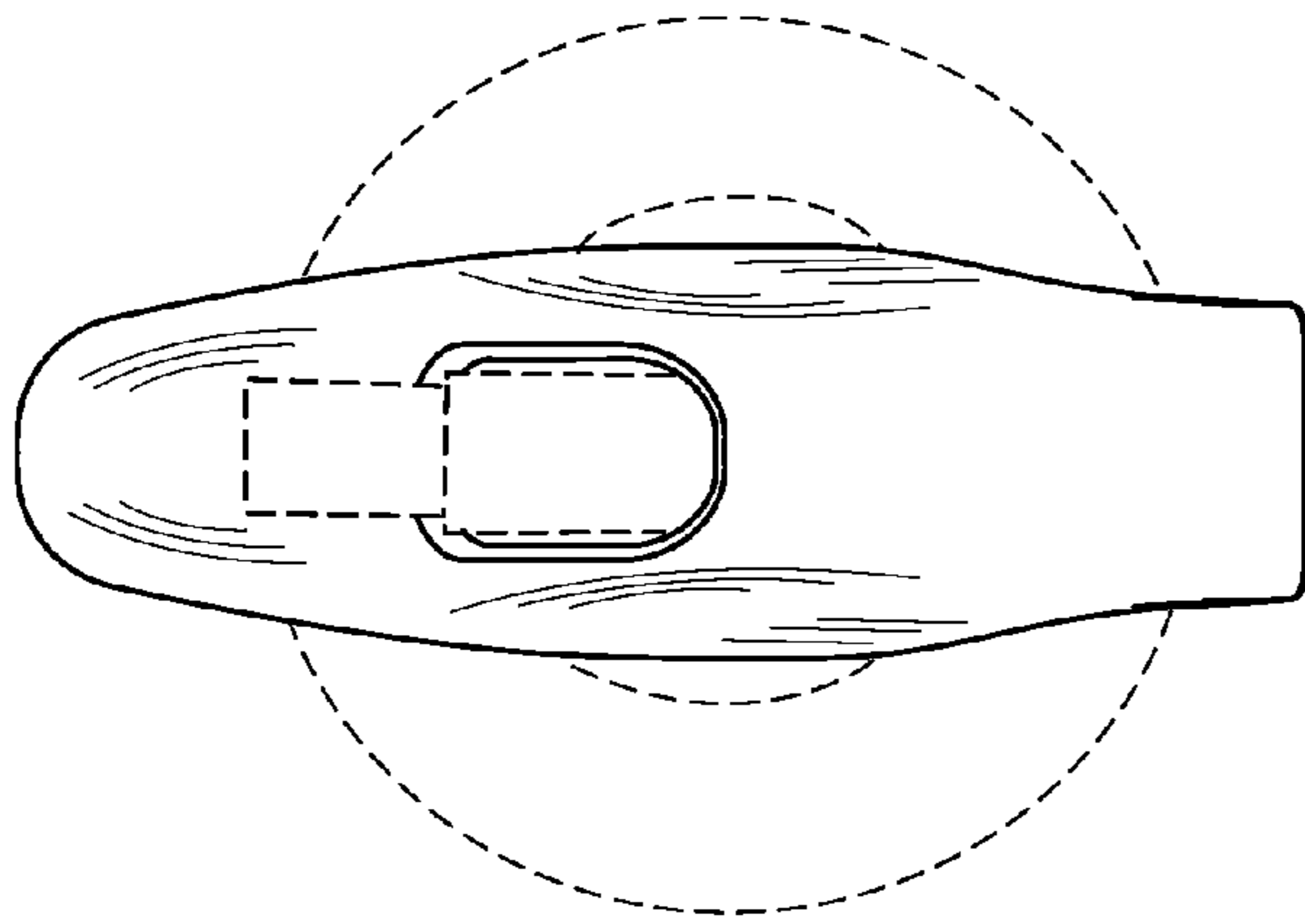


FIG. 5

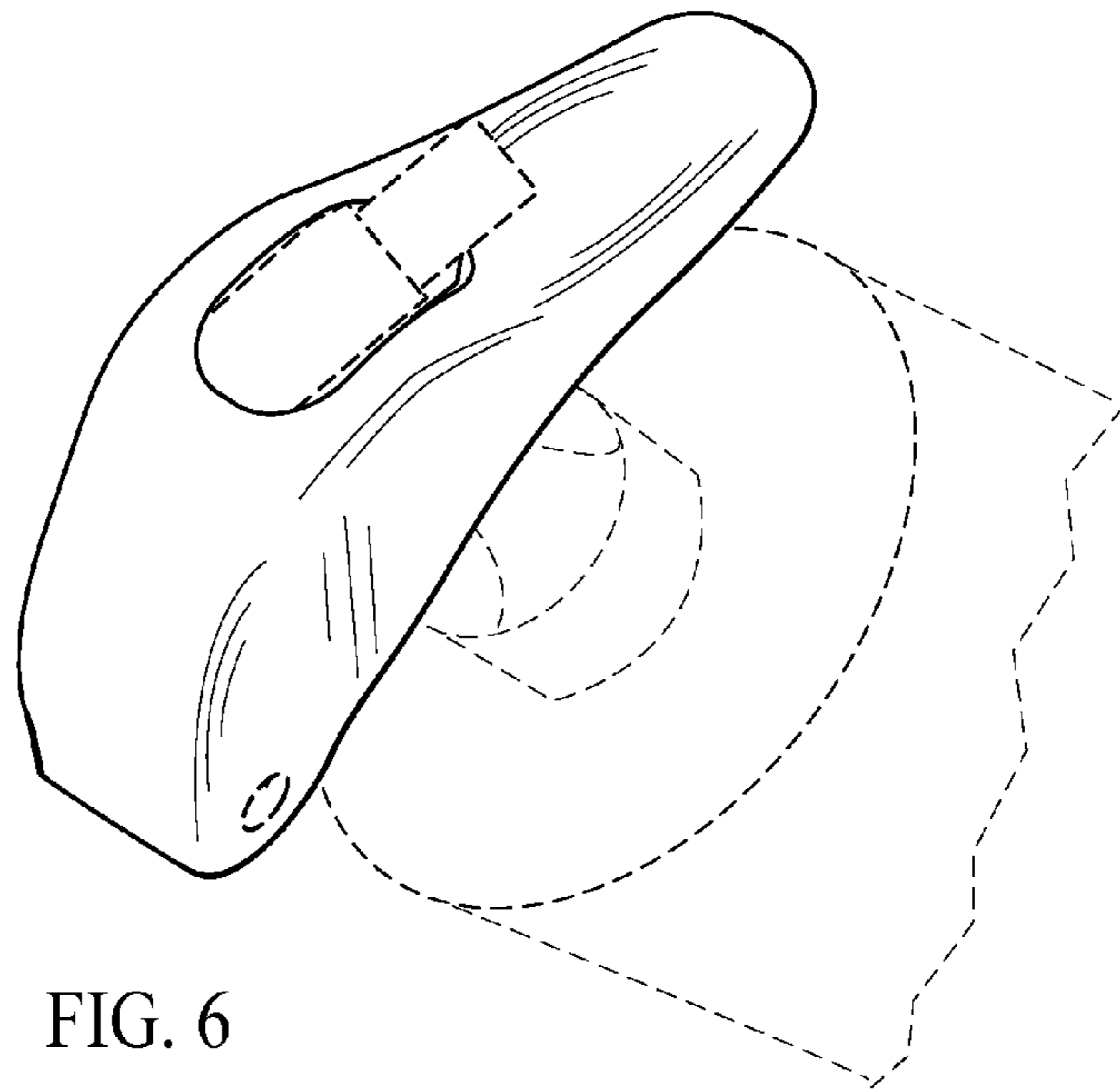


FIG. 6