



US00D622135S

(12) **United States Design Patent**
Kubic

(10) **Patent No.:** **US D622,135 S**

(45) **Date of Patent:** **** Aug. 24, 2010**

(54) **SUPPORT BRACKET**

(76) Inventor: **David Kubic**, 195 General Rogers Rd.,
Charlestown, WV (US) 25414

(**) Term: **14 Years**

(21) Appl. No.: **29/332,914**

(22) Filed: **Feb. 27, 2009**

(51) **LOC (9) Cl.** **08-05**

(52) **U.S. Cl.** **D8/381**

(58) **Field of Classification Search** D8/349,
D8/354, 356, 366, 373, 380, 382, 394, 395,
D8/381, 363, 367, 403; D6/572-574; D25/102,
D25/112, 119, 122, 162, 141; 52/506.06-506.08,
52/665, 712-715; 292/346; 108/85; 248/264,
248/265, 200, 243-247, 205.1; 137/355.23,
137/355.27; 104/113

See application file for complete search history.

(56) **References Cited**

U.S. PATENT DOCUMENTS

4,183,488	A *	1/1980	Shepard	248/247
D466,394	S *	12/2002	Neider et al.	D8/354
D484,029	S *	12/2003	Bainbridge	D8/380
D504,609	S *	5/2005	Ferguson	D8/380
D610,439	S *	2/2010	Wood	D8/381
7,703,732	B2 *	4/2010	Dantuono	D8/381

* cited by examiner

Primary Examiner—Melody N Brown

(74) *Attorney, Agent, or Firm*—Edell, Shapiro & Finnan LLC

(57) **CLAIM**

The ornamental design for a support bracket, as shown and described.

DESCRIPTION

FIG. 1 is a perspective view of a support bracket according to the invention;

FIG. 2 is a top view of the support bracket of FIG. 1;

FIG. 3 is a bottom view of the support bracket of FIG. 1;

FIG. 4 is a left side view of the support bracket of FIG. 1;

FIG. 5 is a right side view of the support bracket of FIG. 1;

FIG. 6 is a front view of the support bracket of FIG. 1;

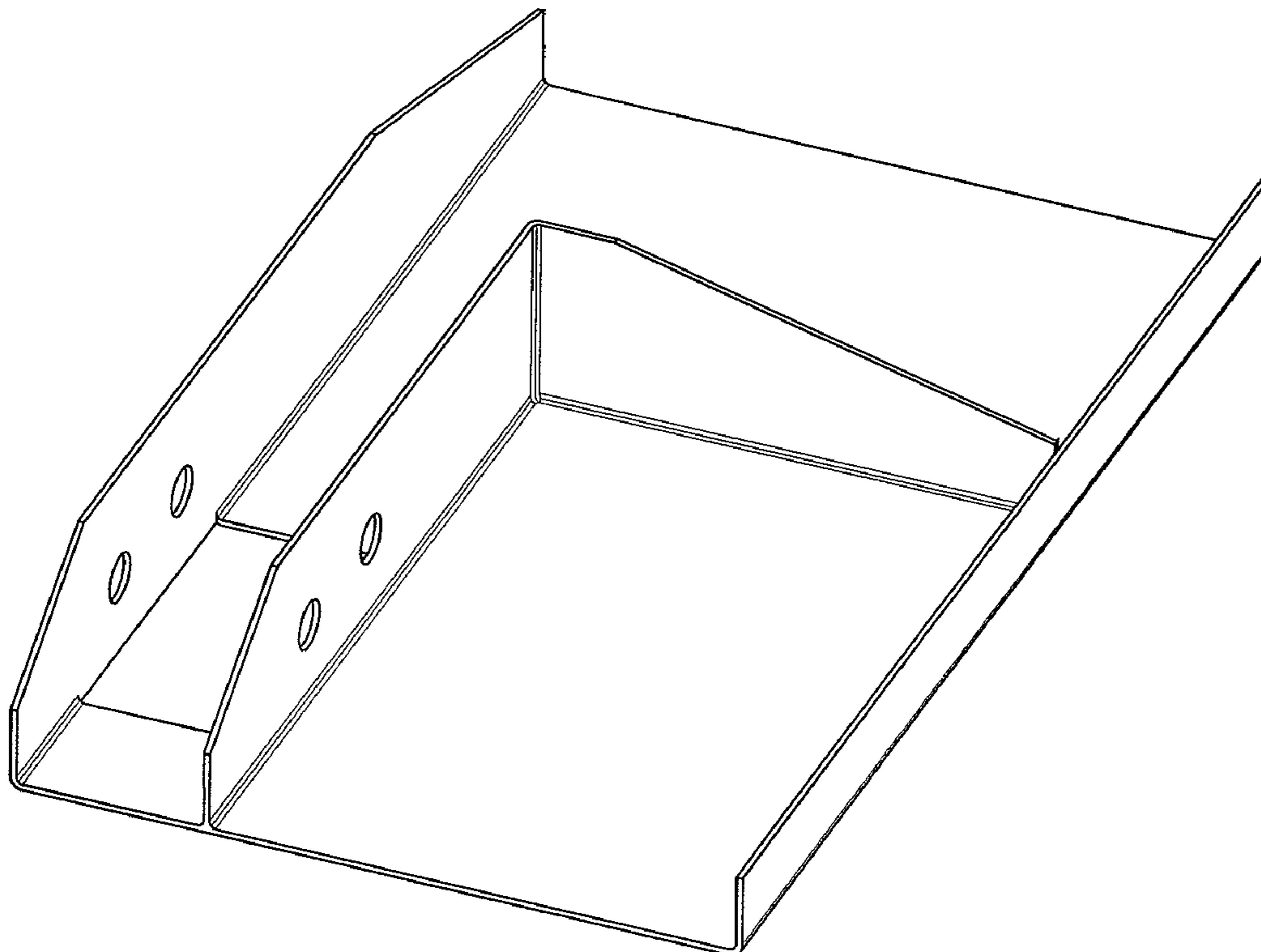
FIG. 7 is a rear view of the support bracket of FIG. 1;

FIG. 8 is a perspective view of the support bracket of FIG. 1 shown on the underside of a flooring panel and with a support leg and pin shown in broken lines; and,

FIG. 9 is another perspective view of FIG. 8.

The broken line drawings of the flooring panel, support leg and pin in FIG. 8 and FIG. 9 are for illustrative purposes only and form no part of the claimed design.

1 Claim, 6 Drawing Sheets



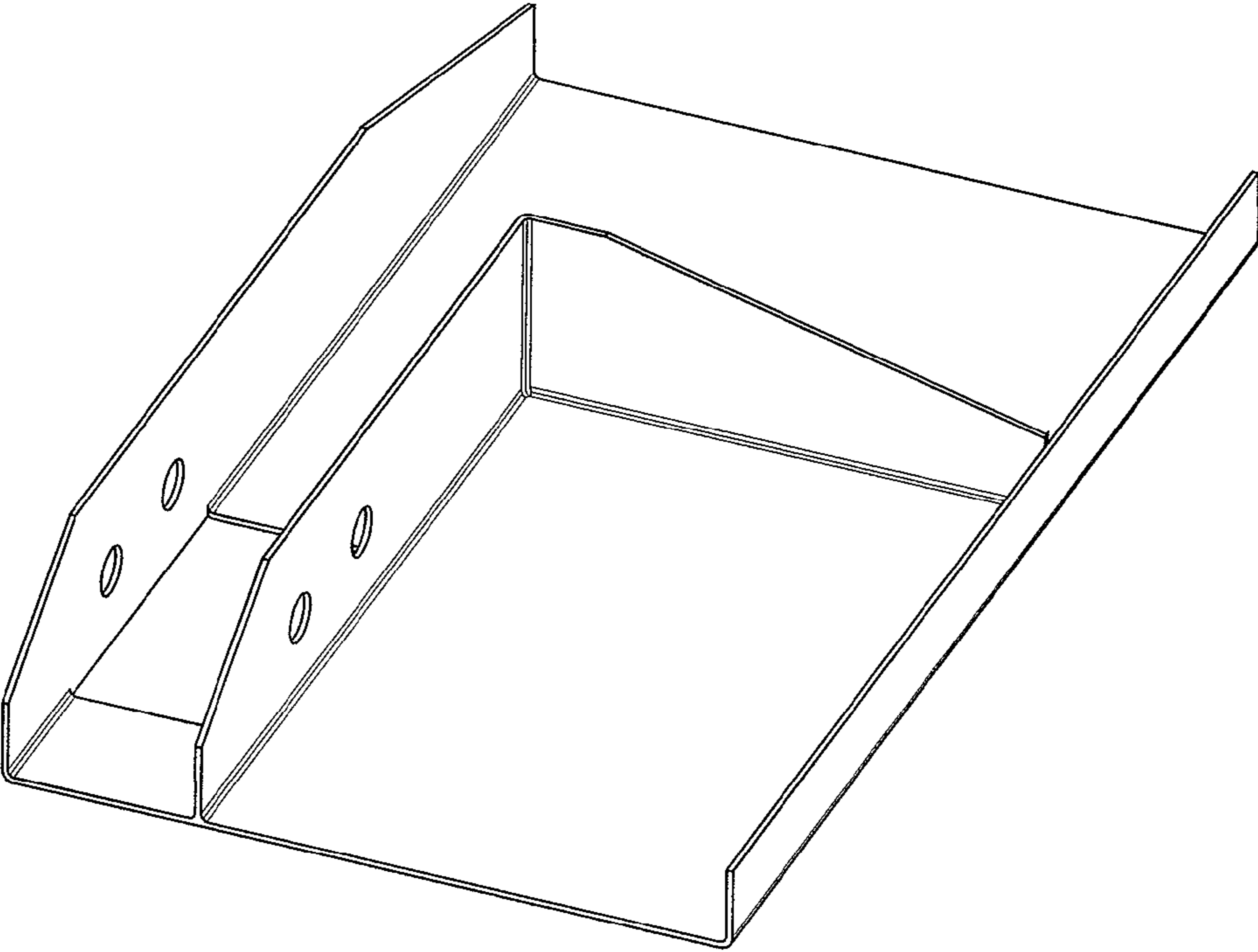


FIG.1

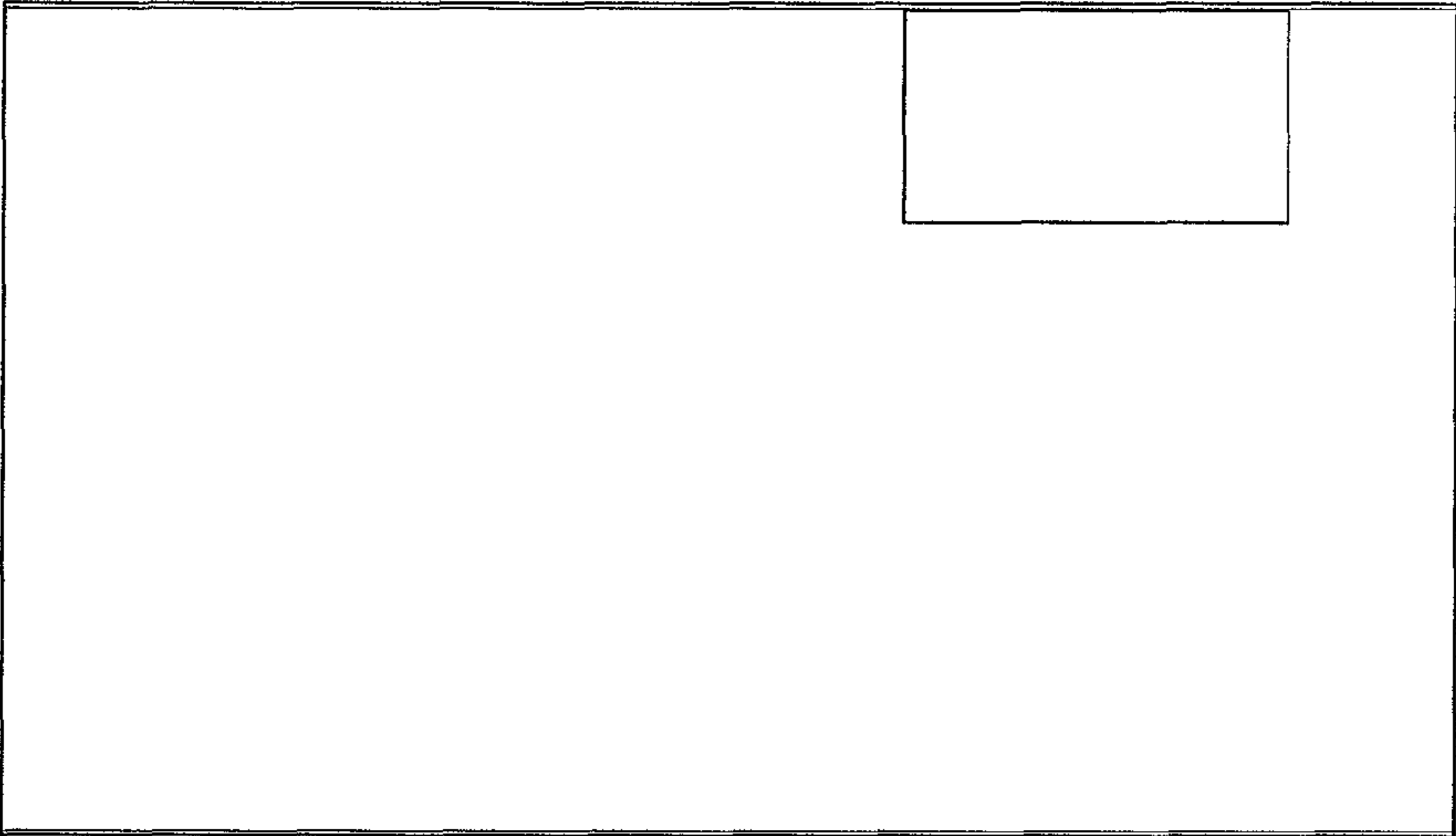


FIG.3

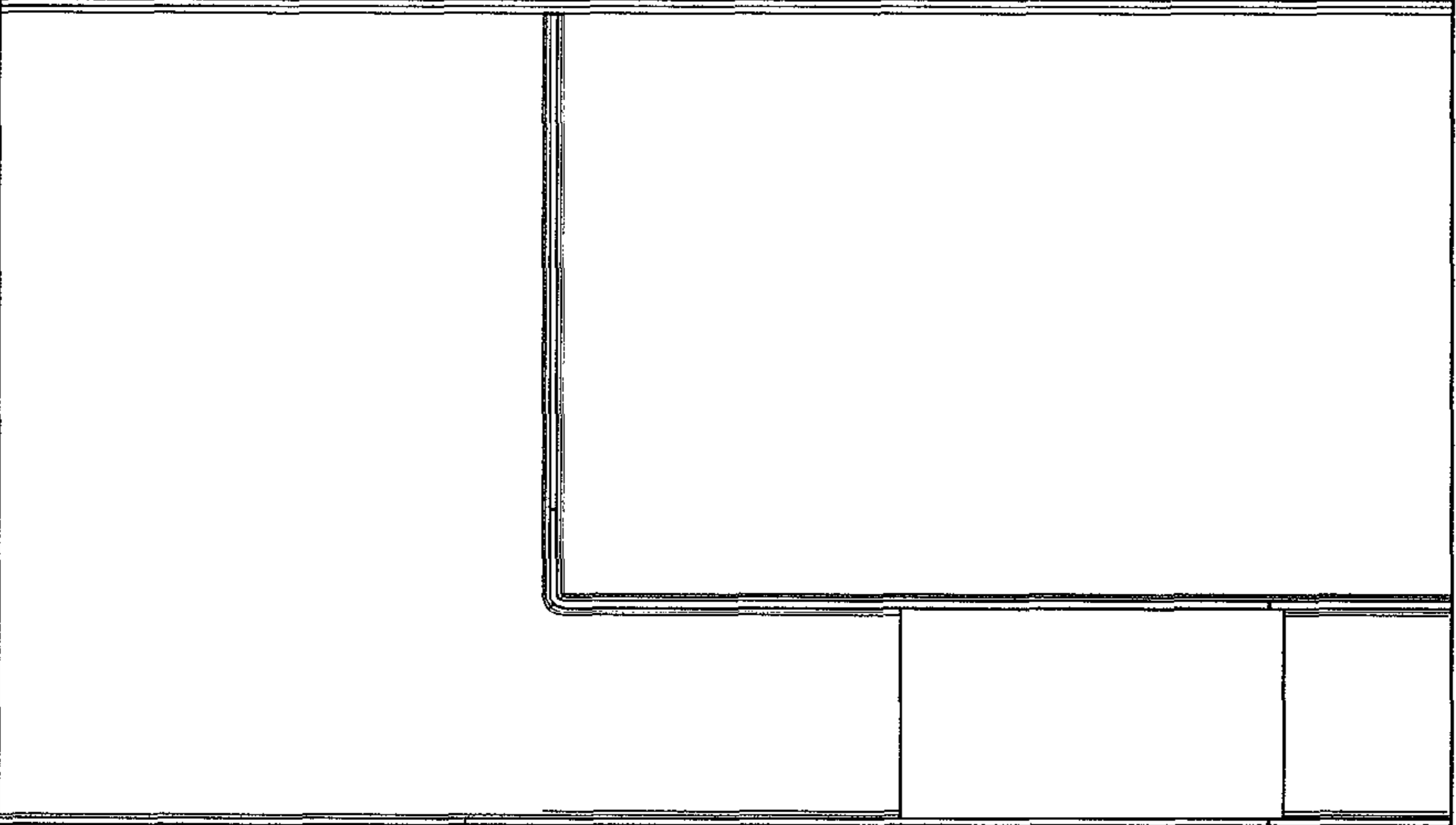


FIG.2

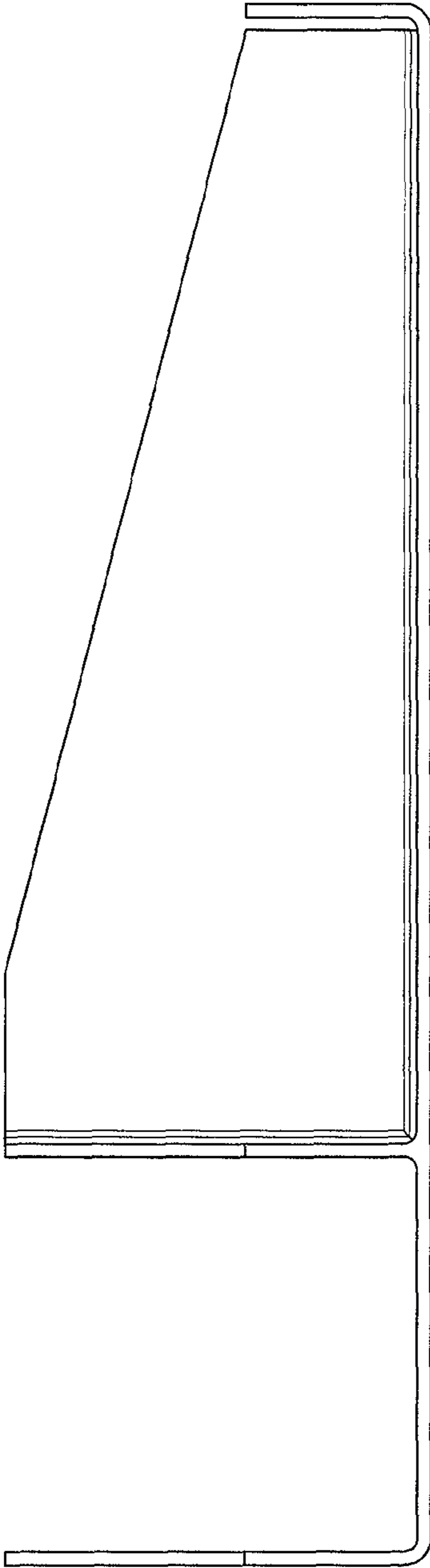


FIG.4

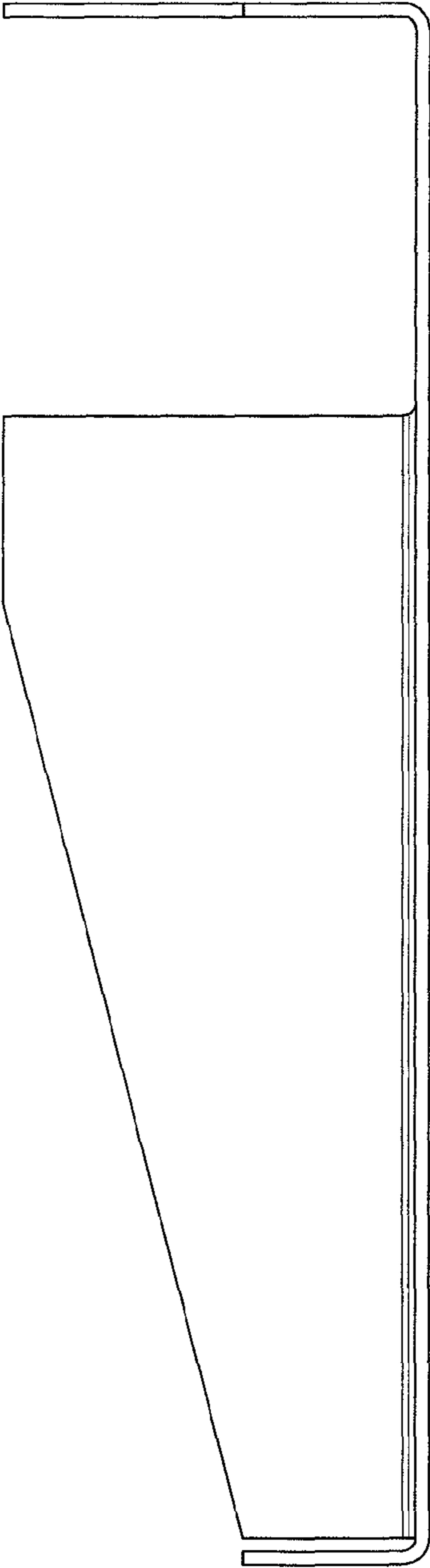


FIG.5

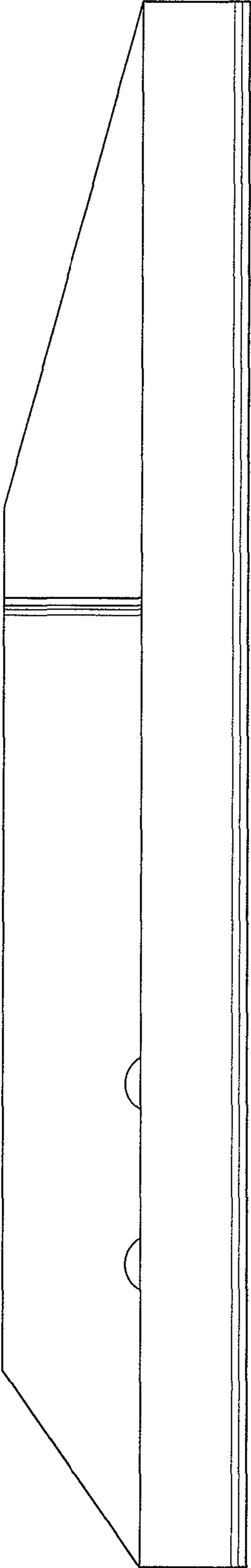


FIG. 6

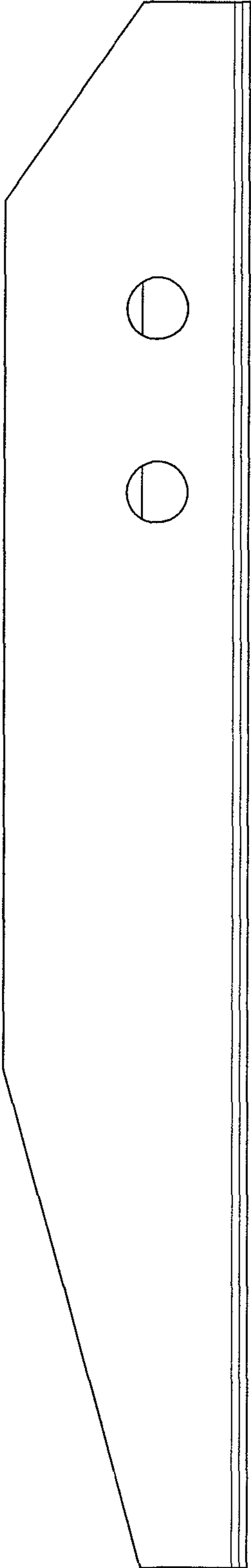


FIG. 7

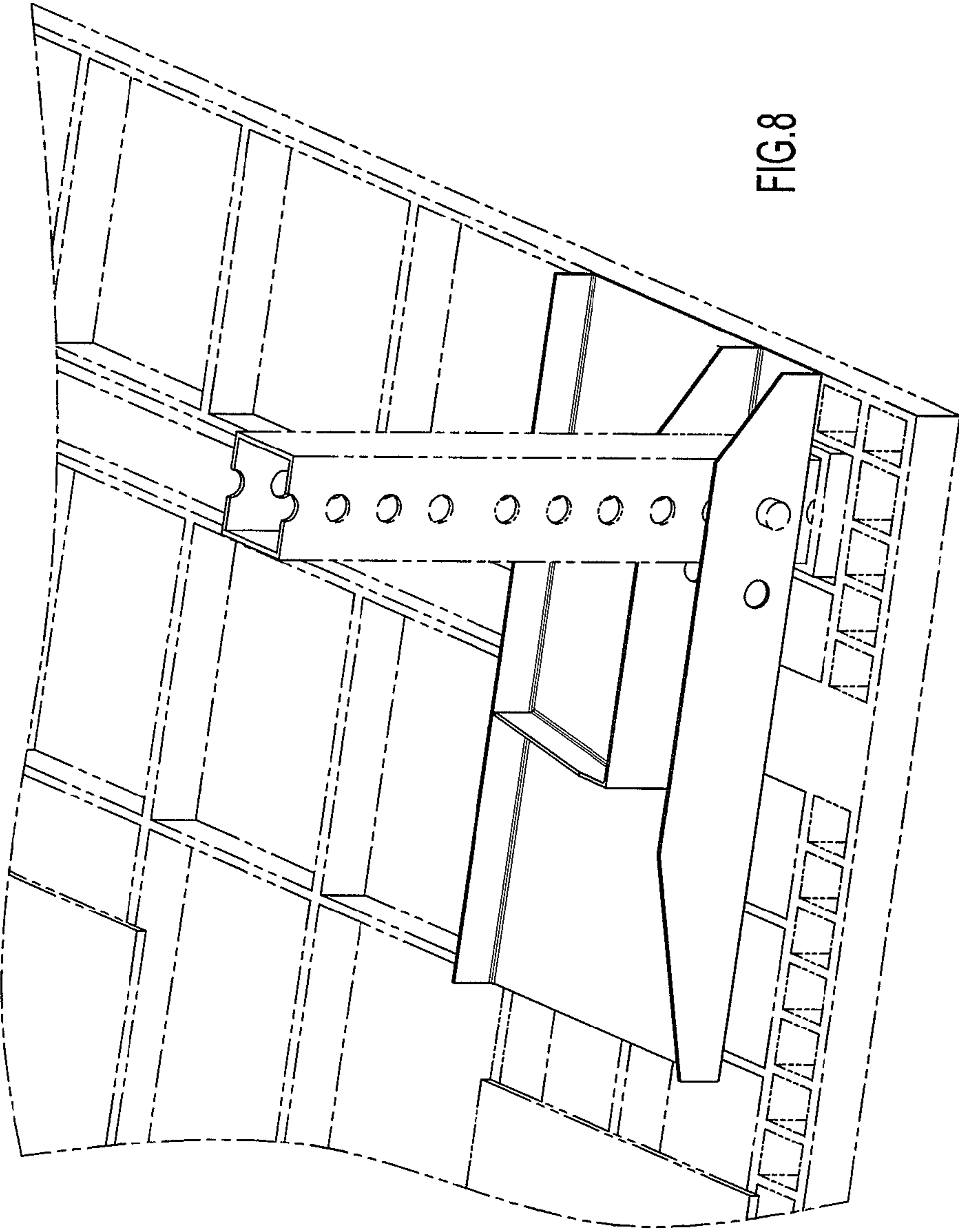


FIG. 8

FIG.9

