



US00D622129S

(12) **United States Design Patent**
Spivey et al.

(10) **Patent No.:** **US D622,129 S**

(45) **Date of Patent:** **** Aug. 24, 2010**

(54) **KEY SAFE**

(75) Inventors: **Patrick Spivey**, Atlanta, GA (US);
Kenneth C. Kreaflle, Atlanta, GA (US)

(73) Assignee: **Base Brands, LLC**, Atlanta, GA (US)

(**) Term: **14 Years**

(21) Appl. No.: **29/321,990**

(22) Filed: **Jul. 28, 2008**

(51) **LOC (9) Cl.** **08-07**

(52) **U.S. Cl.** **D8/333**

(58) **Field of Classification Search** D8/333,
D8/330, 331, 334, 336, 338, 339, 343, 345;
D99/28; 70/14, 18, 20, 24, 25, 31, 35, 38 R,
70/38 C, 51, 55-58, 63, 91, 141; 224/567;
235/382, 382.5; 340/5.73

See application file for complete search history.

(56) **References Cited**

U.S. PATENT DOCUMENTS

3,237,436	A	3/1966	Williams	
4,851,652	A *	7/1989	Imran	235/382
D308,276	S *	5/1990	Appelbaum	D99/28
4,936,894	A	6/1990	Larson et al.	
5,046,339	A *	9/1991	Krell	70/55
5,460,020	A *	10/1995	Hungerford	70/63
5,791,172	A *	8/1998	Deighton et al.	70/63
D417,604	S *	12/1999	Wasson et al.	D8/343
6,526,786	B1 *	3/2003	Kayoda	70/56
6,588,638	B1	7/2003	Luebeck et al.	
D488,048	S *	4/2004	Wasson et al.	D8/333
6,745,941	B1	6/2004	Vega	
D495,234	S *	8/2004	Fisher et al.	D8/333
6,822,553	B1	11/2004	Henderson et al.	

D499,634	S	12/2004	Dolan et al.	
6,842,105	B1	1/2005	Henderson et al.	
6,937,140	B1	8/2005	Outslay et al.	
D528,401	S *	9/2006	Ruan	D8/343
D545,173	S *	6/2007	Wasson et al.	D8/333
2007/0290798	A1	12/2007	Larson et al.	
2007/0290799	A1	12/2007	Harkins et al.	

FOREIGN PATENT DOCUMENTS

WO 03/093997 A1 11/2003

OTHER PUBLICATIONS

GE Interlogix, "Pushbutton Instructions," P/N 43364-04, obtained from www.ge-interlogix.com, undated.

* cited by examiner

Primary Examiner—Prabhakar Deshmukh

Assistant Examiner—Derrick Holland

(74) *Attorney, Agent, or Firm*—Wong, Cabello, Lutsch, Rutherford & Brucculeri, LLP

(57) **CLAIM**

The ornamental design of a key safe, as shown and described.

DESCRIPTION

FIG. 1 is a perspective view of a key safe showing our new design.

FIG. 2 is a front view thereof.

FIG. 3 is a left side view thereof.

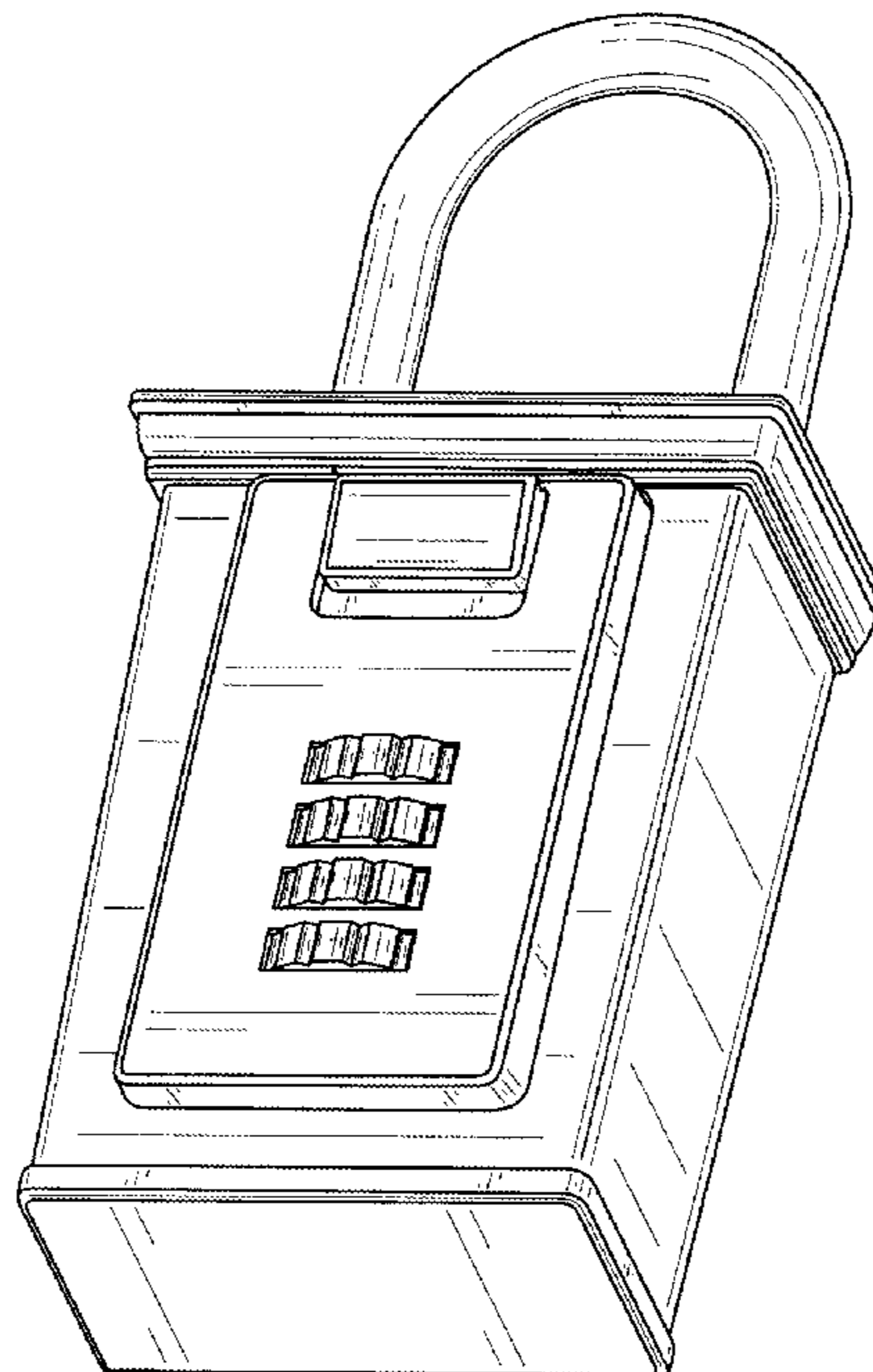
FIG. 4 is a back view thereof.

FIG. 5 is a right side view thereof.

FIG. 6 is a top view thereof; and,

FIG. 7 is a bottom view thereof.

1 Claim, 4 Drawing Sheets



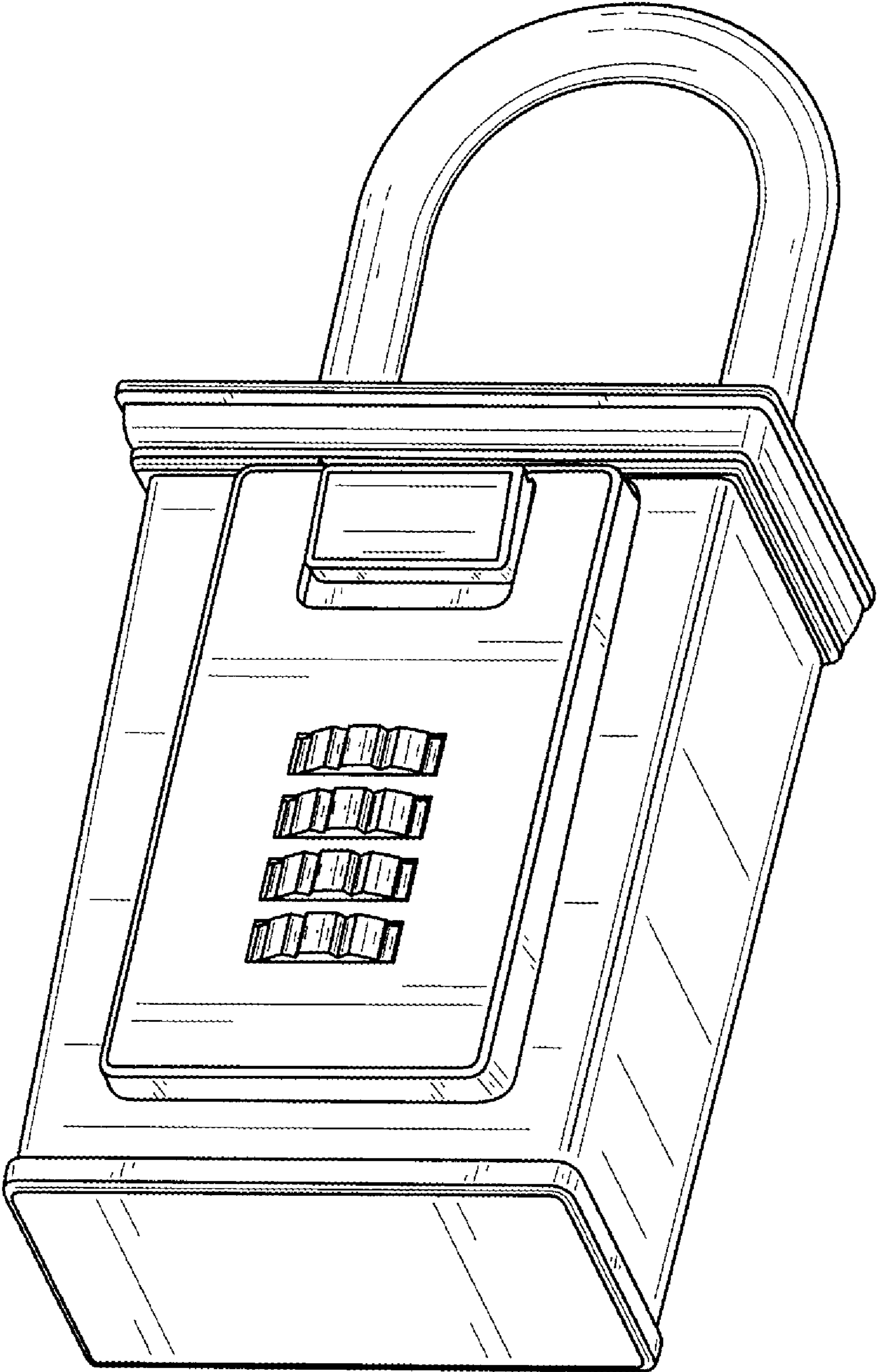


FIG. 1

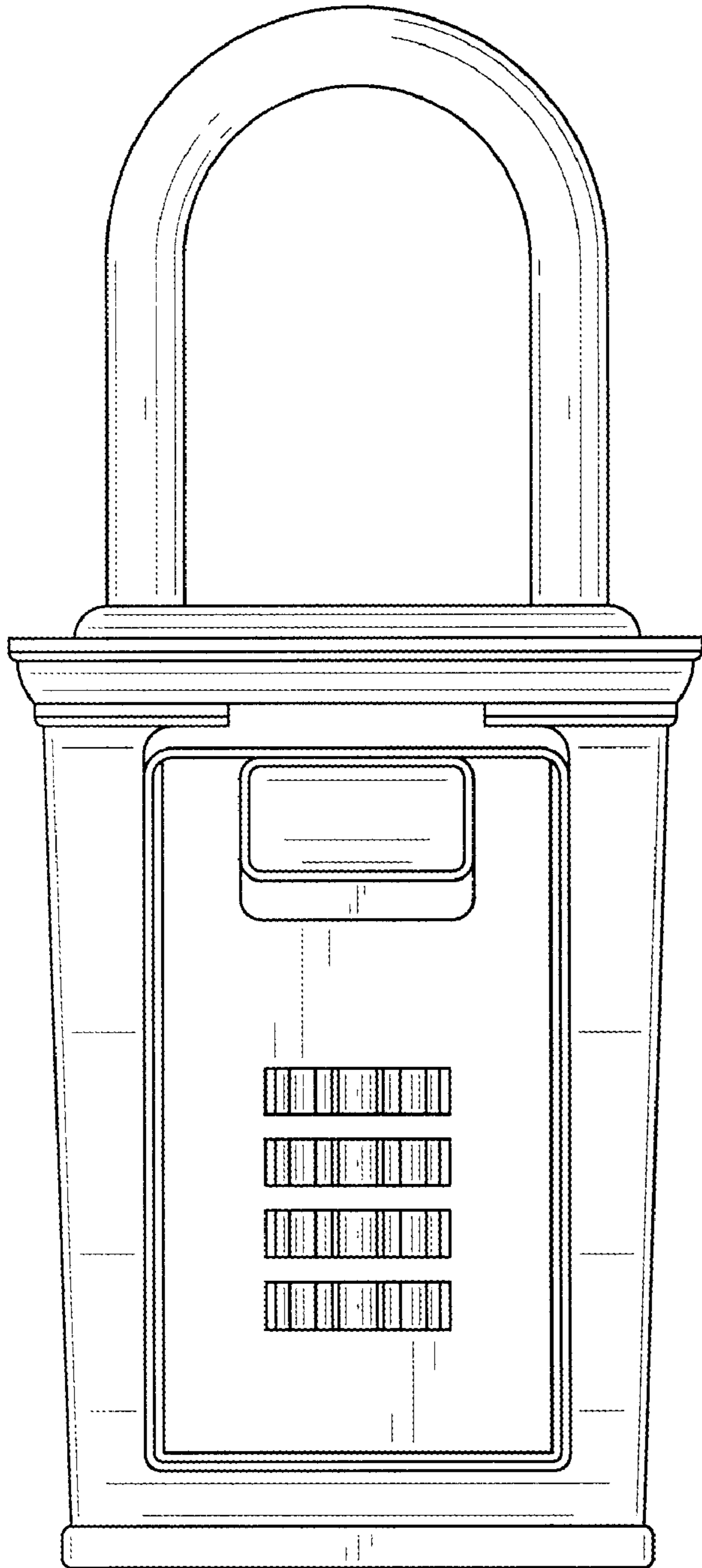


FIG. 2

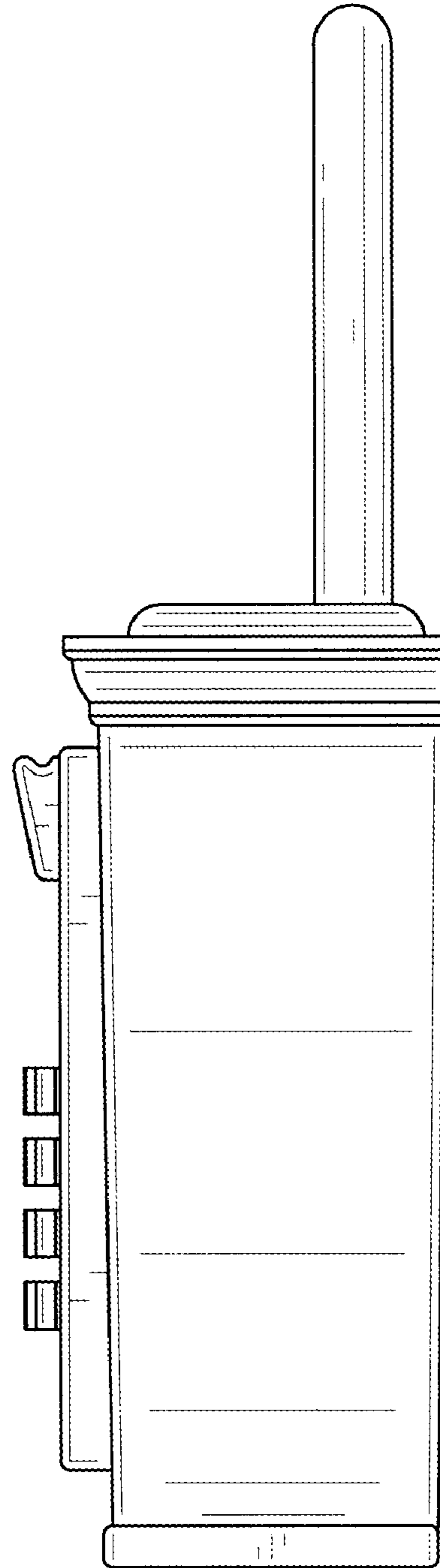


FIG. 3

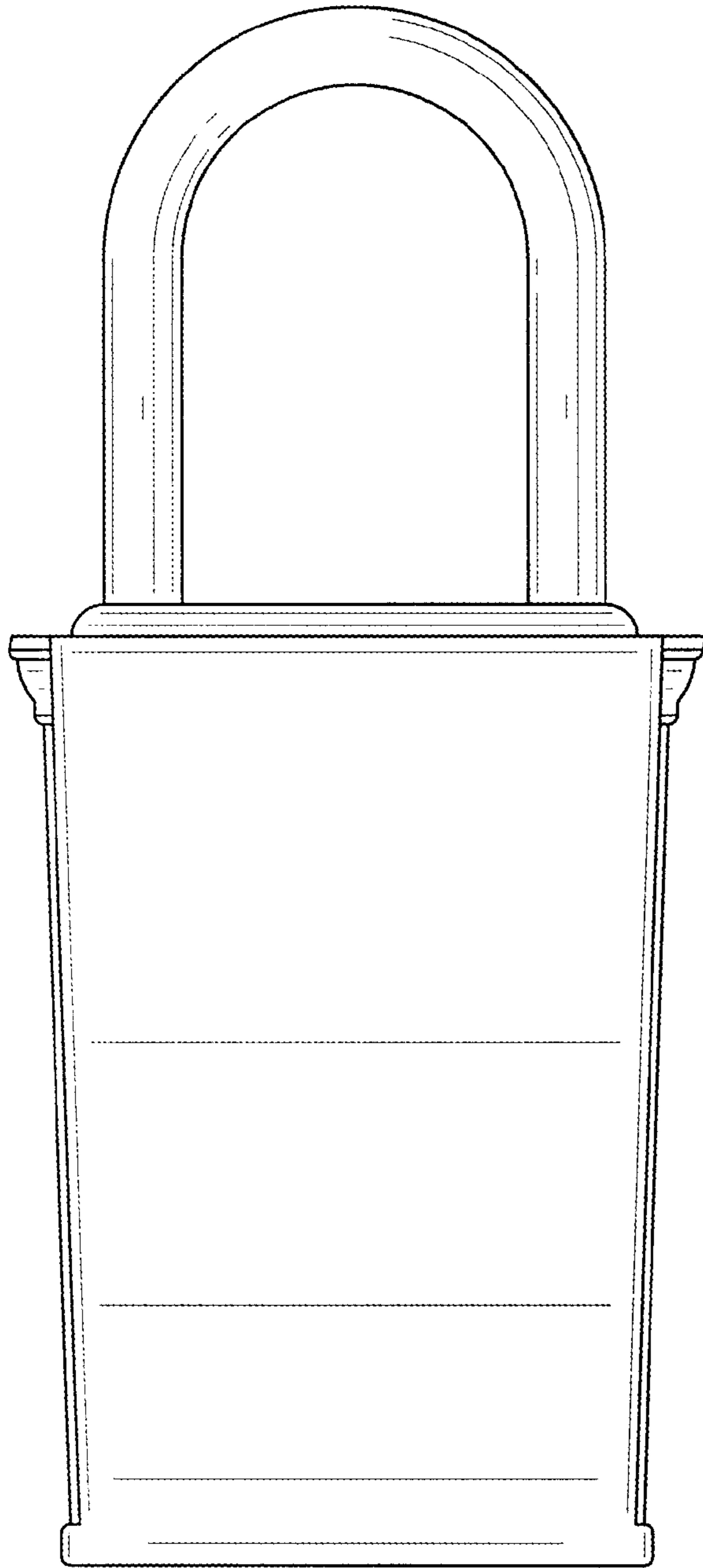


FIG. 4

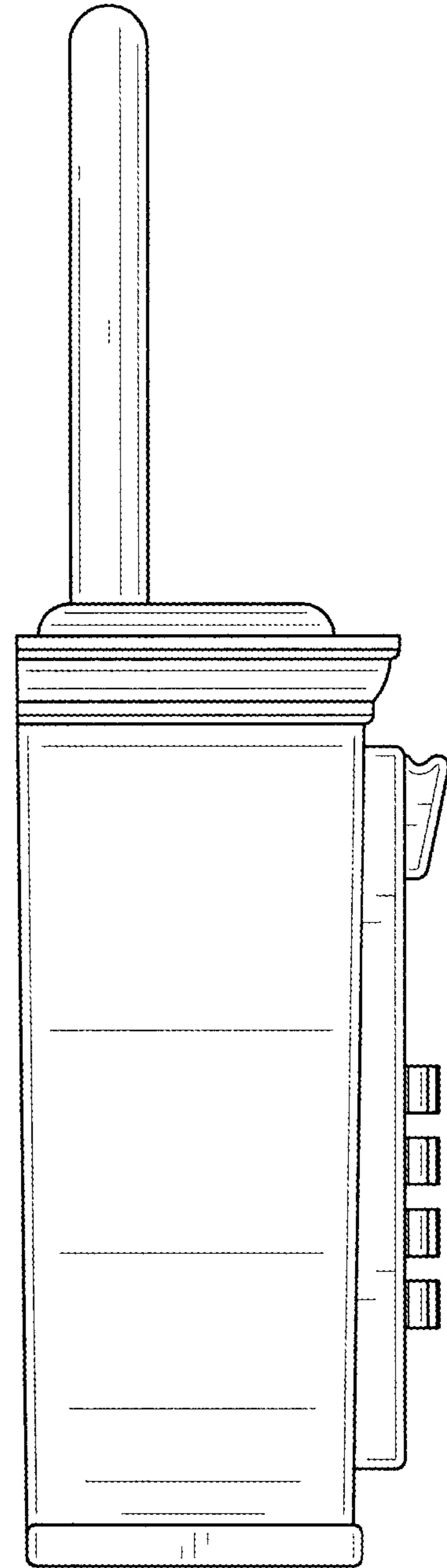


FIG. 5

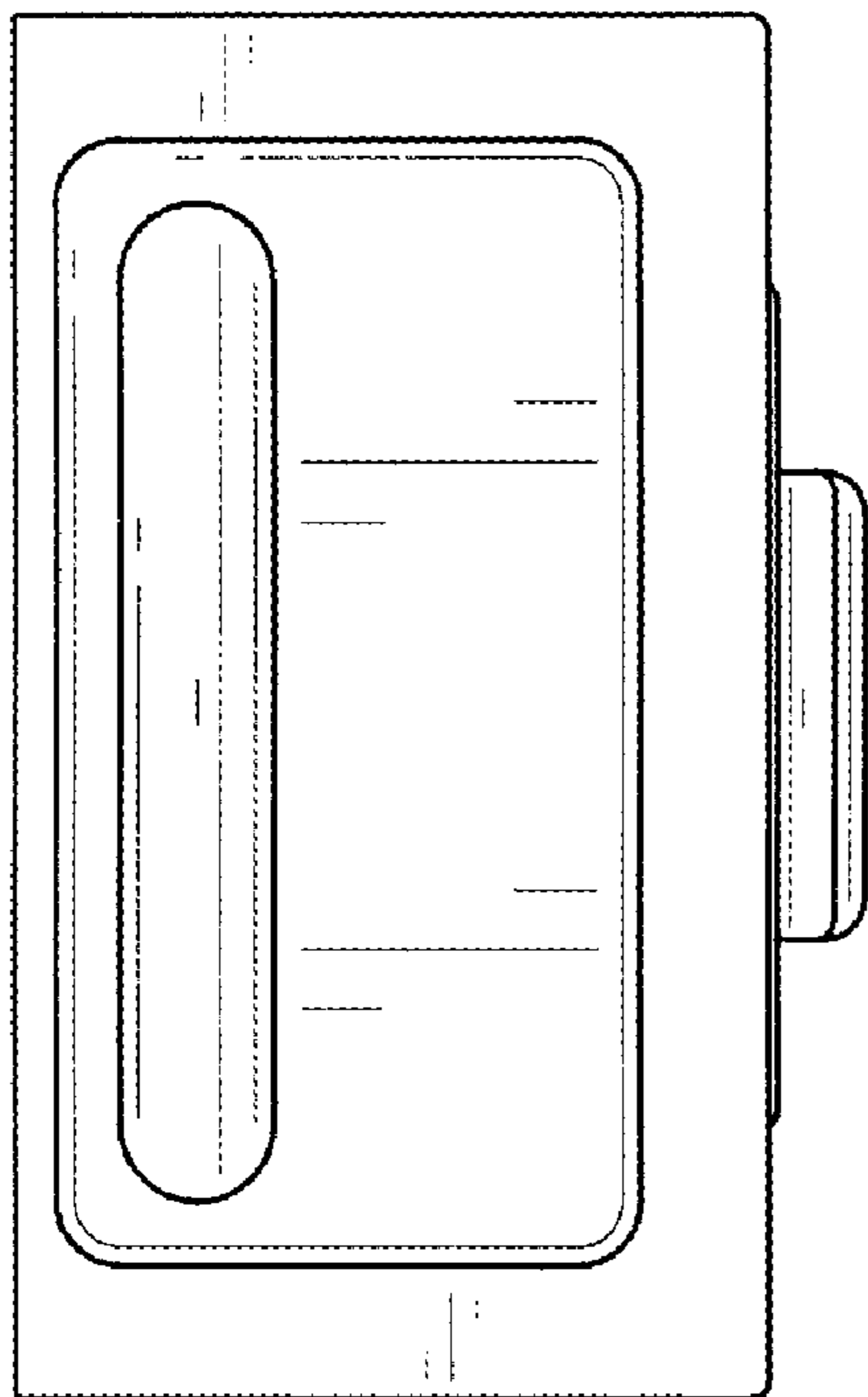


FIG. 6

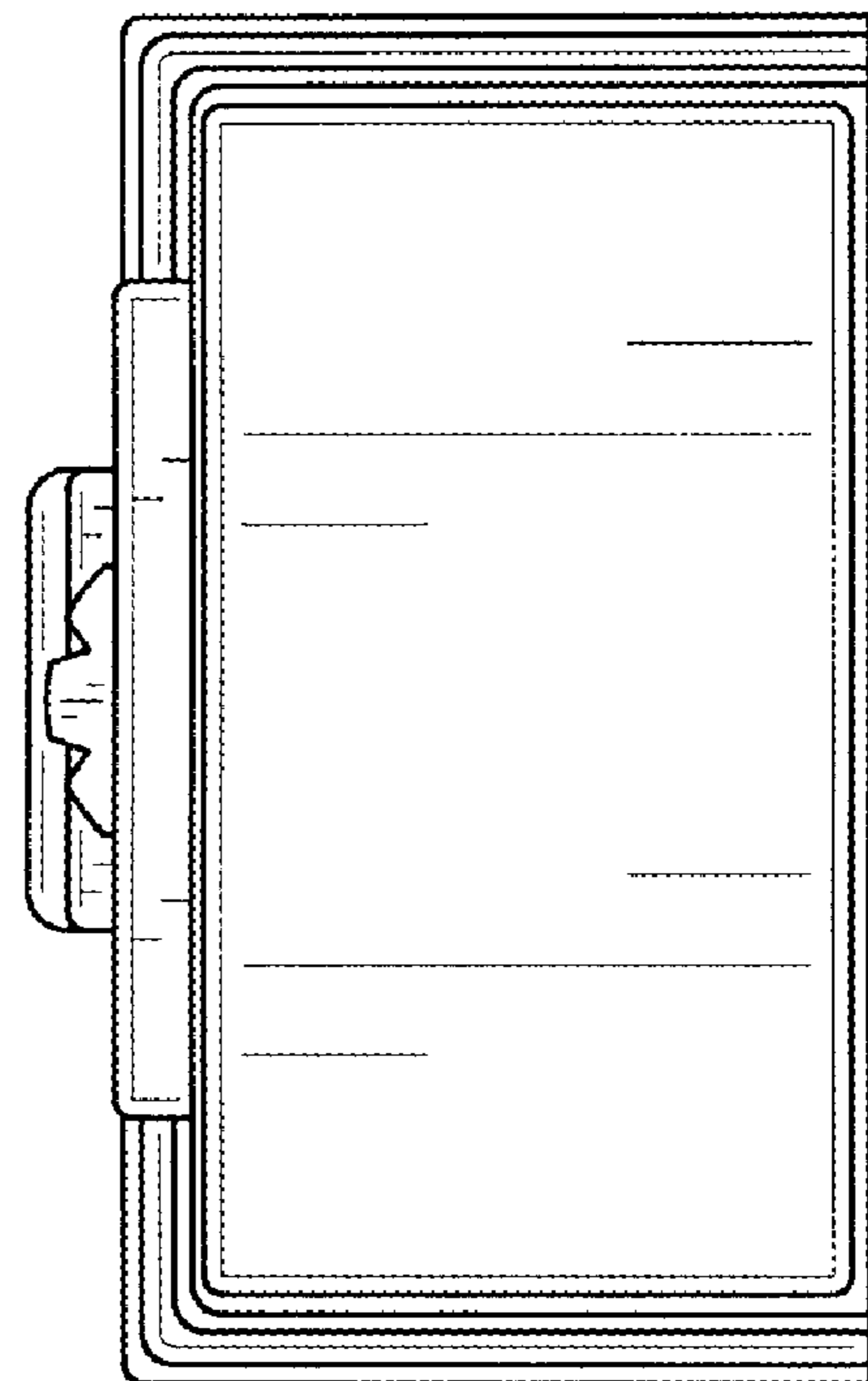


FIG. 7