



US00D622128S

(12) **United States Design Patent**
Laurenza

(10) **Patent No.:** **US D622,128 S**

(45) **Date of Patent:** **** Aug. 24, 2010**

(54) **HINGE**

4,722,179 A 2/1988 Tesch

(75) Inventor: **Matthew C. Laurenza**, Louisville, KY (US)

(Continued)

(73) Assignee: **MCL Design, Inc.**, Louisville, KY (US)

Primary Examiner—Robert M Spear

Assistant Examiner—Cynthia Underwood

(74) *Attorney, Agent, or Firm*—Loeb & Loeb LLP

(**) Term: **14 Years**

(57) **CLAIM**

(21) Appl. No.: **29/344,208**

The ornamental design for a hinge, as shown and described.

(22) Filed: **Sep. 25, 2009**

DESCRIPTION

(51) **LOC (9) Cl.** **08-06**

(52) **U.S. Cl.** **D8/323; D11/87**

(58) **Field of Classification Search** D8/387,
D8/323, 325, 330, 336, 349, 328, 327, 331,
D8/353, 338; D3/324; D11/86-89; D16/334;
4/236, 240; 16/309, 235, 275, 244, 379,
16/390, 430, 241, 238, 245, 236, 243, 242,
16/385, 225, 250, 248, 381; 49/381; D23/303,
D23/302; D10/69, 65, 61, 46; 33/347, 365-390
See application file for complete search history.

FIG. 1 is a perspective view of a hinge according to the invention, the hinge shown in a closed position.

FIG. 2 is a perspective view of the hinge of FIG. 1, the hinge shown in an open position.

FIG. 3 is a side view of the hinge shown in FIG. 1, the opposite side view being a mirror image thereof.

FIG. 4 is a side view of the hinge shown FIG. 2, the opposite side view being a mirror image thereof.

FIG. 5 is a top view of the hinge shown in FIG. 1.

FIG. 6 is a top view of the hinge shown in FIG. 2.

FIG. 7 is a bottom view of the hinge shown in FIG. 1.

FIG. 8 is a bottom view of the hinge shown in FIG. 2.

FIG. 9 is a front view of the hinge shown in FIG. 1.

FIG. 10 is a front view of the hinge shown in FIG. 2.

FIG. 11 is a back view of the hinge shown in FIG. 1; and,

FIG. 12 is a back view of the hinge shown in FIG. 2.

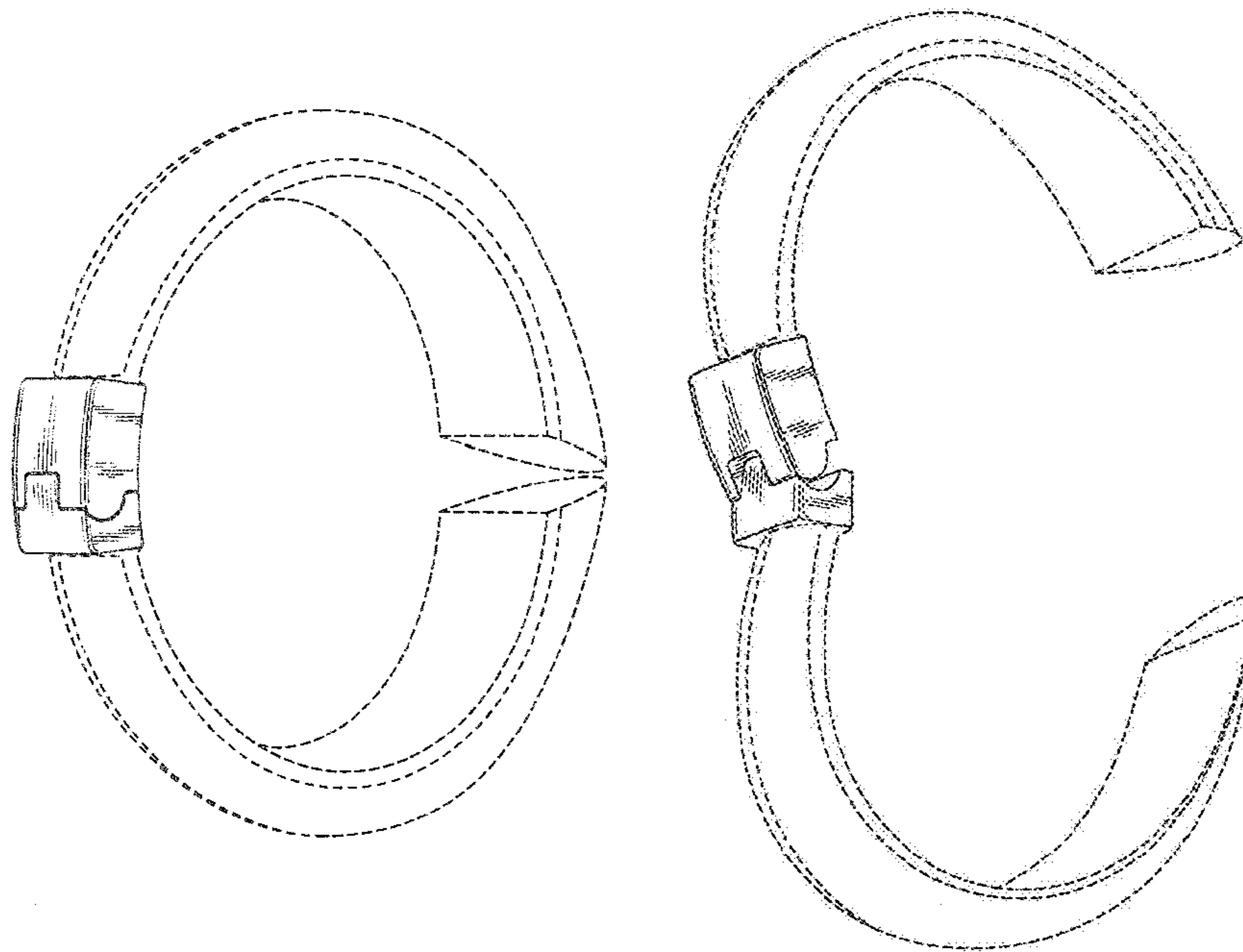
The broken lines appearing in the figures are for illustrative purposes only and form no part of the claimed design.

(56) **References Cited**

U.S. PATENT DOCUMENTS

2,050,045	A *	8/1936	Eden, Jr.	72/261
D148,008	S *	12/1947	Chernow	D11/87
D156,484	S *	12/1949	Chernow	D11/87
3,800,450	A *	4/1974	Laugherty et al.	40/633
D263,370	S	3/1982	Bisbing	
D263,446	S	3/1982	Bisbing	
D263,926	S	4/1982	White	
D268,733	S	4/1983	Bisbing	
D269,943	S	8/1983	Bisbing	
D274,691	S *	7/1984	Wallace	D8/336
D284,176	S *	6/1986	Battersby	D11/87

1 Claim, 6 Drawing Sheets



US D622,128 S

Page 2

U.S. PATENT DOCUMENTS

D339,052	S *	9/1993	Bisbing	D8/323	6,457,215	B1	10/2002	Martin	
D339,281	S *	9/1993	Bisbing	D8/323	6,675,612	B2	1/2004	Nanasi	
D339,518	S *	9/1993	Bisbing	D8/323	D492,573	S *	7/2004	Karamanos et al. D8/330	
5,305,617	A	4/1994	Fontana		D507,170	S *	7/2005	Franchini	D8/323
D348,823	S *	7/1994	Bisbing	D8/323	D512,897	S *	12/2005	Franchini	D8/323
5,438,851	A	8/1995	Geissbuhler		7,017,368	B2	3/2006	Hug	
D366,223	S	1/1996	Samuel		D541,622	S *	5/2007	Bell et al	D8/323
5,479,797	A	1/1996	Peterson		7,347,065	B1	3/2008	DeGolyer	
D368,047	S	3/1996	Samuel		D580,814	S *	11/2008	Beizer	D11/87
5,586,452	A	12/1996	Schmid		D589,781	S *	4/2009	Lee	D8/330
5,746,067	A	5/1998	Leach, II et al.		2002/0129619	A1	9/2002	Wolff	
D407,624	S	4/1999	Ehrig		2004/0172968	A1	9/2004	Hug	
D418,042	S *	12/1999	Allen et al.	D8/336	2005/0279134	A1	12/2005	Renaudet et al.	
D425,774	S *	5/2000	Ford et al.	D8/323	2006/0272354	A1	12/2006	Hostettler et al.	
6,178,598	B1 *	1/2001	Creely et al.	16/342	2007/0295028	A1	12/2007	Talmor	
6,260,381	B1	7/2001	Zettl		2008/0236195	A1	10/2008	Woebke	

* cited by examiner

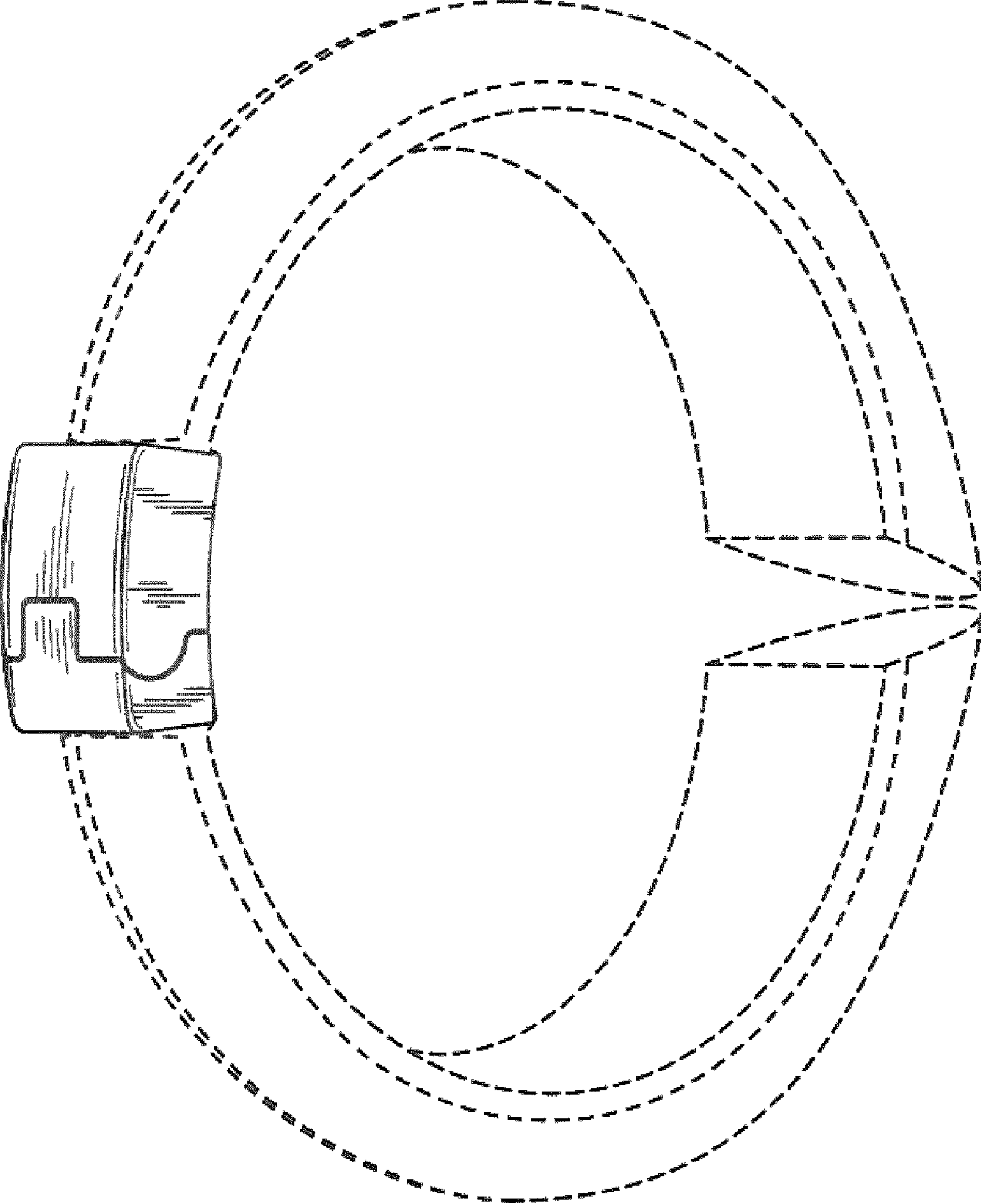


FIG. 1

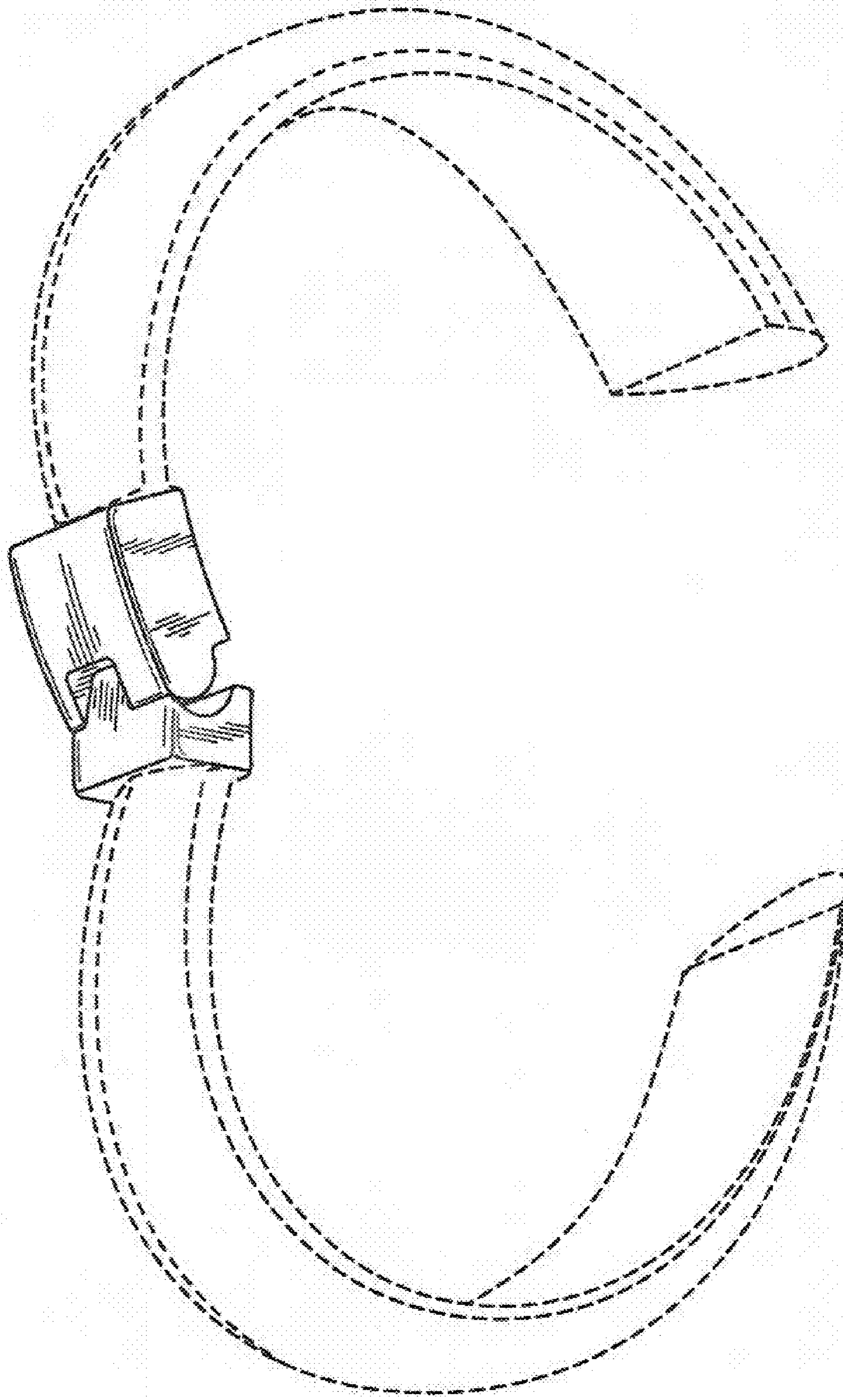


FIG. 2

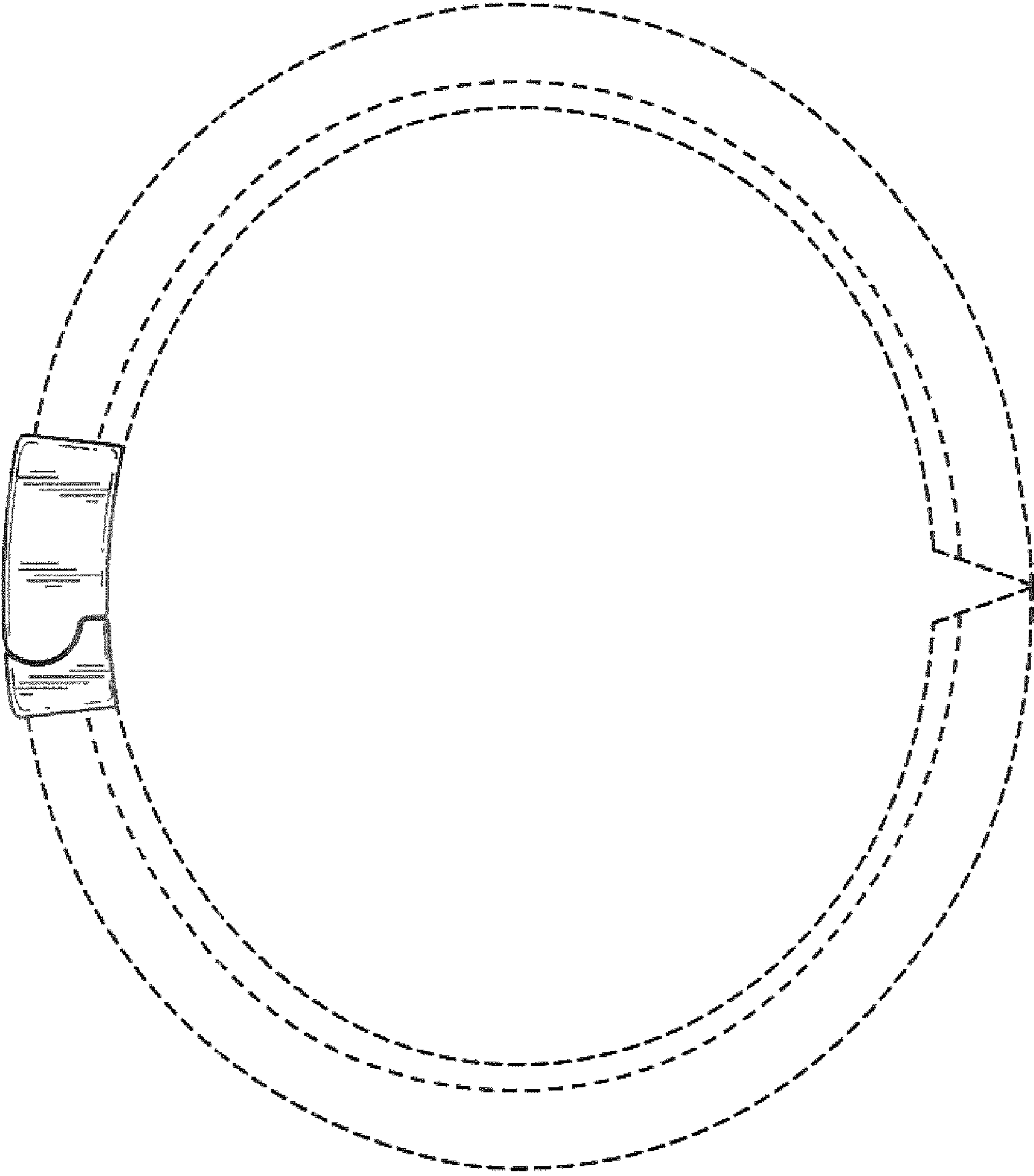


FIG. 3

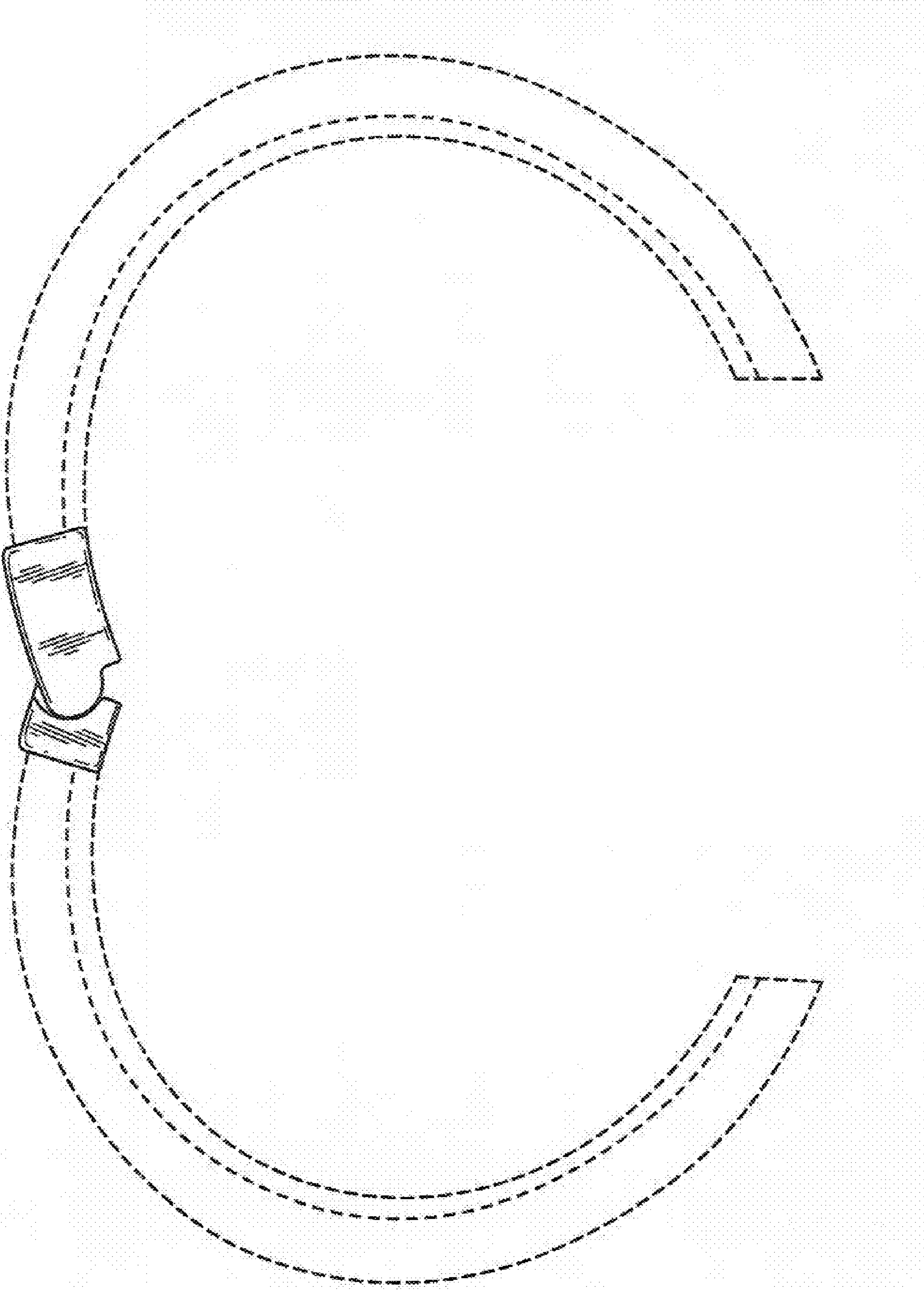


FIG. 4

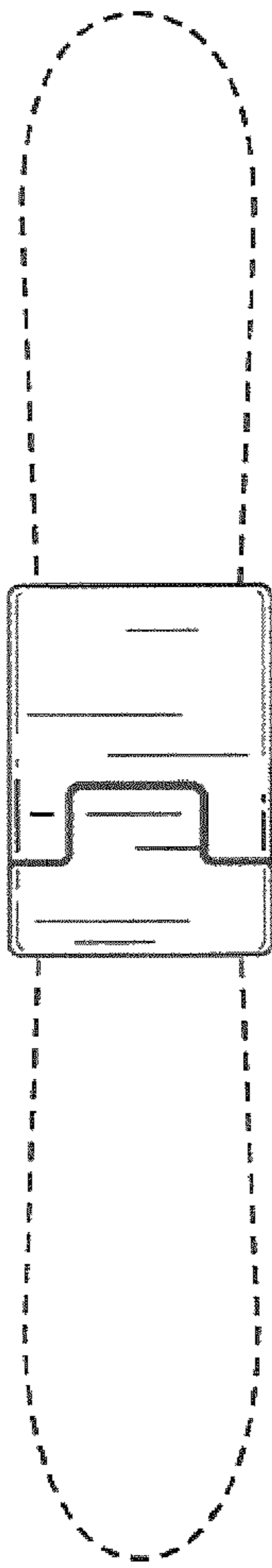


FIG. 5

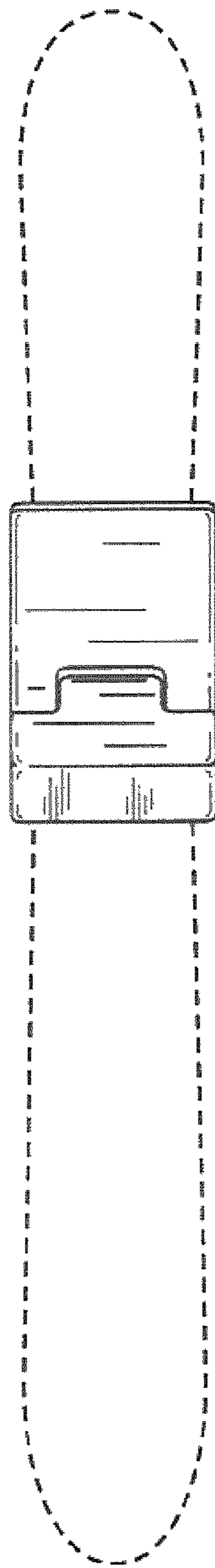


FIG. 6

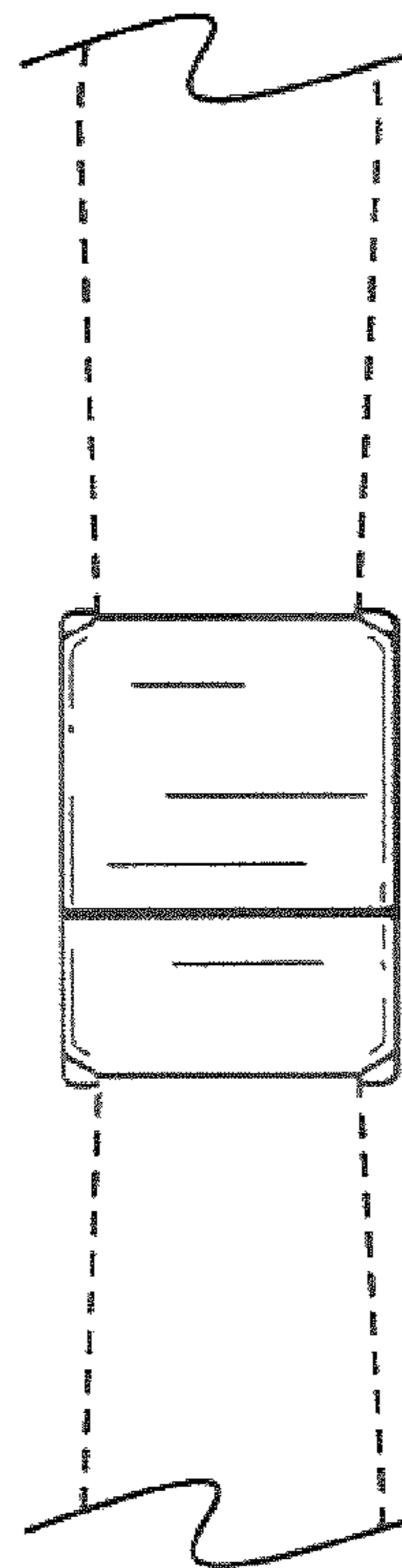


FIG. 7

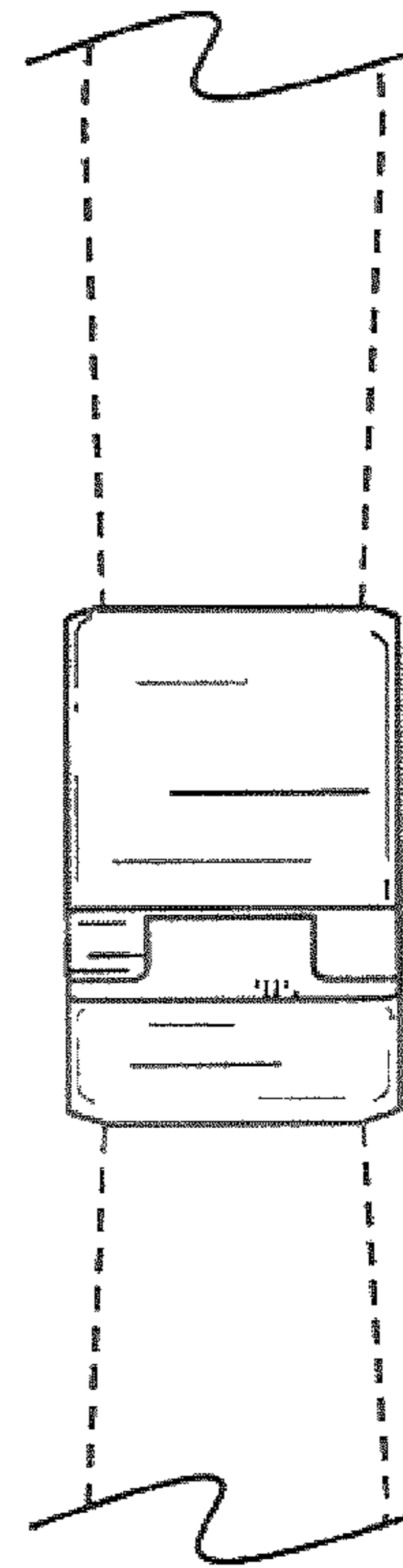


FIG. 8

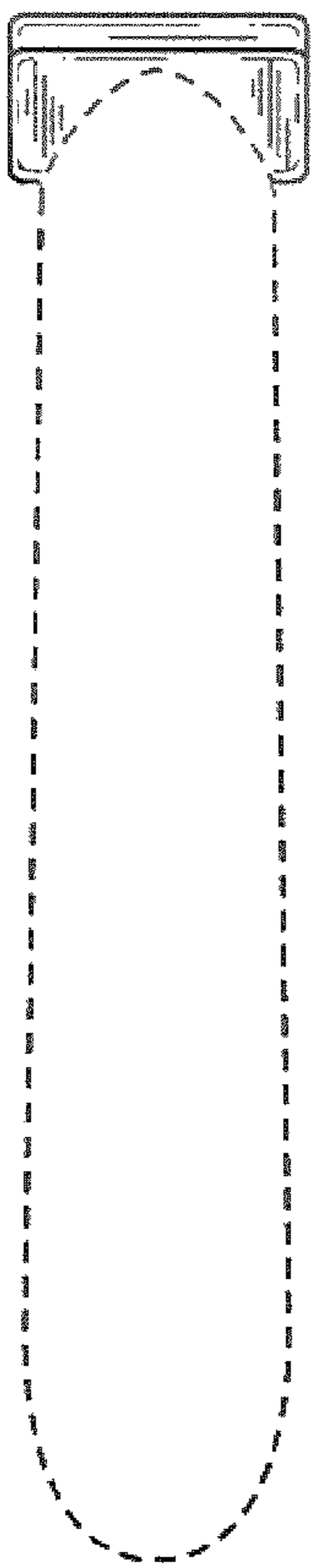


FIG. 9

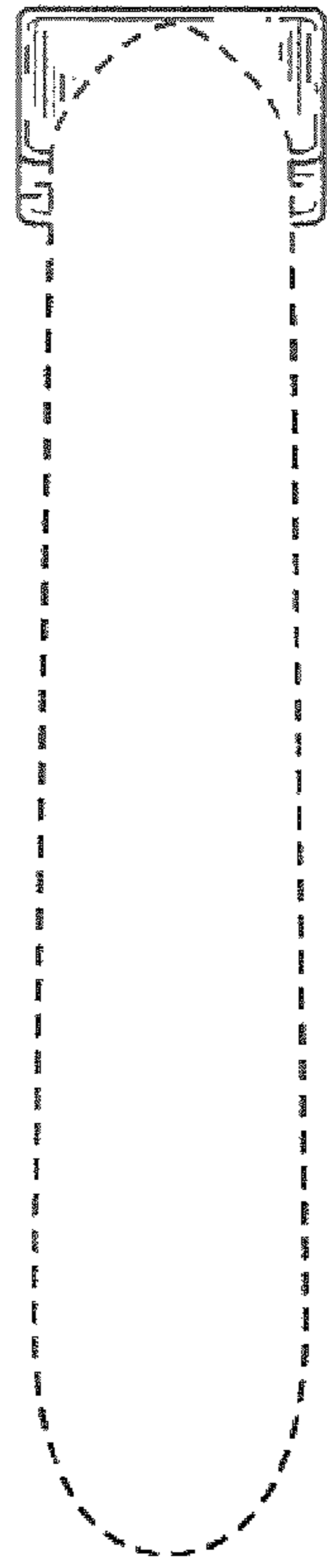


FIG. 10

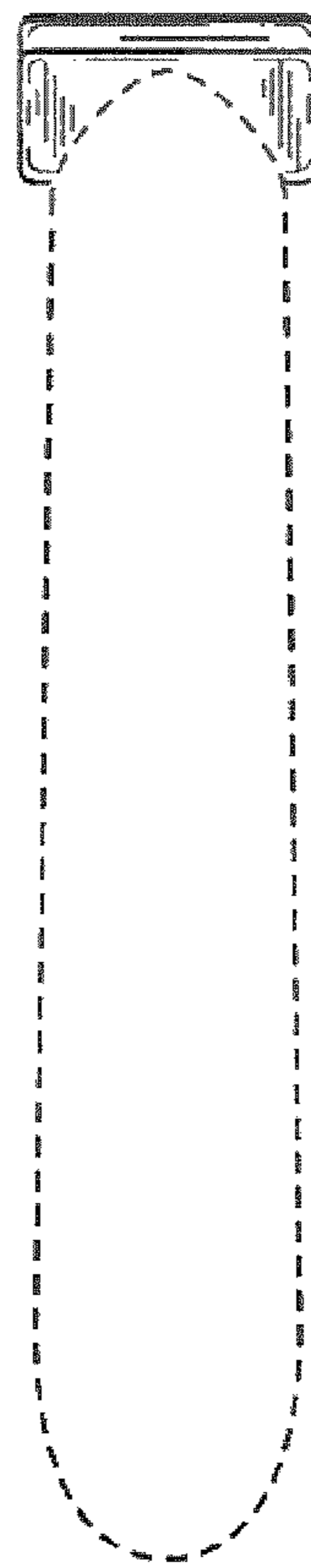


FIG. 11

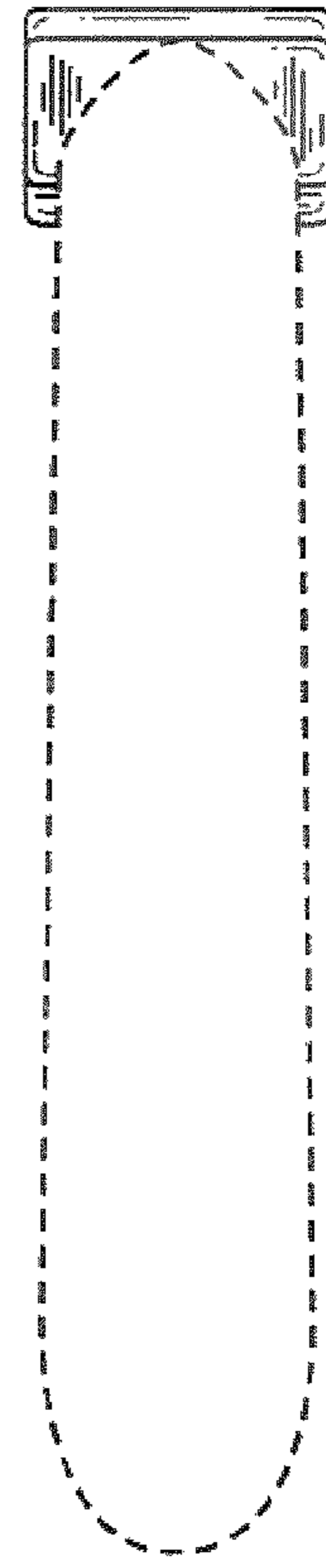


FIG. 12