



US00D622127S

(12) **United States Design Patent**
Ferraro

(10) **Patent No.:** **US D622,127 S**

(45) **Date of Patent:** **** Aug. 24, 2010**

(54) **TOILET SEAT LIFTER**

(76) Inventor: **Joseph J. Ferraro**, 25 Bellevue Ave.,
Melrose, MA (US) 02176

(**) Term: **14 Years**

(21) Appl. No.: **29/314,708**

(22) Filed: **Apr. 21, 2009**

(51) **LOC (9) Cl.** **08-06**

(52) **U.S. Cl.** **D8/307**

(58) **Field of Classification Search** D8/300,
D8/307, 17, 19, 107; D23/303, 309, 311;
16/110.1, 422, 443, 905; 4/246.1, 246.3,
4/661, 234, 237, 251

See application file for complete search history.

(56) **References Cited**

U.S. PATENT DOCUMENTS

2,758,315	A *	8/1956	Hylton	4/246.1
D245,095	S *	7/1977	Murray	D8/307
D295,604	S	5/1988	Purdy		
4,805,246	A *	2/1989	De Vargas et al.	4/246.1
D309,091	S	7/1990	Shepard		
D325,331	S *	4/1992	Onstad	D8/307
D325,510	S *	4/1992	Slye	D8/307
D331,184	S	11/1992	Walker		
D331,185	S	11/1992	Walker		
D361,369	S	8/1995	Garner		
D363,344	S *	10/1995	Hazard	D8/307
D379,497	S *	5/1997	Renfro et al.	D8/307
D395,489	S	6/1998	Abusaad		

D398,041	S	9/1998	Kitt		
D406,884	S	3/1999	Goss		
D426,625	S	6/2000	Manning		
D426,875	S *	6/2000	Weatherbee	D8/307
D432,636	S	10/2000	Huot		
6,212,694	B1 *	4/2001	Porzio	4/246.1
D507,168	S *	7/2005	Richard, Jr.	D8/307
D508,840	S	8/2005	Butler		
D543,086	S	5/2007	Simpson		
D544,334	S *	6/2007	Dismuke	D8/307

* cited by examiner

Primary Examiner—Paula Greene

(74) *Attorney, Agent, or Firm*—Joseph R. Birkner

(57) **CLAIM**

The ornamental design for a toilet seat lifter, as shown and described.

DESCRIPTION

FIG. 1 is a perspective view of a toilet seat lifter showing my new design;

FIG. 2 is a front elevation view thereof;

FIG. 3 is a right side elevation view thereof;

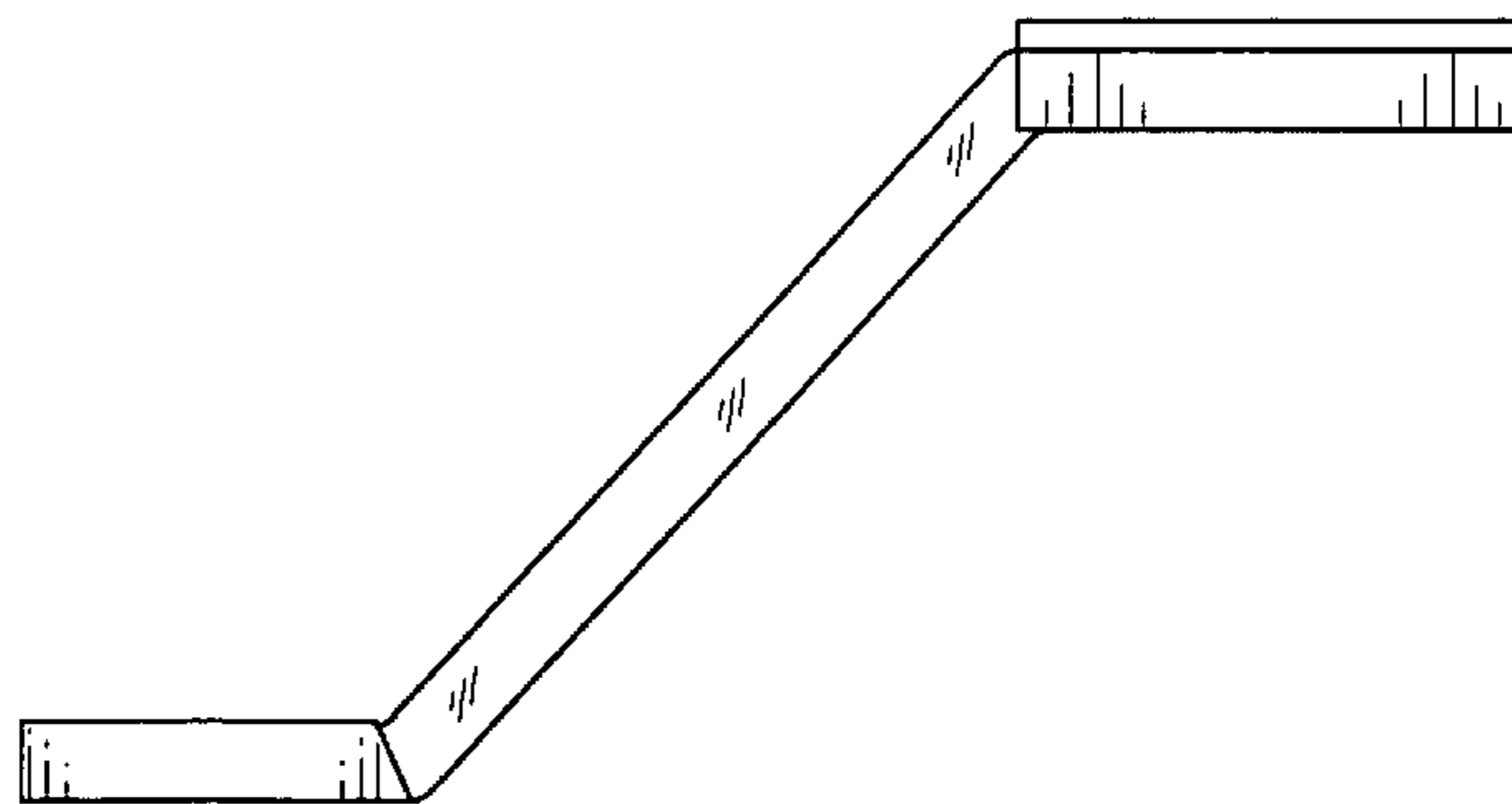
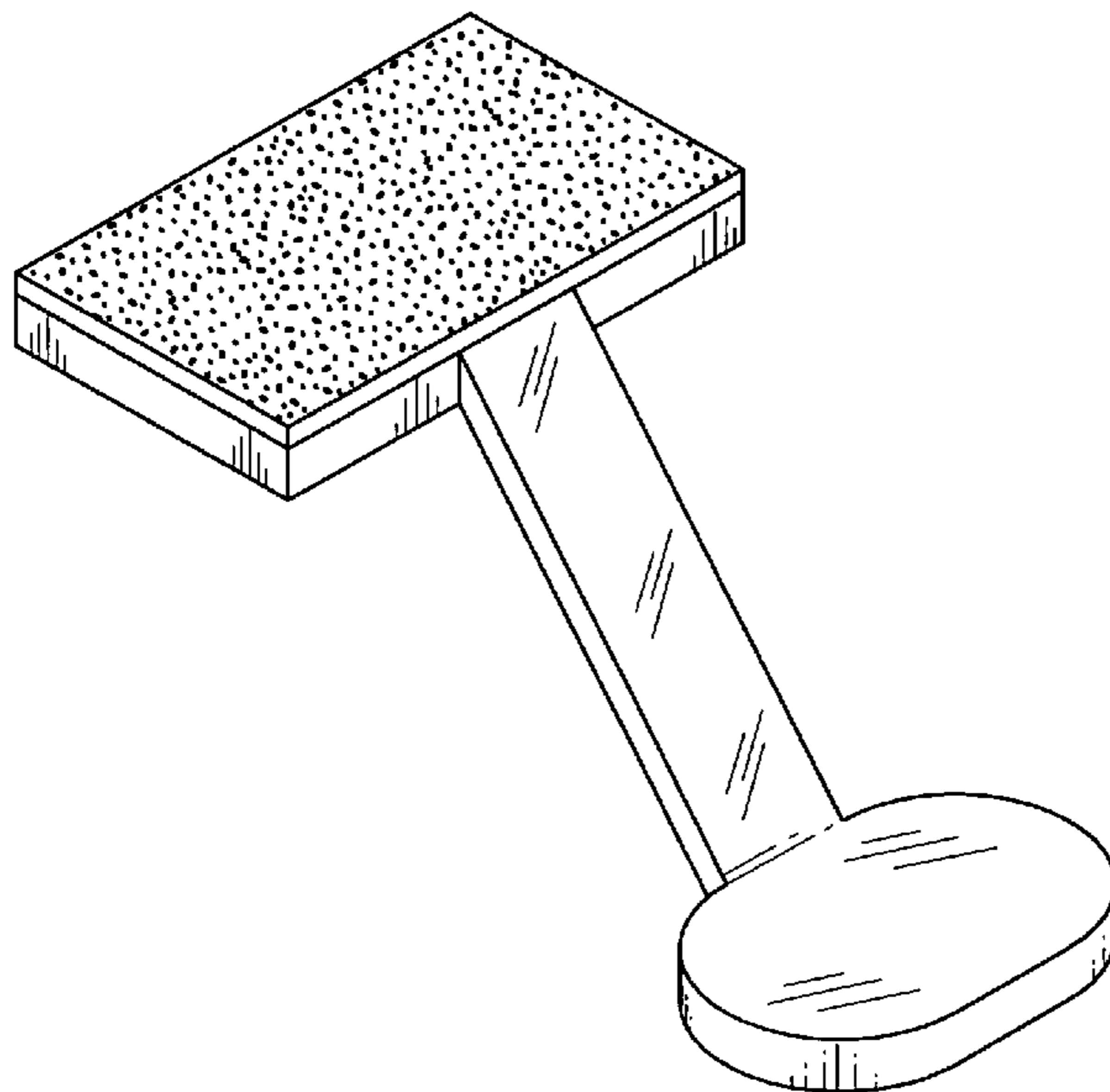
FIG. 4 is a left side elevation view thereof;

FIG. 5 is a rear elevation view thereof;

FIG. 6 is a top plan view thereof; and,

FIG. 7 is a bottom plan view thereof.

1 Claim, 3 Drawing Sheets



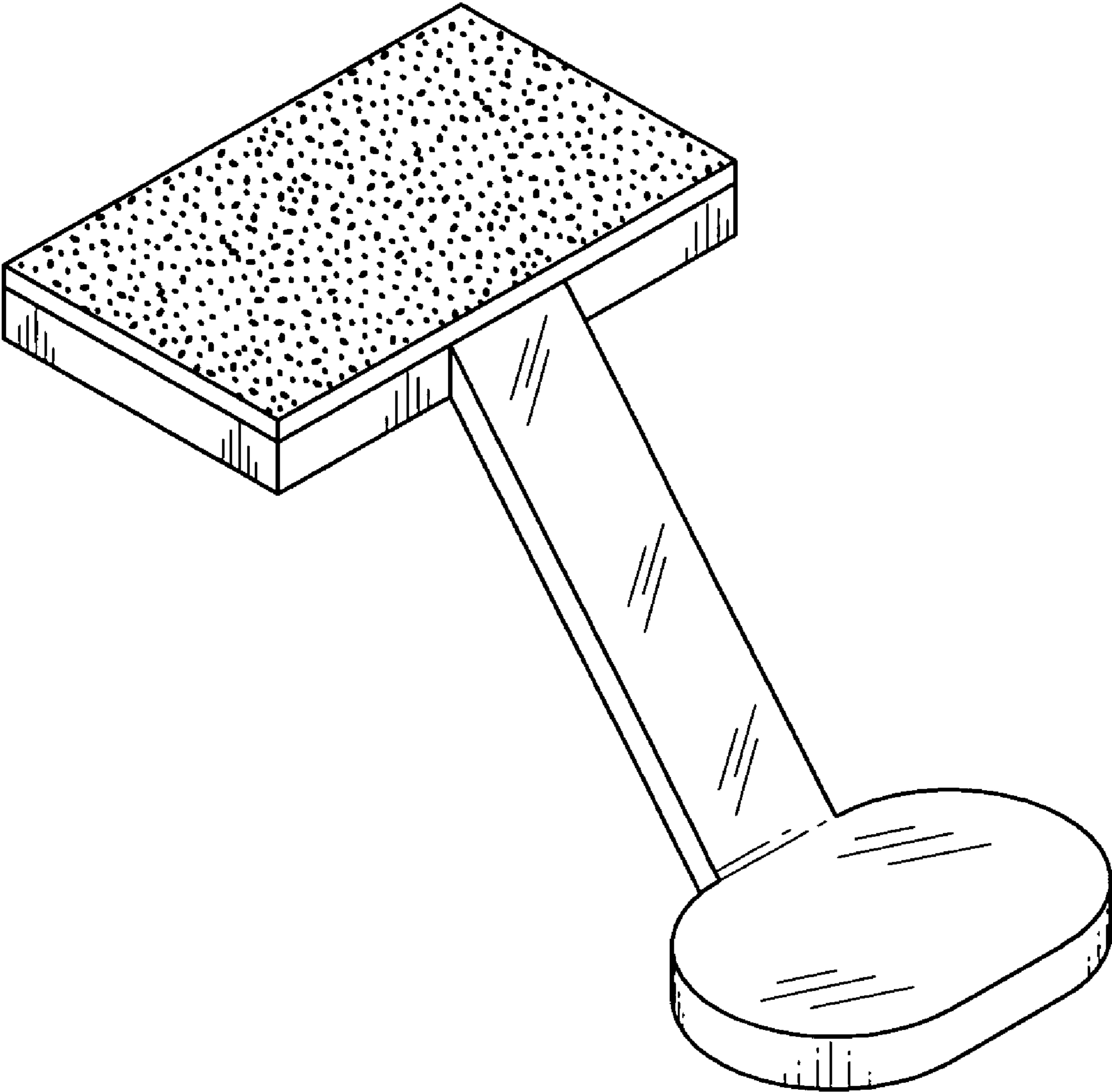


FIG. 1

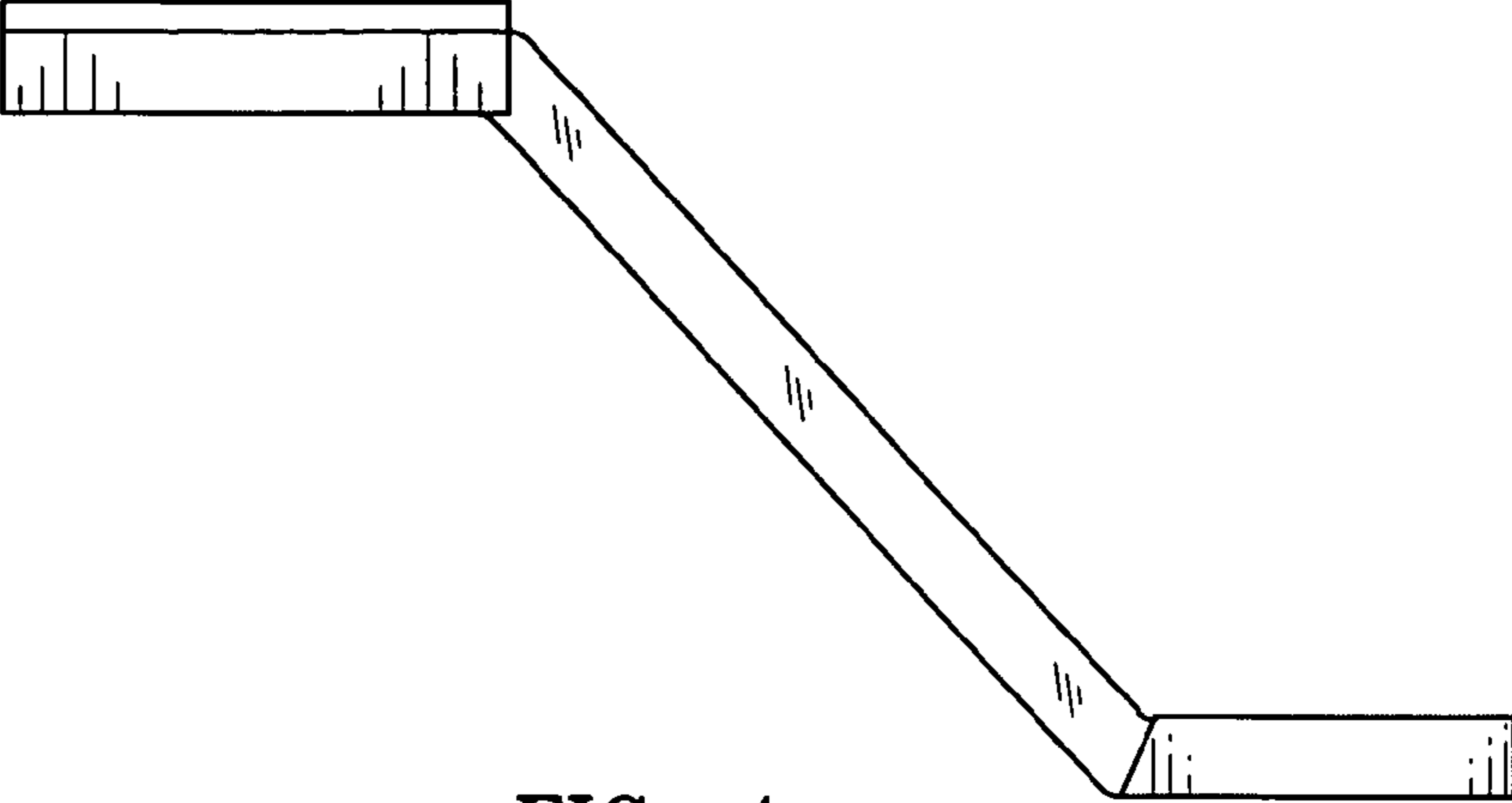


FIG. 4

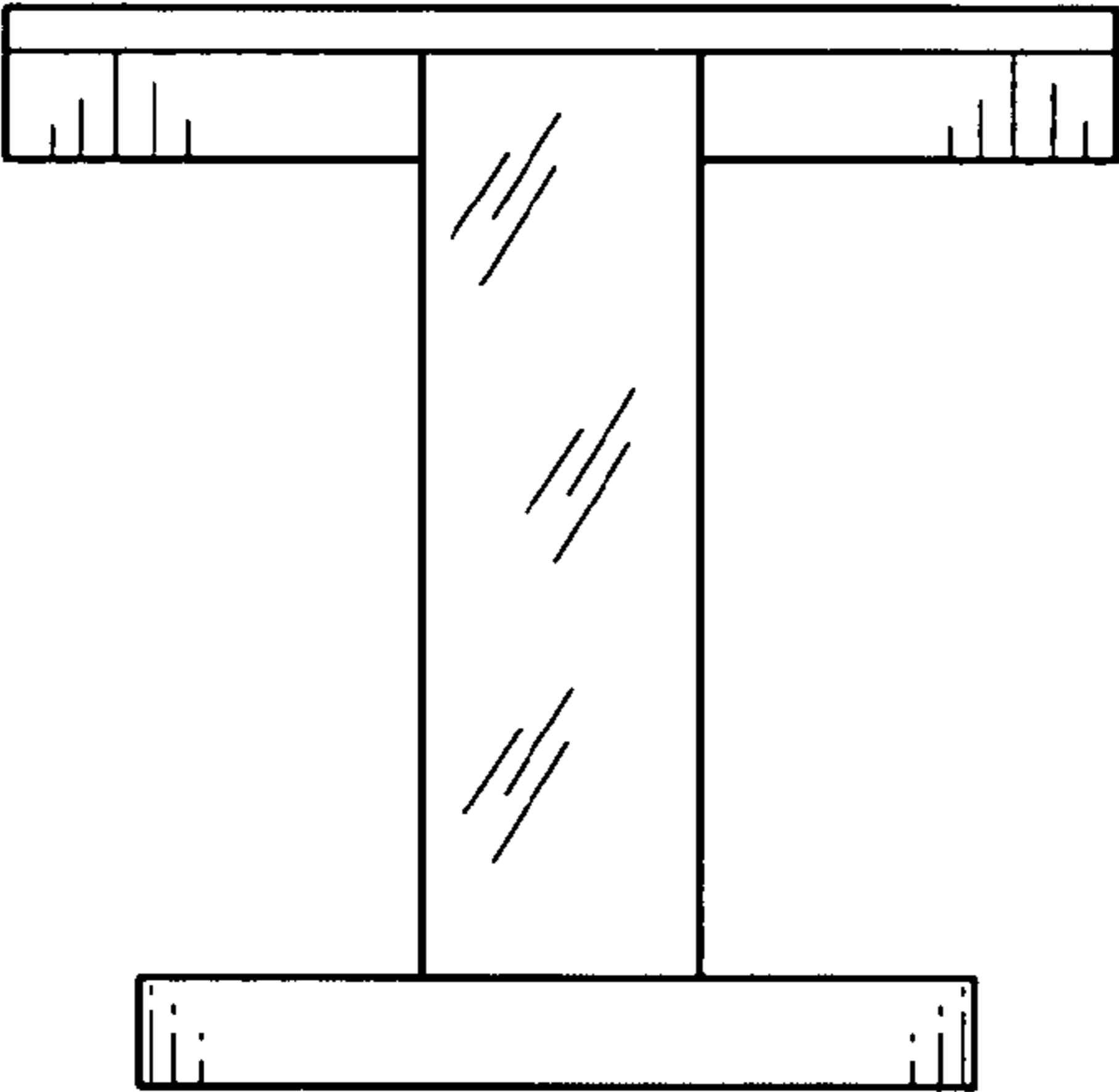


FIG. 2

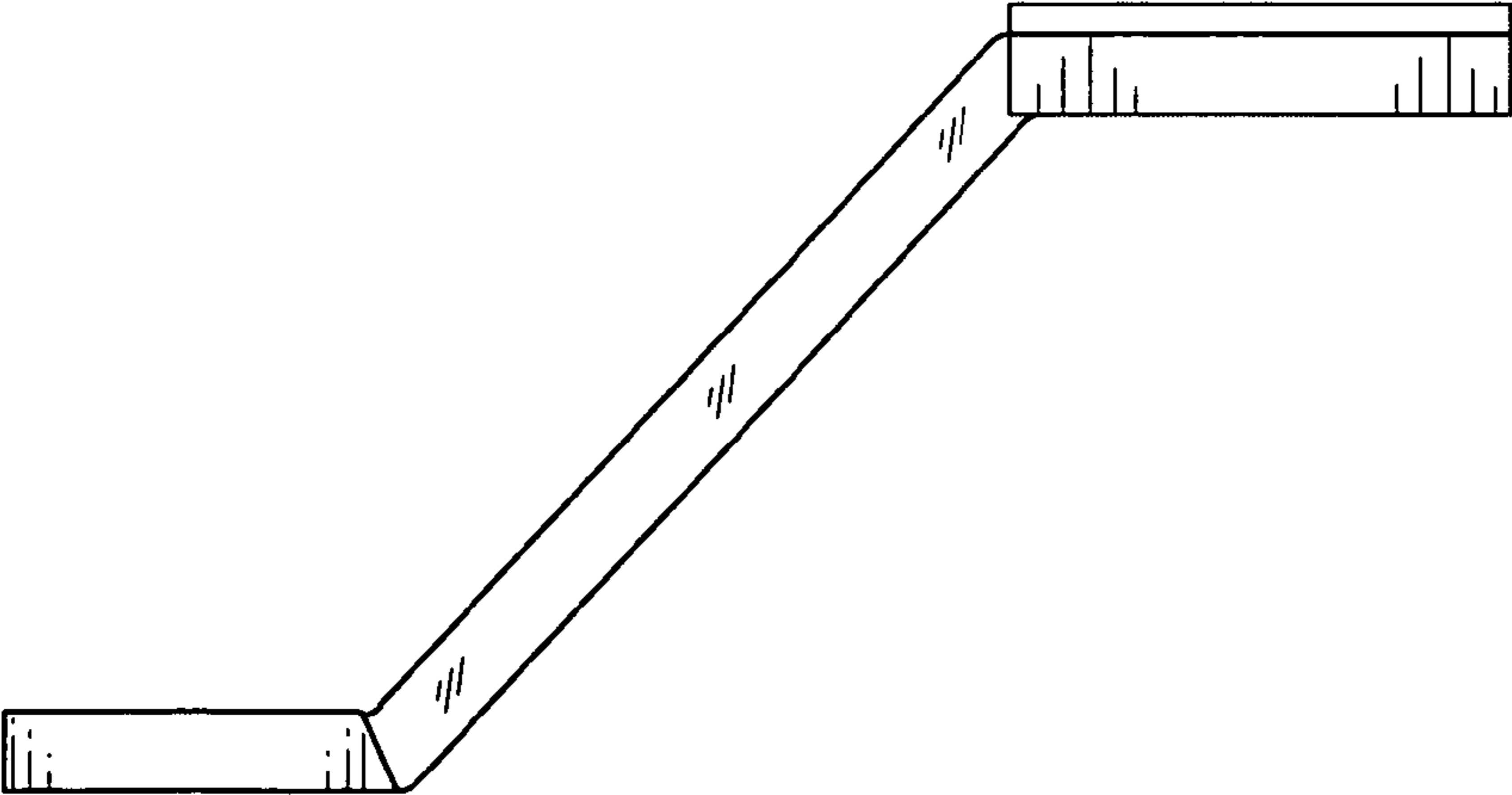


FIG. 3

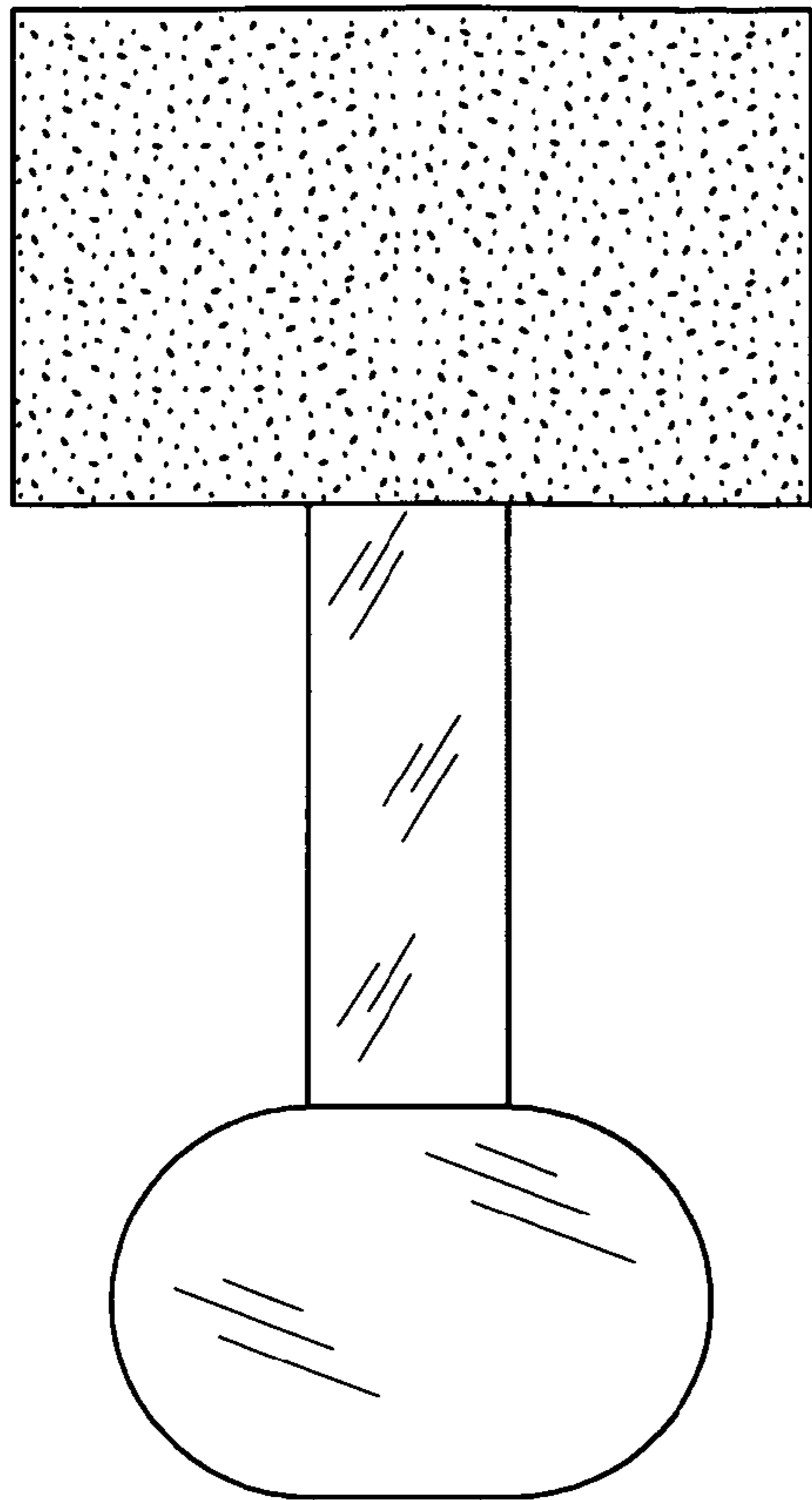


FIG. 6

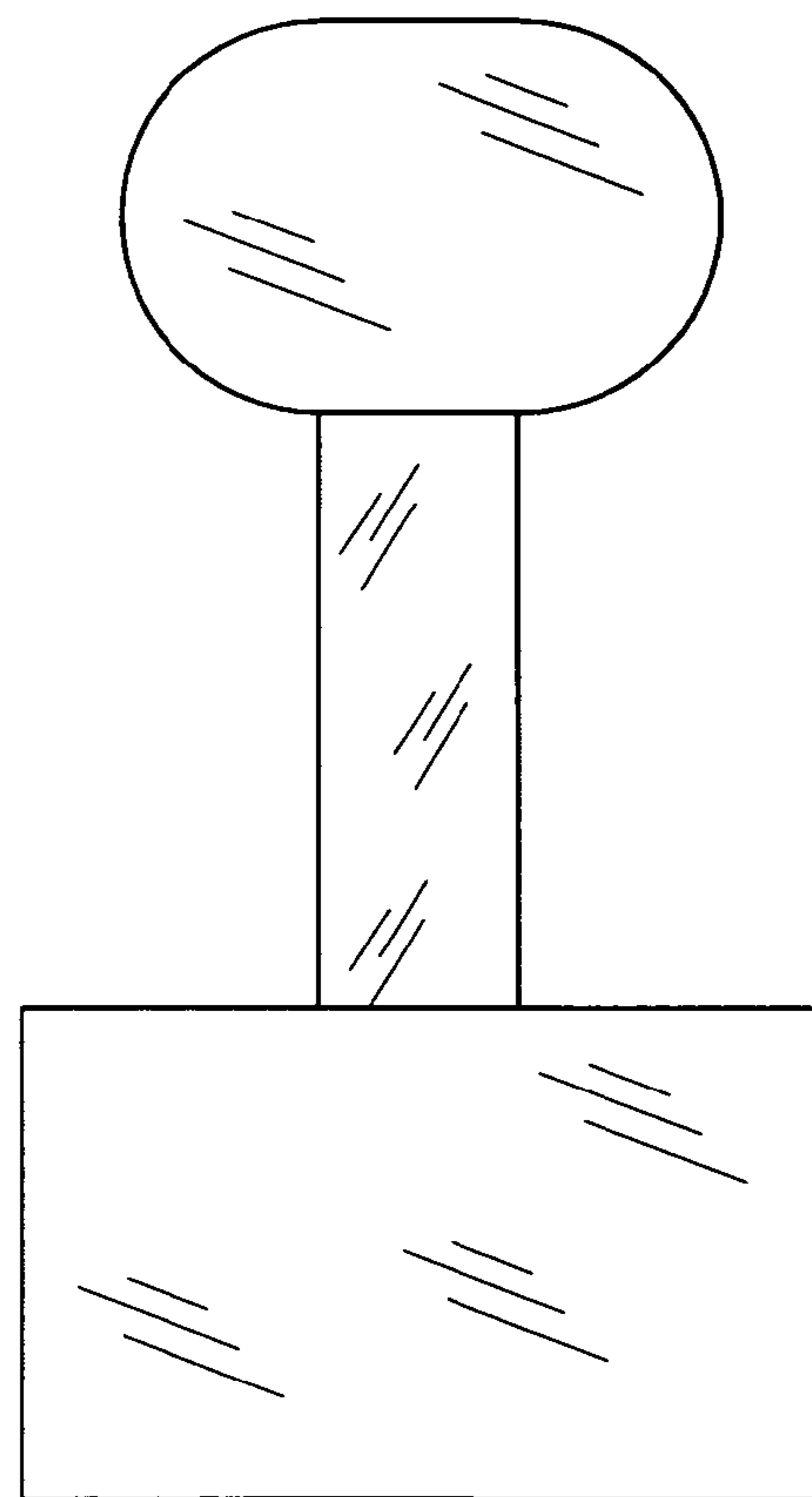


FIG. 7

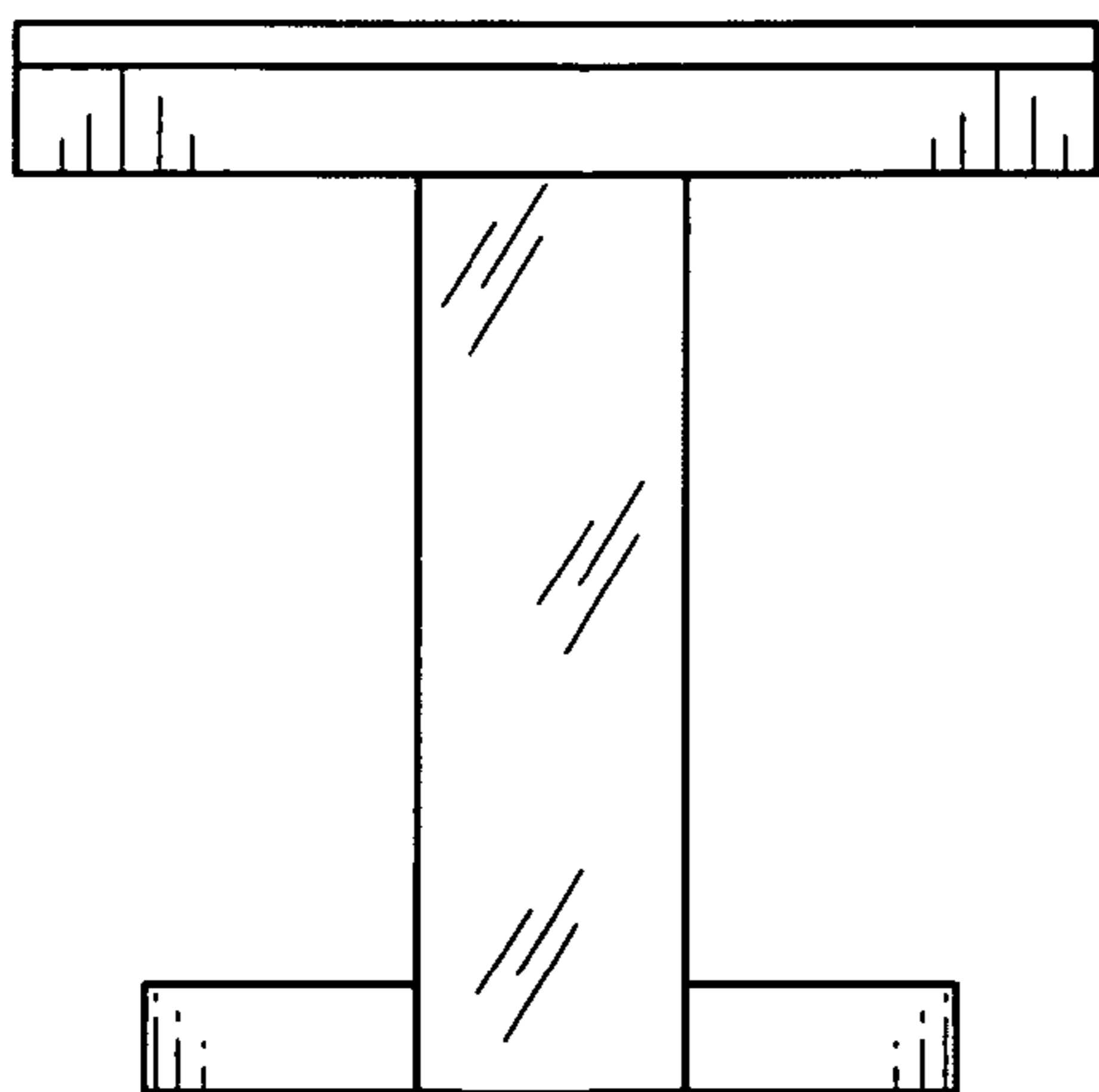


FIG. 5