



US00D622125S

(12) **United States Design Patent**
Robinson

(10) **Patent No.:** **US D622,125 S**

(45) **Date of Patent:** **** Aug. 24, 2010**

(54) **MULTI-TOOL DEVICE WITH
SCREWDRIVER AND FLASHLIGHT**

(75) **Inventor:** **Glenn Robinson**, Coral Springs, FL
(US)

(73) **Assignee:** **IBT Holdings, Inc**, Deerfield Beach, FL
(US)

(**) **Term:** **14 Years**

(21) **Appl. No.:** **29/349,705**

(22) **Filed:** **Apr. 26, 2010**

(51) **LOC (9) Cl.** **08-05**

(52) **U.S. Cl.** **D8/105; D26/38**

(58) **Field of Classification Search** D8/99,
D8/58, 55, 21, 356, 367, 52, 107, 105; D19/65,
D19/44; D26/38; D3/210; 81/440, 437,
81/124.4, 177.4; 362/119, 109; 7/138
See application file for complete search history.

(56) **References Cited**

U.S. PATENT DOCUMENTS

| | | | | | | |
|-----------|----|---|---------|------------------|-------|---------|
| D156,677 | S | * | 12/1949 | Smith | | D8/21 |
| 4,759,645 | A | * | 7/1988 | Kuo | | 384/396 |
| 5,146,815 | A | * | 9/1992 | Scott, III | | 81/437 |
| 5,313,376 | A | * | 5/1994 | McIntosh | | 362/119 |
| 5,320,004 | A | * | 6/1994 | Hsiao | | 81/440 |
| D350,271 | S | * | 9/1994 | Landy et al. | | D8/99 |
| 5,450,774 | A | * | 9/1995 | Chang | | 81/440 |
| D382,190 | S | * | 8/1997 | Blackston et al. | | D8/107 |
| D383,048 | S | * | 9/1997 | Sorensen et al. | | D8/107 |
| 5,711,042 | A | * | 1/1998 | Chuang | | 7/138 |
| D427,875 | S | * | 7/2000 | Chiu | | D8/105 |
| 6,128,981 | A | * | 10/2000 | Bondhus et al. | | 81/440 |
| D437,541 | S | * | 2/2001 | Hermansen et al. | | D8/105 |
| 6,286,168 | B1 | * | 9/2001 | Woodruff et al. | | 7/138 |
| D450,229 | S | * | 11/2001 | Lin | | D8/107 |

| | | | | | | |
|-----------|----|---|---------|------------|-------|----------|
| D468,770 | S | * | 1/2003 | Rosenbaum | | D19/44 |
| 6,564,678 | B1 | * | 5/2003 | Wang | | 81/124.4 |
| D515,391 | S | * | 2/2006 | Hawkins | | D8/105 |
| 7,047,847 | B2 | * | 5/2006 | Chuang | | 81/440 |
| D549,542 | S | * | 8/2007 | Chiang | | D8/105 |
| D603,239 | S | * | 11/2009 | Kunzendorf | | D8/105 |

* cited by examiner

Primary Examiner—Austin Murphy

(74) *Attorney, Agent, or Firm*—Dan M. DeLa Rosa

(57) **CLAIM**

The ornamental design for a multi-tool device with screwdriver and flashlight, as shown and described.

DESCRIPTION

FIG. 1 is a front perspective view of the multi-tool device of the present invention showing my new design in a closed position;

FIG. 2 is a front side elevational view thereof;

FIG. 3 is a back side elevational view thereof;

FIG. 4 is a side elevational view thereof;

FIG. 5 is another side elevational view thereof;

FIG. 6 is a top plan view thereof;

FIG. 7 is a bottom plan view thereof; and

FIG. 8 is a front perspective view of the device with the screwdrivers and flashlight in an opened position;

FIG. 9 is a front side elevational view of FIG. 8;

FIG. 10 is a back side elevational view of FIG. 8;

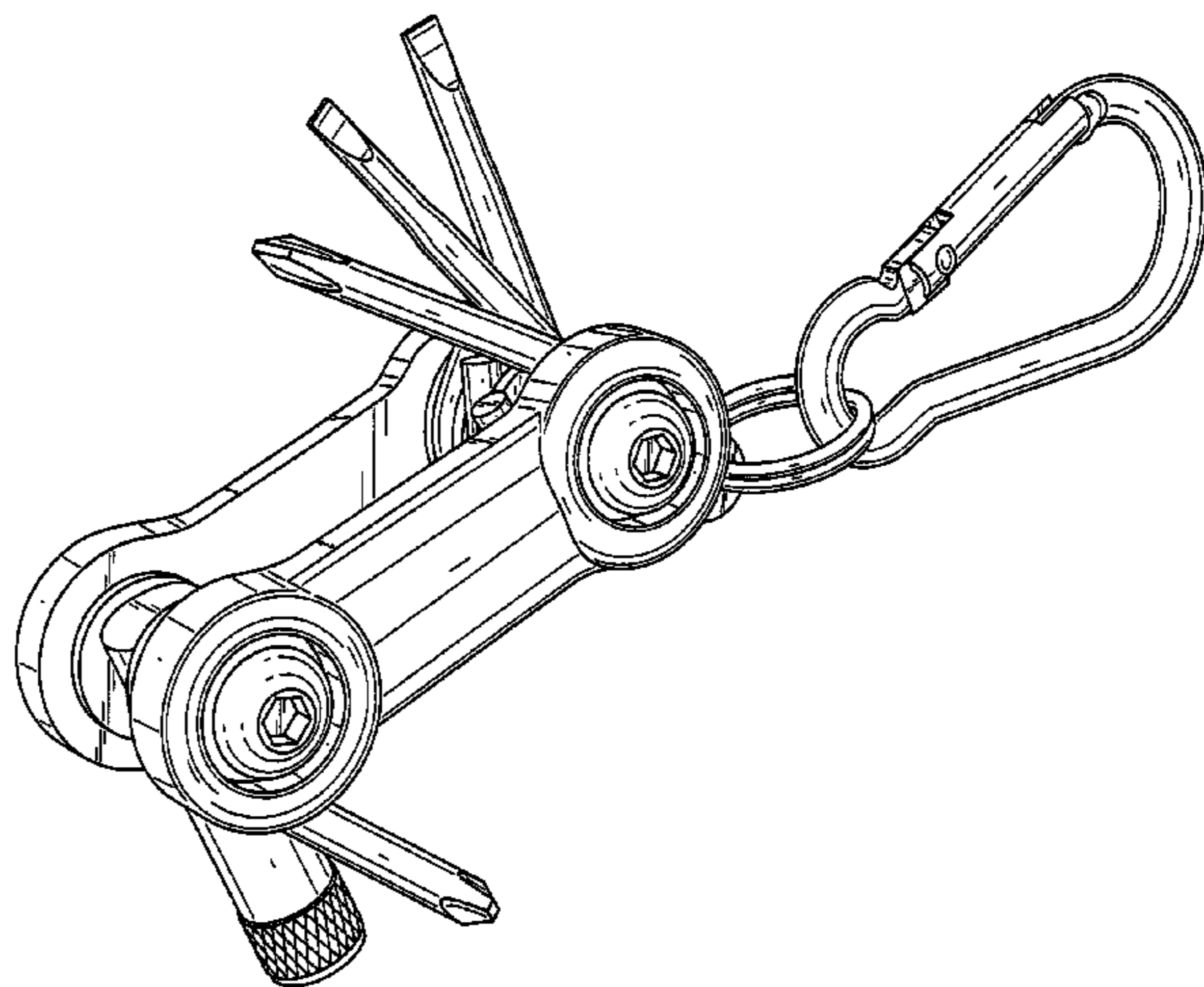
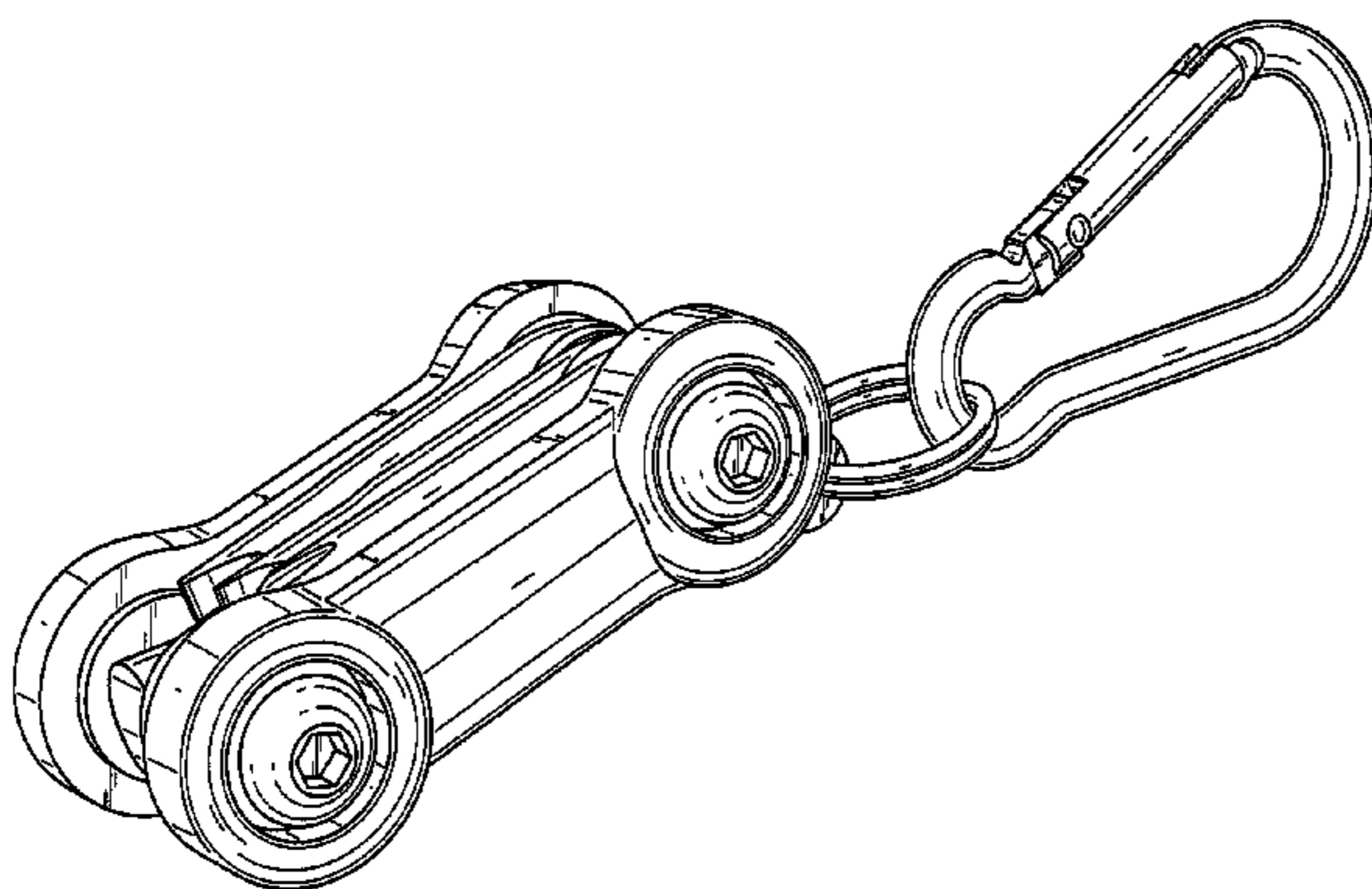
FIG. 11 is a side elevational view of FIG. 8;

FIG. 12 is another side elevational view of FIG. 8;

FIG. 13 is a top plan view of FIG. 8; and,

FIG. 14 is a bottom plan view of FIG. 8.

1 Claim, 12 Drawing Sheets



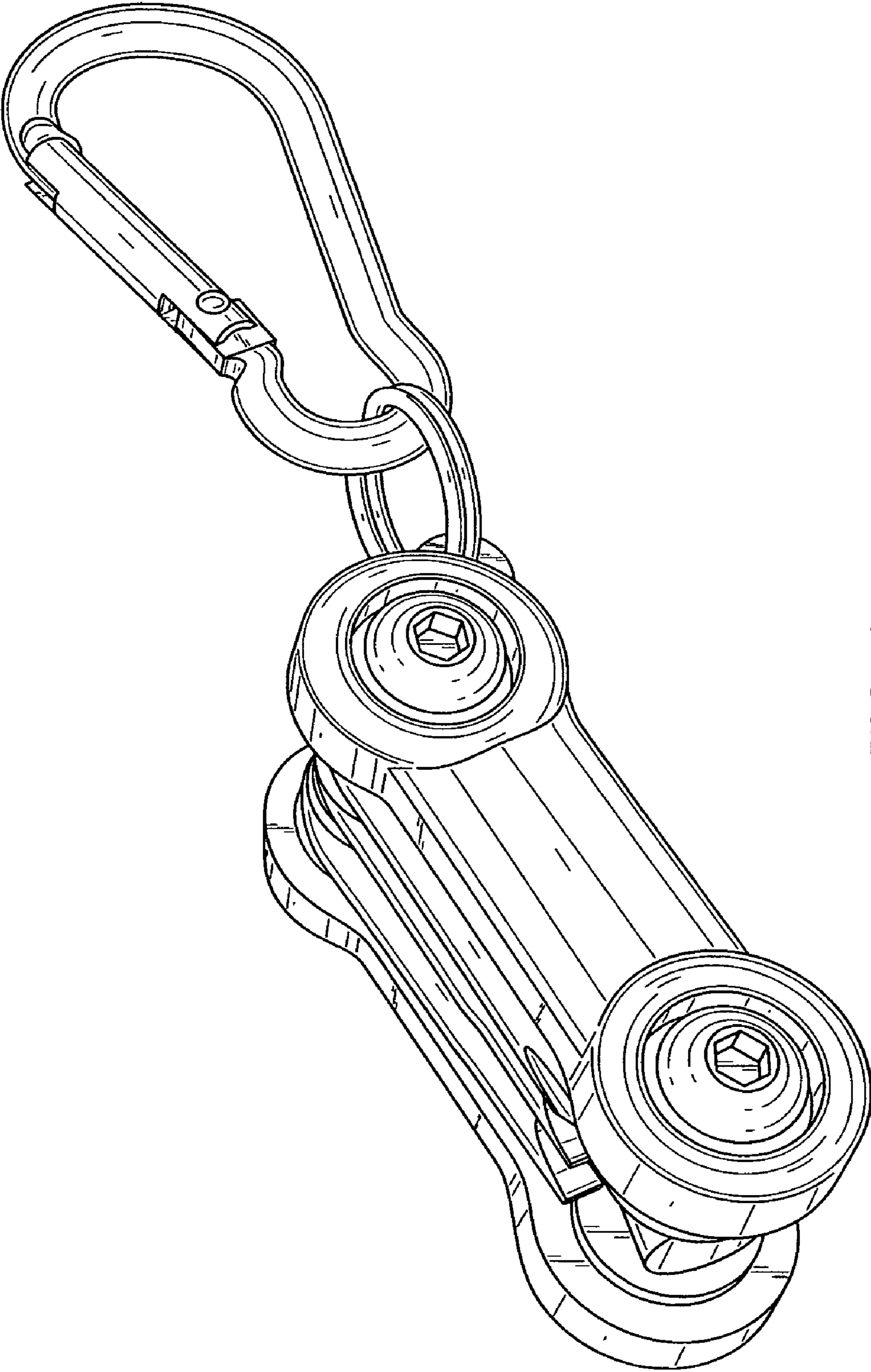


FIG. 1

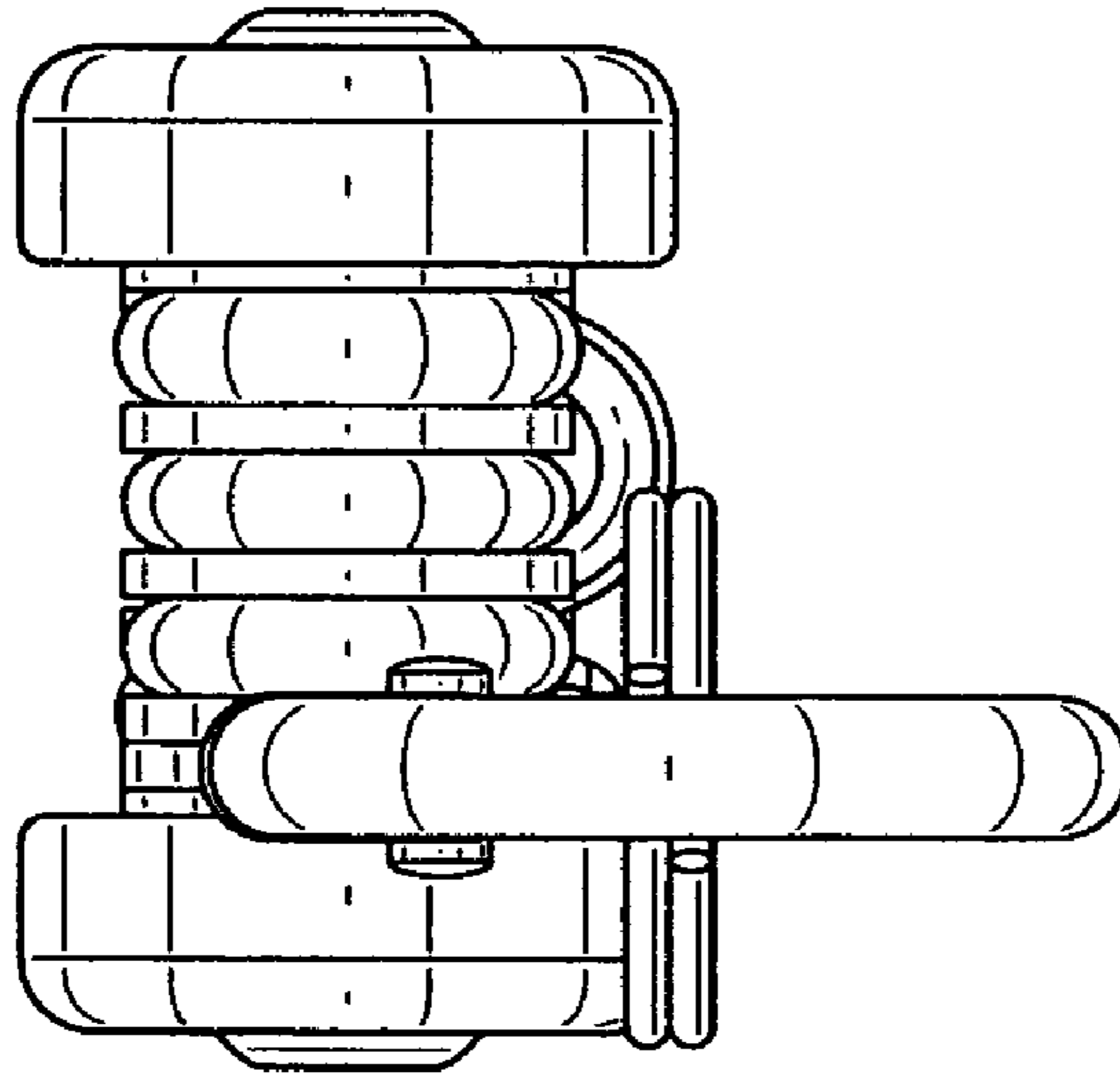


FIG. 3

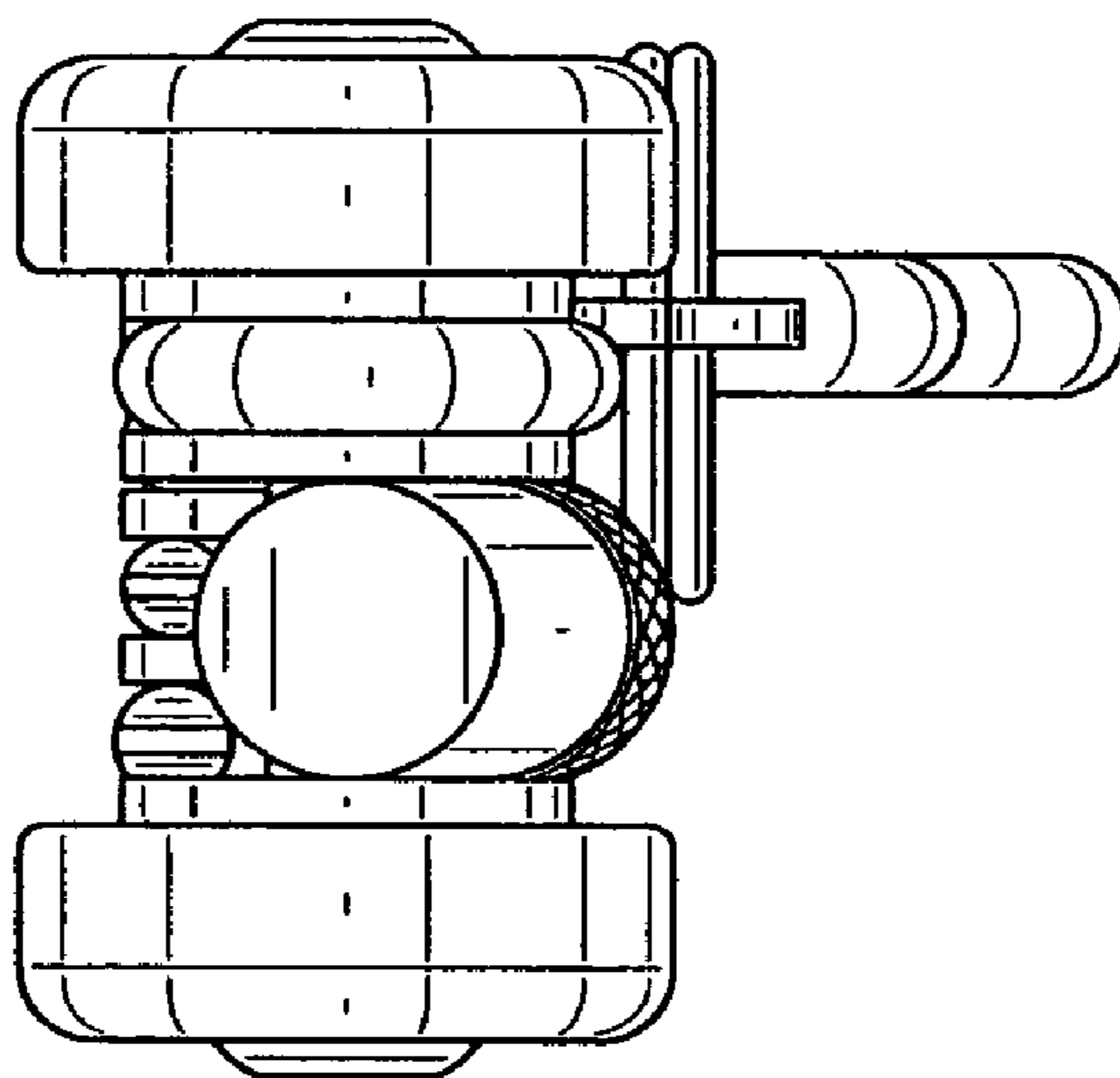


FIG. 2

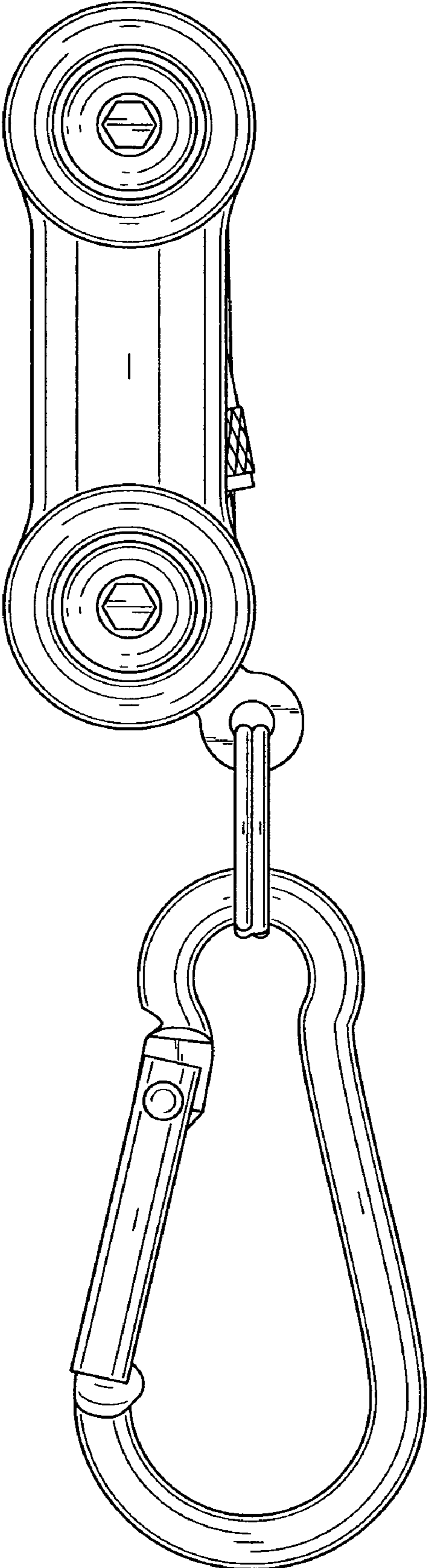


FIG. 4

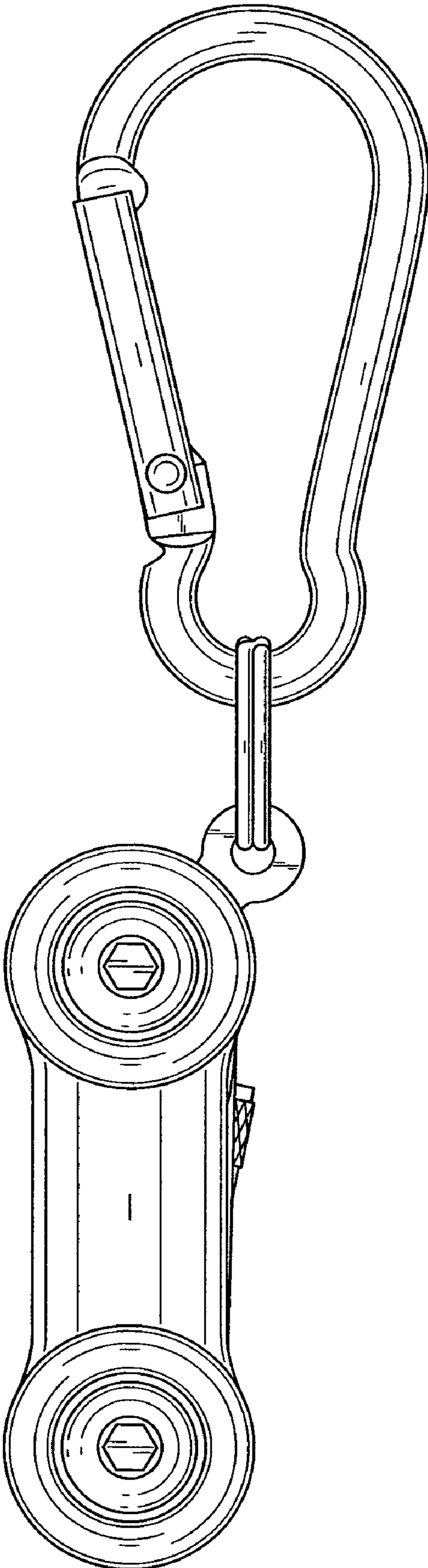


FIG. 5

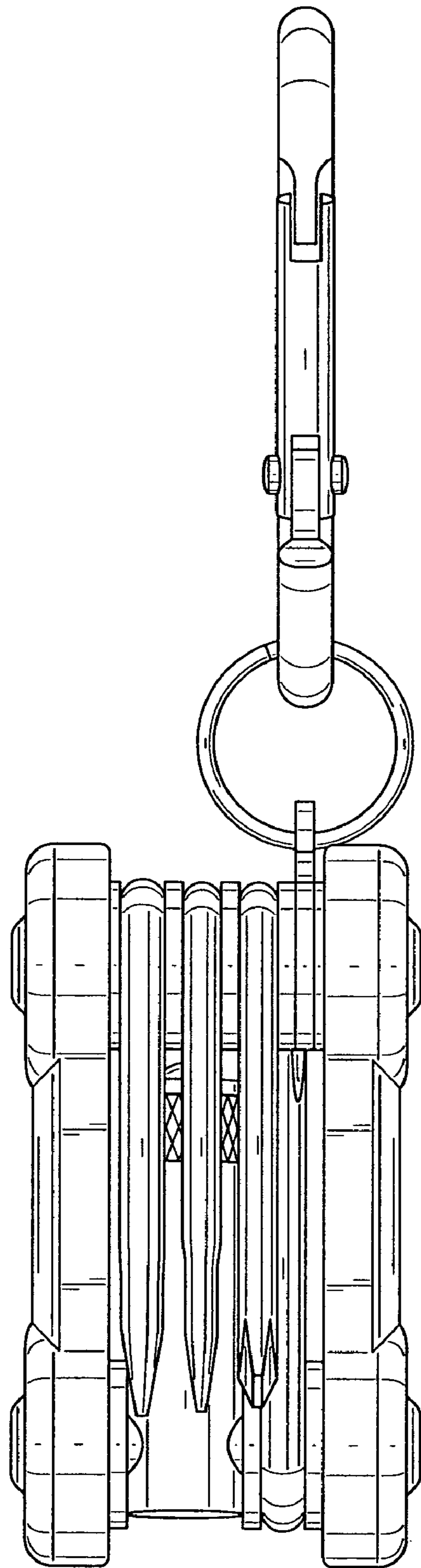


FIG. 6

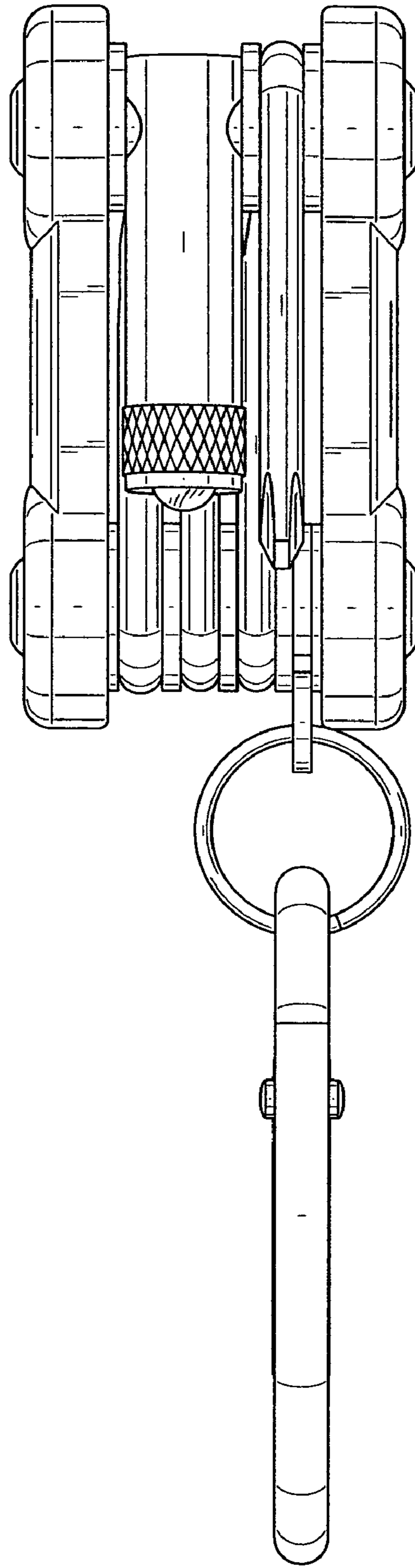


FIG. 7

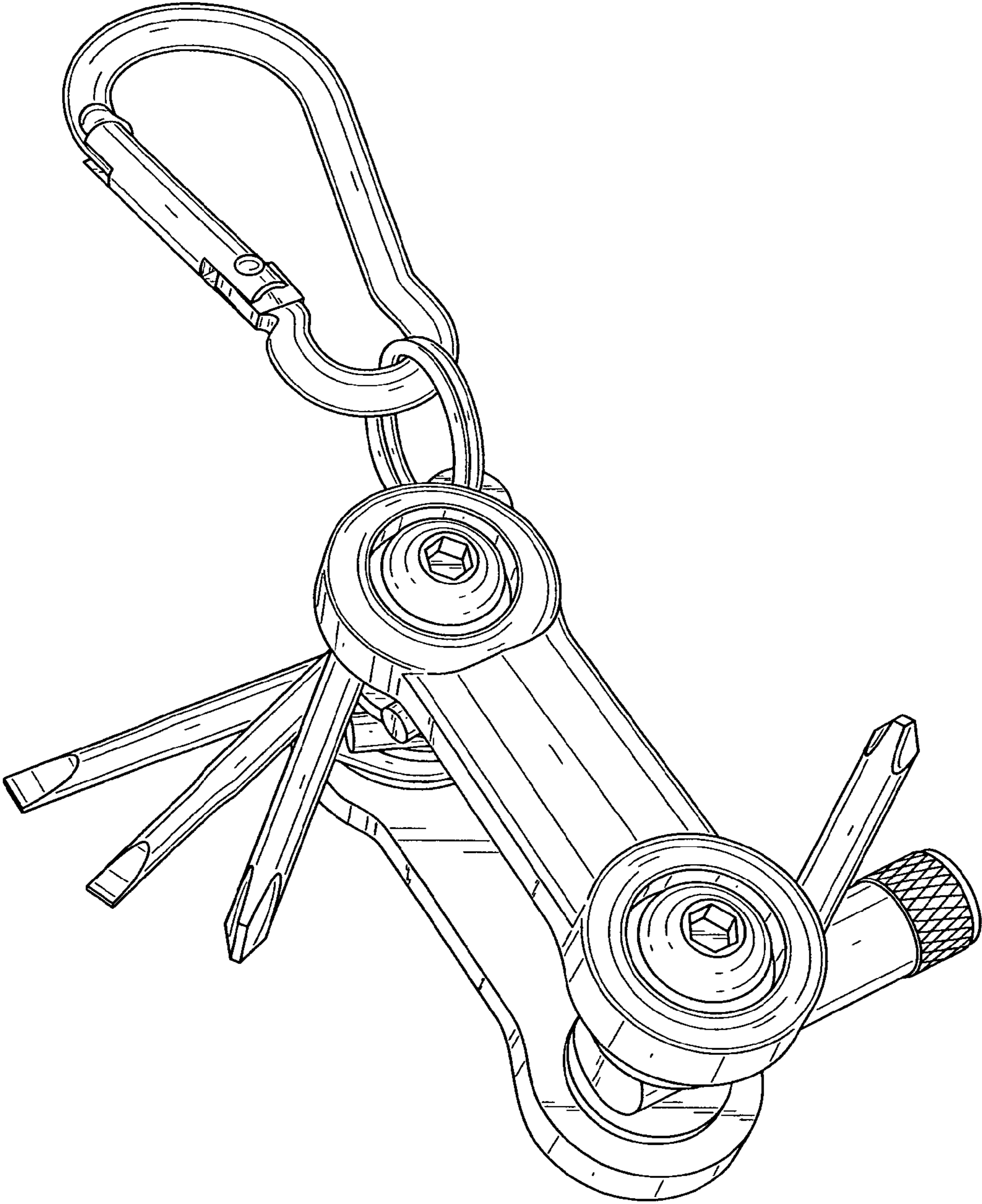


FIG. 8

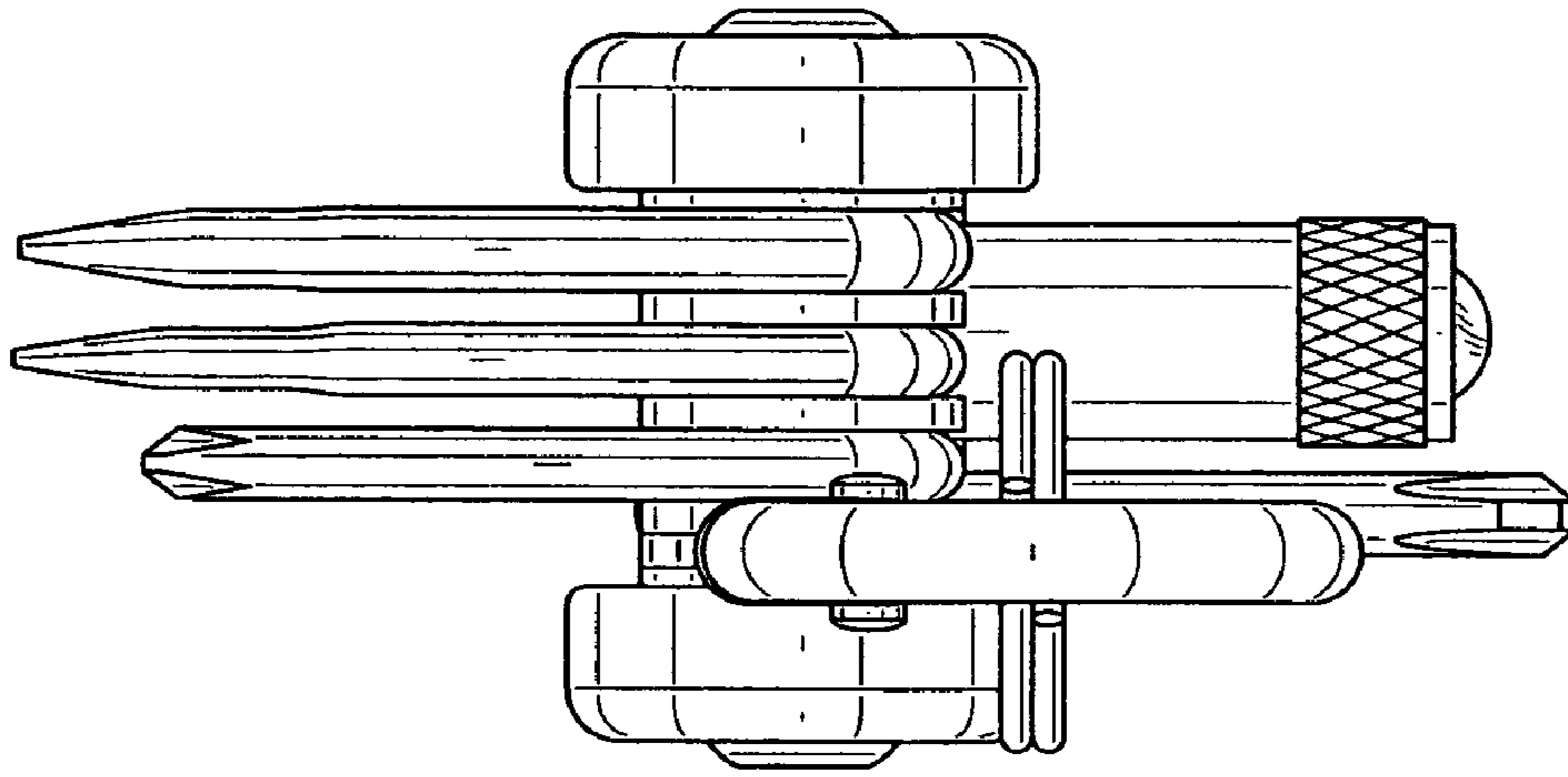


FIG. 10

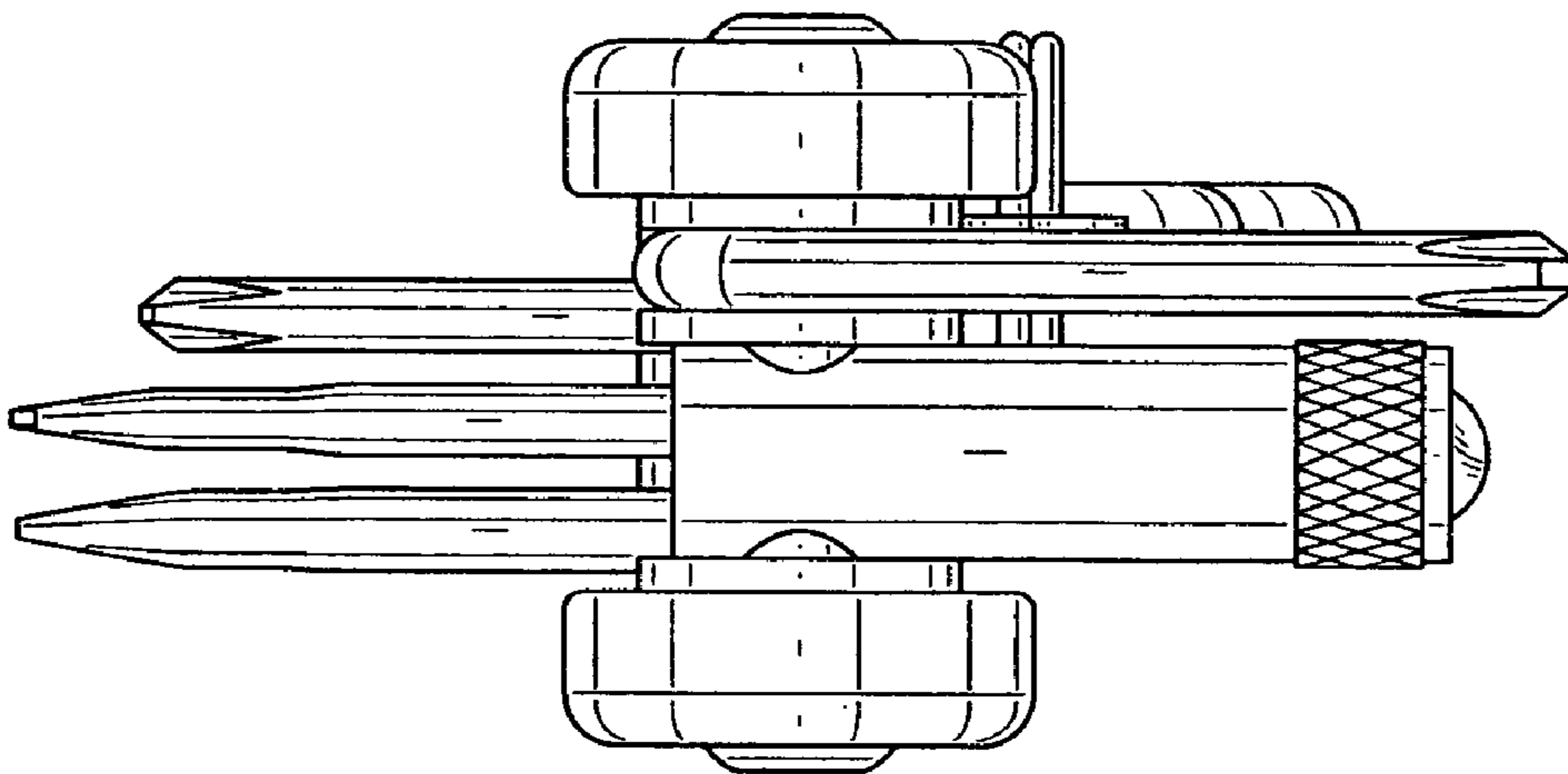


FIG. 9

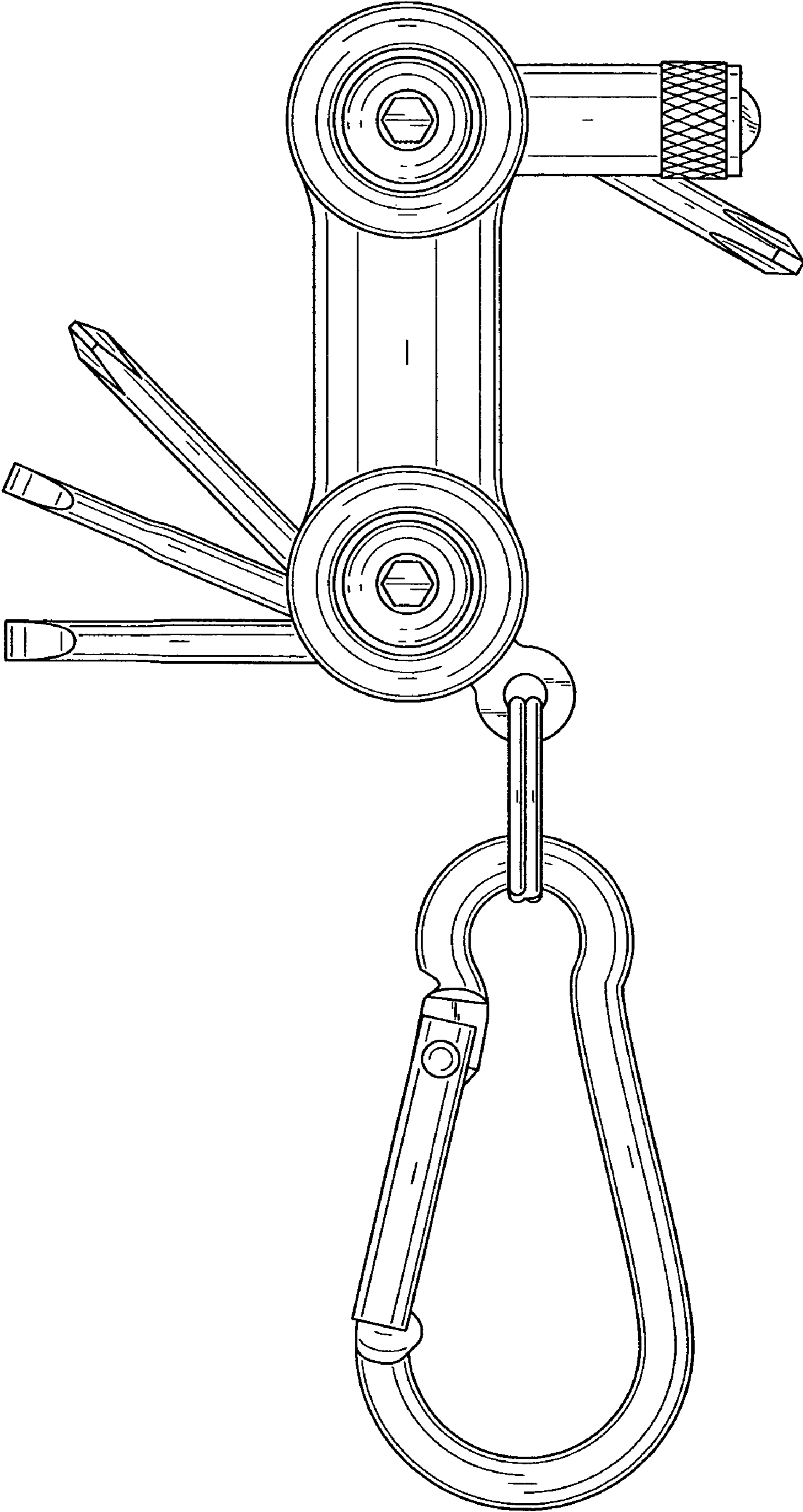


FIG. 11

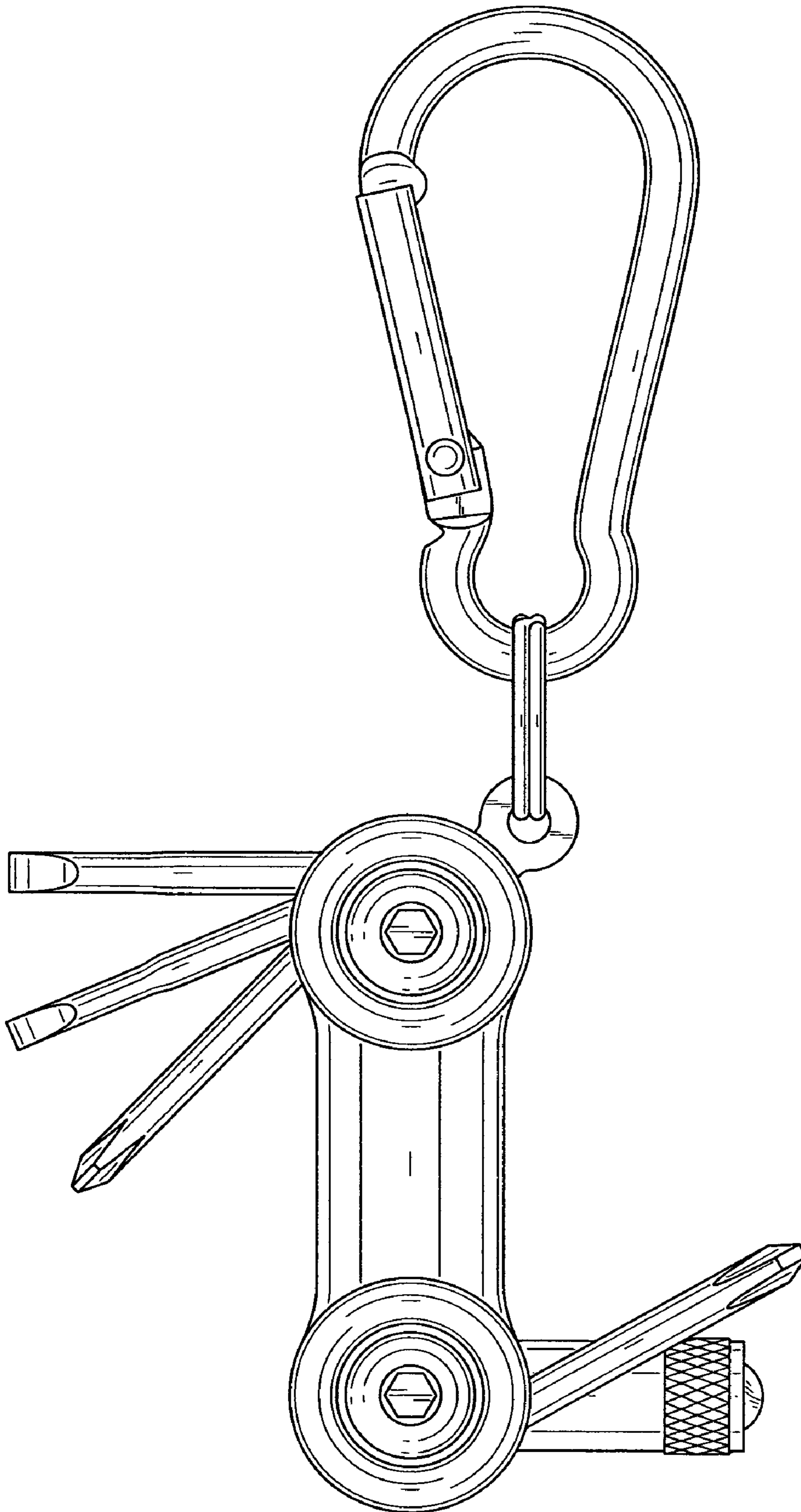


FIG. 12

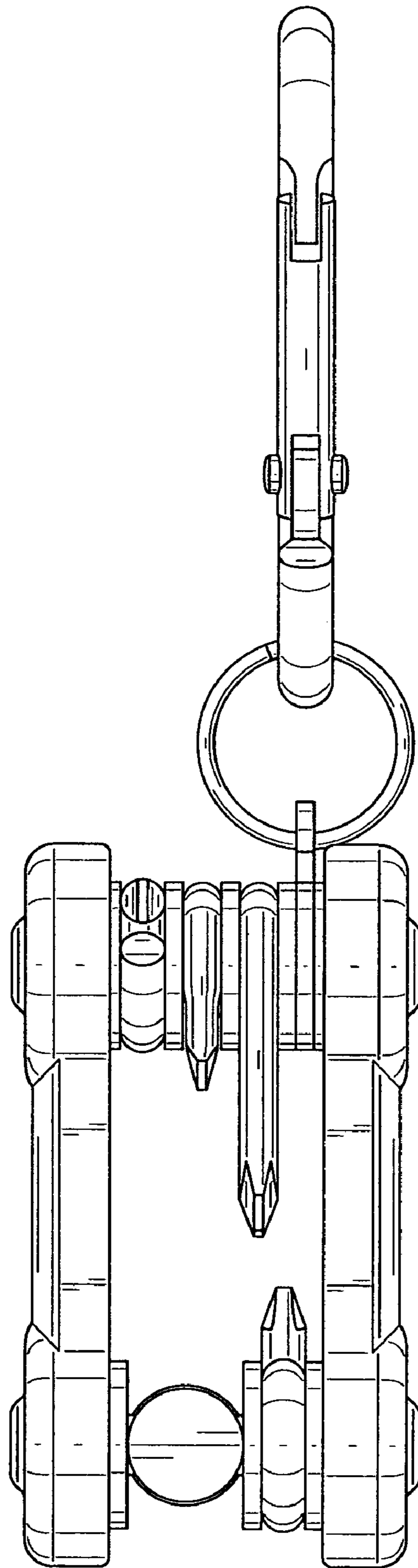


FIG. 13

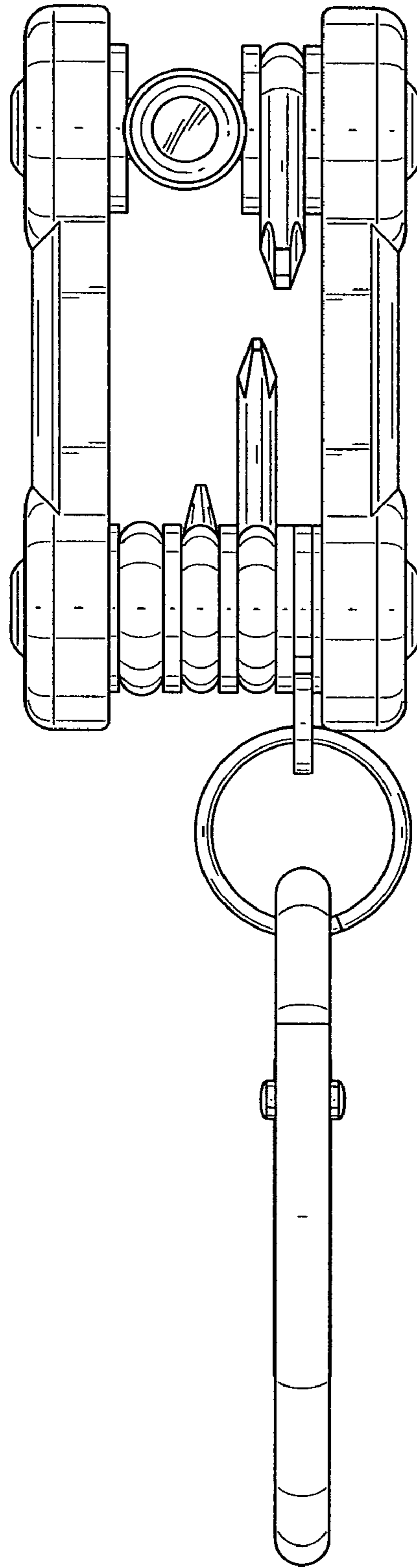


FIG. 14