



US00D622123S

(12) **United States Design Patent**
Zubiaurre Alberdi et al.

(10) **Patent No.:** **US D622,123 S**

(45) **Date of Patent:** **** Aug. 24, 2010**

(54) **HAMMER HEAD**

(76) Inventors: **Manuel Zubiaurre Alberdi**, Poligono Ibaitearte, Pabellon A-7, Elgoibar, (Gipuzkoa) (ES) 20870; **Pedro Jose Zubiaurre Alberdi**, Poligono Ibaitearte, Pabellon A-7, Elgoibar, (Gipuzkoa) (ES) 20870

(**) Term: **14 Years**

(21) Appl. No.: **29/304,715**

(22) Filed: **Mar. 6, 2008**

(51) **LOC (9) Cl.** **08-02**

(52) **U.S. Cl.** **D8/78**

(58) **Field of Classification Search** D8/75-81,
D8/107; 81/19-22; 173/90

See application file for complete search history.

(56) **References Cited**

U.S. PATENT DOCUMENTS

D57,706 S *	4/1921	Moorhouse	D8/75
D152,647 S *	2/1949	Pavlinetz	D8/77
D179,018 S *	10/1956	Lowe et al.	D8/77
3,128,131 A *	4/1964	Bianchini	403/248
D264,931 S *	6/1982	Jones	D8/78
D274,496 S *	7/1984	Grover et al.	D8/77
D285,284 S *	8/1986	Blomqvist	D8/77
4,683,784 A *	8/1987	Lamont	81/22
D297,503 S *	9/1988	Burton	D8/77
D350,889 S *	9/1994	Frierman	D8/78

5,758,552 A *	6/1998	Myers et al.	81/20
D463,725 S *	10/2002	Wroblewski et al.	D8/77
D477,517 S *	7/2003	Siemers	D8/78
D490,679 S *	6/2004	Hung	D8/77
D521,842 S *	5/2006	Hung	D8/78
D564,323 S *	3/2008	Zubiaurre Alberdi et al.	..	D8/78
D565,378 S *	4/2008	Zubiaurre Alberdi et al.	..	D8/78

* cited by examiner

Primary Examiner—Philip S Hyder

Assistant Examiner—Roselyne Cody

(74) *Attorney, Agent, or Firm*—Lucas & Mercanti, LLP

(57) **CLAIM**

The ornamental design for a hammer-head, substantially as shown and described.

DESCRIPTION

FIG. 1 is a front view of my hammer-head;

FIG. 2 is a back view of my hammer-head;

FIG. 3 is a right-side view of my hammer-head;

FIG. 4 is a left-side view of my hammer-head;

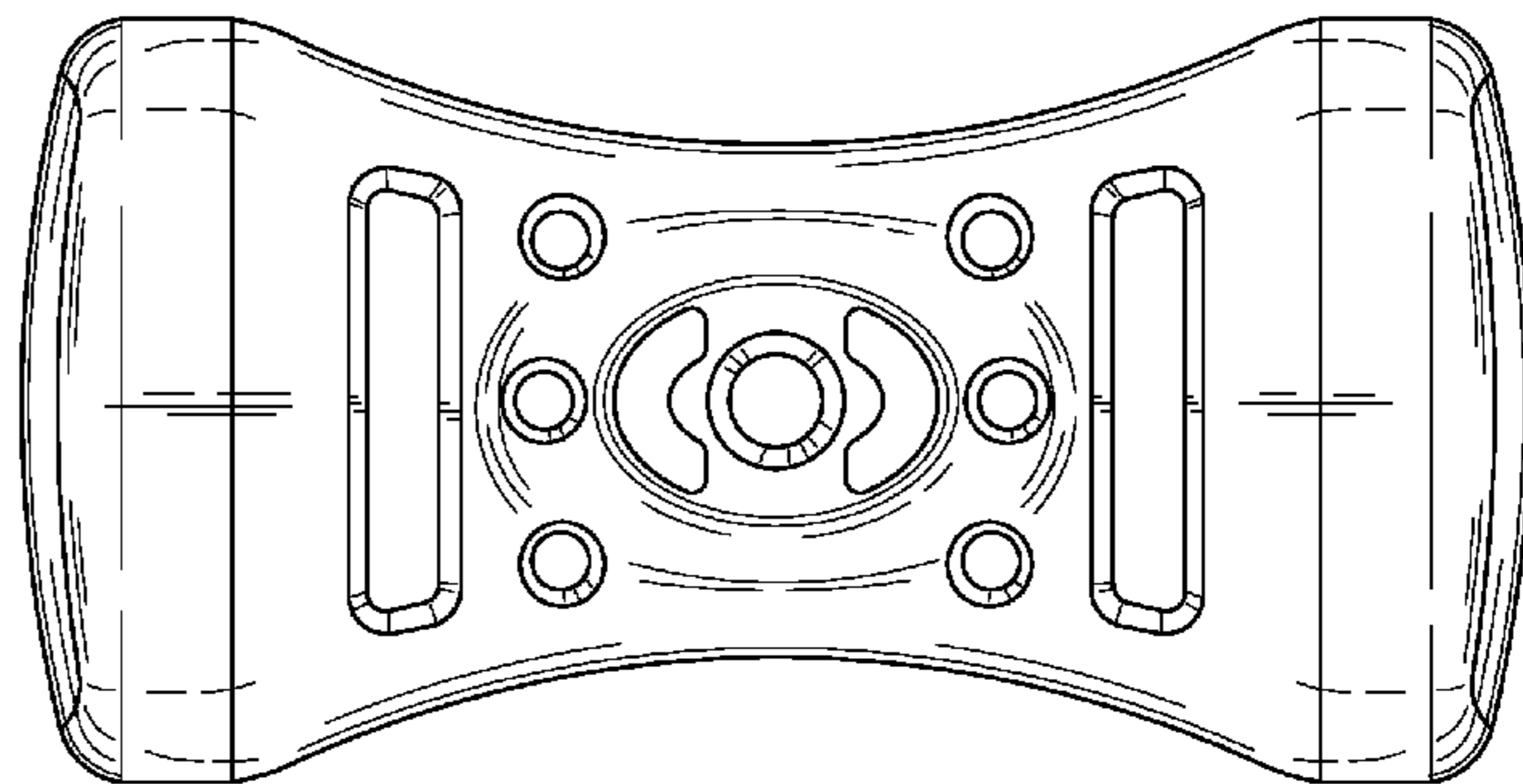
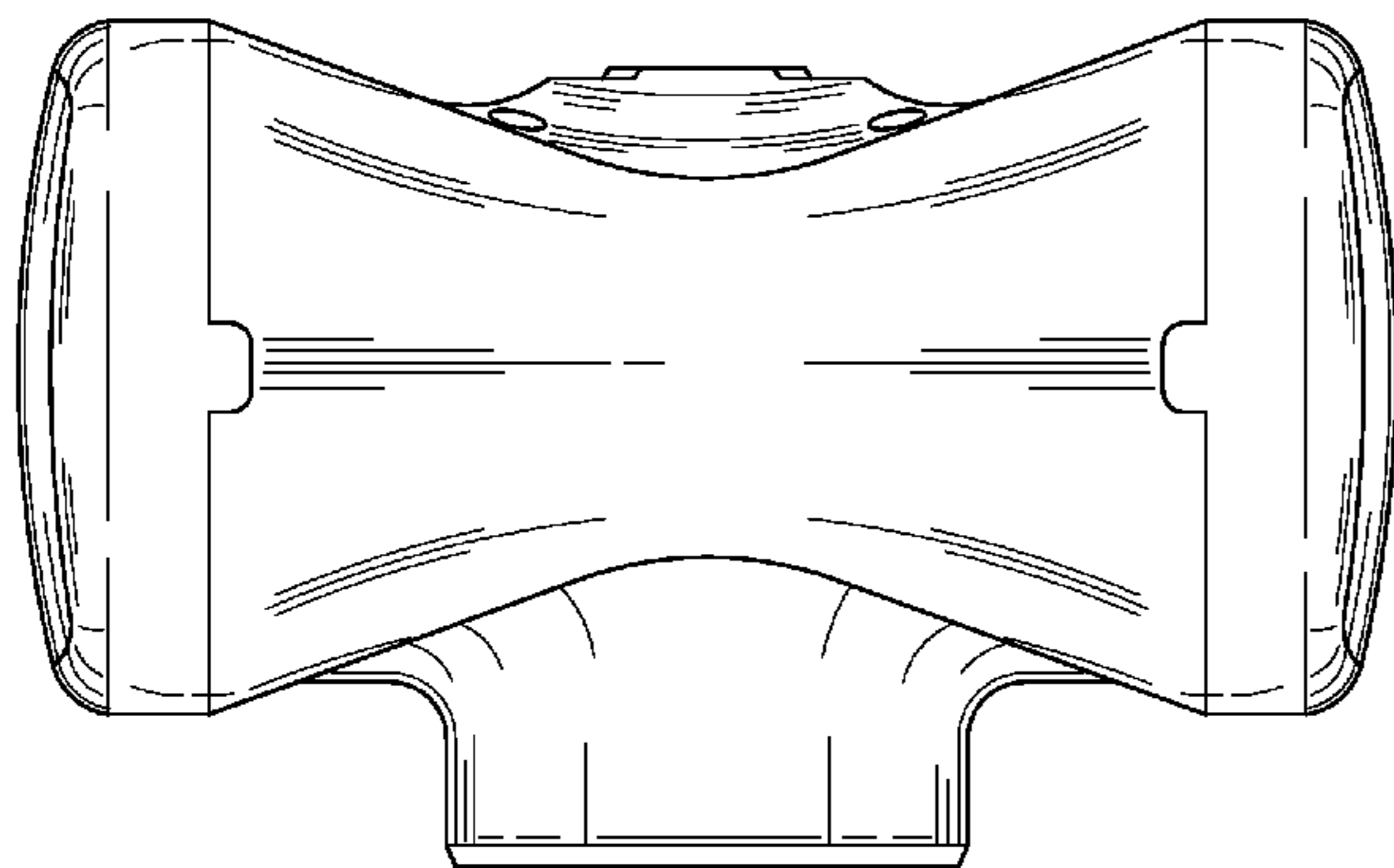
FIG. 5 is a top view of my hammer-head;

FIG. 6 is a bottom view of my hammer-head; and,

FIG. 7 is a perspective view of my hammer-head.

The broken lines in FIG. 6 illustrate portions of the design that form no part of the claim.

1 Claim, 7 Drawing Sheets



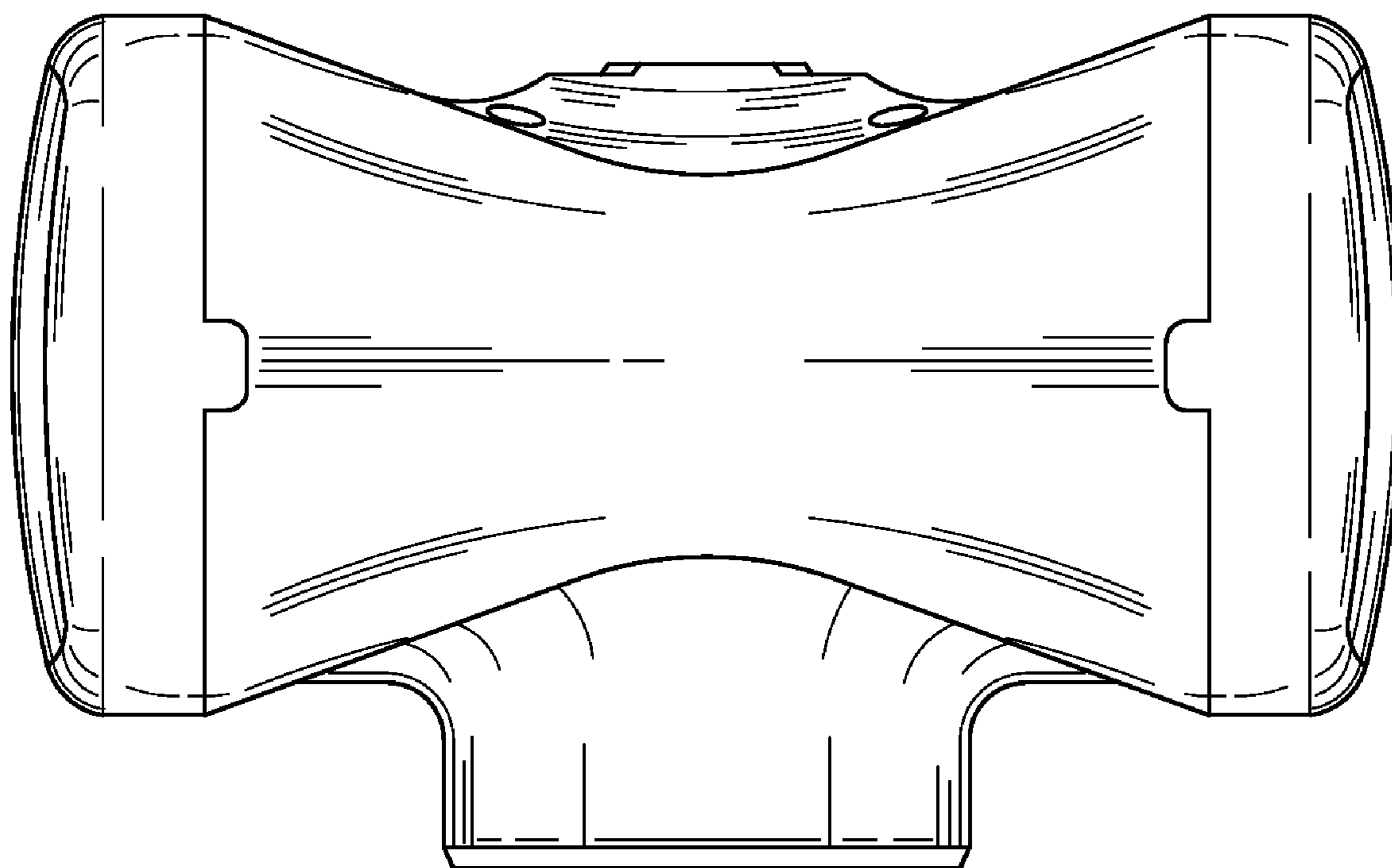


FIG. 1

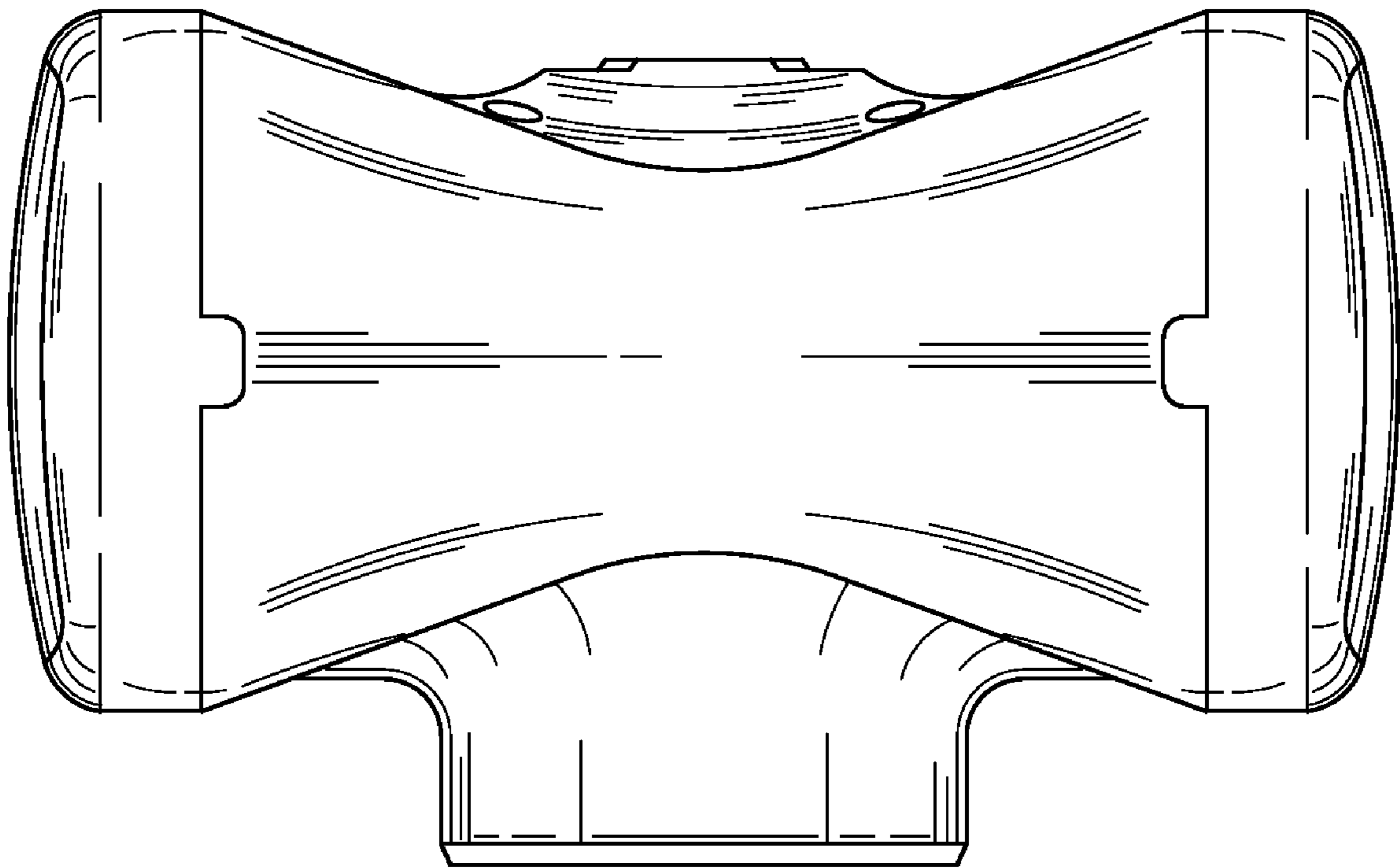


FIG. 2

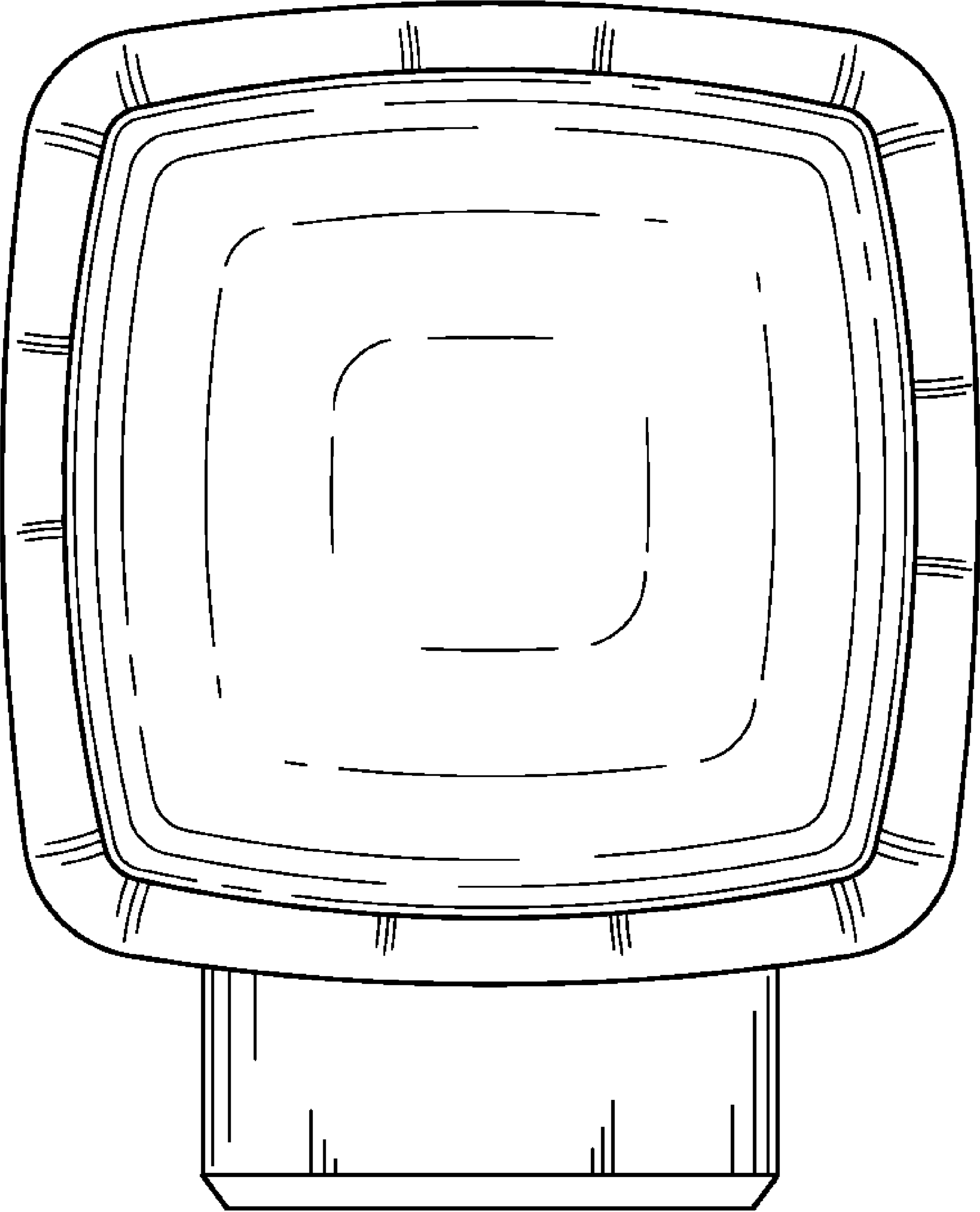


FIG. 3

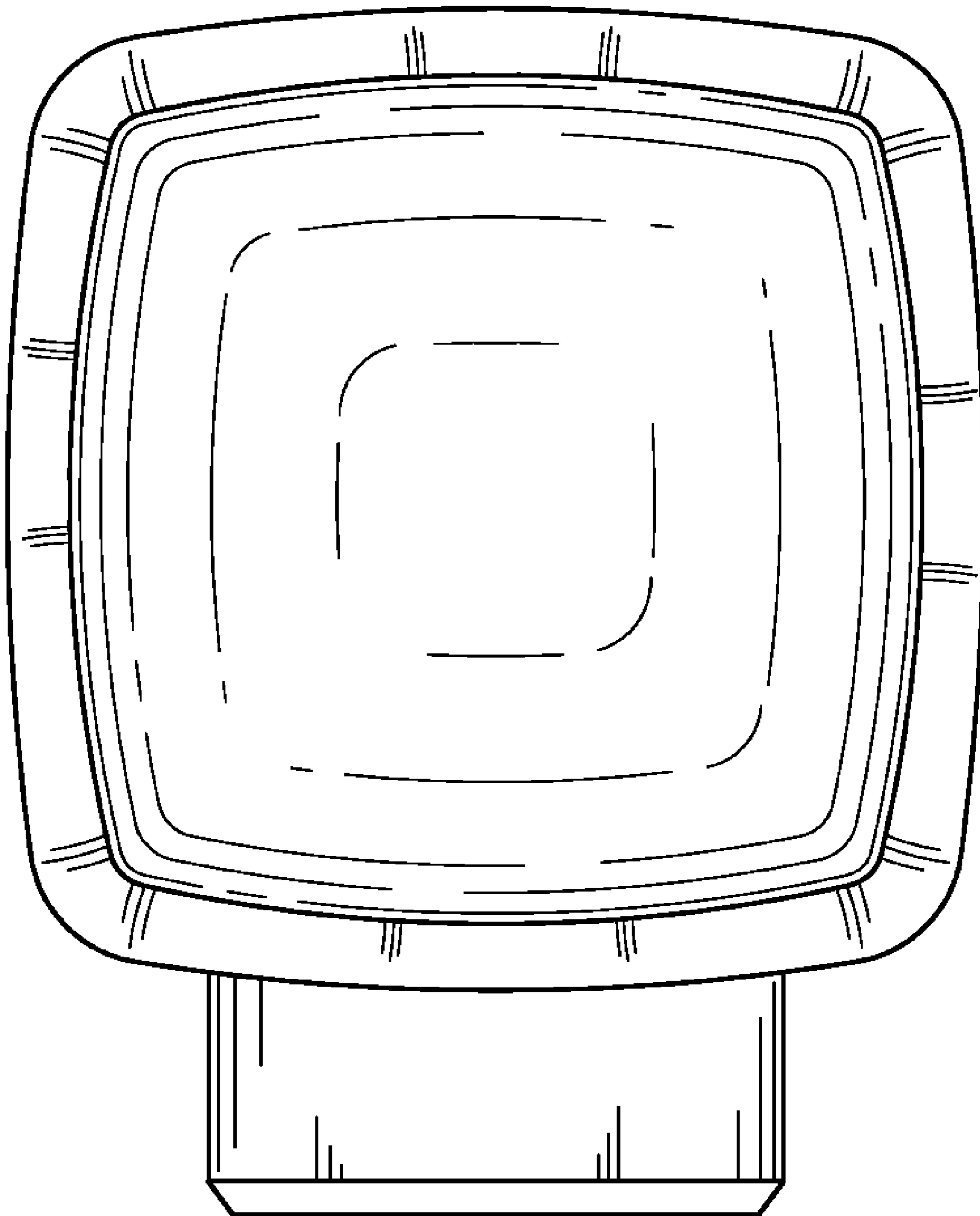


FIG. 4

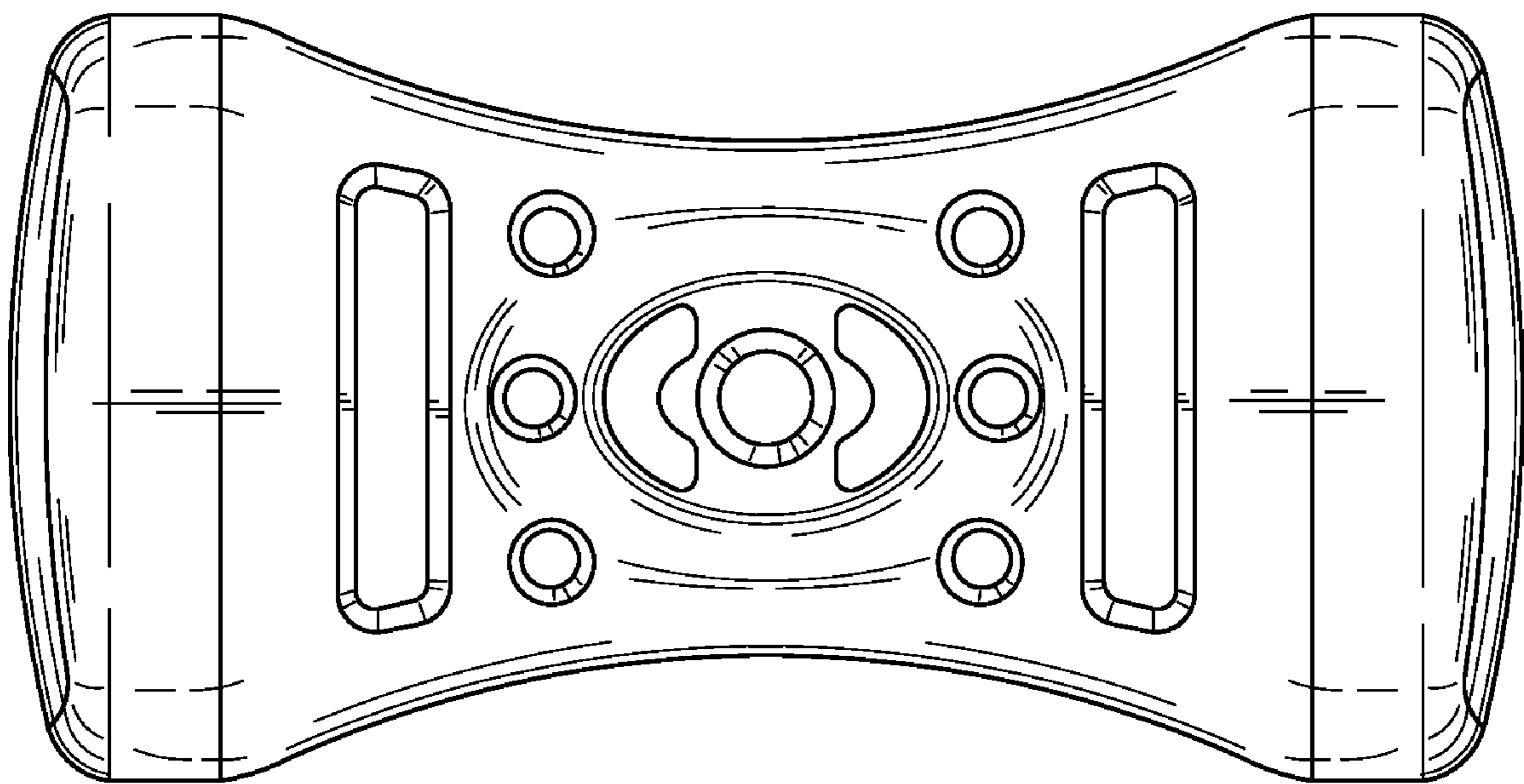


FIG. 5

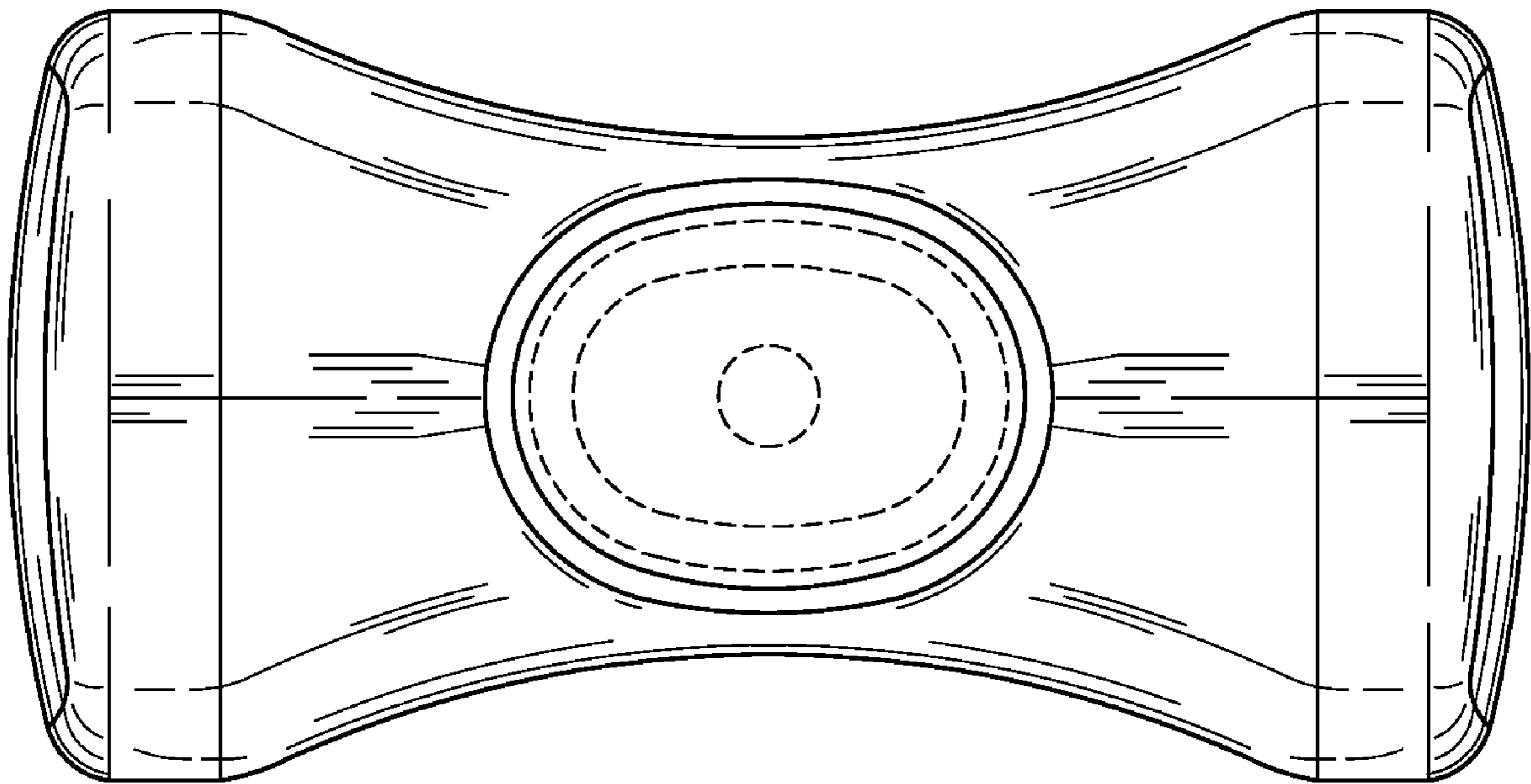


FIG. 6

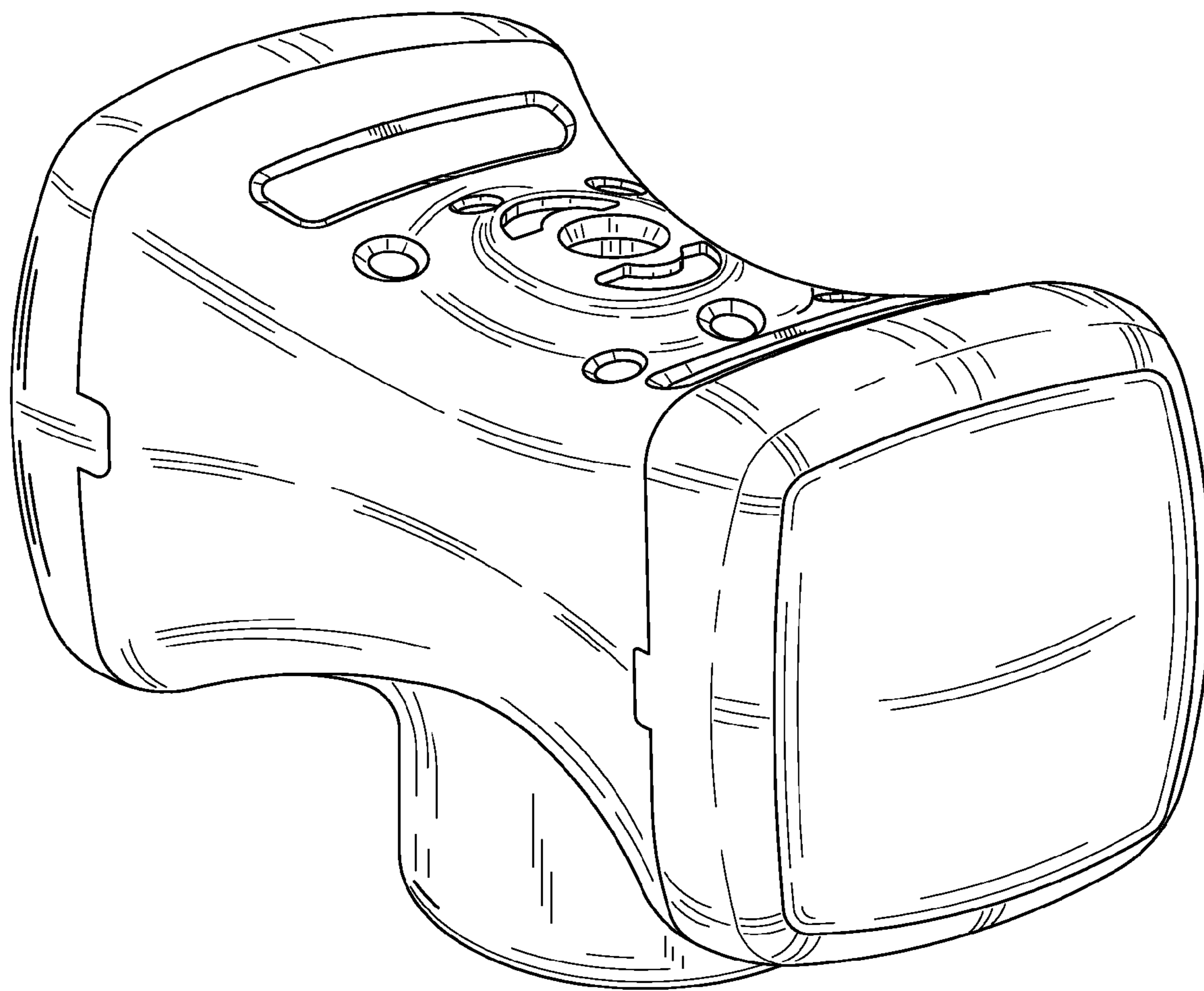


FIG. 7