



US00D622121S

(12) **United States Design Patent**
Weinberg et al.

(10) **Patent No.:** **US D622,121 S**

(45) **Date of Patent:** **** Aug. 24, 2010**

(54) **CLAMP**

(75) Inventors: **Andreas Weinberg**, Filderstadt (DE);
Martin Ruf, Filderstadt (DE)

(73) Assignee: **BESSEY Tool GmbH & Co. KG**,
Bietigheim-Bissingen (DE)

(**) Term: **14 Years**

(21) Appl. No.: **29/316,278**

(22) Filed: **Sep. 8, 2009**

(30) **Foreign Application Priority Data**

Mar. 17, 2009 (EM) 001107429

(51) **LOC (9) Cl.** **08-05**

(52) **U.S. Cl.** **D8/72**

(58) **Field of Classification Search** D8/71-74,
D8/394, 396, 355, 59; 248/689; 81/487;
269/3, 4, 6, 143, 165, 246-249, 147; 29/256,
29/257, 276; D15/140; D24/143; 408/103
See application file for complete search history.

(56) **References Cited**

U.S. PATENT DOCUMENTS

D320,919	S	*	10/1991	Sorensen	D8/72
5,988,616	A	*	11/1999	Fuller et al.	269/6
D488,043	S	*	4/2004	Ben-Gigi	D8/72
D516,892	S	*	3/2006	Ping	D8/72
D541,613	S	*	5/2007	Wang	D8/74

D541,614	S	*	5/2007	Wang	D8/74
D545,162	S	*	6/2007	Ranieri	D8/73
D555,454	S	*	11/2007	Noniewicz	D8/72
7,513,492	B1	*	4/2009	Kuo	269/6
7,546,996	B2	*	6/2009	Somji	269/6
D597,814	S	*	8/2009	Yang	D8/72
7,614,617	B2	*	11/2009	Marusiak	269/6
7,641,183	B2	*	1/2010	Fuller et al.	269/6

* cited by examiner

Primary Examiner—T. Chase Nelson

Assistant Examiner—David G Muller

(74) *Attorney, Agent, or Firm*—Lipsitz & McAllister, LLC

(57) **CLAIM**

The ornamental design for clamp, as shown and described.

DESCRIPTION

FIG. 1 is a front, top and right side perspective view of the design;

FIG. 2 is a front elevational view showing the design;

FIG. 3 is a rear elevational view of the design;

FIG. 4 is a top plan view of the design;

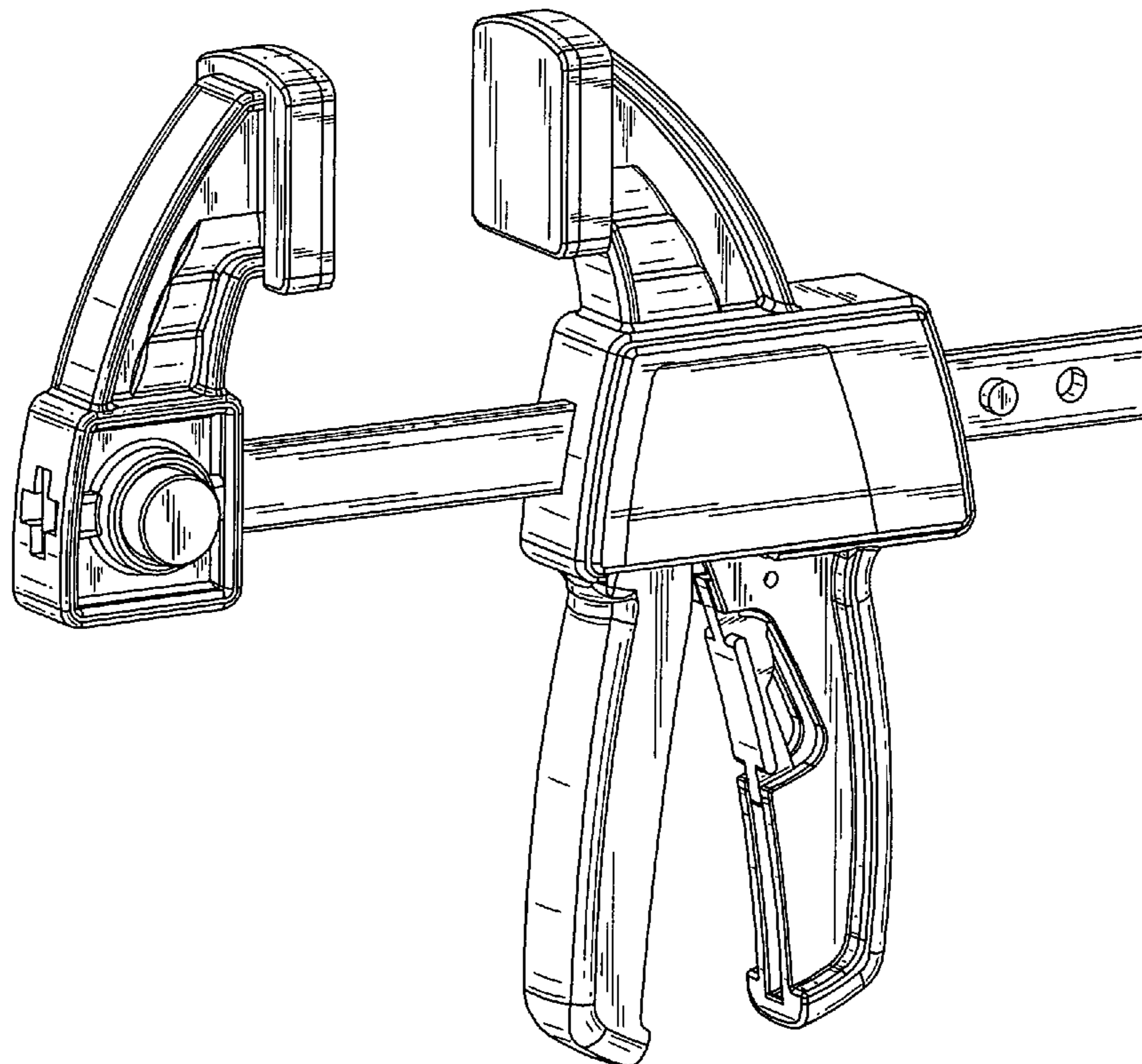
FIG. 5 is a bottom plan view of the design;

FIG. 6 is a left side elevational view of the design; and,

FIG. 7 is a right side elevational view of the design.

The broken lines depict portions of the clamp that form no part of the claimed design.

1 Claim, 4 Drawing Sheets



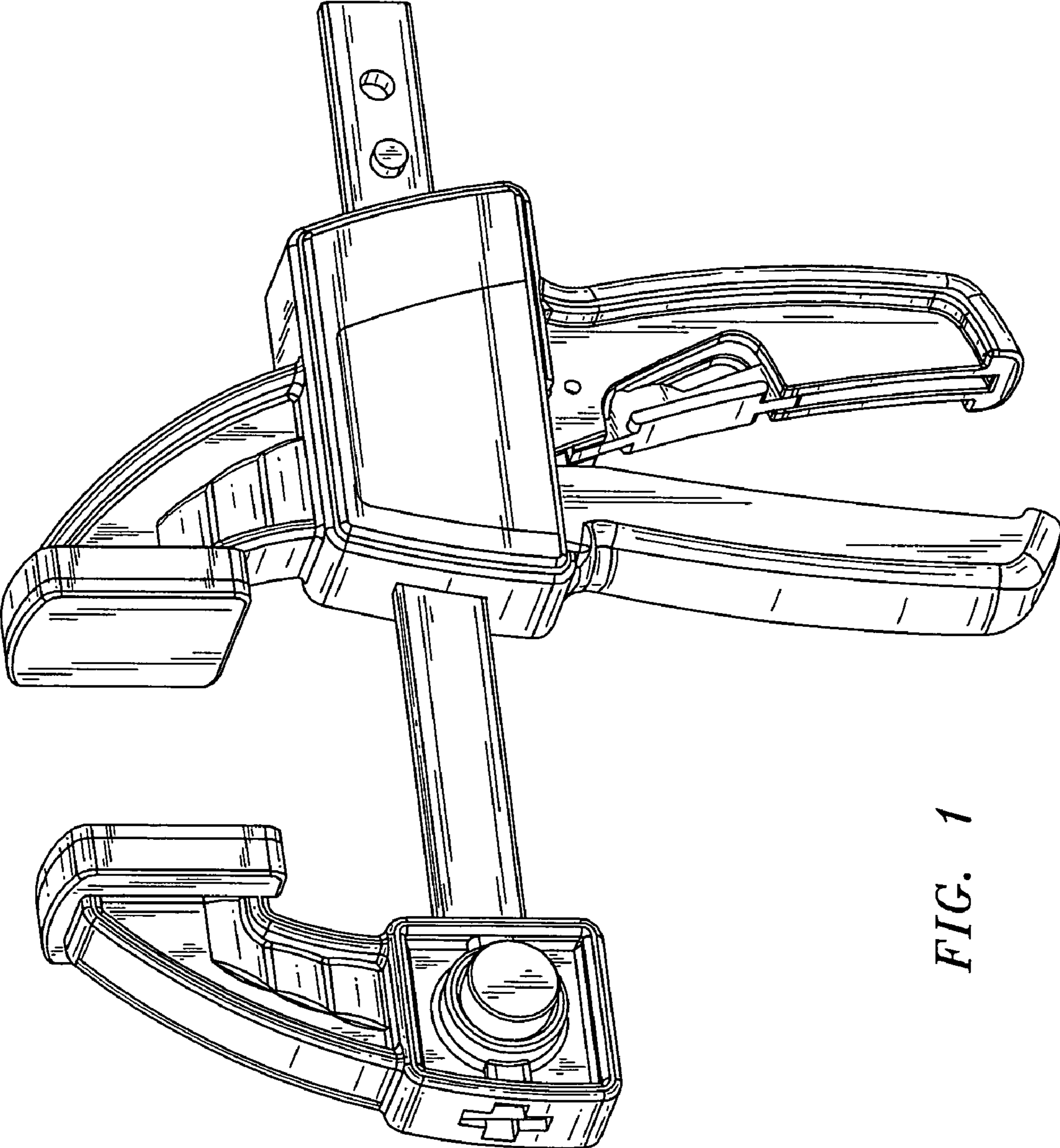


FIG. 1

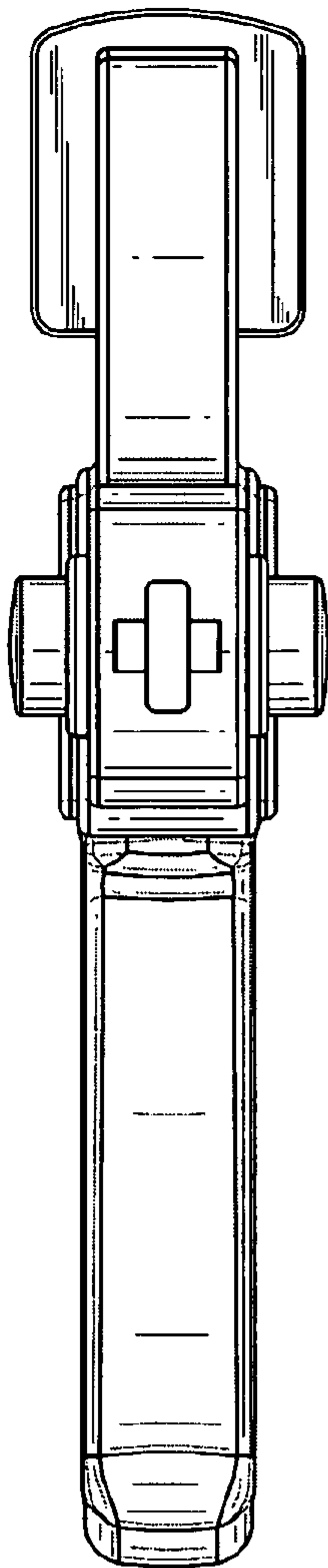


FIG. 2

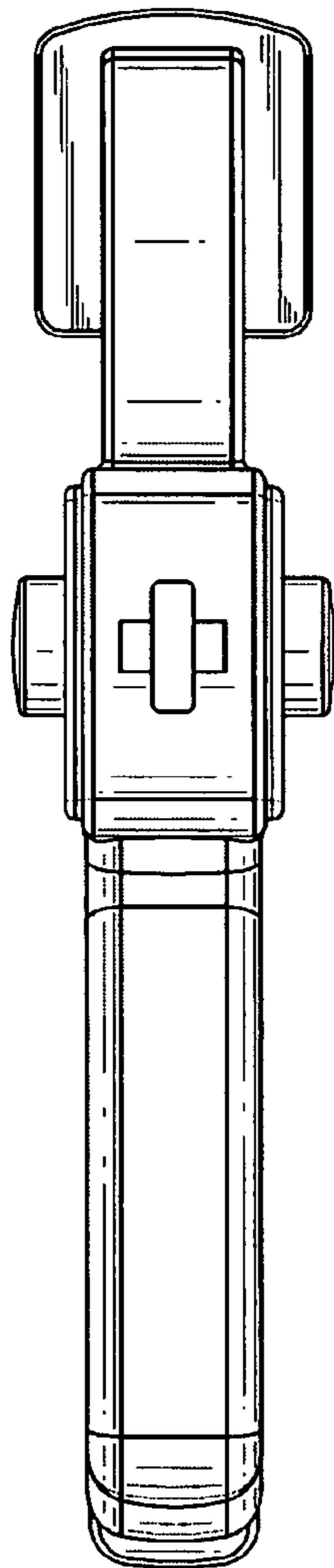


FIG. 3

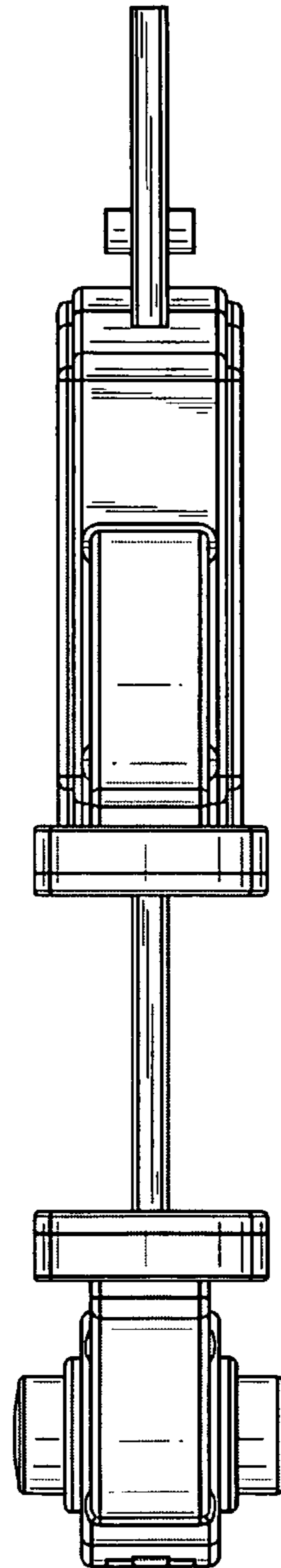


FIG. 4

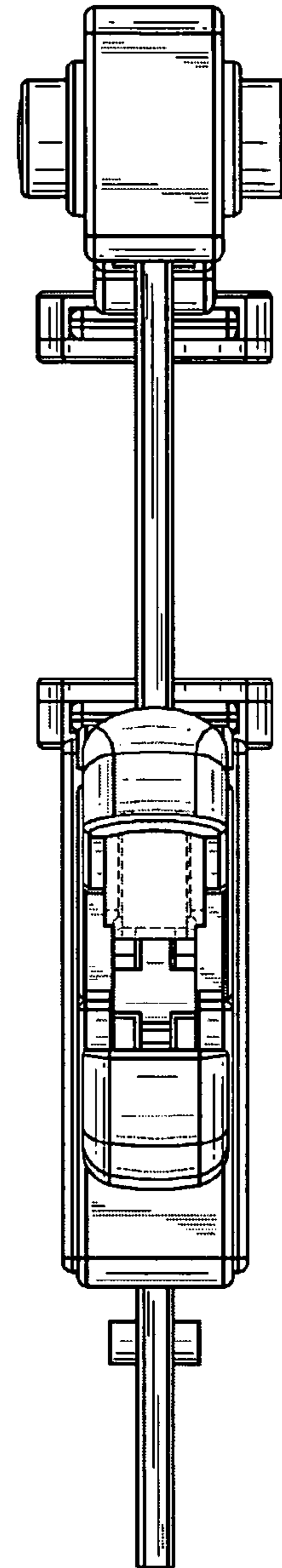


FIG. 5

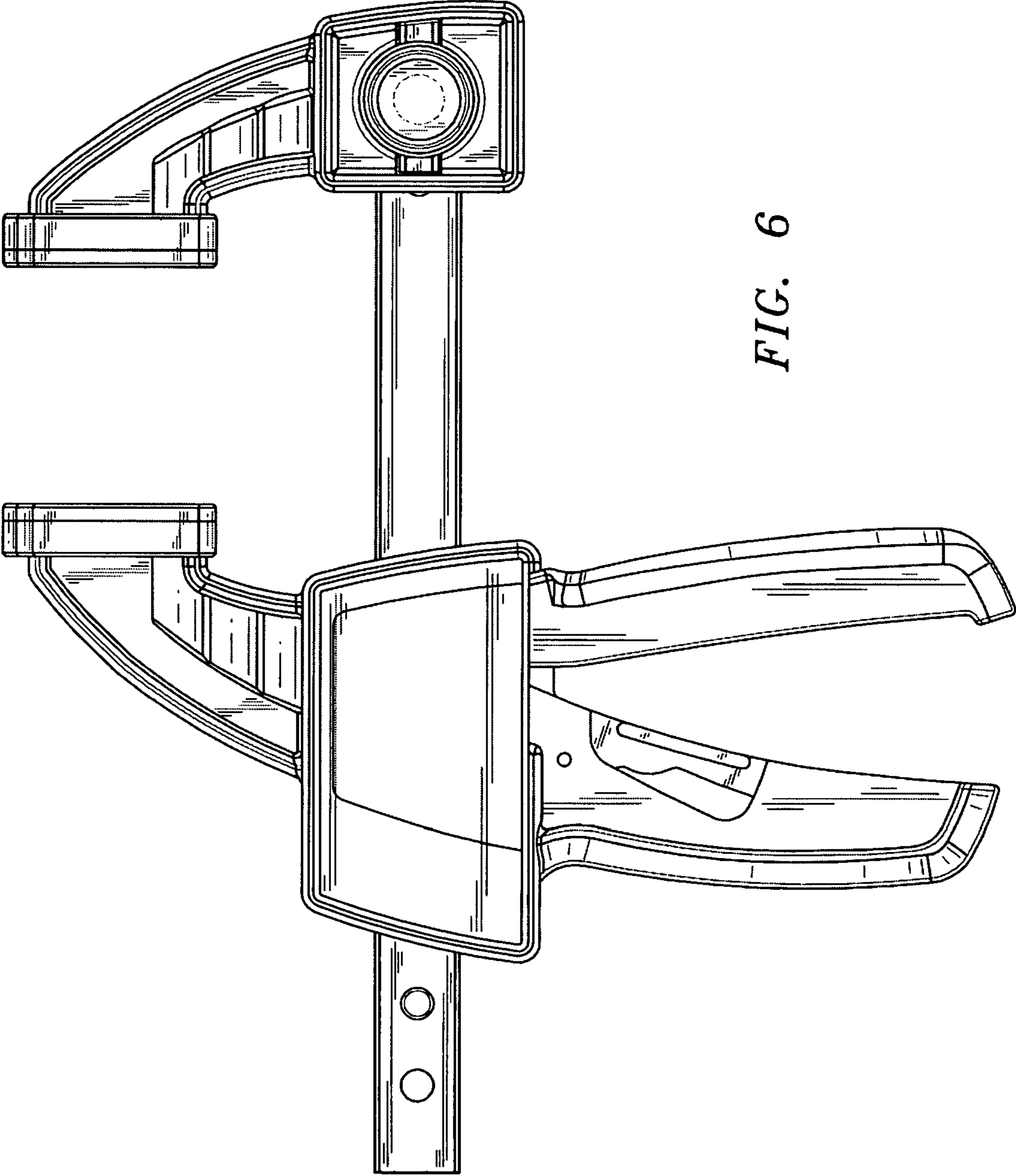


FIG. 6

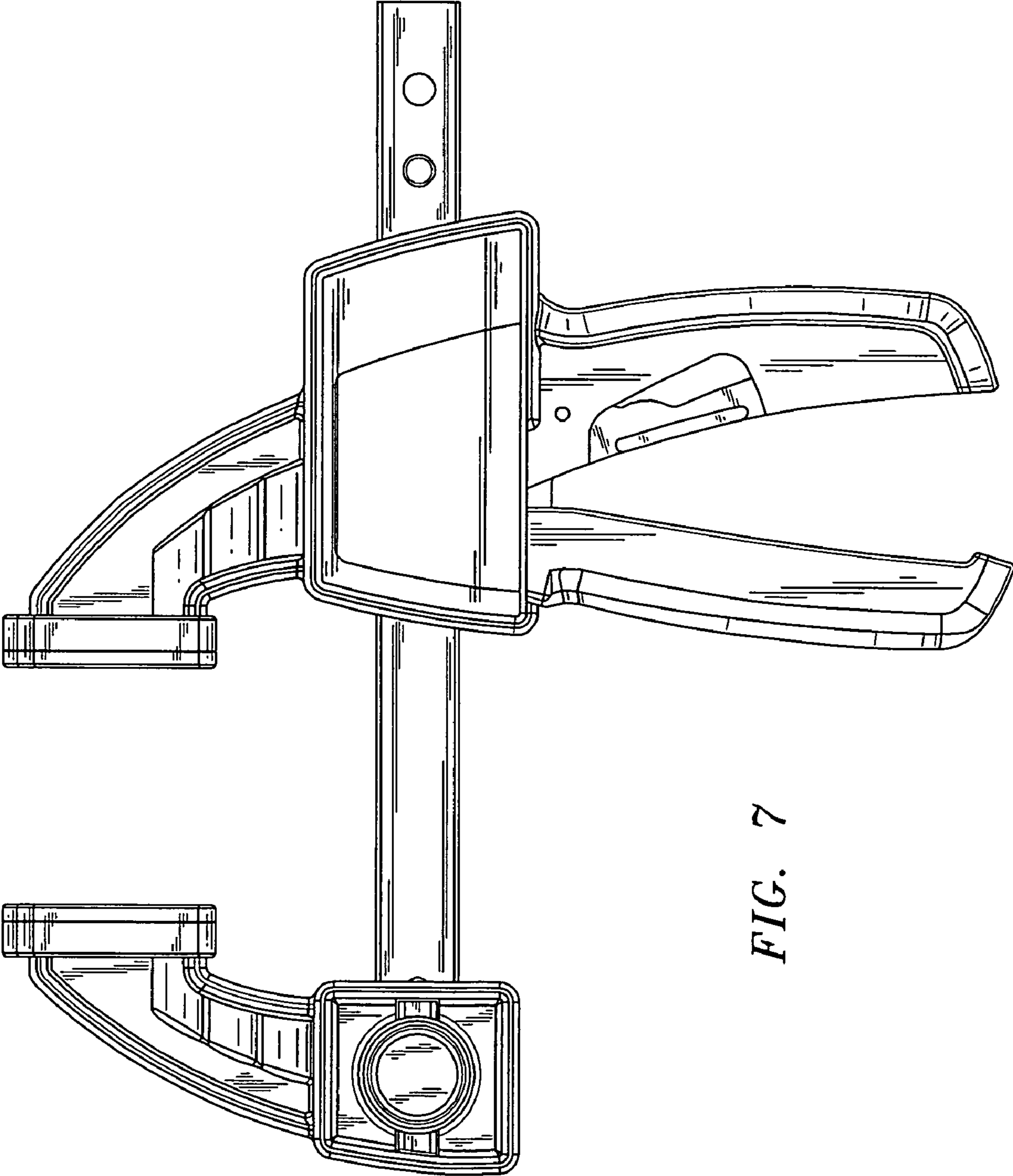


FIG. 7