



US00D622118S

(12) **United States Design Patent**  
**Patti**

(10) **Patent No.:** **US D622,118 S**

(45) **Date of Patent:** **\*\* Aug. 24, 2010**

(54) **DEEP WELL SOCKET FOR ENGAGING A TEE FITTING**

(76) **Inventor:** **Frank Richard Patti**, 5550 Lobos La.,  
Atascadero, CA (US) 93422

(\*\*) **Term:** **14 Years**

(21) **Appl. No.:** **29/316,771**

(22) **Filed:** **Oct. 30, 2009**

(51) **LOC (9) Cl.** ..... **08-05**

(52) **U.S. Cl.** ..... **D8/29**

(58) **Field of Classification Search** ..... D8/21-29;  
81/60, 177.1, 177.85, 121.1, 124.3, 165-170,  
81/110.1, 176.2, 124.6, 176.1, 176.15, 177.2;  
16/110.1; D15/144.1; 219/75, 227, 229,  
219/121.16, 121.18

See application file for complete search history.

(56) **References Cited**

**U.S. PATENT DOCUMENTS**

3,768,345	A	10/1973	Barnes	
D329,577	S	9/1992	Massey	
D366,403	S *	1/1996	Yearwood	D8/27
D377,699	S *	1/1997	McLaughlin	D32/46
5,615,587	A *	4/1997	Foerster, Jr.	81/64
D402,517	S *	12/1998	Gracia et al.	D8/29
D432,878	S *	10/2000	Gray	D8/21

D464,545	S *	10/2002	Marty et al.	D8/21
6,901,825	B1 *	6/2005	Lebron	81/124.2
D542,109	S *	5/2007	Lebron	D8/70
D548,030	S *	8/2007	Hertel et al.	D8/29
D560,986	S *	2/2008	Adkins et al.	D8/29
D584,933	S *	1/2009	Jergenson et al.	D8/29
2008/0098858	A1 *	5/2008	Thomas	81/124.2

\* cited by examiner

*Primary Examiner*—Raphael Barkai

*Assistant Examiner*—Randall H Gholson

(57) **CLAIM**

The ornamental design for a deep well socket for engaging a tee fitting, as shown and described.

**DESCRIPTION**

FIG. 1 is a perspective view of my deep well socket for engaging a tee fitting showing my new design;

FIG. 2 is another perspective view of FIG. 1 thereof;

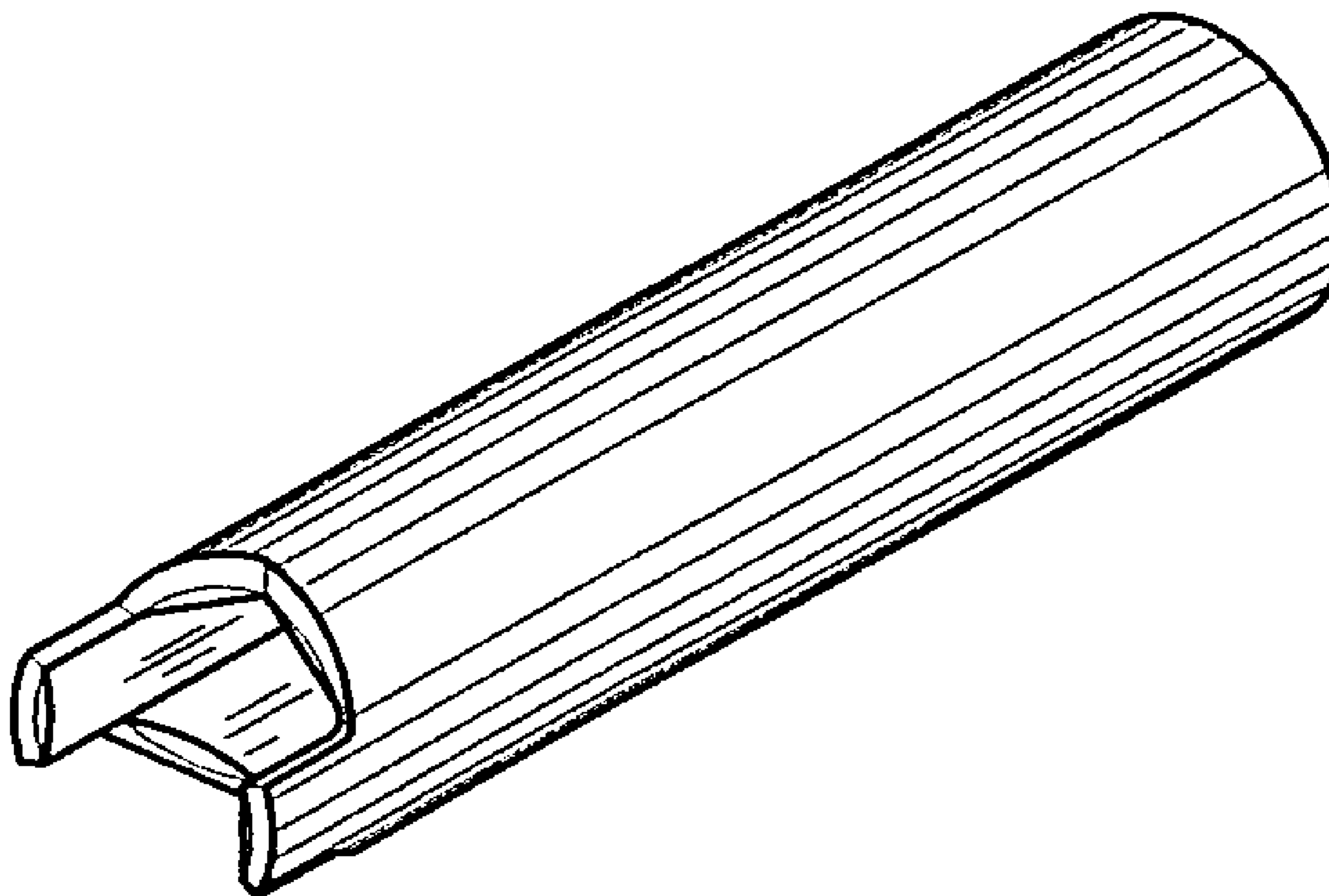
FIG. 3 is a front elevation view of FIG. 1, with the rear elevation view being a mirror image thereof;

FIG. 4 is a left side elevation view of FIG. 1, with the right side elevation view being a mirror image thereof;

FIG. 5 is a top plan view of FIG. 1 thereof; and,

FIG. 6 is a bottom plan view of FIG. 1 thereof.

**1 Claim, 2 Drawing Sheets**



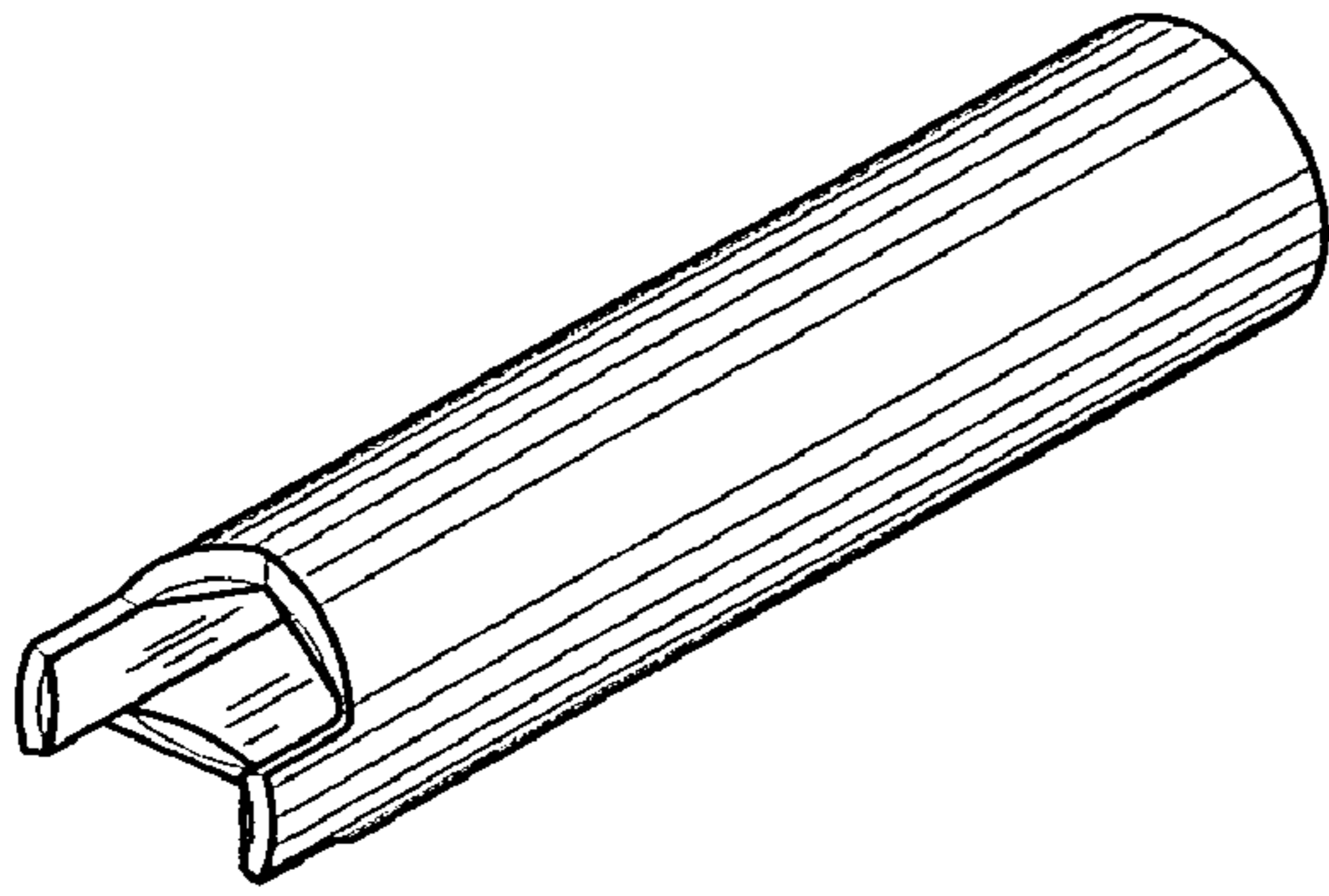


FIG. 1

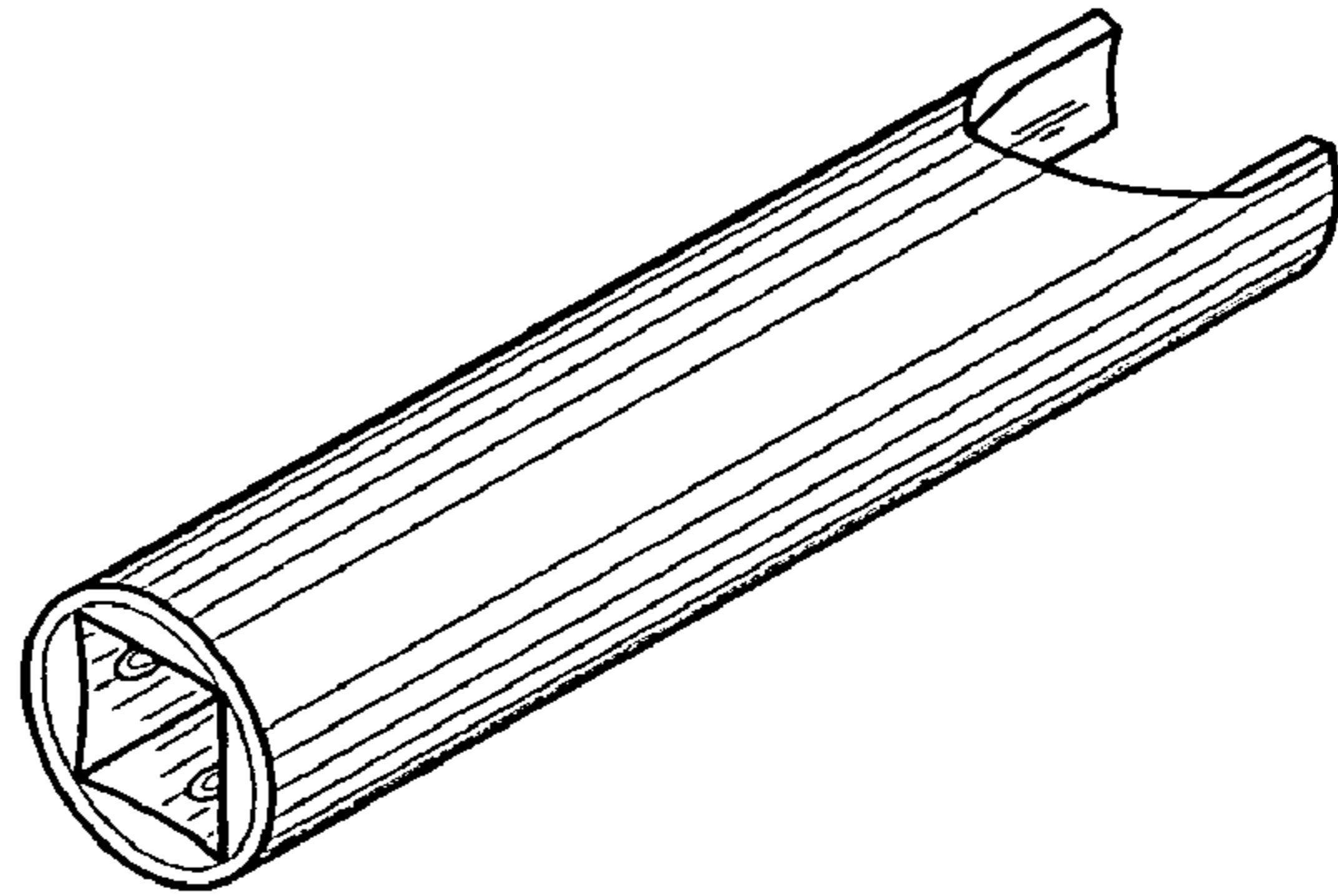


FIG. 2



FIG. 3

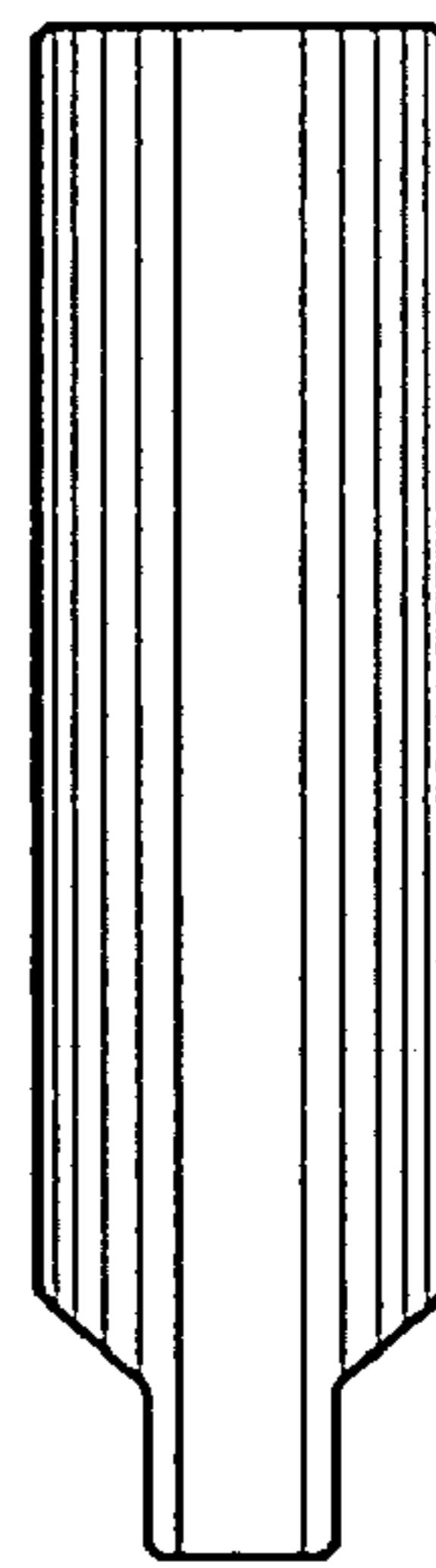


FIG. 4

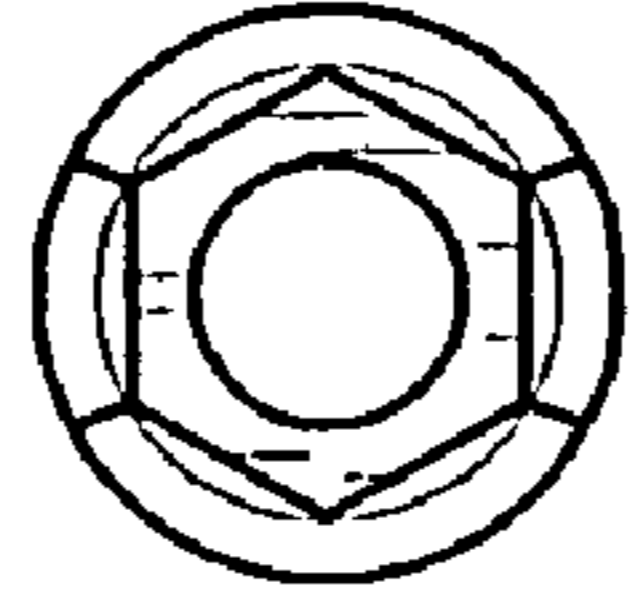


FIG. 5

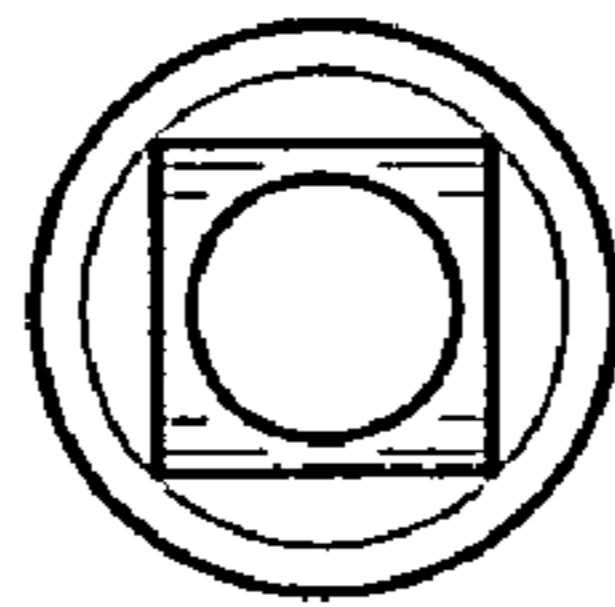


FIG. 6

UNITED STATES PATENT AND TRADEMARK OFFICE  
**CERTIFICATE OF CORRECTION**

PATENT NO. : D622,118 S  
APPLICATION NO. : 29/316771  
DATED : August 24, 2010  
INVENTOR(S) : Frank Richard Patti

Page 1 of 4

It is certified that error appears in the above-identified patent and that said Letters Patent is hereby corrected as shown below:

The title page should be deleted to appear as per attached title page.

The sheets of drawings consisting of figures 1-6 should be deleted to appear as per attached figures 1-6.

Signed and Sealed this  
Twelfth Day of April, 2011

A handwritten signature in black ink that reads "David J. Kappos". The signature is written in a cursive, slightly slanted style.

David J. Kappos  
*Director of the United States Patent and Trademark Office*

(12) **United States Design Patent**  
**Patti**

(10) **Patent No.:** **US D622,118 S**  
(45) **Date of Patent:** **\*\* Aug. 24, 2010**

(54) **DEEP WELL SOCKET FOR ENGAGING A TEE FITTING**

(76) Inventor: **Frank Richard Patti**, 5550 Lobos La.,  
Atascadero, CA (US) 93422

(\*\*) Term: **14 Years**

(21) Appl. No.: **29/316,771**

(22) Filed: **Oct. 30, 2009**

(51) **LOC (9) Cl.** ..... **08-05**

(52) **U.S. Cl.** ..... **D8/29**

(58) **Field of Classification Search** ..... D8/21-29;  
81/60, 177.1, 177.85, 121.1, 124.3, 165-170,  
81/110.1, 176.2, 124.6, 176.1, 176.15, 177.2;  
16/110.1; D15/144.1; 219/75, 227, 229,  
219/121.16, 121.18

See application file for complete search history.

(56) **References Cited**

**U.S. PATENT DOCUMENTS**

3,768,345	A	10/1973	Barnes	
D329,577	S	9/1992	Massey	
D366,403	S *	1/1996	Yearwood	D8/27
D377,699	S *	1/1997	McLaughlin	D32/46
5,615,587	A *	4/1997	Foerster, Jr.	81/64
D402,517	S *	12/1998	Gracia et al.	D8/29
D432,878	S *	10/2000	Gray	D8/21

D464,545	S *	10/2002	Marty et al.	D8/21
6,901,825	B1 *	6/2005	Lebron	81/124.2
D542,109	S *	5/2007	Lebron	D8/70
D548,030	S *	8/2007	Hertel et al.	D8/29
D560,986	S *	2/2008	Adkins et al.	D8/29
D584,933	S *	1/2009	Jergenson et al.	D8/29
2008/0098858	A1 *	5/2008	Thomas	81/124.2

\* cited by examiner

*Primary Examiner*—Raphael Barkai  
*Assistant Examiner*—Randall H Gholson

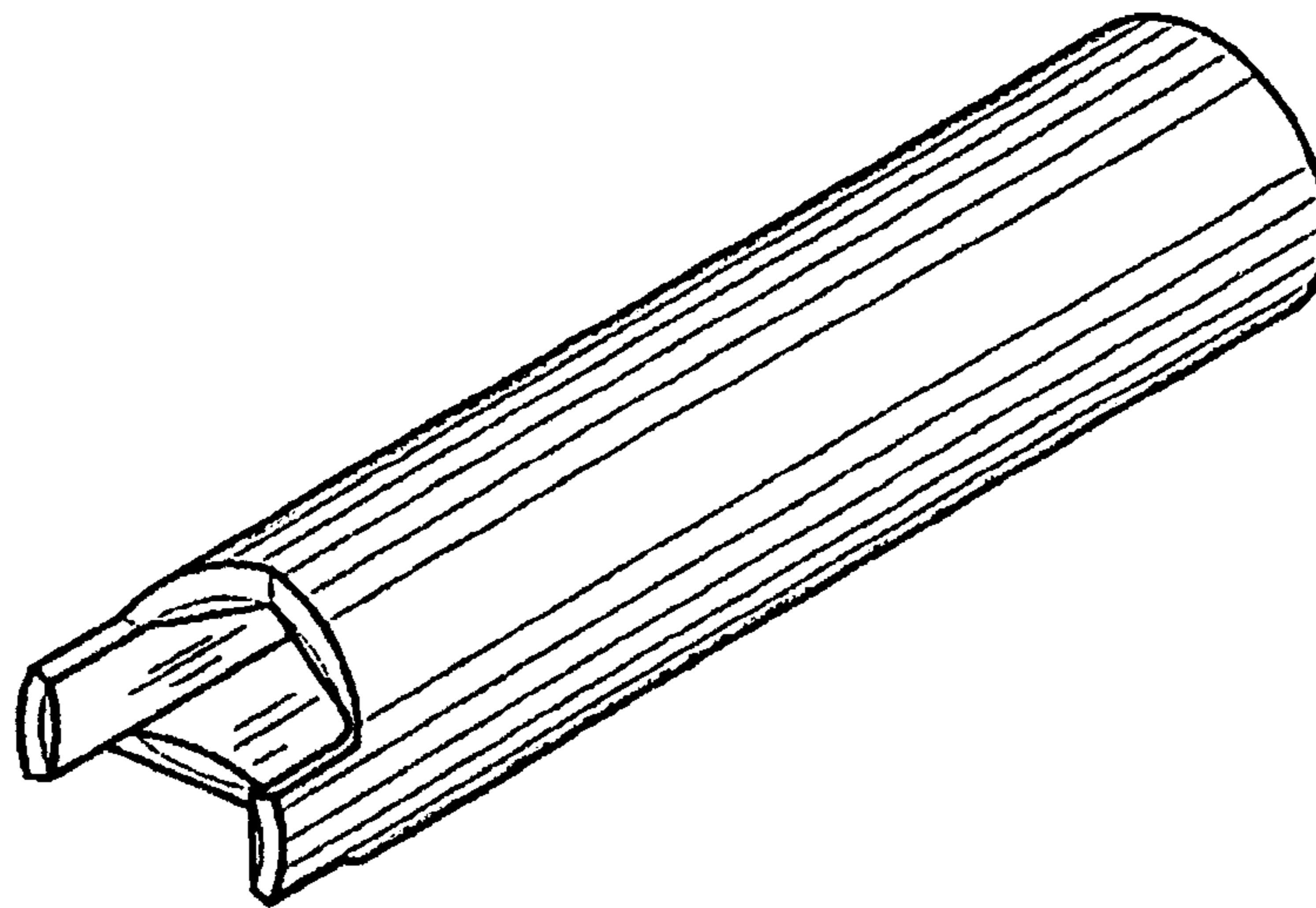
(57) **CLAIM**

The ornamental design for a deep well socket for engaging a tee fitting, as shown and described.

**DESCRIPTION**

FIG. 1 is a perspective view of my deep well socket for engaging a tee fitting showing my new design;  
FIG. 2 is another perspective view of FIG. 1 thereof;  
FIG. 3 is a front elevation view of FIG. 1, with the rear elevation view being a mirror image thereof;  
FIG. 4 is a left side elevation view of FIG. 1, with the right side elevation view being a mirror image thereof;  
FIG. 5 is a top plan view of FIG. 1 thereof; and,  
FIG. 6 is a bottom plan view of FIG. 1 thereof.

**1 Claim, 2 Drawing Sheets**



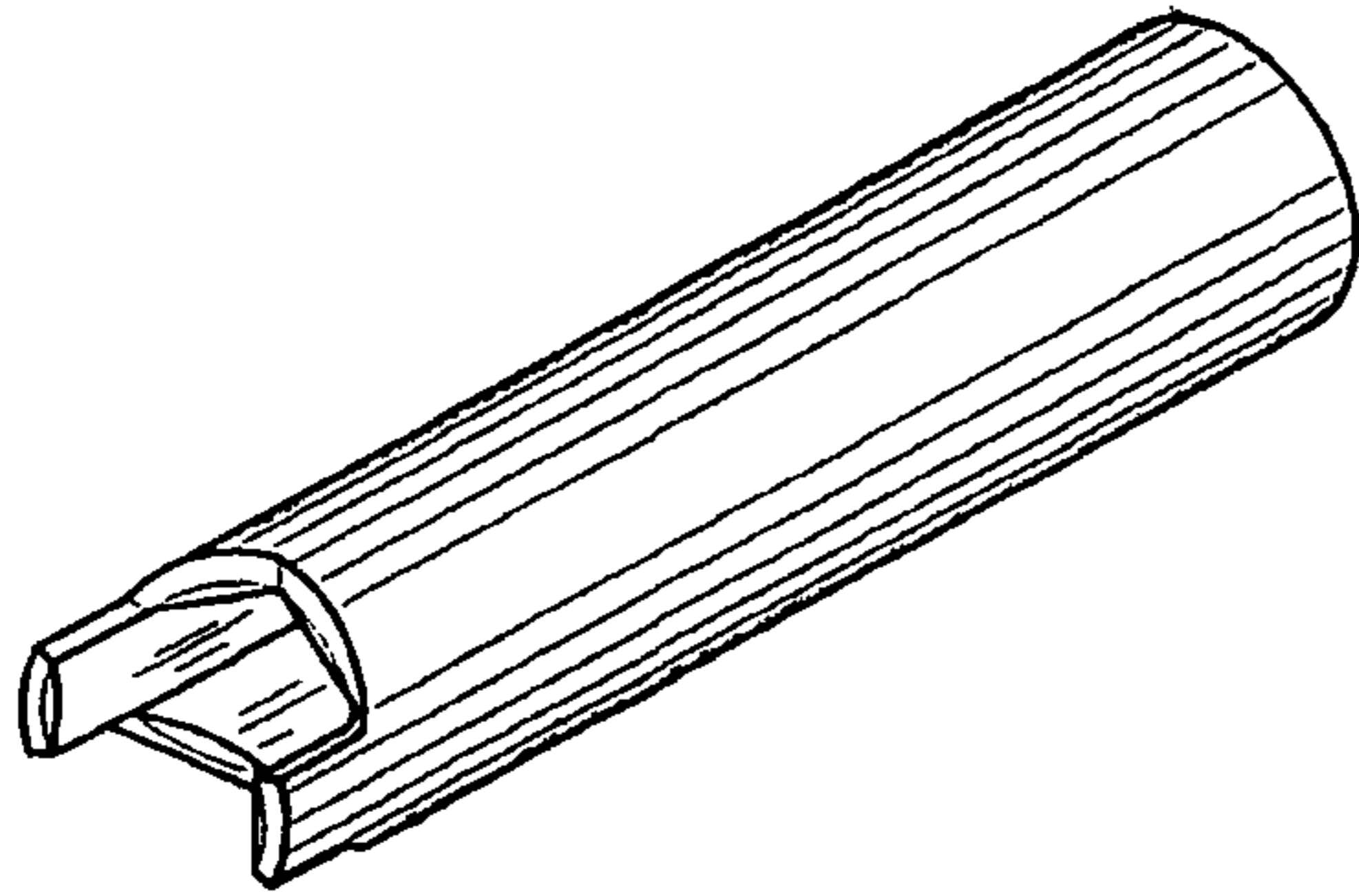


FIG. 1

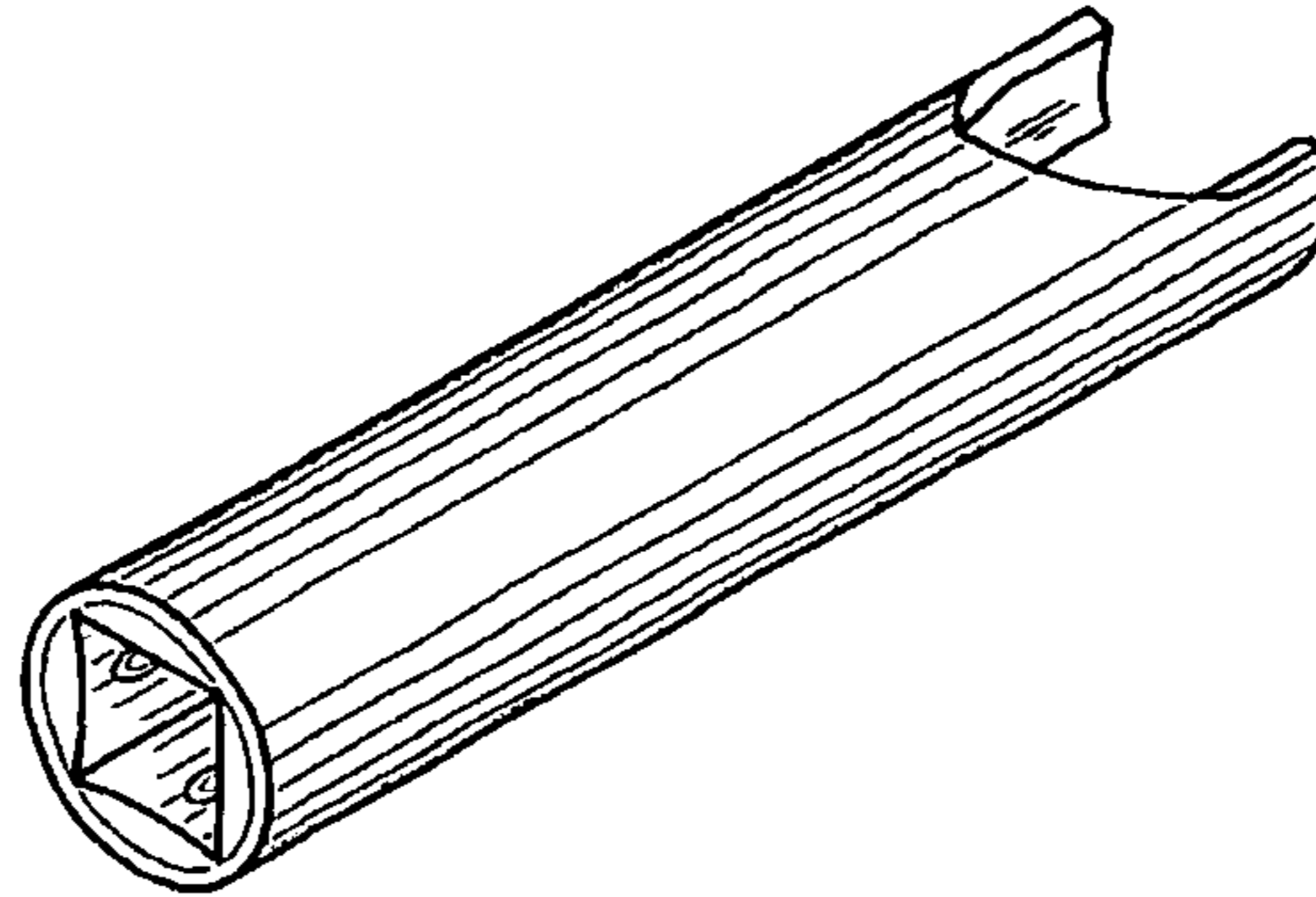


FIG. 2



FIG. 3

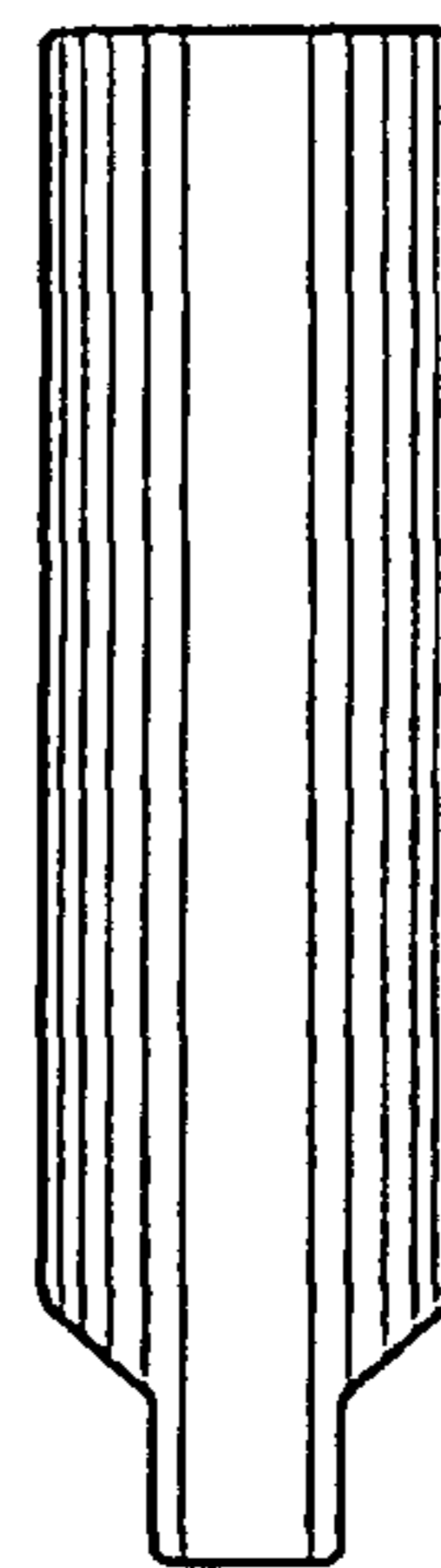
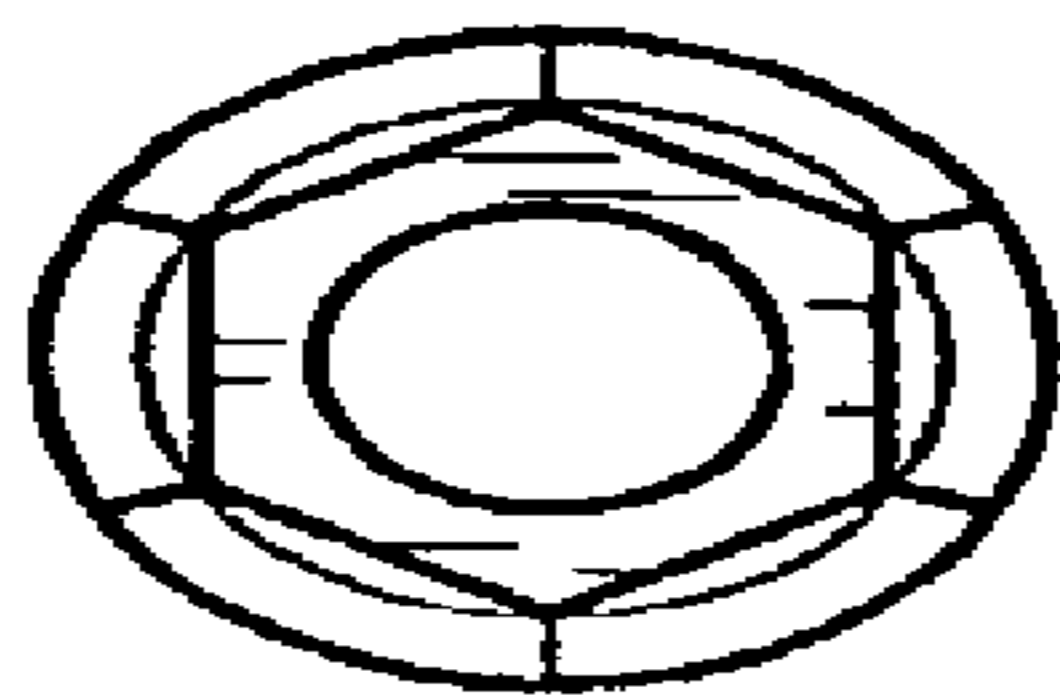
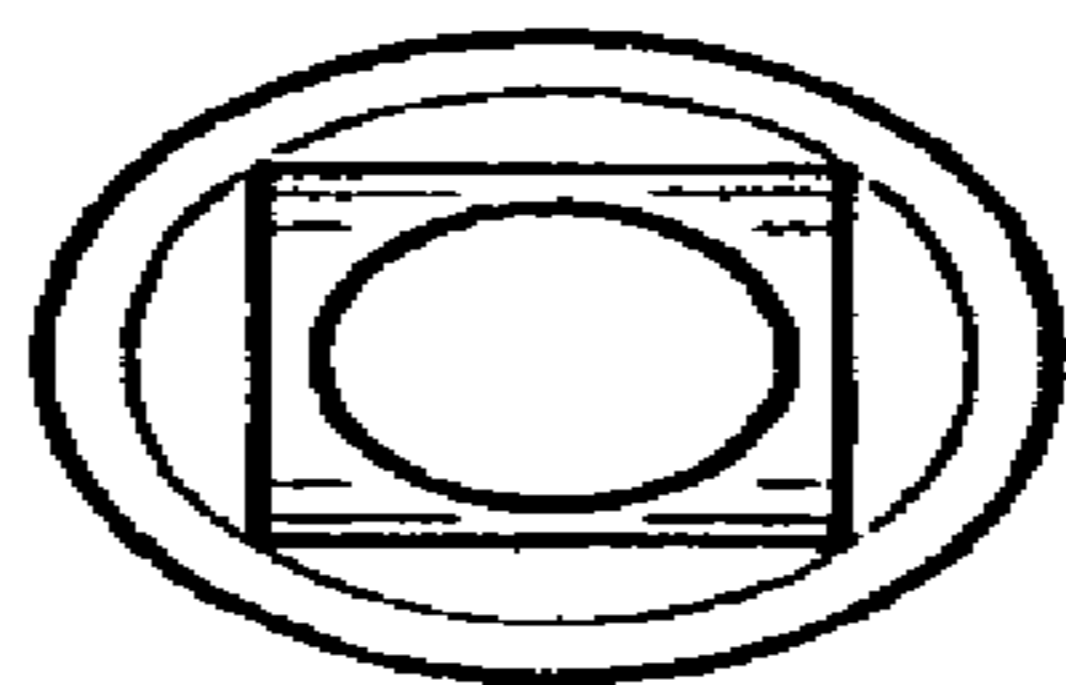


FIG. 4



**FIG. 5**



**FIG. 6**

UNITED STATES PATENT AND TRADEMARK OFFICE  
**CERTIFICATE OF CORRECTION**

PATENT NO. : D622,118 S  
APPLICATION NO. : 29/316771  
DATED : August 24, 2010  
INVENTOR(S) : Frank Richard Patti

Page 1 of 4

It is certified that error appears in the above-identified patent and that said Letters Patent is hereby corrected as shown below:

The title page should be deleted to appear as per attached title page.

The sheets of drawings consisting of figures 1-6 should be deleted to appear as per attached figures 1-6.

This certificate supersedes the Certificate of Correction issued April 12, 2011.

Signed and Sealed this  
Fourteenth Day of June, 2011

A handwritten signature in black ink that reads "David J. Kappos". The signature is written in a cursive, slightly slanted style.

David J. Kappos  
*Director of the United States Patent and Trademark Office*



(12) **United States Design Patent**  
**Patti**

(10) **Patent No.:** **US D622,118 S**  
(45) **Date of Patent:** **\*\* Aug. 24, 2010**

(54) **DEEP WELL SOCKET FOR ENGAGING A TEE FITTING**

(76) Inventor: **Frank Richard Patti**, 5550 Lobos La.,  
Atascadero, CA (US) 93422

(\*\*) Term: **14 Years**

(21) Appl. No.: **29/316,771**

(22) Filed: **Oct. 30, 2009**

(51) **LOC (9) Cl.** ..... **08-05**

(52) **U.S. Cl.** ..... **D8/29**

(58) **Field of Classification Search** ..... D8/21-29;  
81/60, 177.1, 177.85, 121.1, 124.3, 165-170,  
81/110.1, 176.2, 124.6, 176.1, 176.15, 177.2;  
16/110.1; D15/144.1; 219/75, 227, 229,  
219/121.16, 121.18

See application file for complete search history.

(56) **References Cited**

**U.S. PATENT DOCUMENTS**

3,768,345	A	10/1973	Barnes	
D329,577	S	9/1992	Massey	
D366,403	S *	1/1996	Yearwood	D8/27
D377,699	S *	1/1997	McLaughlin	D32/46
5,615,587	A *	4/1997	Foerster, Jr.	81/64
D402,517	S *	12/1998	Gracia et al.	D8/29
D432,878	S *	10/2000	Gray	D8/21

D464,545	S *	10/2002	Marty et al.	D8/21
6,901,825	B1 *	6/2005	Lebron	81/124.2
D542,109	S *	5/2007	Lebron	D8/70
D548,030	S *	8/2007	Hertel et al.	D8/29
D560,986	S *	2/2008	Adkins et al.	D8/29
D584,933	S *	1/2009	Jergenson et al.	D8/29
2008/0098858	A1 *	5/2008	Thomas	81/124.2

\* cited by examiner

*Primary Examiner*—Raphael Barkai  
*Assistant Examiner*—Randall H Gholson

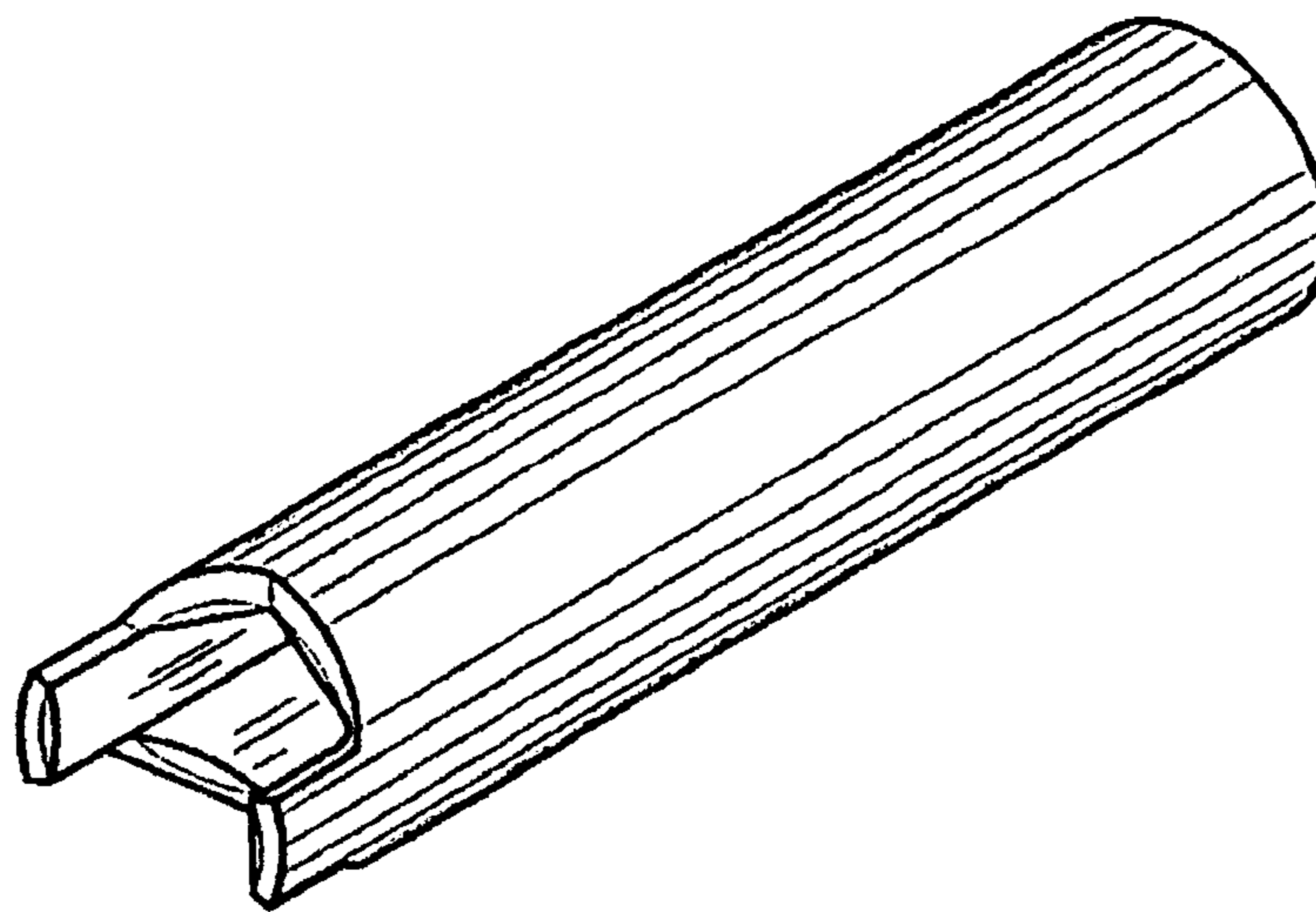
(57) **CLAIM**

The ornamental design for a deep well socket for engaging a tee fitting, as shown and described.

**DESCRIPTION**

FIG. 1 is a perspective view of my deep well socket for engaging a tee fitting showing my new design;  
FIG. 2 is another perspective view of FIG. 1 thereof;  
FIG. 3 is a front elevation view of FIG. 1, with the rear elevation view being a mirror image thereof;  
FIG. 4 is a left side elevation view of FIG. 1, with the right side elevation view being a mirror image thereof;  
FIG. 5 is a top plan view of FIG. 1 thereof; and,  
FIG. 6 is a bottom plan view of FIG. 1 thereof.

**1 Claim, 2 Drawing Sheets**



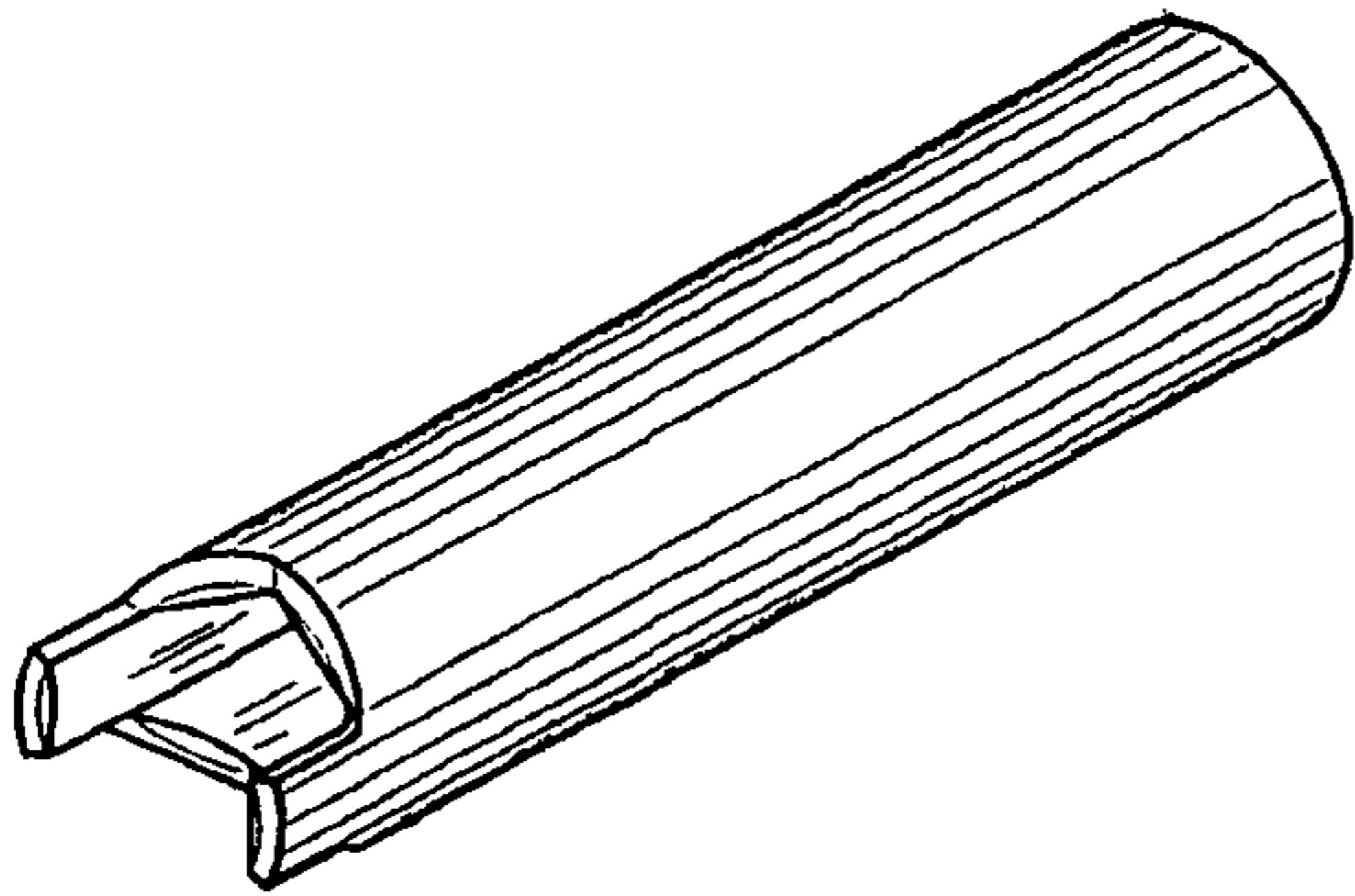


FIG. 1

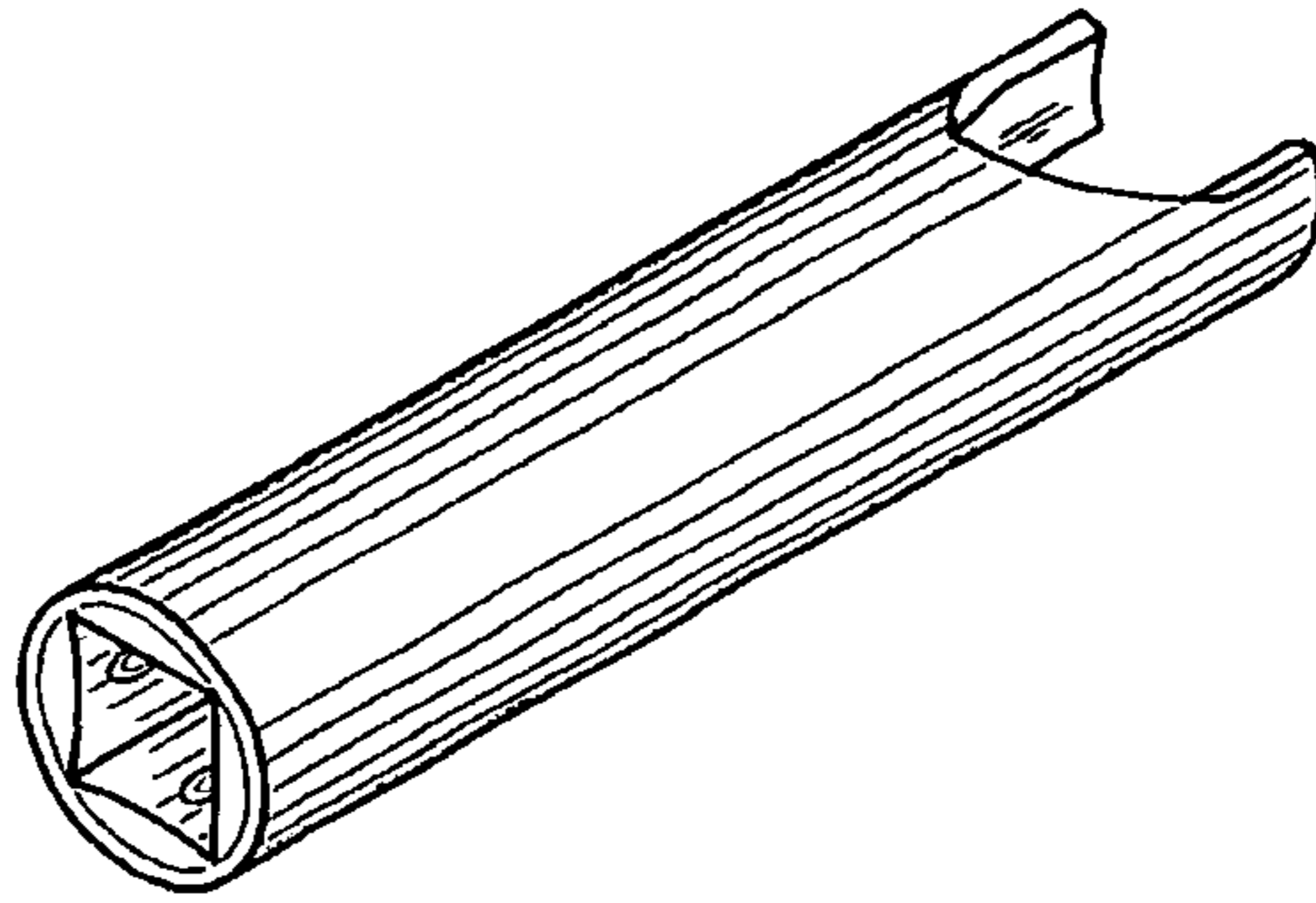


FIG. 2

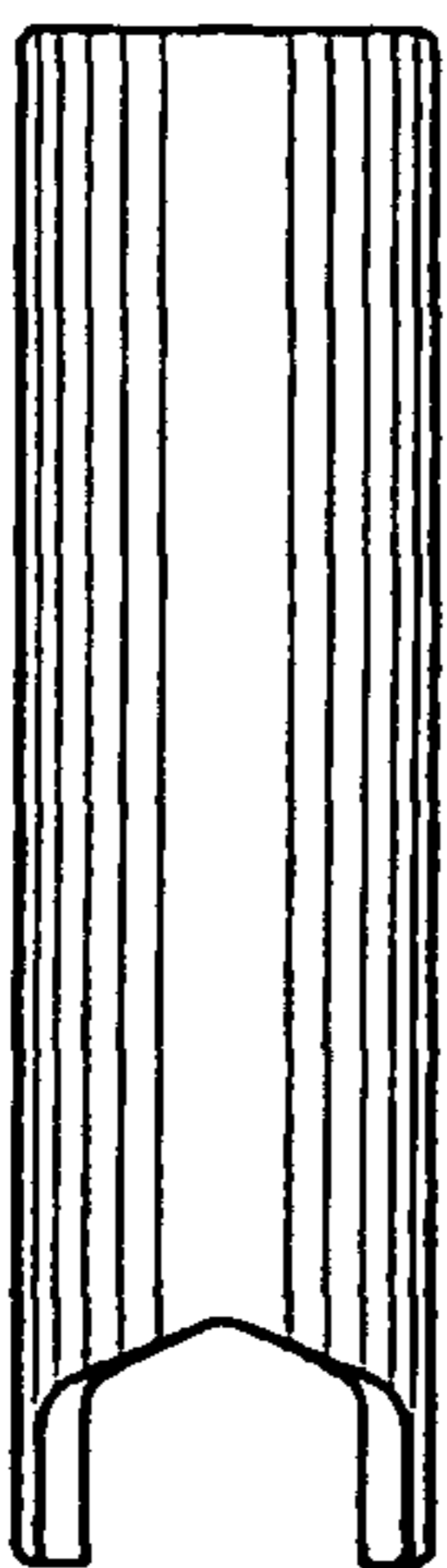


FIG. 3



FIG. 4

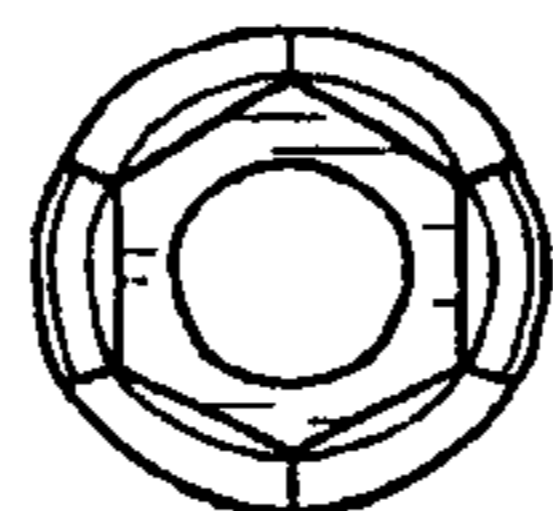


FIG. 5

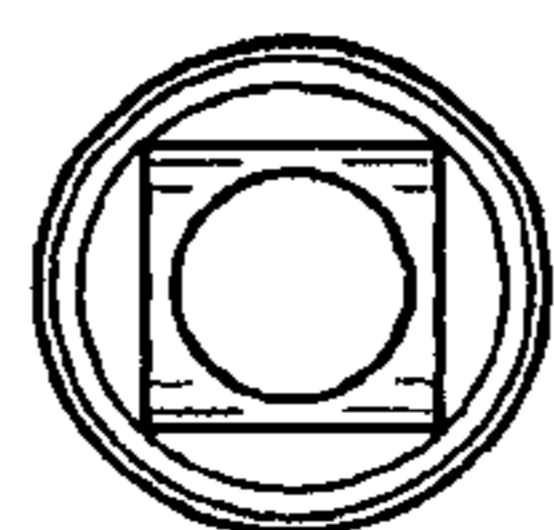


FIG. 6

UNITED STATES PATENT AND TRADEMARK OFFICE  
**CERTIFICATE OF CORRECTION**

PATENT NO. : D622,118 S  
APPLICATION NO. : 29/316771  
DATED : August 24, 2010  
INVENTOR(S) : Frank Richard Patti

Page 1 of 4

It is certified that error appears in the above-identified patent and that said Letters Patent is hereby corrected as shown below:

The title page should be deleted to appear as per attached title page.

The sheets of drawings consisting of figures 1-6 should be deleted to appear as per attached figures 1-6.

This certificate supersedes the Certificates of Correction issued April 12, 2011 and June 14, 2011.

Signed and Sealed this  
Twenty-fifth Day of October, 2011

A handwritten signature in black ink that reads "David J. Kappos". The signature is written in a cursive, slightly slanted style.

David J. Kappos  
*Director of the United States Patent and Trademark Office*

(12) **United States Design Patent**  
**Patti**

(10) **Patent No.:** **US D622,118 S**  
(45) **Date of Patent:** **\*\* Aug. 24, 2010**

(54) **DEEP WELL SOCKET FOR ENGAGING A TEE FITTING**

(76) Inventor: **Frank Richard Patti**, 5550 Lobos La.,  
Atascadero, CA (US) 93422

(\*\*) Term: **14 Years**

(21) Appl. No.: **29/316,771**

(22) Filed: **Oct. 30, 2009**

(51) **LOC (9) Cl.** ..... **08-05**

(52) **U.S. Cl.** ..... **D8/29**

(58) **Field of Classification Search** ..... D8/21 29;  
81/60, 177.1, 177.85, 121.1, 124.3, 165-170,  
81/110.1, 176.2, 124.6, 176.1, 176.15, 177.2;  
16/110.1; D15/144.1; 219/75, 227, 229,  
219/121.16, 121.18

See application file for complete search history.

(56) **References Cited**

**U.S. PATENT DOCUMENTS**

3,768,345 A 10/1973 Barnes  
D329,577 S 9/1992 Massey  
D366,403 S \* 1/1996 Yearwood ..... D8/27  
D377,699 S \* 1/1997 McLaughlin ..... D32/46  
5,615,587 A \* 4/1997 Foerster, Jr. .... 81/64  
D402,517 S \* 12/1998 Gracia et al. .... D8/29  
D432,878 S \* 10/2000 Gray ..... D8/21

D464,545 S \* 10/2002 Marty et al. .... D8/21  
6,901,825 B1 \* 6/2005 Lebron ..... 81/124.2  
D542,109 S \* 5/2007 Lebron ..... D8/70  
D548,030 S \* 8/2007 Hertel et al. .... D8/29  
D560,986 S \* 2/2008 Adkins et al. .... D8/29  
D584,933 S \* 1/2009 Jergenson et al. .... D8/29  
2008/0098858 A1 \* 5/2008 Thomas ..... 81/124.2

\* cited by examiner

*Primary Examiner*- Raphael Barkai  
*Assistant Examiner*-Randall H Gholson

(57) **CLAIM**

The ornamental design for a deep well socket for engaging a tee fitting, as shown and described.

**DESCRIPTION**

FIG. 1 is a perspective view of my deep well socket for engaging a tee fitting showing my new design;

FIG. 2 is another perspective view of FIG. 1 thereof;

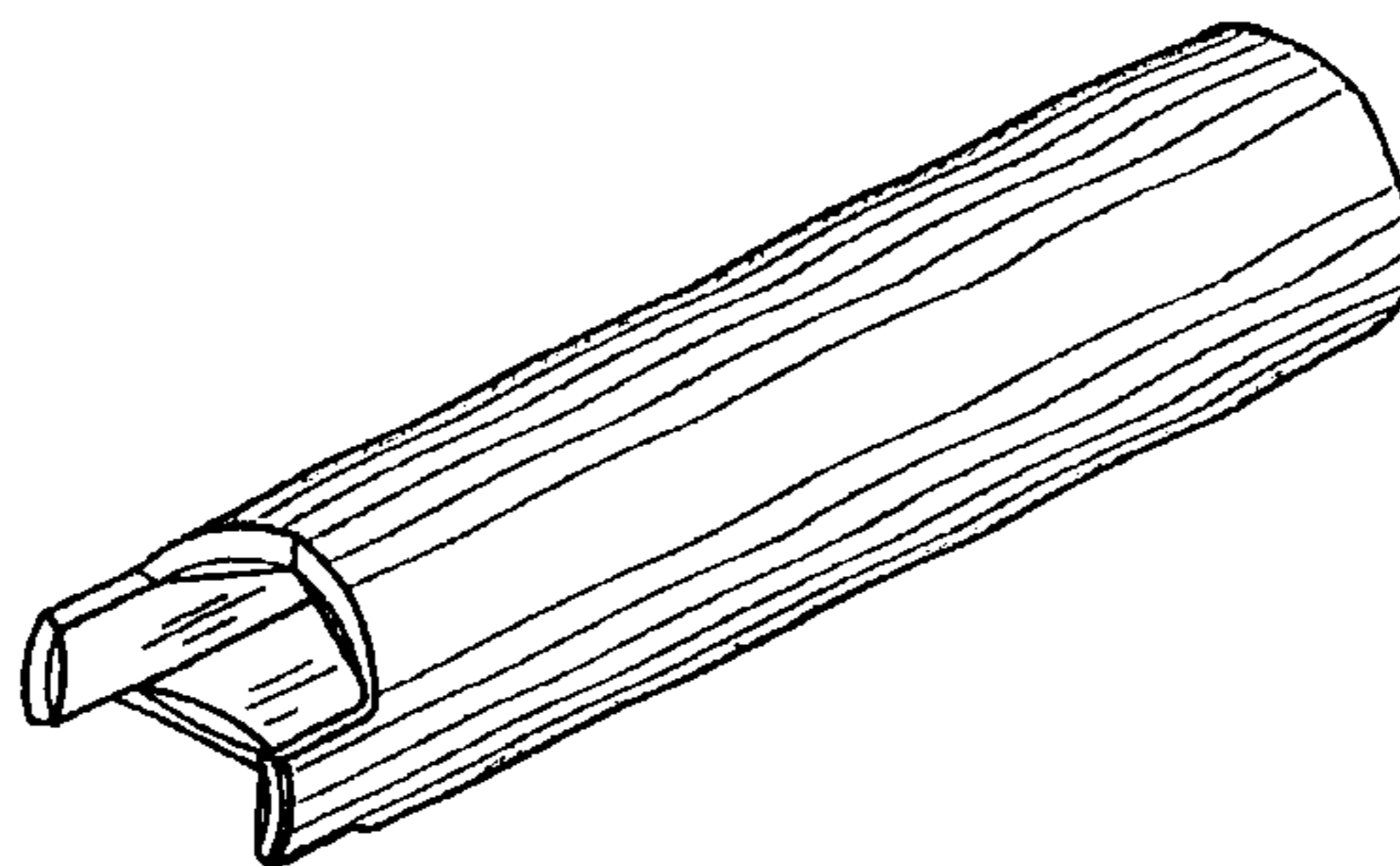
FIG. 3 is a front elevation view of FIG. 1, with the rear elevation view being a mirror image thereof;

FIG. 4 is a left side elevation view of FIG. 1, with the right side elevation view being a mirror image thereof;

FIG. 5 is a top plan view of FIG. 1 thereof; and,

FIG. 6 is a bottom plan view of FIG. 1 thereof.

**1 Claim, 2 Drawing Sheets**



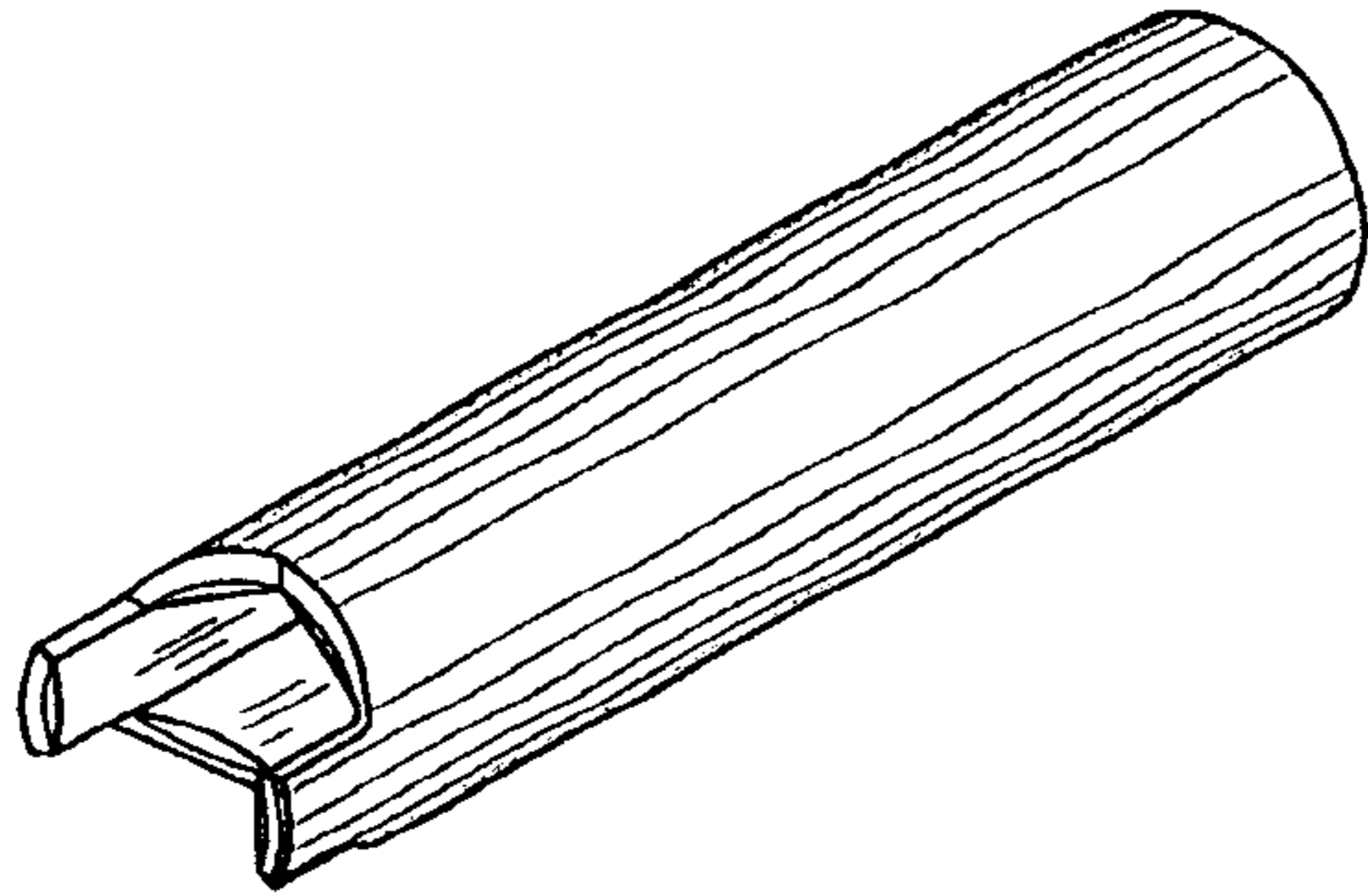


FIG. 1

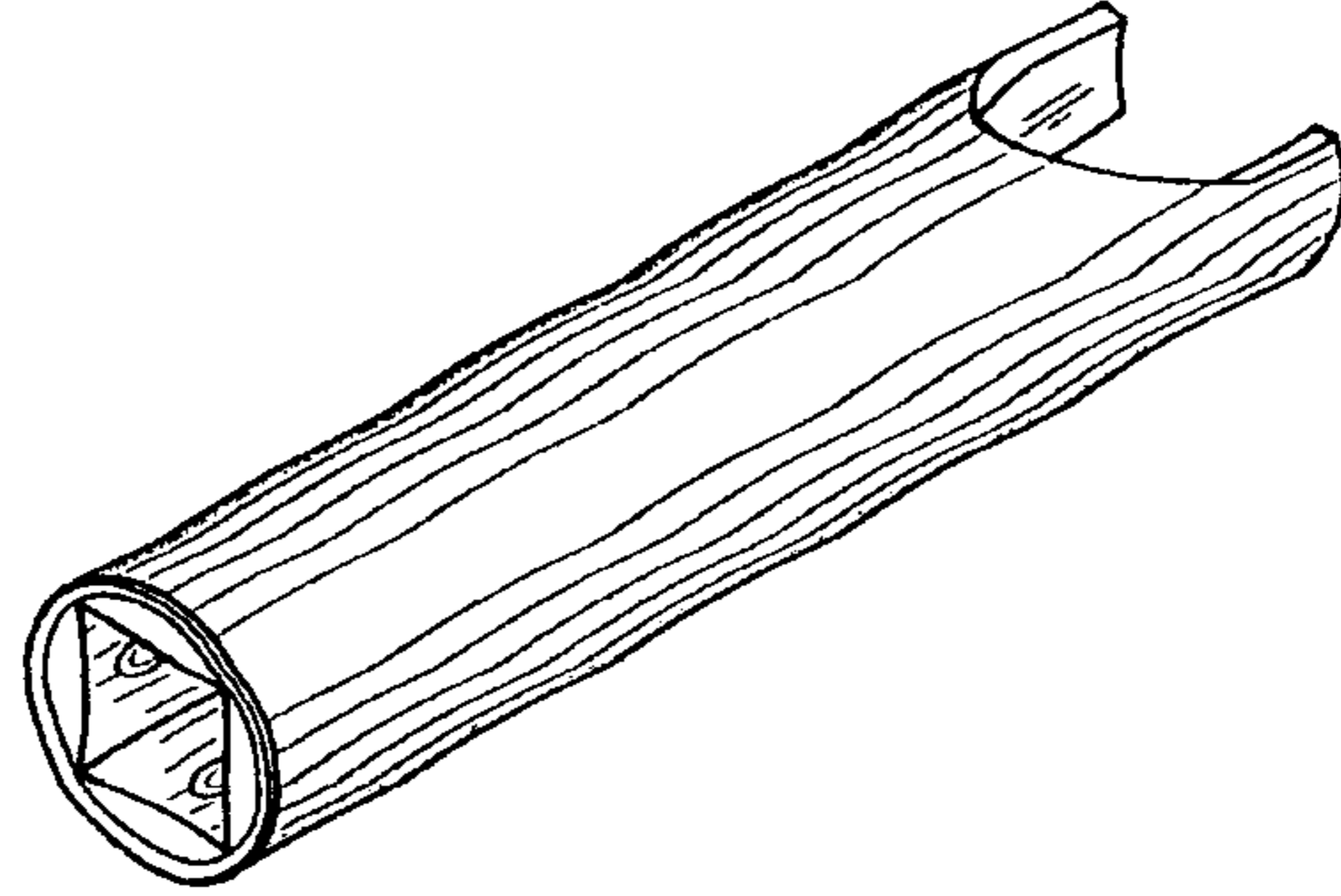


FIG. 2

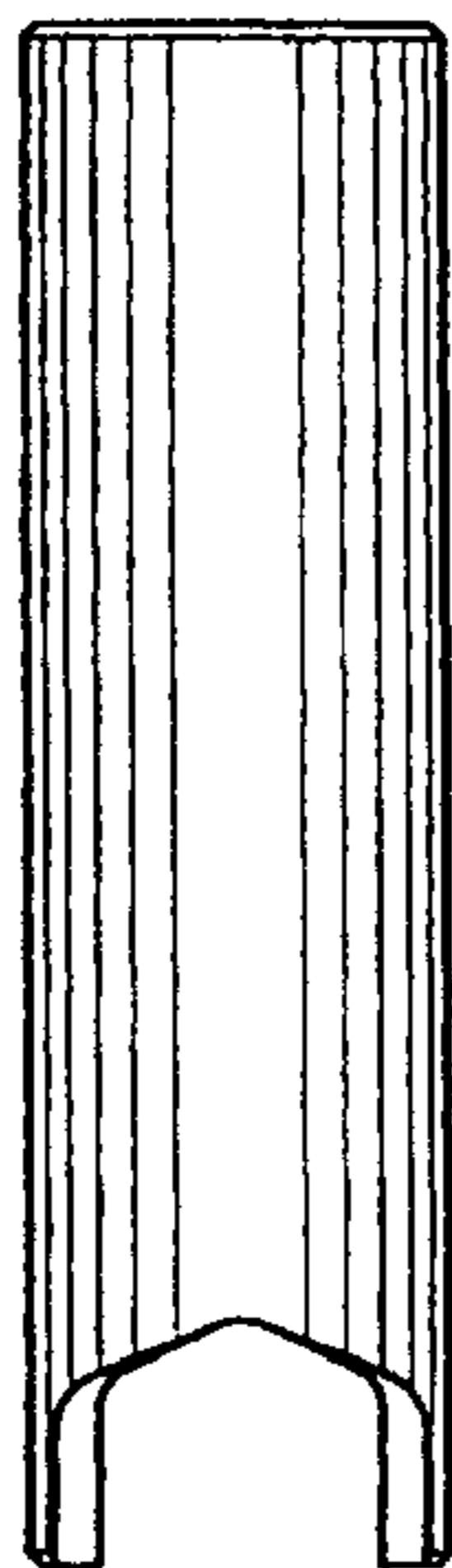


FIG. 3



FIG. 4

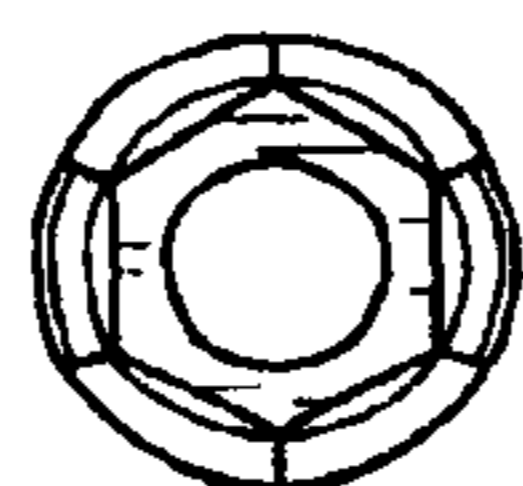


FIG. 5

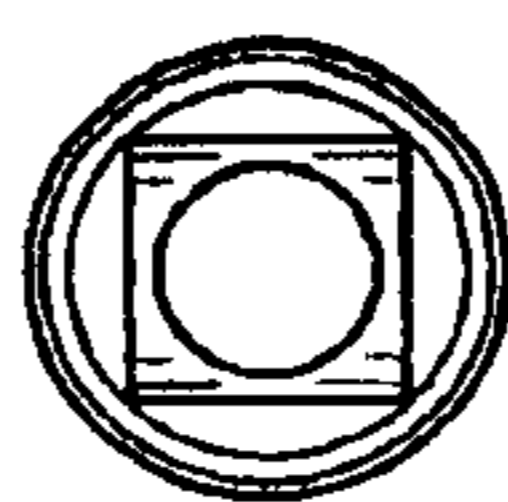


FIG. 6