



US00D622116S

(12) **United States Design Patent**
Ivankovic

(10) **Patent No.:** **US D622,116 S**

(45) **Date of Patent:** **** Aug. 24, 2010**

(54) **PLUMBING TOOL**

(76) Inventor: **Petar Ivankovic**, 18 Fairington,
Hamilton, ON (CA) L8E 3N4

(**) Term: **14 Years**

(21) Appl. No.: **29/353,431**

(22) Filed: **Jan. 8, 2010**

(51) **LOC (9) Cl.** **08-05**

(52) **U.S. Cl.** **D8/21**

(58) **Field of Classification Search** D8/21-29;
81/60, 177.1, 177.85, 121.1, 124.3, 165-170,
81/110.1, 176.2, 124.6, 176.1, 176.15, 177.2;
16/110.1; D15/144.1; 219/75, 227, 229,
219/121.16, 121.18

See application file for complete search history.

(56) **References Cited**

U.S. PATENT DOCUMENTS

1,521,464	A *	12/1924	Miller	81/99
1,795,048	A *	3/1931	Schuh	81/98
2,491,623	A *	12/1949	Sesak	81/99
2,953,050	A *	9/1960	Nolen	81/99

4,485,702	A *	12/1984	Swan et al.	81/98
4,604,919	A *	8/1986	Rollo	81/58.2
5,251,519	A *	10/1993	Lang	81/177.2
5,549,022	A *	8/1996	Knox	81/124.2
7,121,172	B1 *	10/2006	Daniels	81/98

* cited by examiner

Primary Examiner—Raphael Barkai

Assistant Examiner—Randall H Gholson

(57) **CLAIM**

The ornamental design for a plumbing tool, as shown and described.

DESCRIPTION

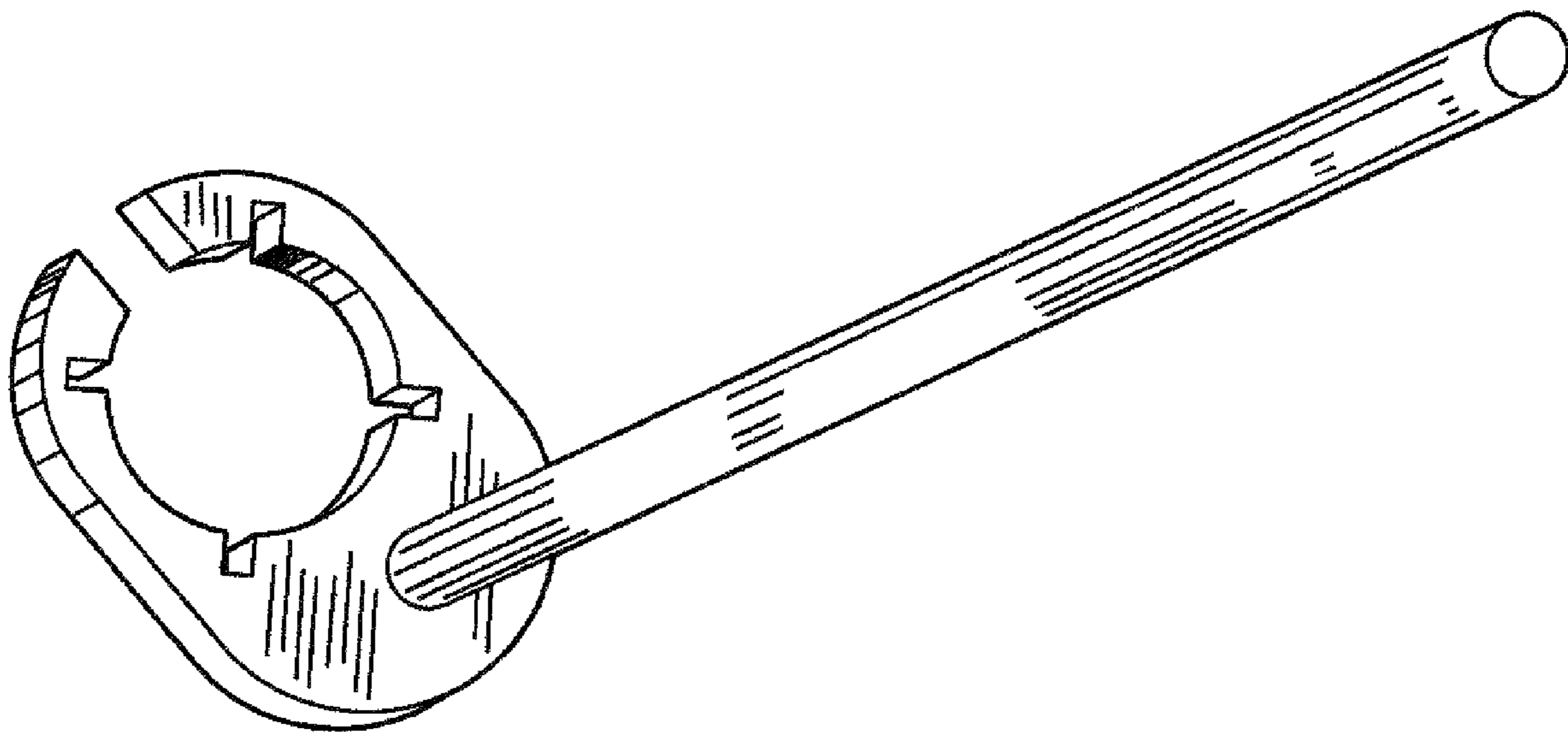
FIG. 1 is a top front perspective view of the present design namely a plumbing tool.

FIG. 2 is a bottom back perspective view of the plumbing tool shown in FIG. 1.

FIG. 3 is a top front perspective view of a second embodiment of the plumbing tool shown in FIG. 1; and,

FIG. 4 is a bottom back perspective view of the plumbing tool shown in FIG. 3.

1 Claim, 4 Drawing Sheets



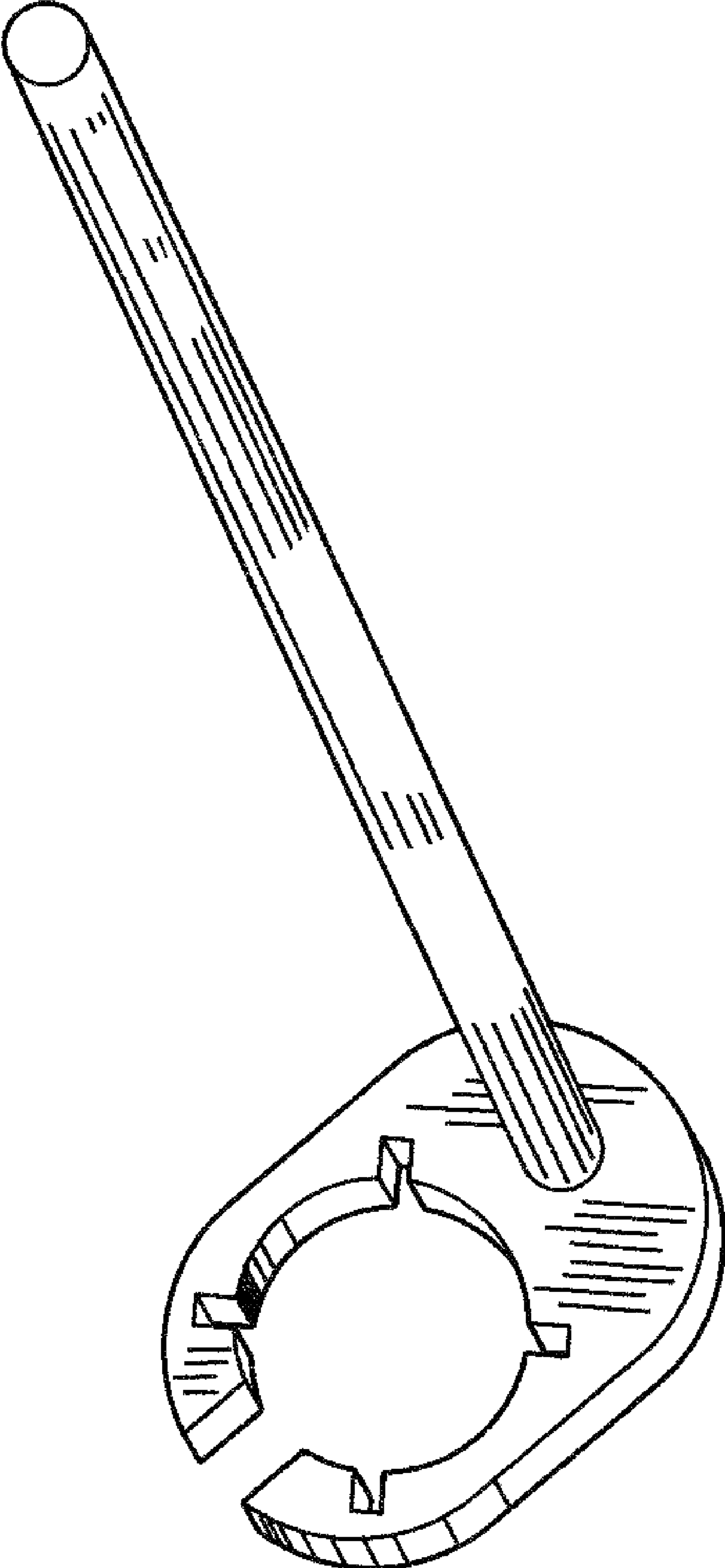


FIGURE - 1

FIGURE - 2

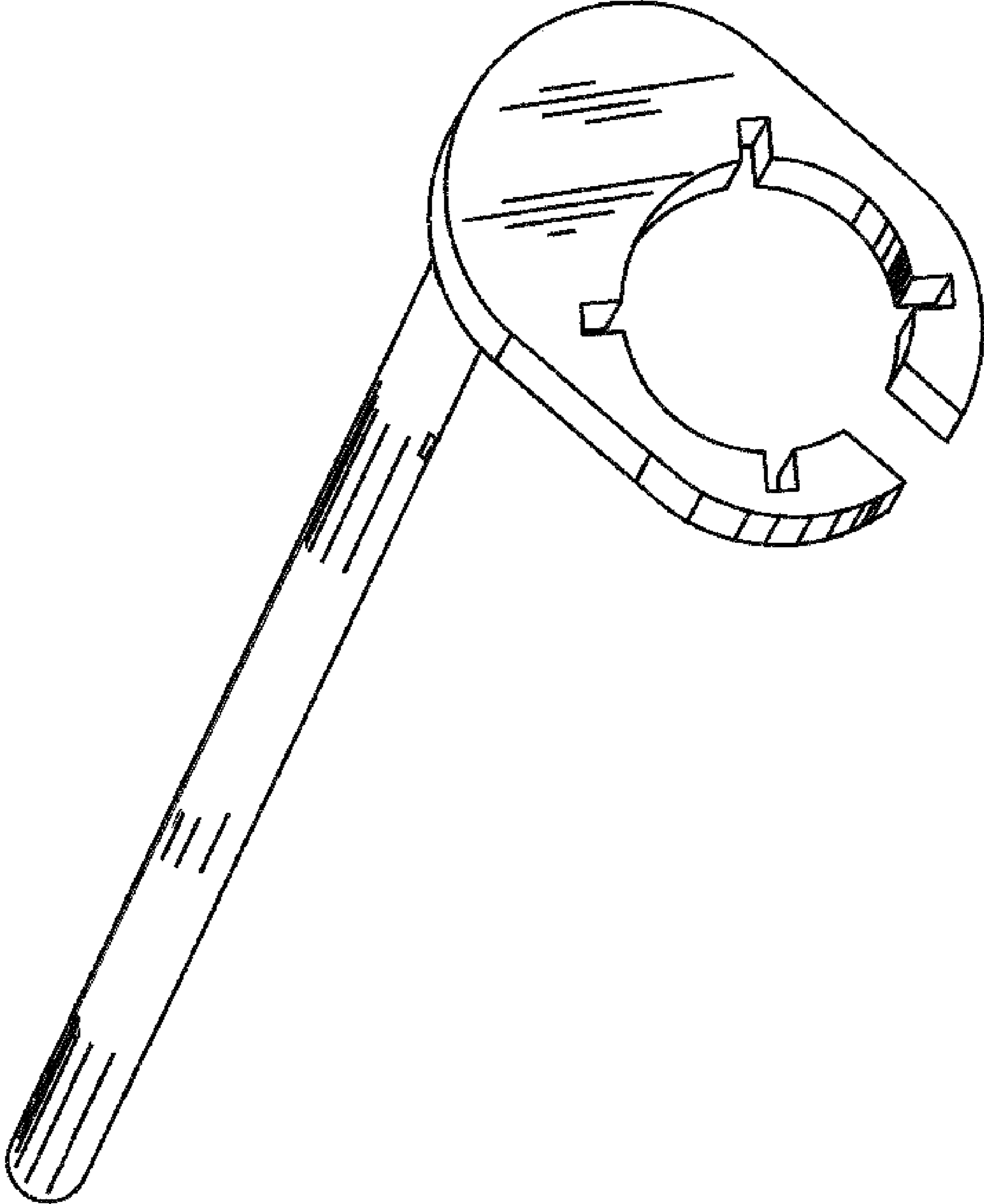
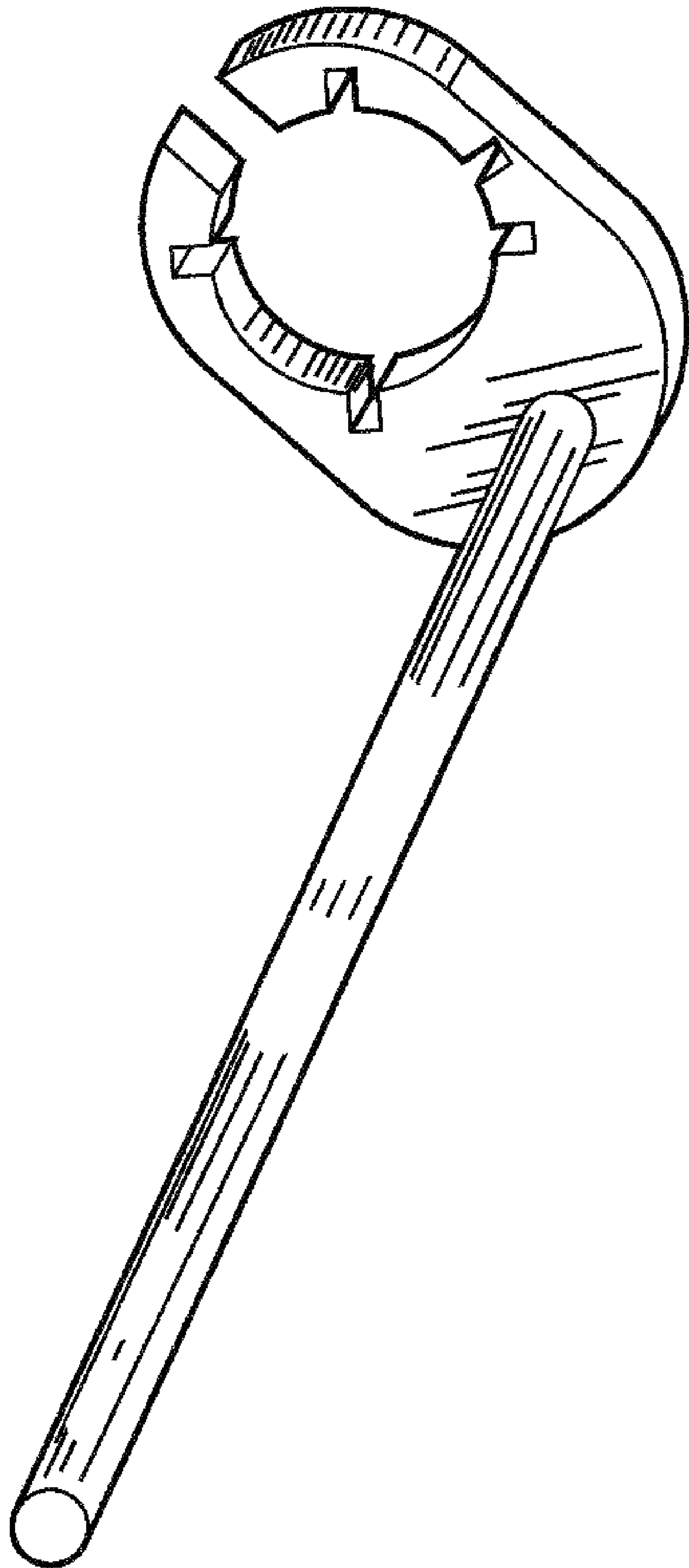


FIGURE - 3



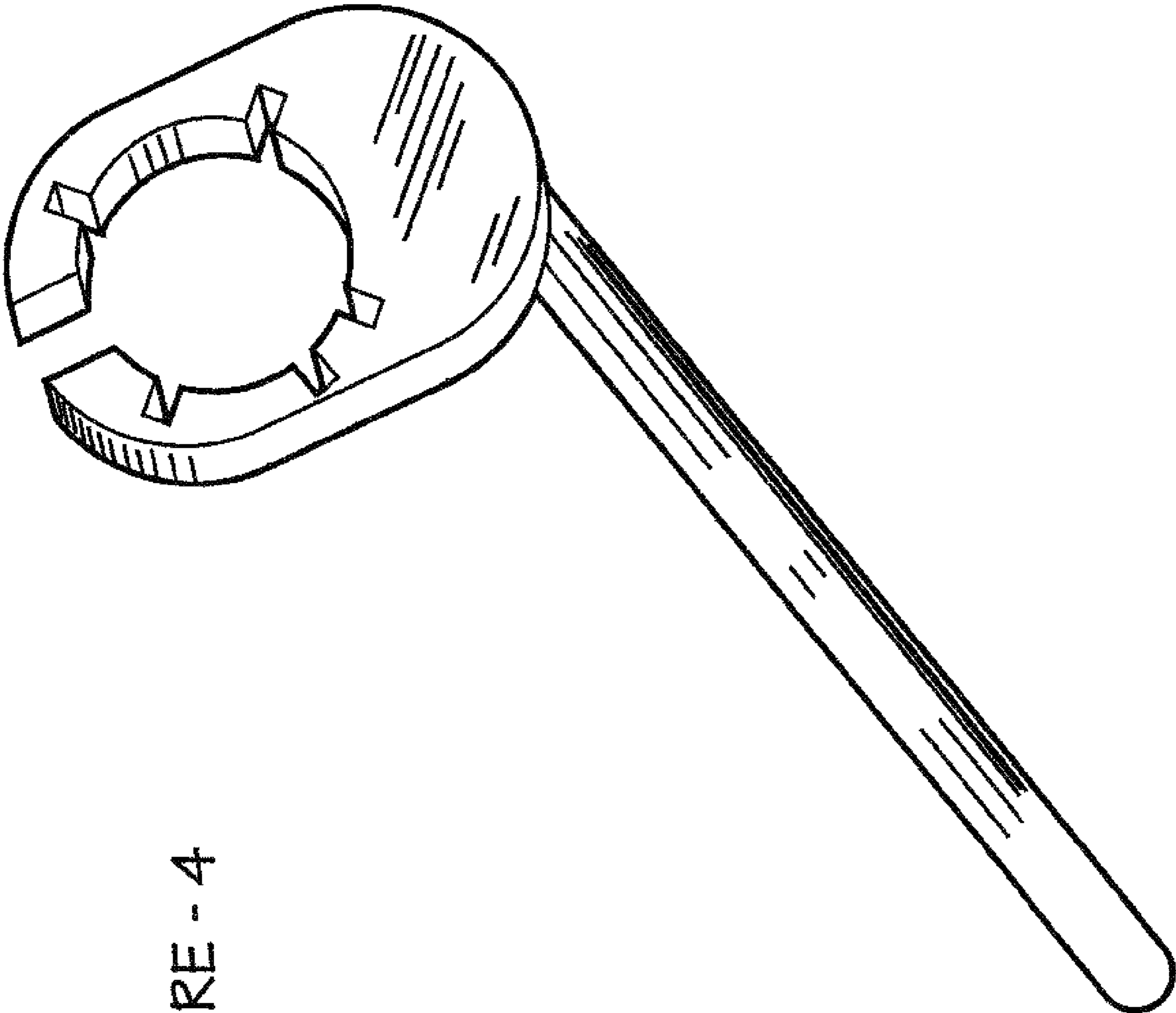


FIGURE - 4