

US00D622114S

(12) **United States Design Patent**
Balliet

(10) **Patent No.:** **US D622,114 S**

(45) **Date of Patent:** **** Aug. 24, 2010**

(54) **WINDOW SCREEN REMOVAL TOOL**

(76) **Inventor:** **James Leroy Balliet**, 531 S. Main St.,
Perkasie, PA (US) 18944

(**) **Term:** **14 Years**

(21) **Appl. No.:** **29/355,493**

(22) **Filed:** **Feb. 9, 2010**

(51) **LOC (9) Cl.** **08-05**

(52) **U.S. Cl.** **D8/16**

(58) **Field of Classification Search** D8/14,
D8/16-19, 33-43, 88, 89, 105, 107; 7/113,
7/151-156; 81/3.07, 3.09, 3.2, 3.27, 3.29,
81/3.31, 3.35, 3.37, 3.4, 3.45, 3.48, 3.49,
81/3.55

See application file for complete search history.

(56) **References Cited**

U.S. PATENT DOCUMENTS

D175,935 S *	11/1955	Davis	D8/17
3,071,849 A *	1/1963	Krohm	D8/17
3,204,907 A *	9/1965	Tattrie	D8/16
D301,196 S *	5/1989	Price	D8/18
D420,882 S *	2/2000	Majolo et al.	D8/14

D457,405 S *	5/2002	White	D8/16
D479,970 S *	9/2003	Hutchinson	D8/88
D579,739 S *	11/2008	Barone	D8/14
D601,395 S *	10/2009	Burton	D8/40
D605,911 S *	12/2009	Lian et al.	D8/14

* cited by examiner

Primary Examiner—Garth Rademaker

(74) *Attorney, Agent, or Firm*—Kenneth Bower

(57) **CLAIM**

The ornamental design for a window screen removal tool, as shown and described.

DESCRIPTION

FIG. 1: is a front perspective view of a window screen removal tool showing my new design;

FIG. 2: is a front view thereof;

FIG. 3: is a back view thereof;

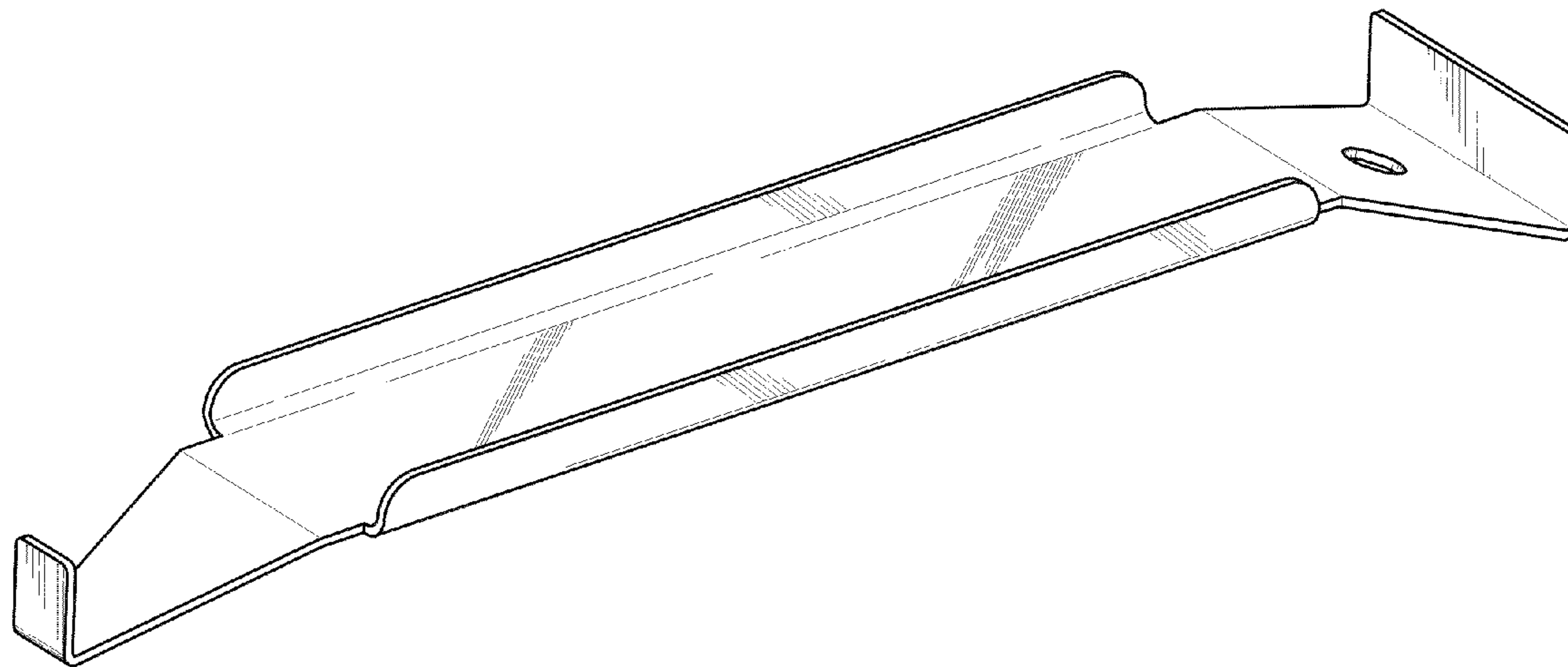
FIG. 4: is a left side view thereof;

FIG. 5: is a right side view thereof;

FIG. 6: is a bottom view thereof; and,

FIG. 7: is a top view thereof.

1 Claim, 4 Drawing Sheets



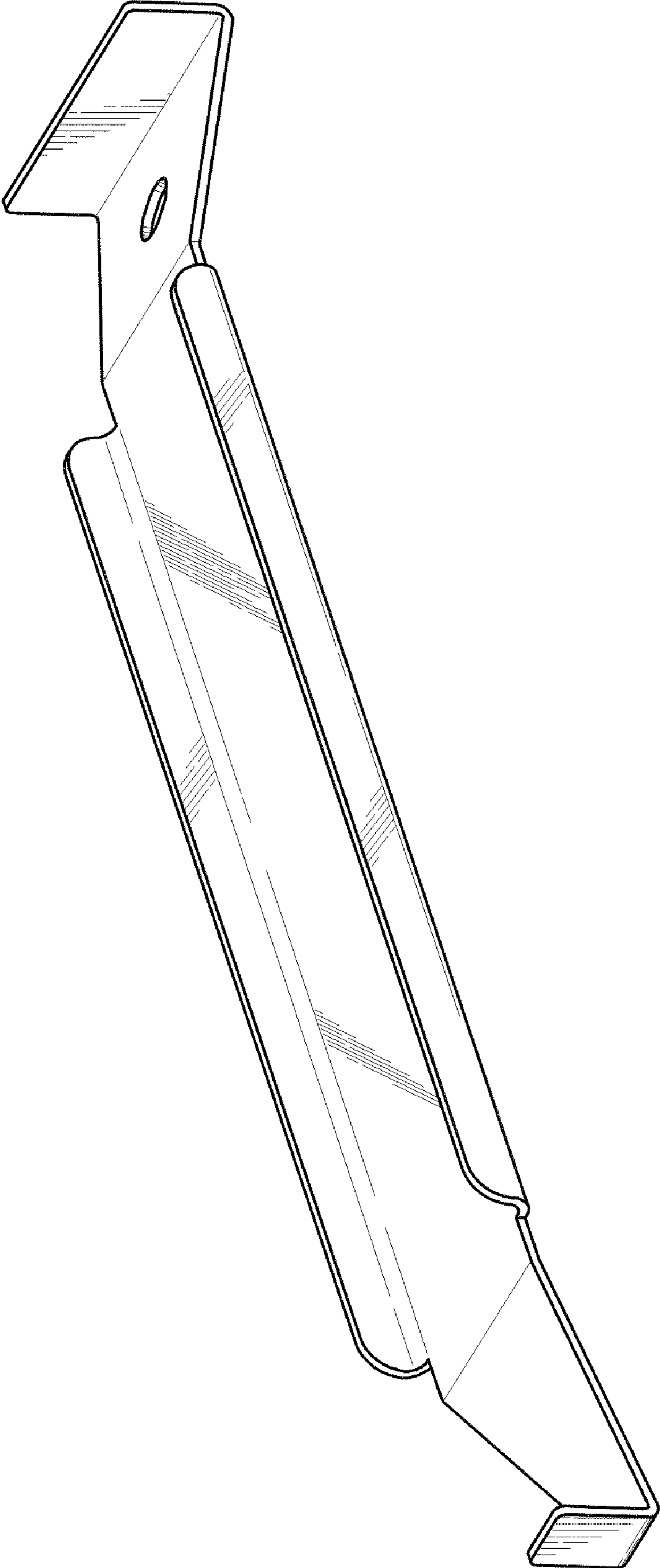


Fig. 1

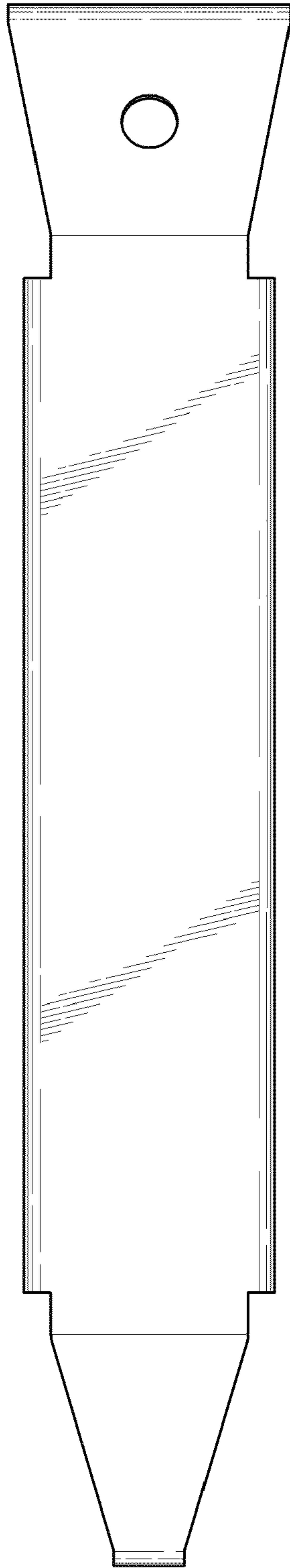


Fig. 2

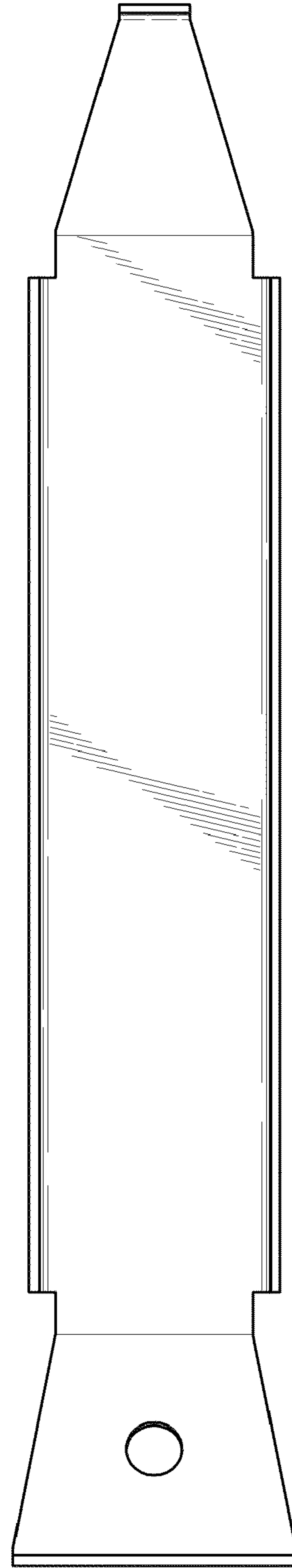


Fig. 3

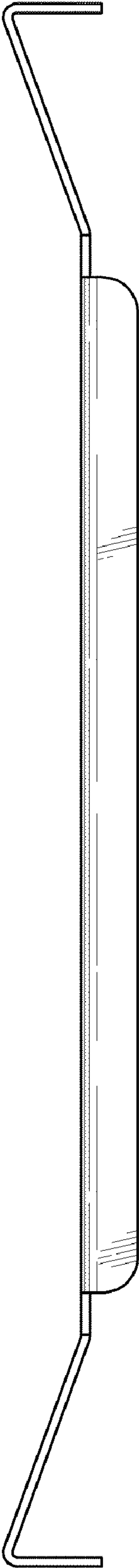


Fig. 4

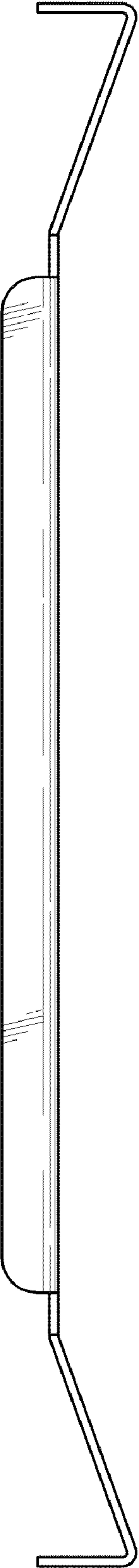


Fig. 5

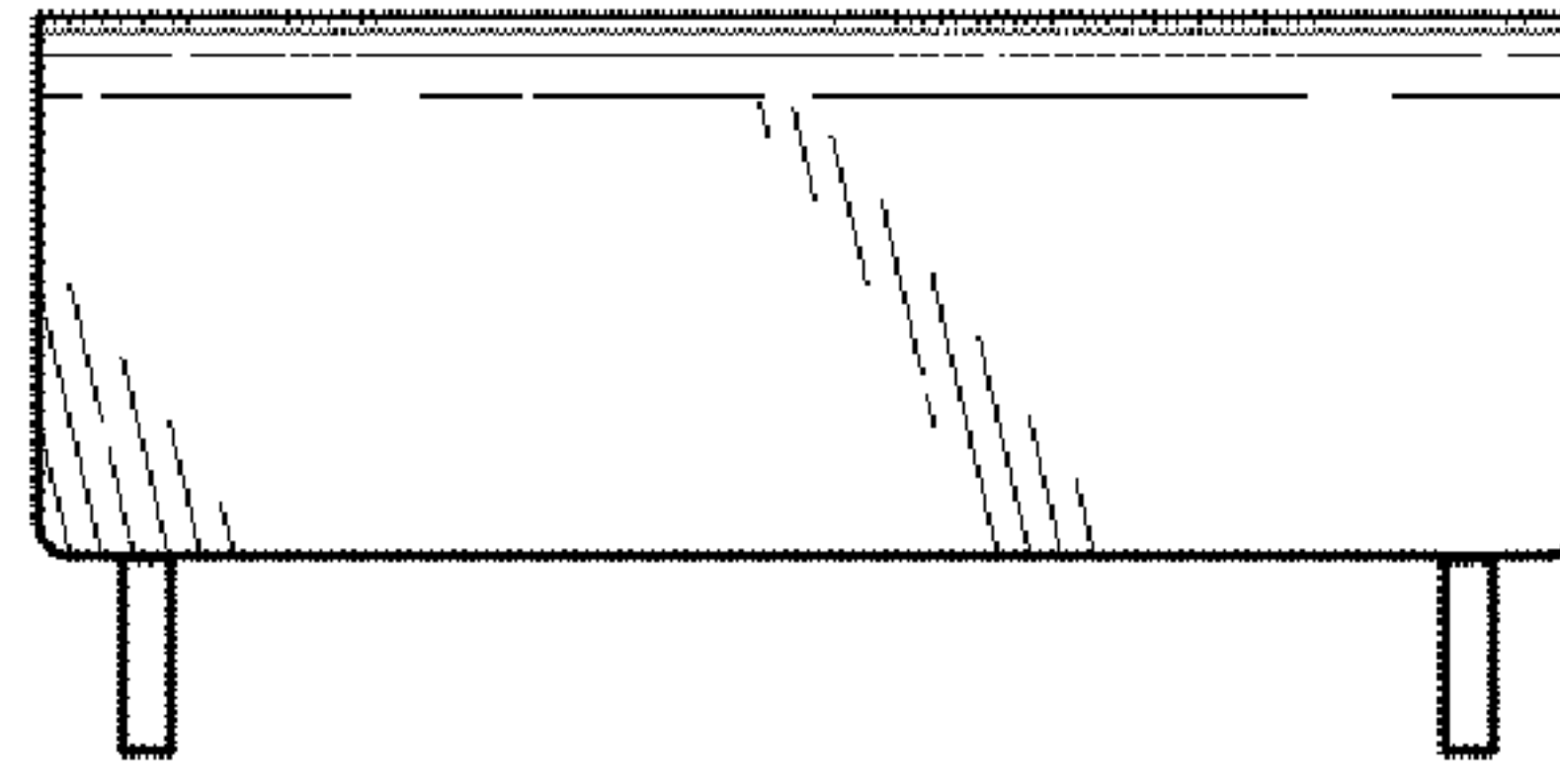


Fig. 6

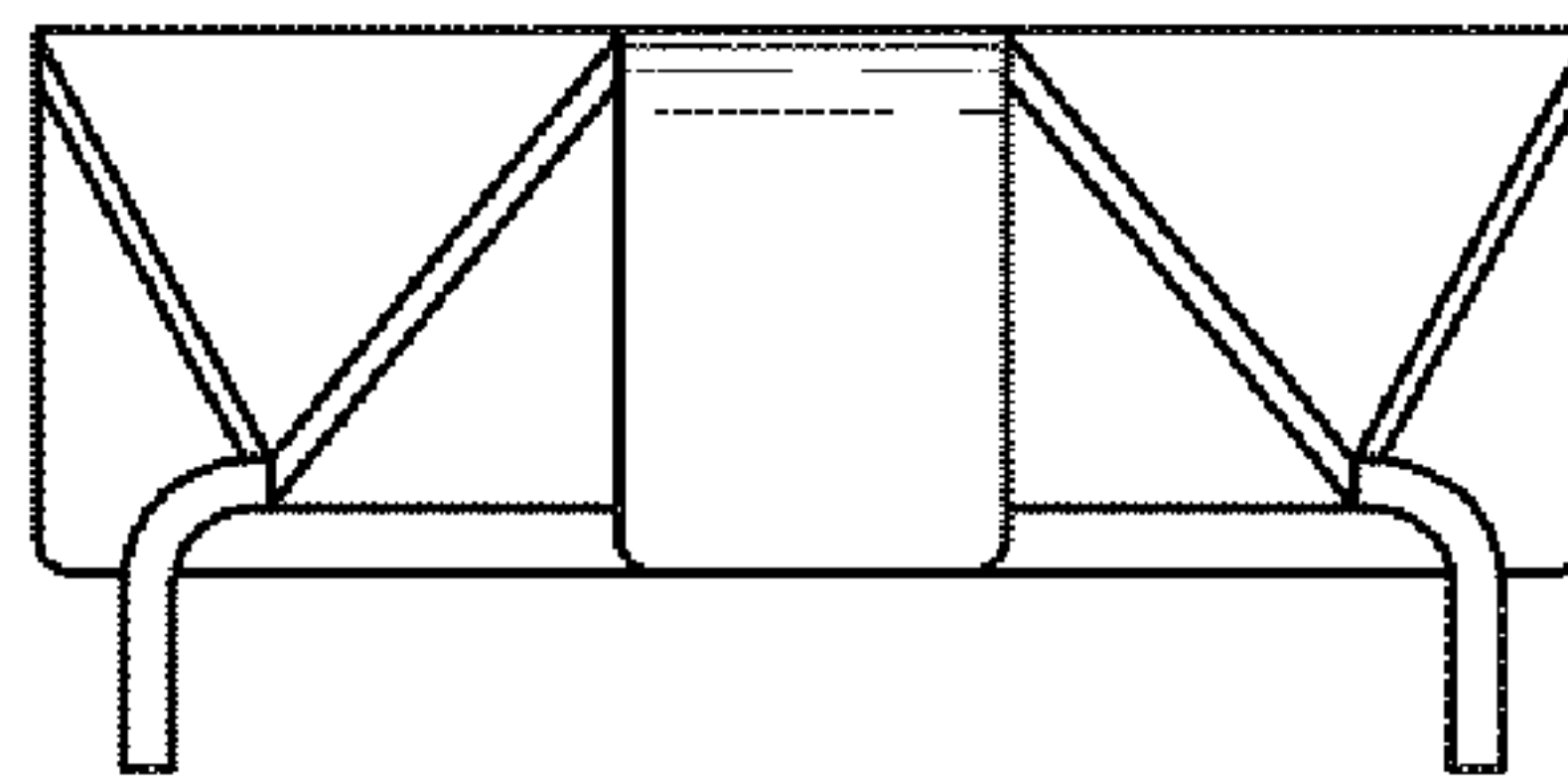


Fig. 7