



US00D622111S

(12) **United States Design Patent**
Boyette et al.

(10) **Patent No.:** **US D622,111 S**

(45) **Date of Patent:** **** Aug. 24, 2010**

(54) **WATERING TUBE DEVICE**

(75) Inventors: **Mary Beth Boyette**, P.O. Box 5011,
Montgomery, AL (US) 36103; **Carole B. Crews**,
Montgomery, AL (US); **Courtney Presley**,
Millbrook, AL (US); **Justin Presley**,
Millbrook, AL (US); **Roxanne Kirtley Hawk**,
Houston, TX (US); **Norton E. White, Jr.**,
Houston, TX (US)

(73) Assignee: **Mary Beth Boyette**, Wetumpka, AL
(US)

(**) Term: **14 Years**

(21) Appl. No.: **29/312,431**

(22) Filed: **Oct. 20, 2008**

(51) **LOC (9) Cl.** **08-01**

(52) **U.S. Cl.** **D8/1**

(58) **Field of Classification Search** D8/1;
73/170.17; 47/40.5, 48.5, 79, 81; D23/214;
D11/130.1; 137/433; D30/129

See application file for complete search history.

(56) **References Cited**

U.S. PATENT DOCUMENTS

725,480 A 4/1903 Price
756,109 A 3/1904 Friez
1,383,368 A * 7/1921 Ambrose 47/79

D239,962 S * 5/1976 Von Till D8/1
D282,813 S * 3/1986 Tappan et al. D8/1
5,038,606 A 8/1991 Geshwender
5,349,997 A * 9/1994 Rial 141/331
D373,939 S * 9/1996 Swerdlick et al. D8/1
5,894,695 A * 4/1999 Stellatos 47/40.5
6,073,390 A * 6/2000 Baudier 47/40.5
D434,283 S * 11/2000 Dewey D8/1
7,082,717 B1 * 8/2006 Wang 47/81
7,159,455 B1 1/2007 Leonard
7,260,866 B2 8/2007 Hubbard
D559,470 S * 1/2008 Stevens et al. D30/121
D565,912 S * 4/2008 Diekmann et al. D8/1
D578,255 S * 10/2008 Walsh D30/129

* cited by examiner

Primary Examiner—Holly H Baynham

Assistant Examiner—Sheryl Lane

(57) **CLAIM**

We claim the ornamental design for a watering tube device, as shown and described.

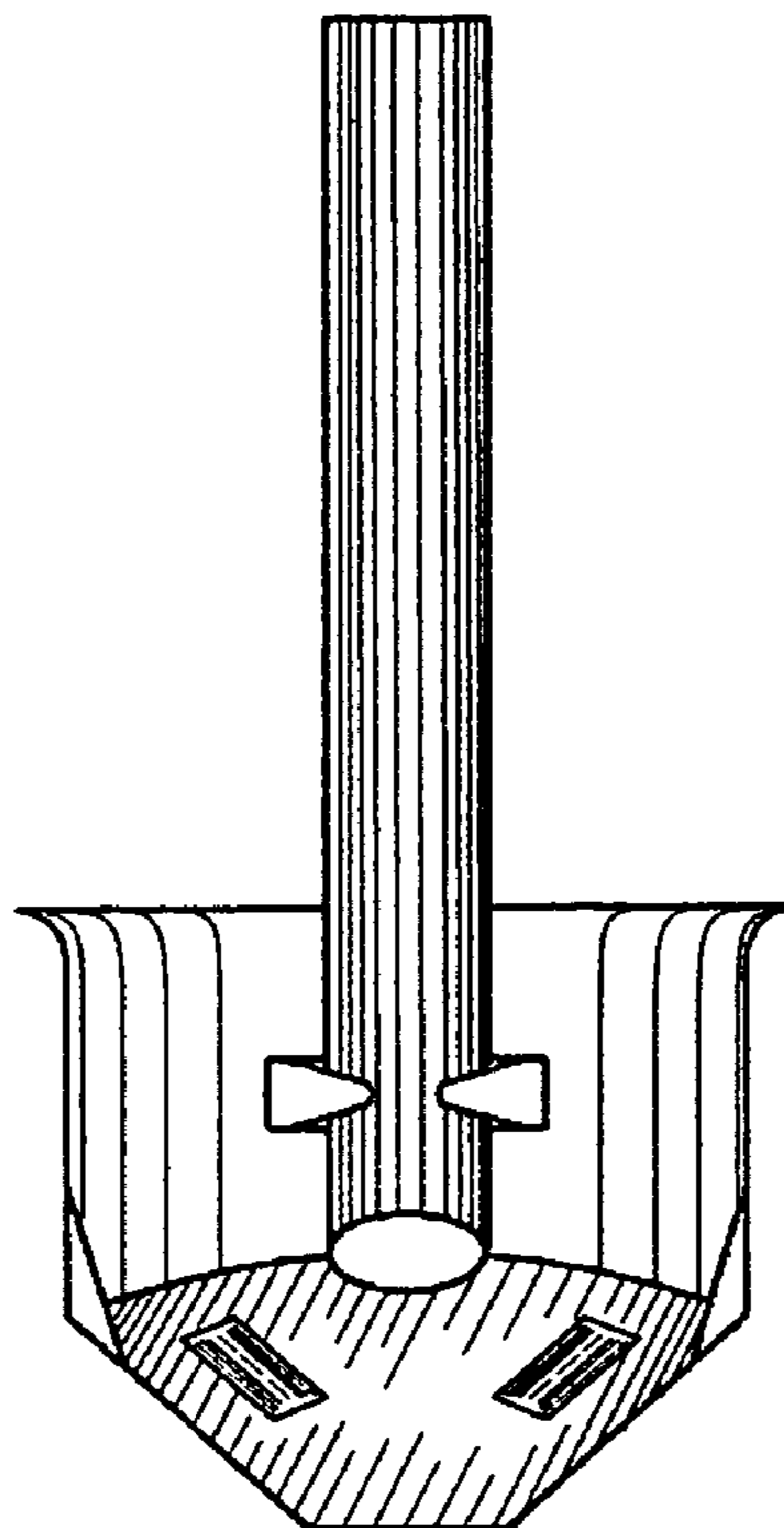
DESCRIPTION

FIG. 1 is a front elevation view of a watering tube device showing the extended portion of the device with flow directors, in flat position;

FIG. 2 shows a front side perspective view thereof, the opposite side being mirror image thereto; and,

FIG. 3 is a back elevation view thereof.

1 Claim, 1 Drawing Sheet



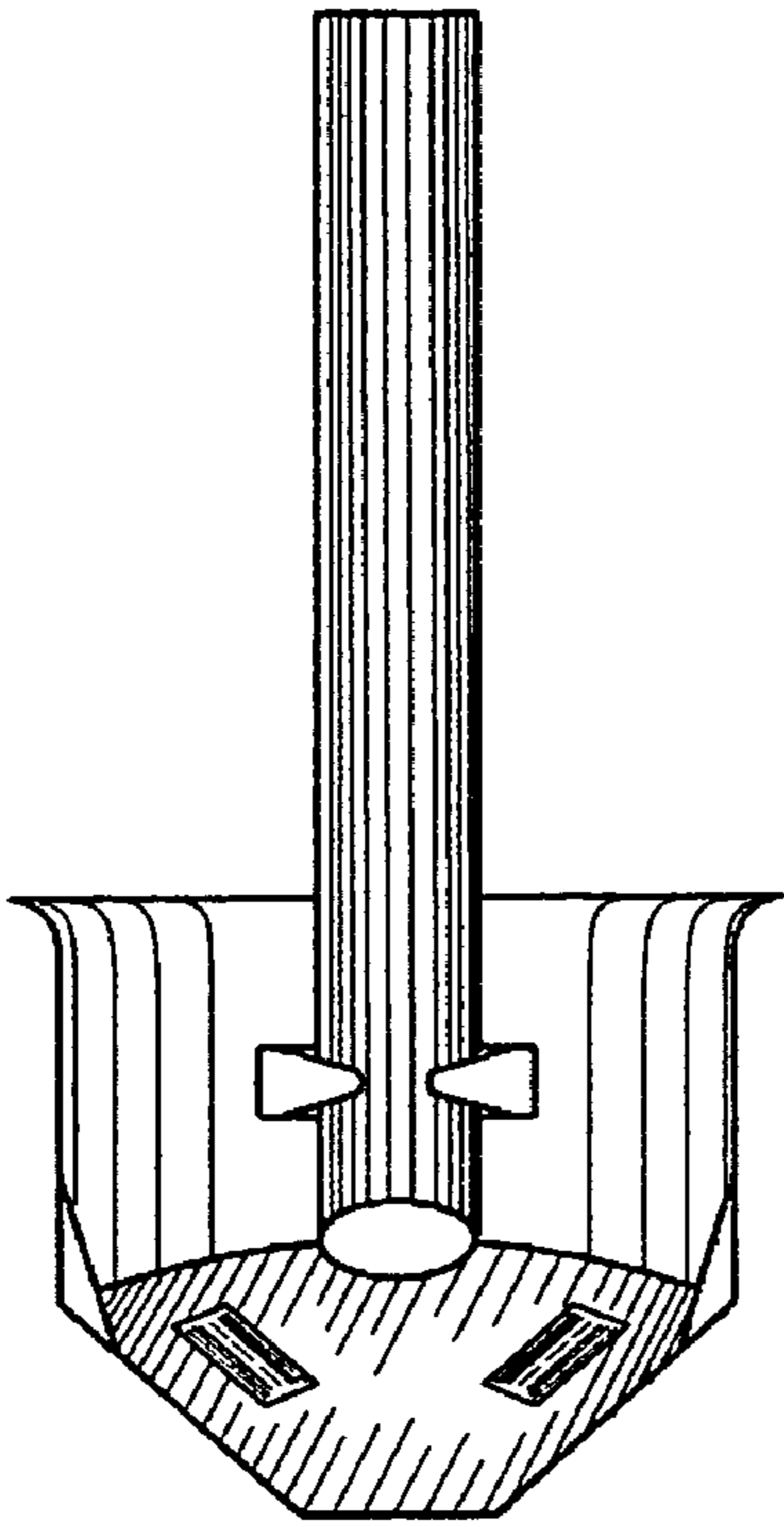


Figure 1

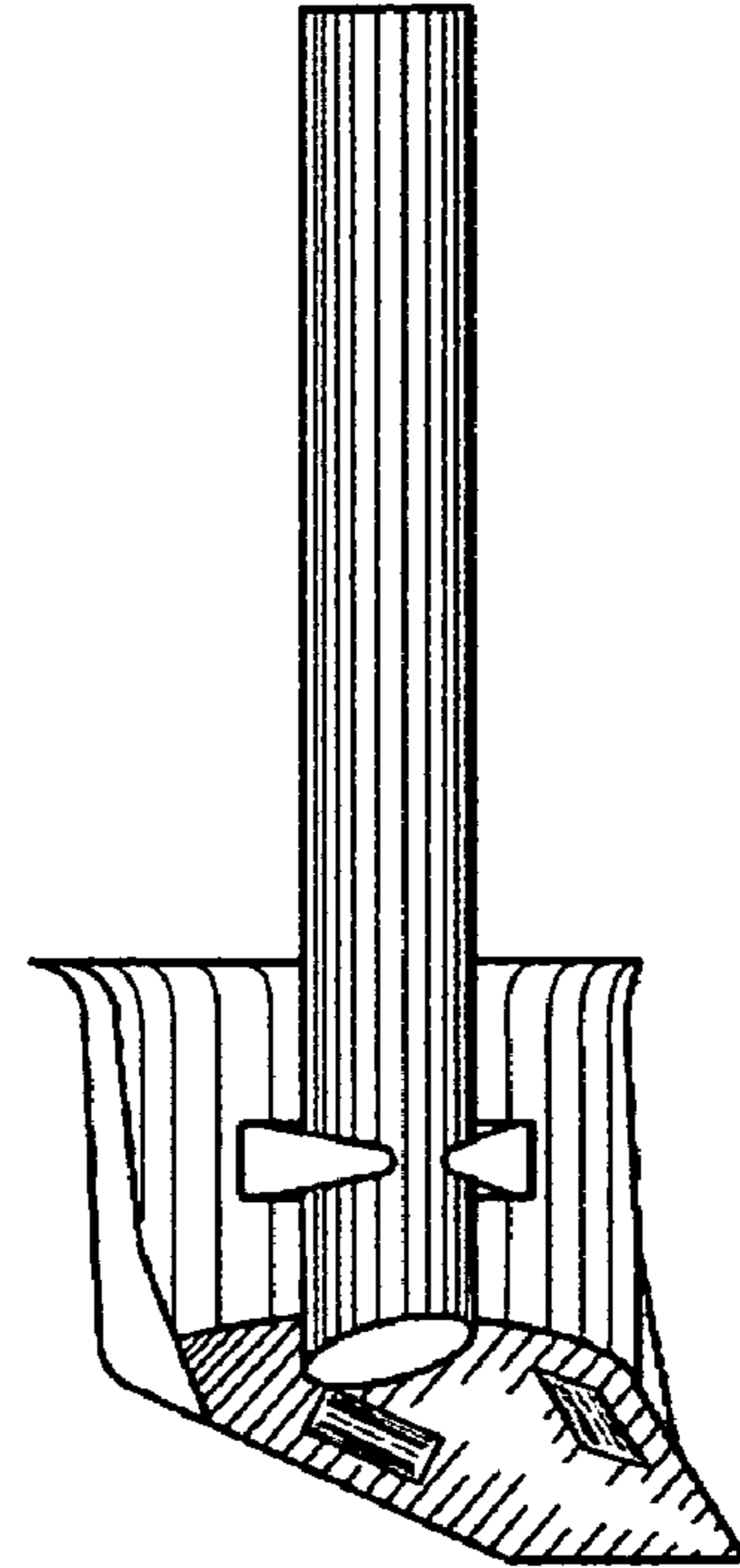


Figure 2

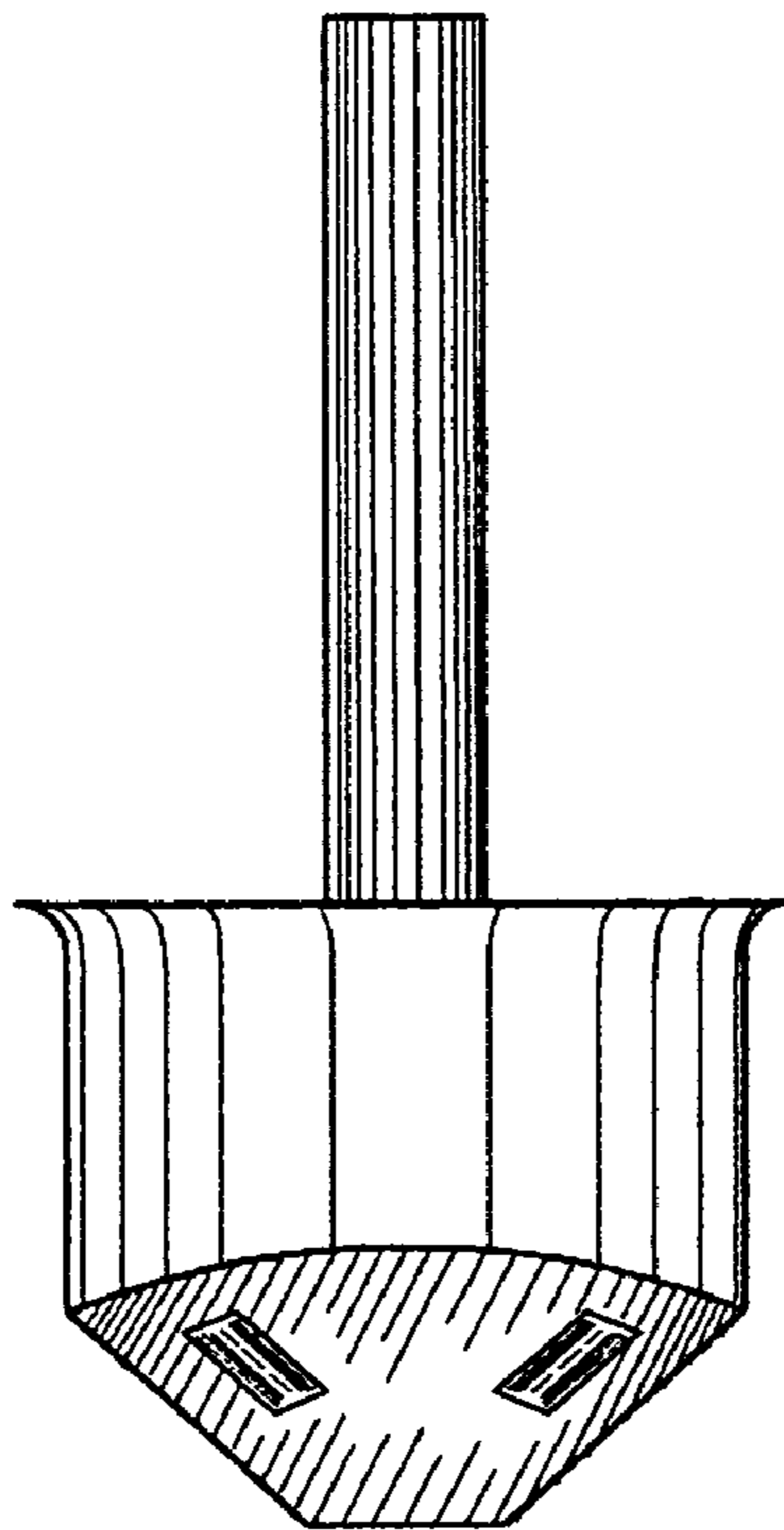


Figure 3