



US00D622110S

(12) **United States Design Patent**
Yang et al.

(10) **Patent No.:** **US D622,110 S**
(45) **Date of Patent:** **** Aug. 24, 2010**

(54) **BAMBOO NAPKIN HOLDER**

(57) **CLAIM**

(75) Inventors: **Frank Yang**, Rancho Palos Verdes, CA (US); **Tzu-Hao Wei**, Hacienda Heights, CA (US); **Di-Fong Chang**, Torrance, CA (US); **Po-Ling Huang**, Brussels (BE)

The ornamental design for the bamboo napkin holder, as shown and described.

(73) Assignee: **Simplehuman LLC**, Torrance, CA (US)

DESCRIPTION

(**) Term: **14 Years**

FIG. 1 is a right perspective view of a bamboo napkin holder showing our new design;

(21) Appl. No.: **29/346,643**

FIG. 2 is a front view thereof;

(22) Filed: **Nov. 3, 2009**

FIG. 3 is a rear view thereof;

(51) **LOC (9) Cl.** **07-06**

FIG. 4 is a top plan view thereof;

(52) **U.S. Cl.** **D7/631**

FIG. 5 is a bottom plan view thereof;

(58) **Field of Classification Search** D7/631-634,
D7/590; D19/75, 77, 78, 85, 86, 90, 91;
211/13.1, 45, 49.1, 50, 51, 59.2; 221/33,
221/34

FIG. 6 is a left side view thereof; and,

FIG. 7 is a right side view thereof.

See application file for complete search history.

FIG. 8 is a right perspective view of a bamboo napkin holder showing our new design in accordance with another embodiment;

FIG. 9 is a front view thereof;

(56) **References Cited**

U.S. PATENT DOCUMENTS

3,878,966 A * 4/1975 Haboush 221/33
D495,214 S * 8/2004 Joseph D7/631
D548,539 S * 8/2007 Yang et al. D7/631

FIG. 10 is a rear view thereof;

FIG. 11 is a top plan view thereof;

FIG. 12 is a bottom plan view thereof;

FIG. 13 is a left side view thereof; and,

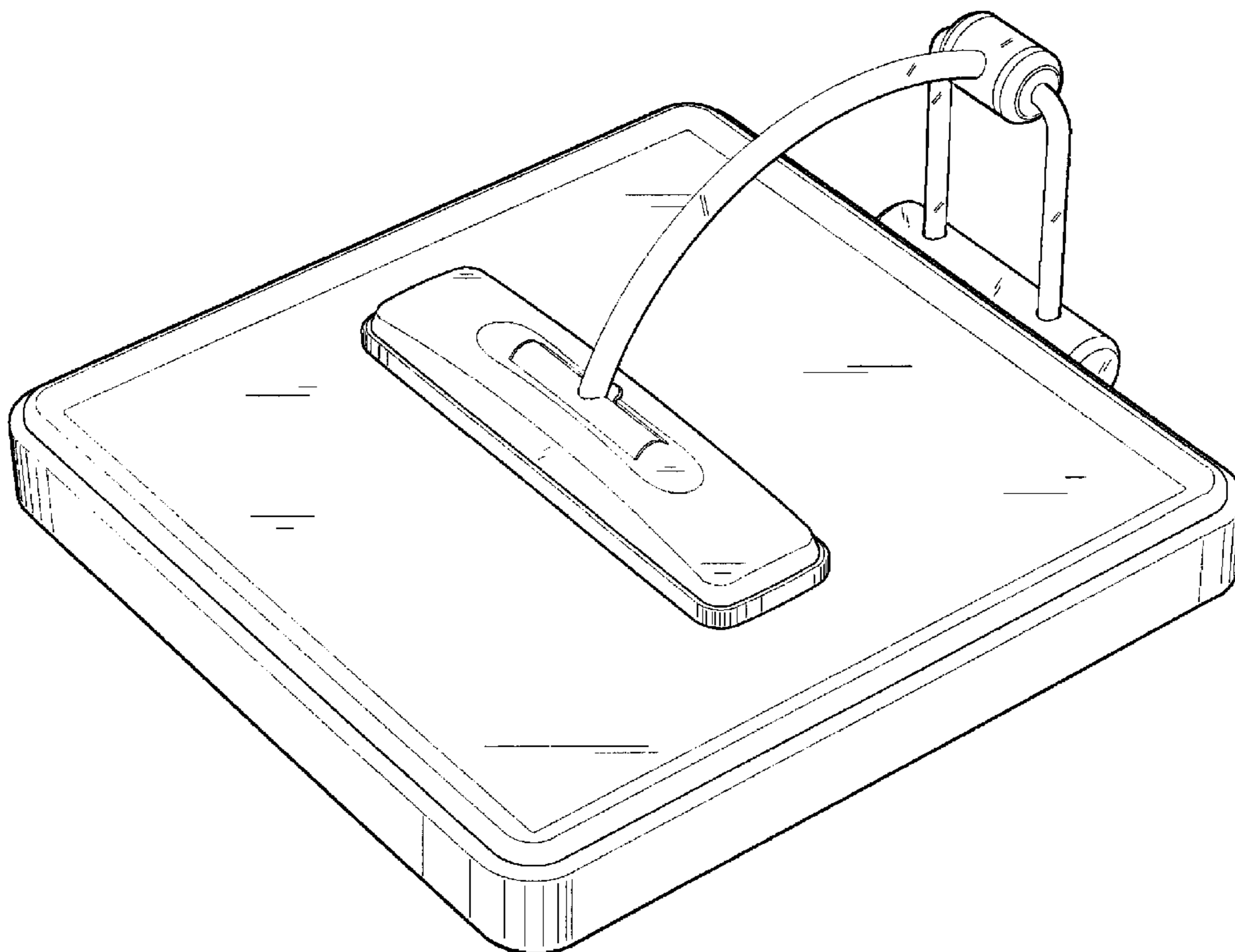
FIG. 14 is a right side view thereof.

* cited by examiner

Stippling is used in FIGS. 8 to 14 to illustrate a contrast in materials, textures, colors and/or finishes for different areas of the new design.

Primary Examiner—Terry A Wallace
(74) *Attorney, Agent, or Firm*—Liu & Liu

1 Claim, 14 Drawing Sheets



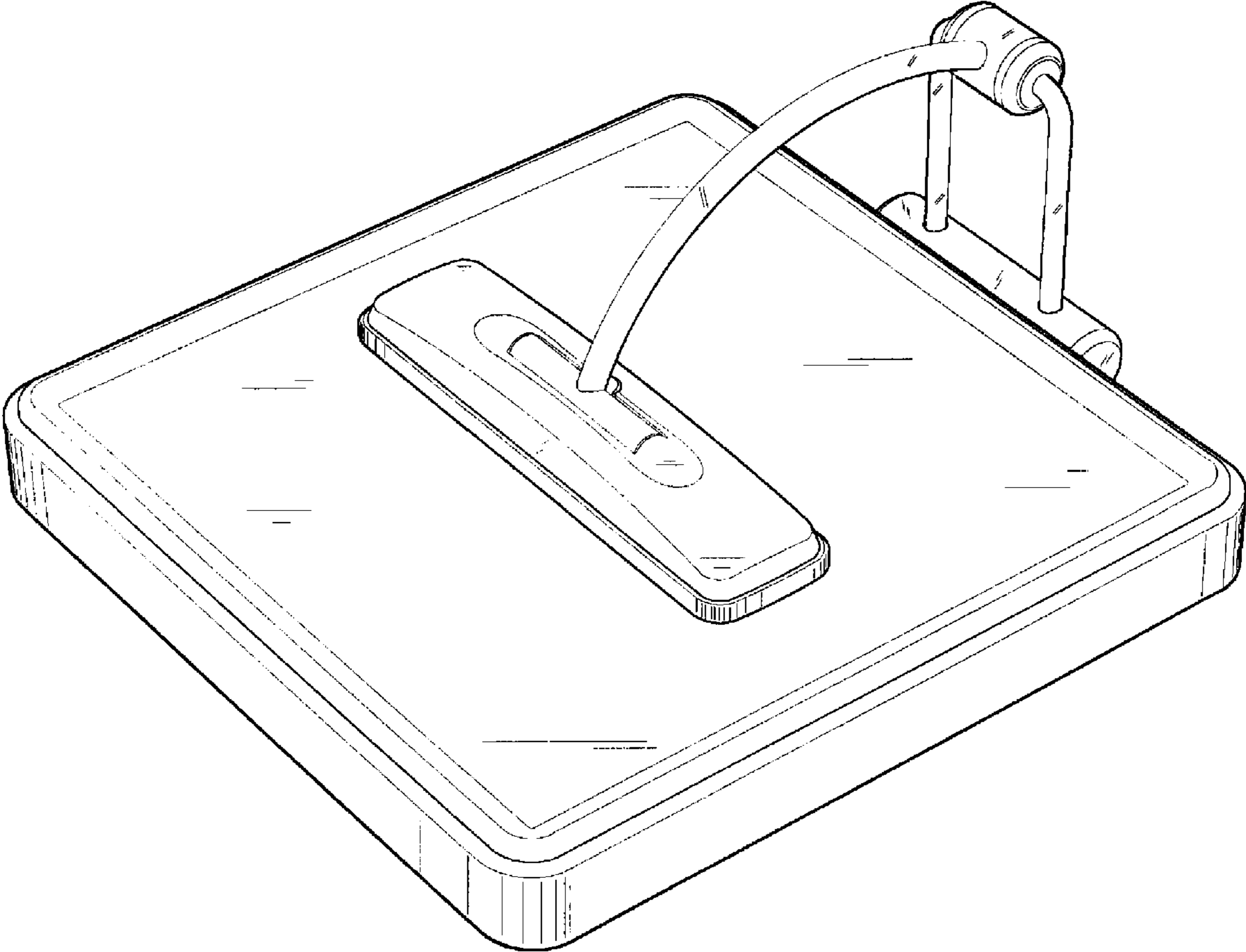


FIG. 1

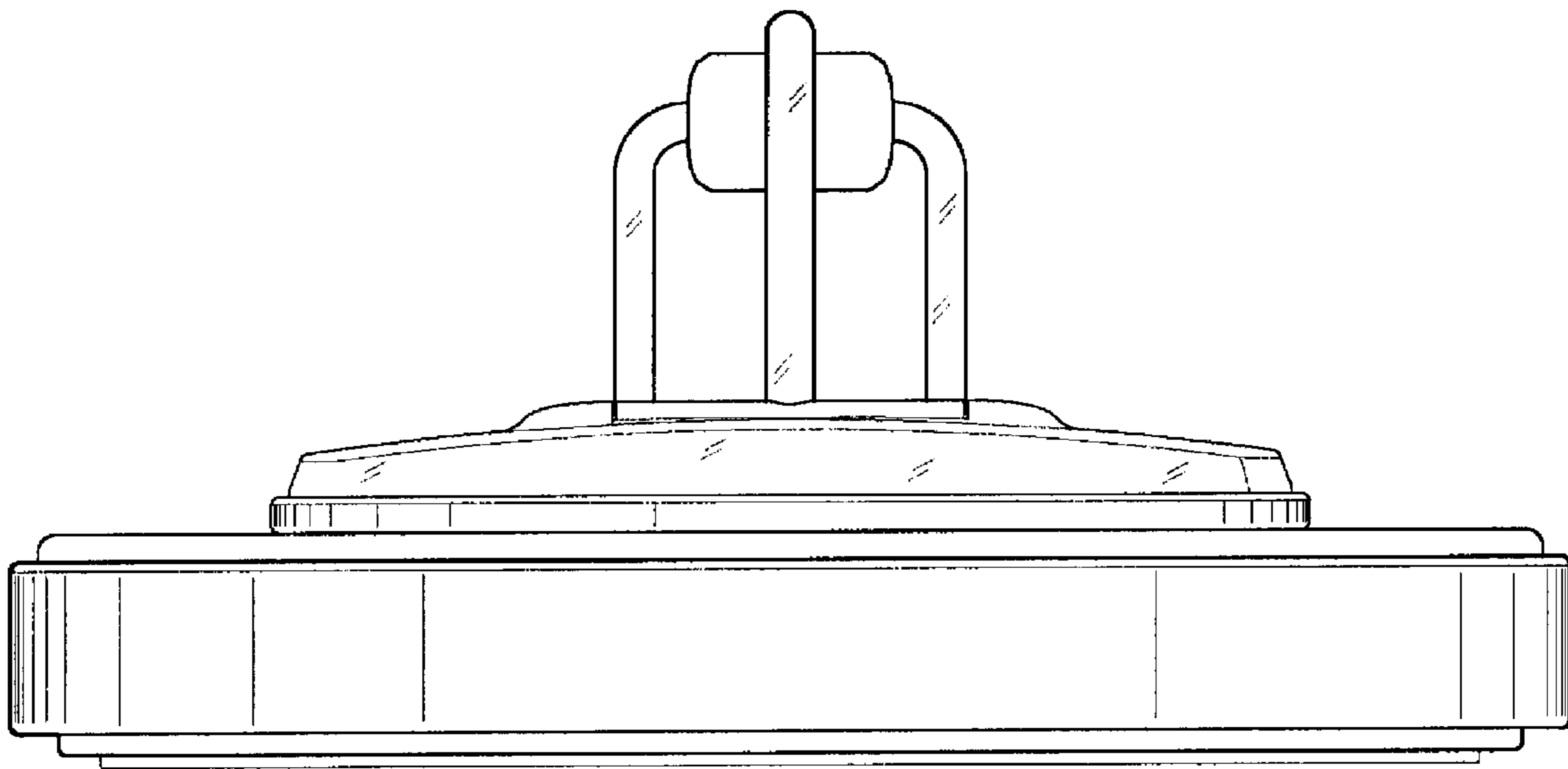


FIG. 2

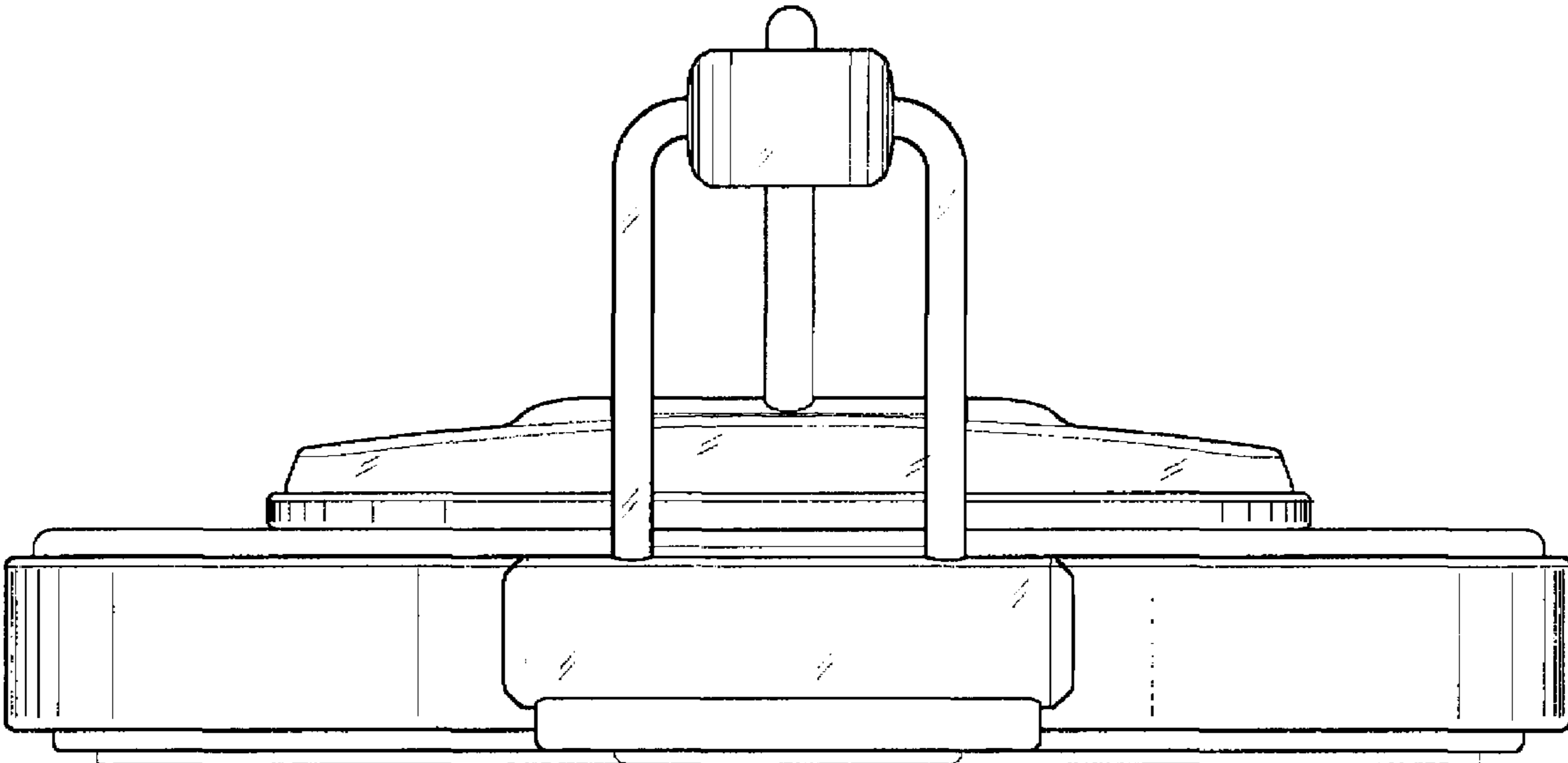


FIG. 3

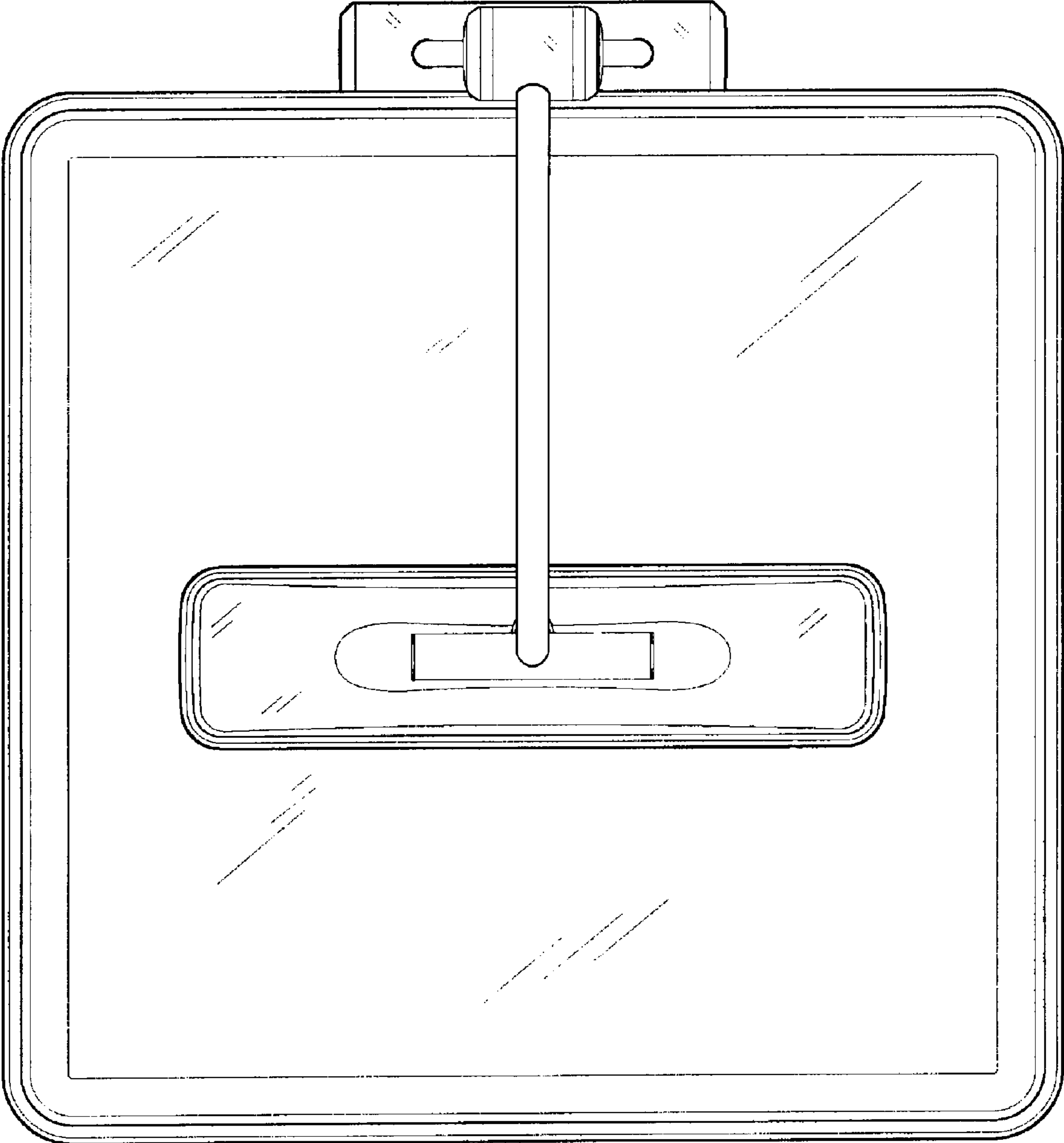


FIG. 4

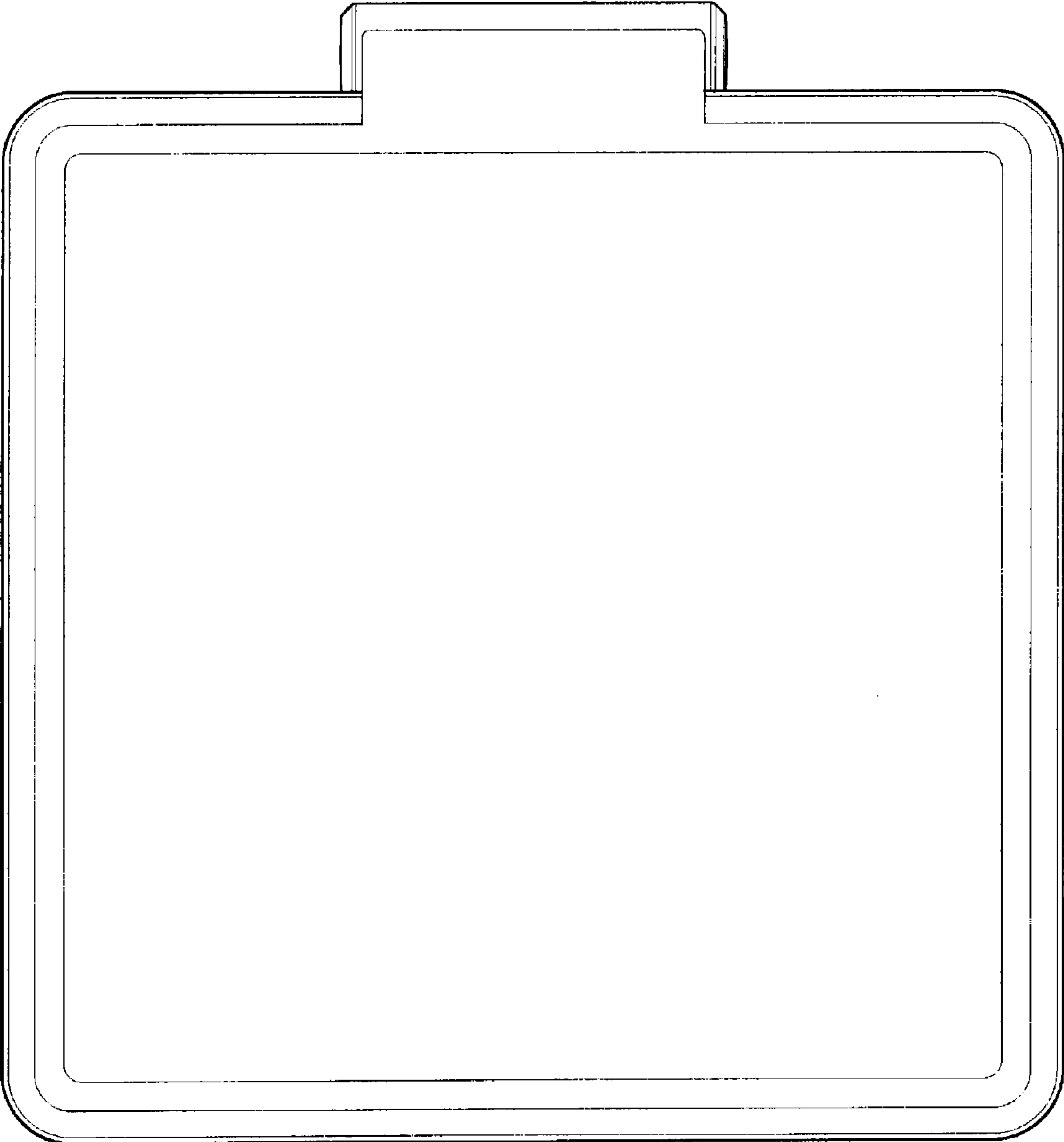


FIG. 5

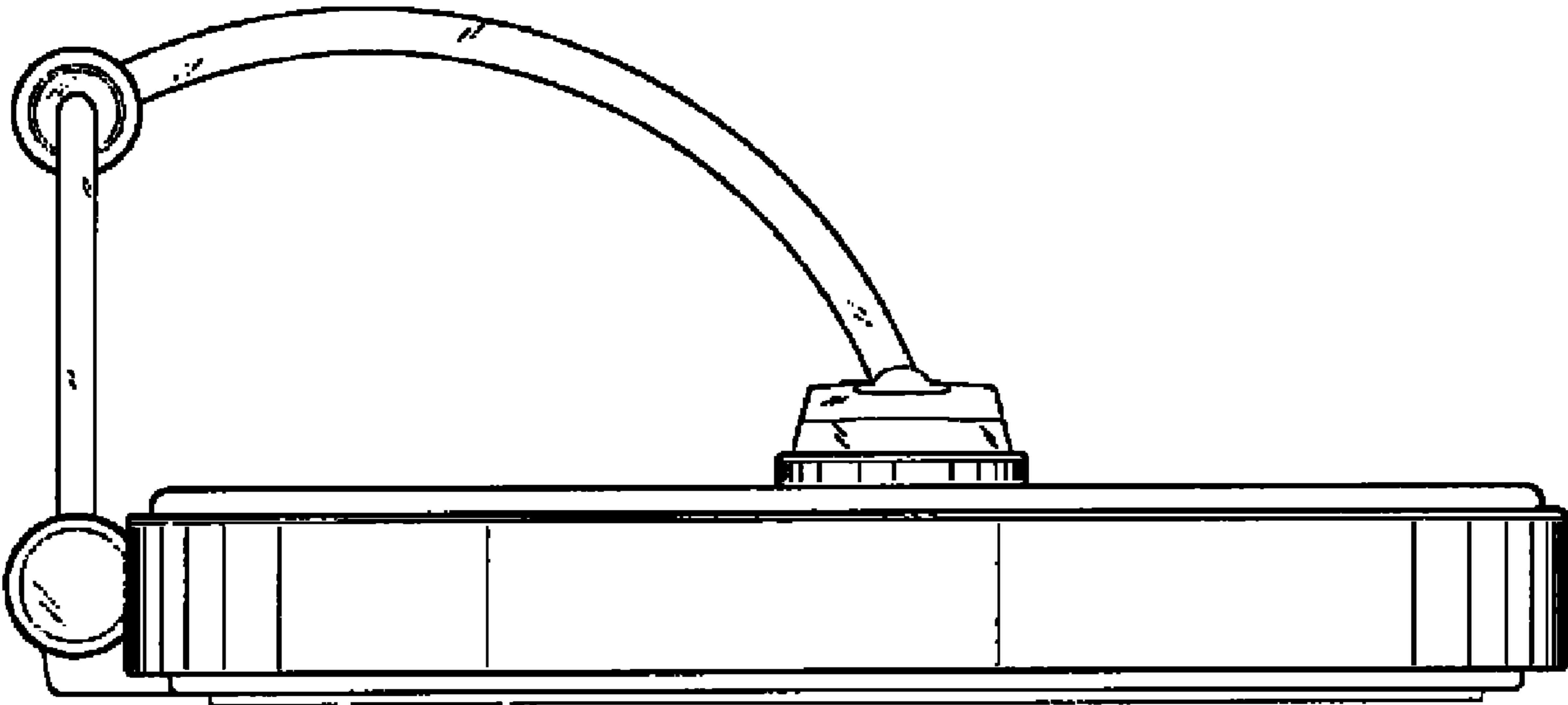


FIG. 6

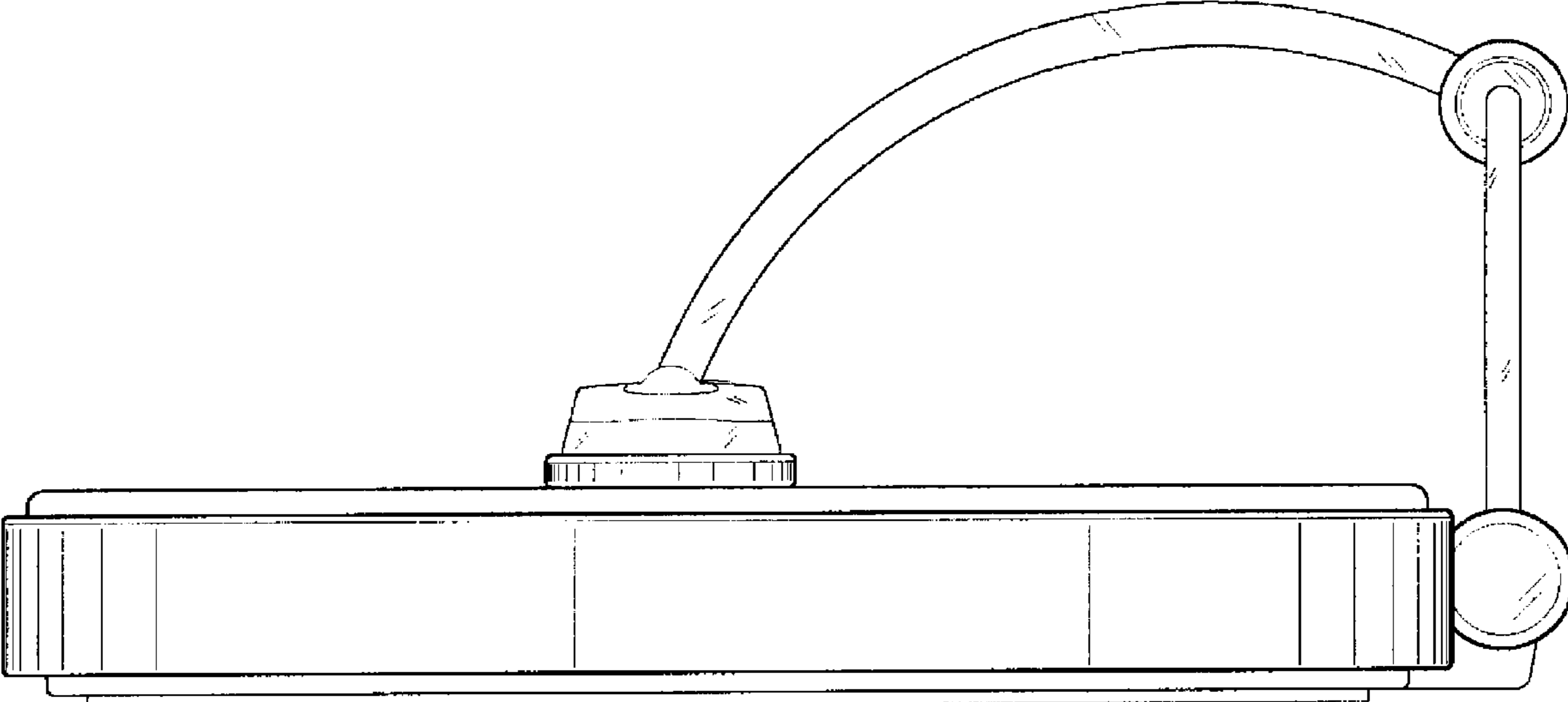


FIG. 7

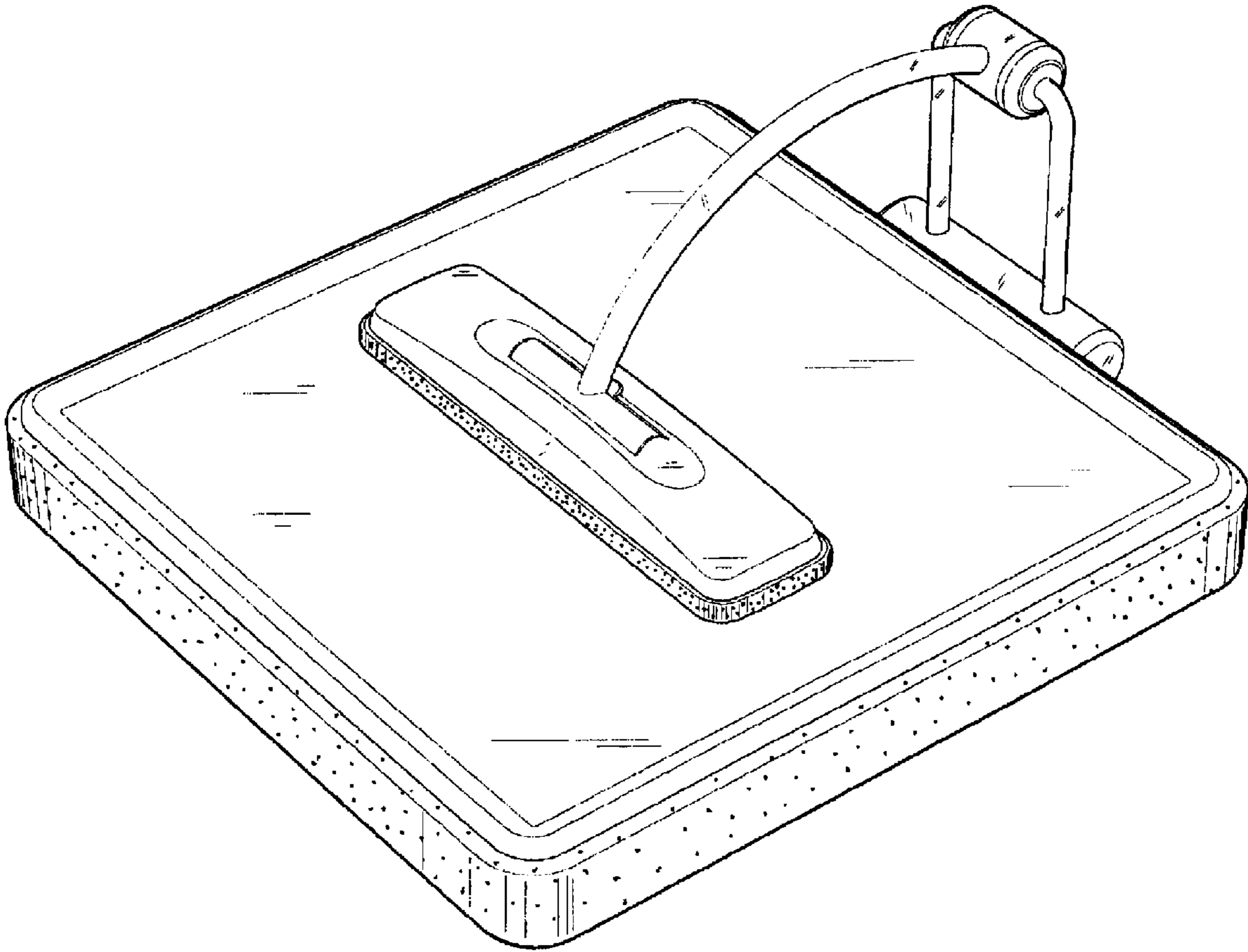


FIG. 8

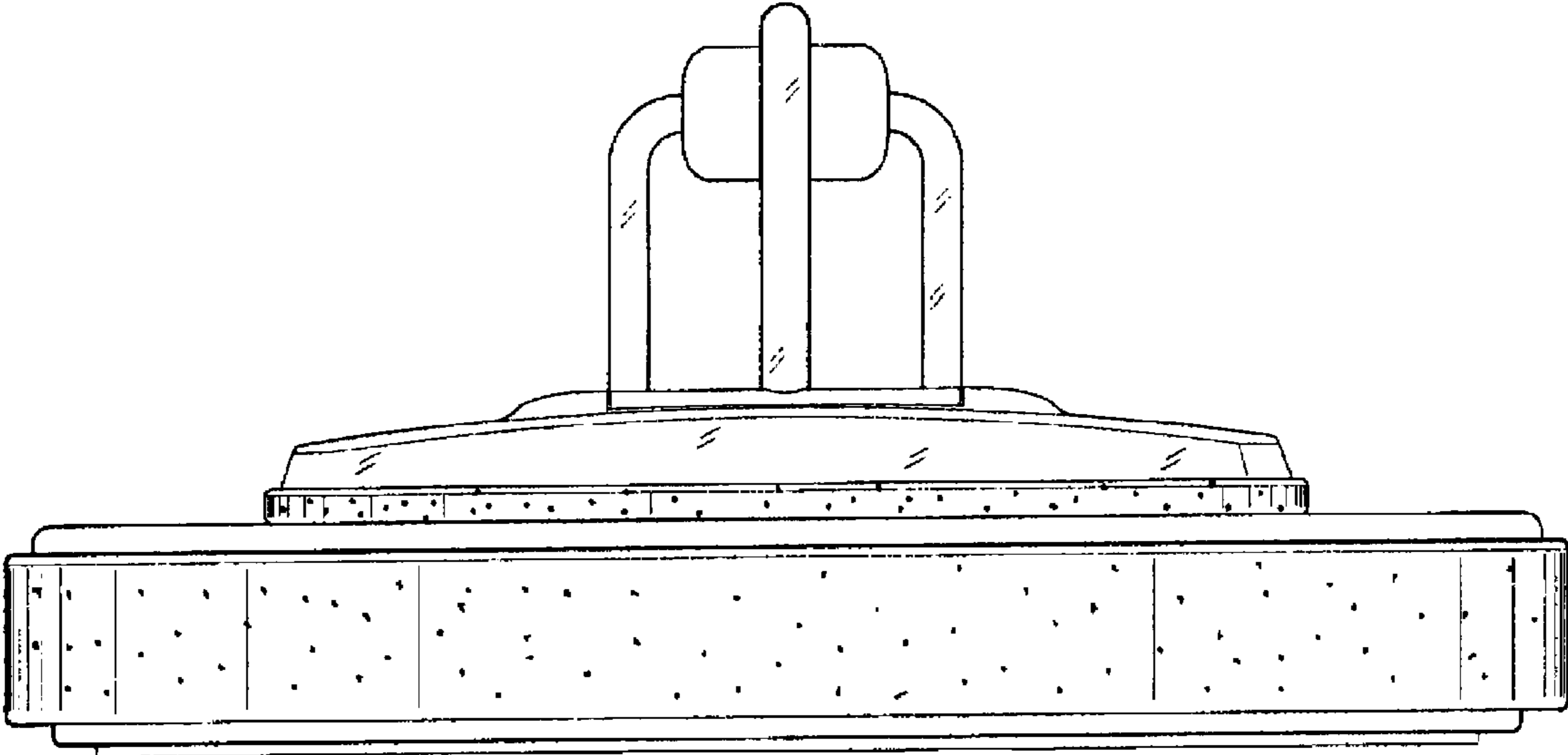


FIG. 9

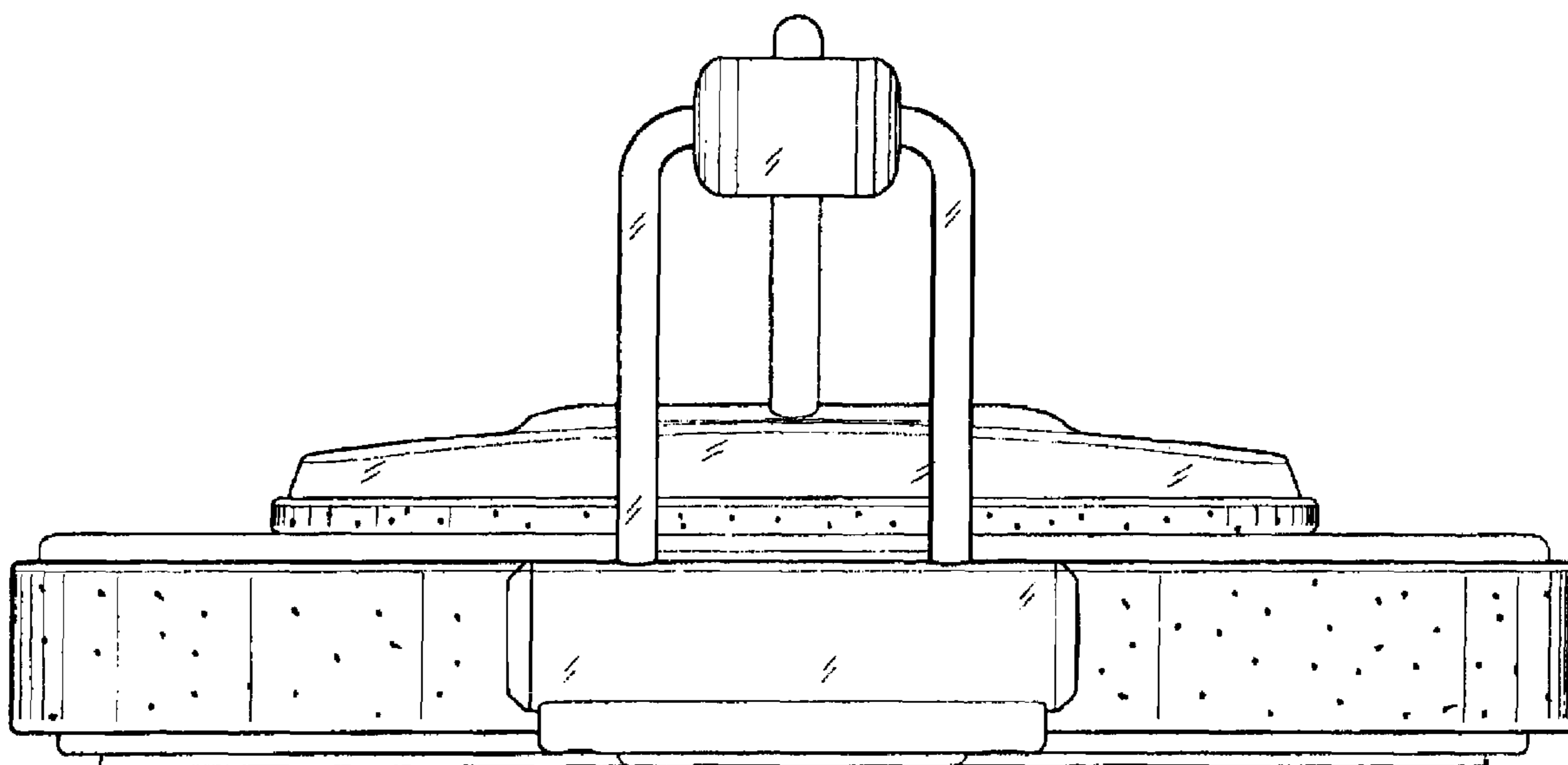


FIG. 10

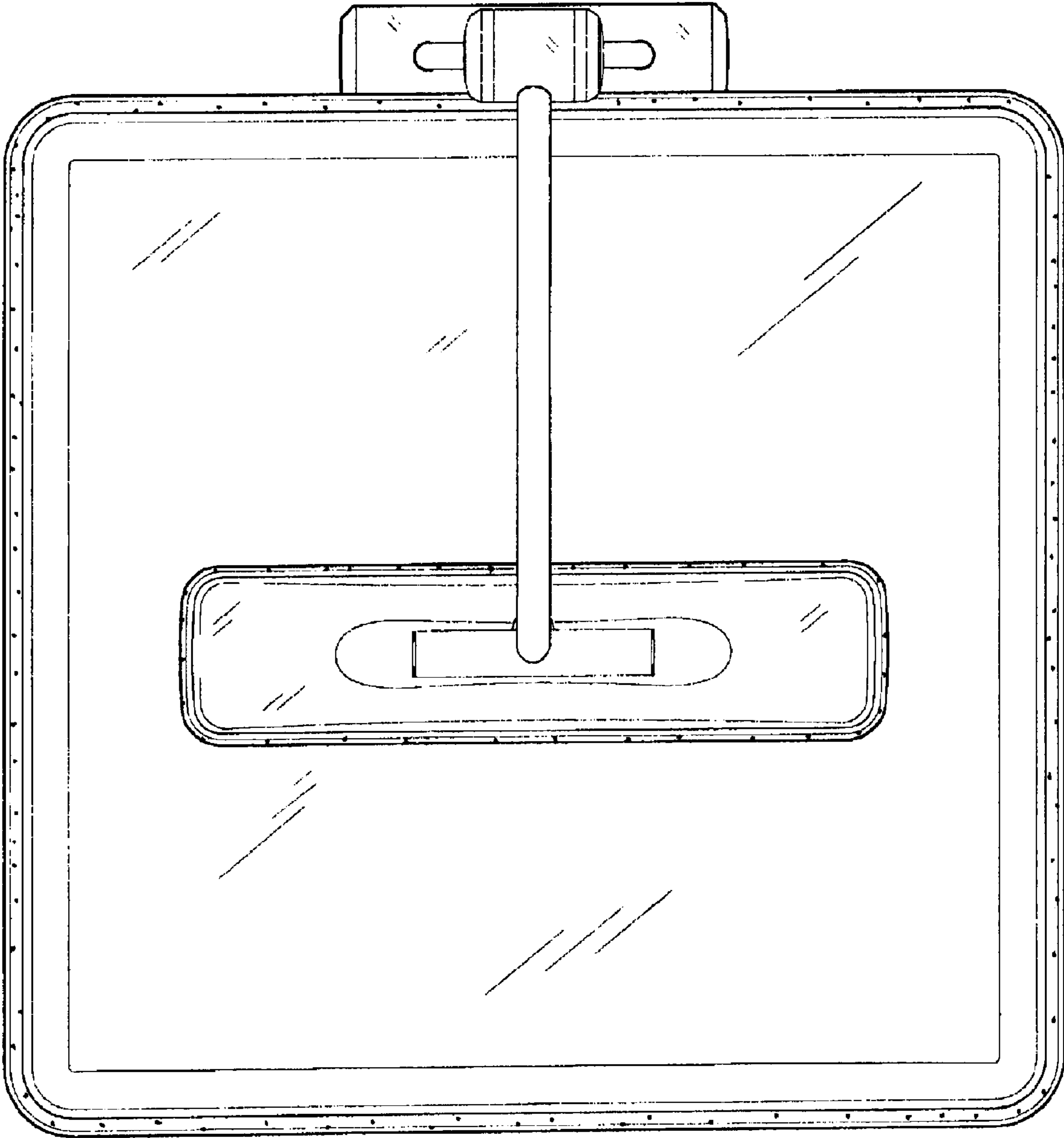


FIG. 11

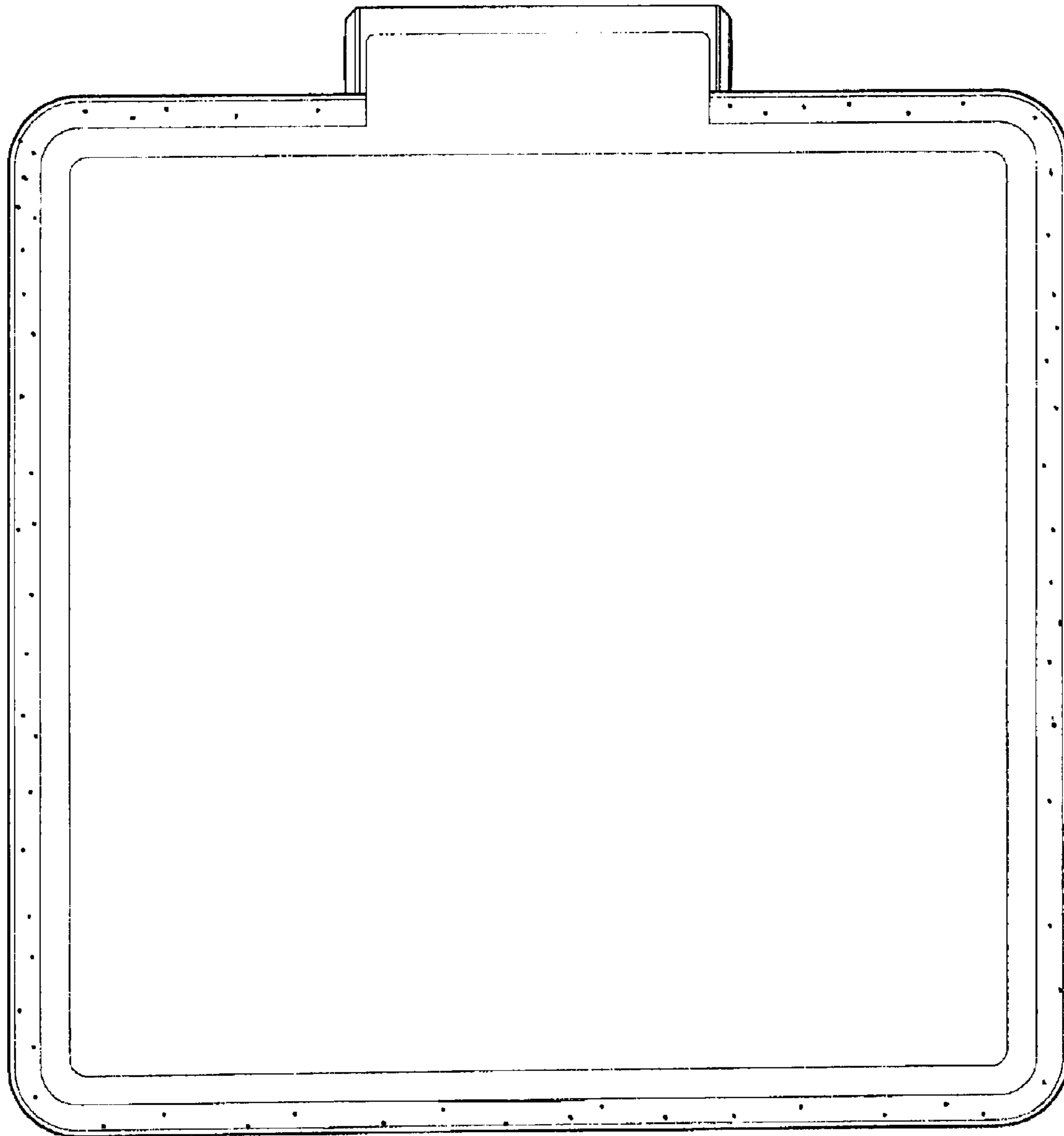


FIG. 12

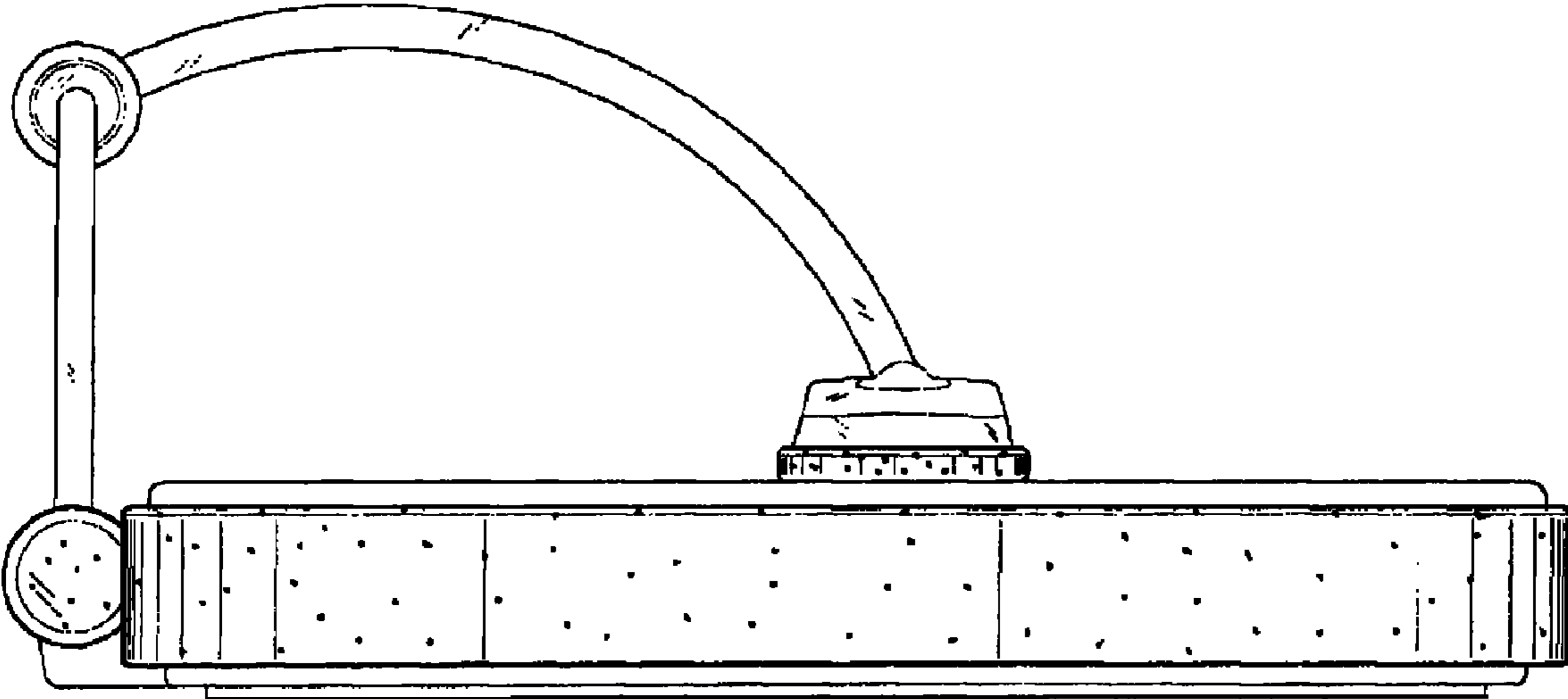


FIG. 13

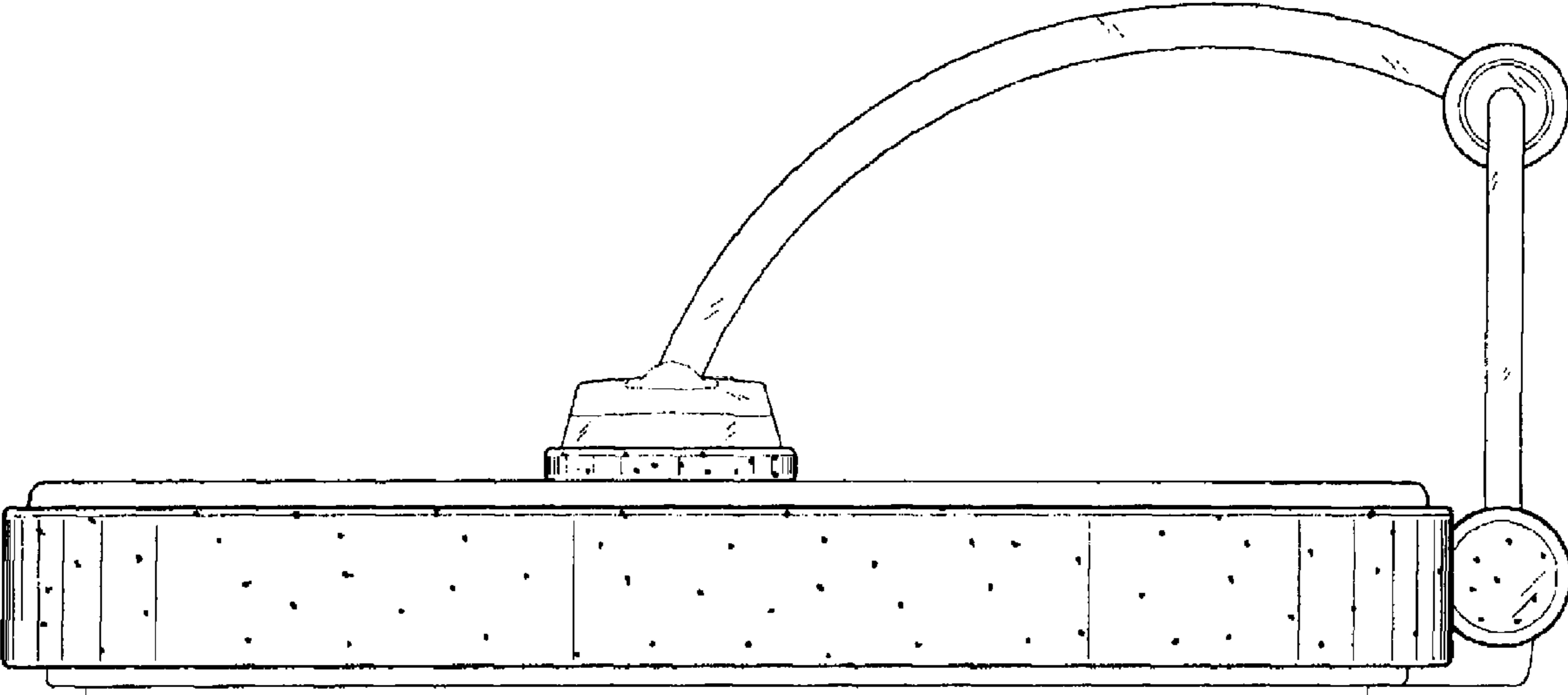


FIG. 14