



US00D622109S

(12) **United States Design Patent**  
**Hull et al.**

(10) **Patent No.:** **US D622,109 S**

(45) **Date of Patent:** **\*\* Aug. 24, 2010**

(54) **CONTAINER**

D465,925 S \* 11/2002 Chapelier ..... D3/303  
D569,096 S \* 5/2008 Swartz et al. .... D3/201

(75) Inventors: **David Hull**, Seattle, WA (US); **Matthew Krus**, Seattle, WA (US); **Jonah S. Griffith**, Seattle, WA (US)

\* cited by examiner

*Primary Examiner*—Terry A Wallace

(73) Assignee: **Chef'n Corporation**, Seattle, WA (US)

(74) *Attorney, Agent, or Firm*—Seed IP Law Group PLLC

(\*\*) Term: **14 Years**

(57) **CLAIM**

(21) Appl. No.: **29/338,710**

The ornamental design for a container, as shown and described.

(22) Filed: **Jun. 17, 2009**

**DESCRIPTION**

(51) **LOC (9) Cl.** ..... **07-01**

(52) **U.S. Cl.** ..... **D7/630; D7/607; D7/709**

(58) **Field of Classification Search** ..... D7/630,  
D7/601, 602, 629, 709, 710, 607; D3/201,  
D3/205, 301, 303, 203.1, 203.6, 203.7, 203.8;  
383/204, 77, 88, 7; 206/213, 541–548  
See application file for complete search history.

FIG. 1 is a front isometric view of a container showing our new design.

FIG. 2 is a rear elevation view thereof.

FIG. 3 is a front elevation view thereof.

FIG. 4 is a right side elevation view thereof.

FIG. 5 is a left side elevation view thereof.

FIG. 6 is a top plan view thereof; and,

FIG. 7 is a bottom plan view thereof.

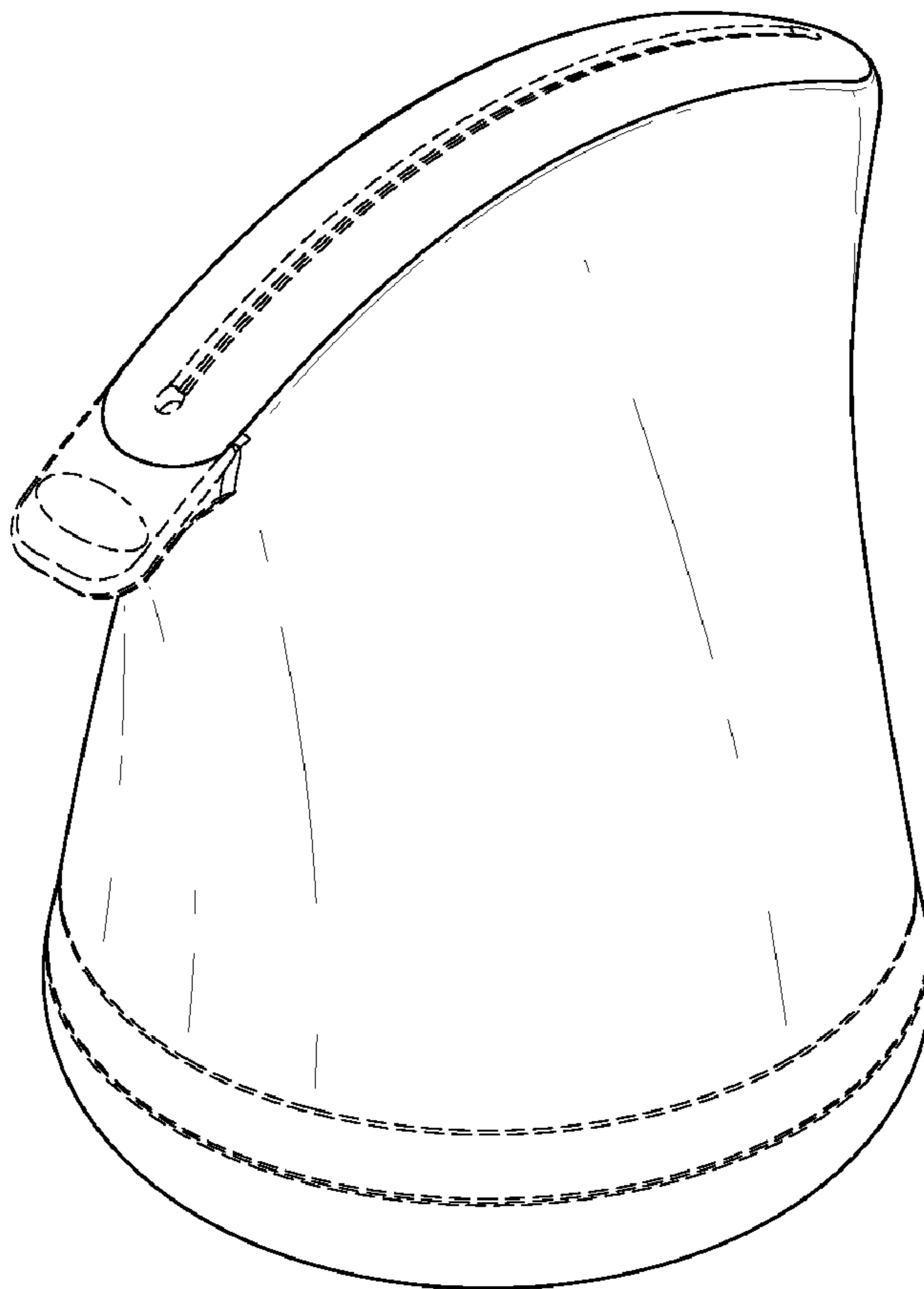
The broken lines in the figures are for illustrative purposes only and form no part of the claimed design.

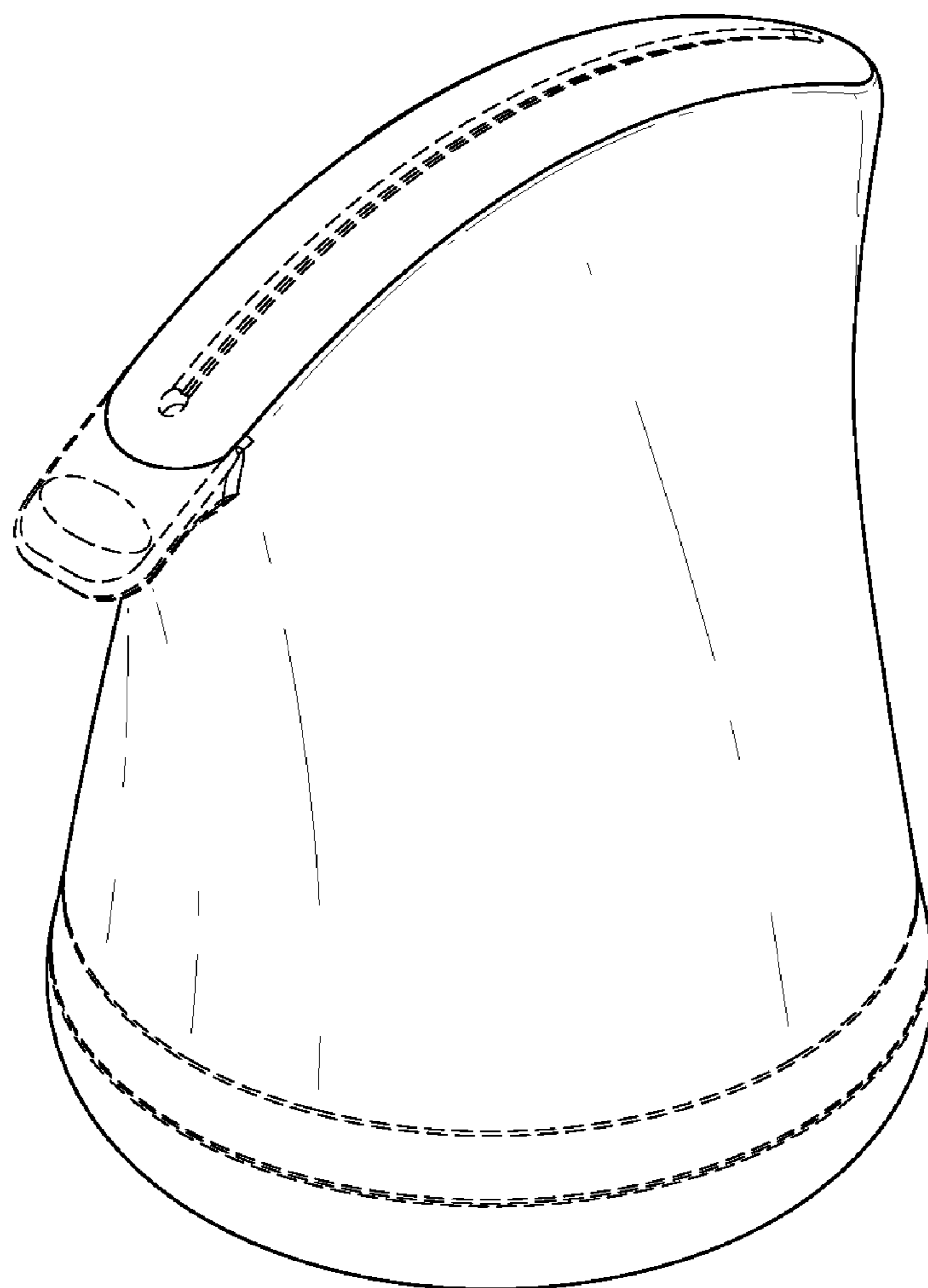
(56) **References Cited**

**U.S. PATENT DOCUMENTS**

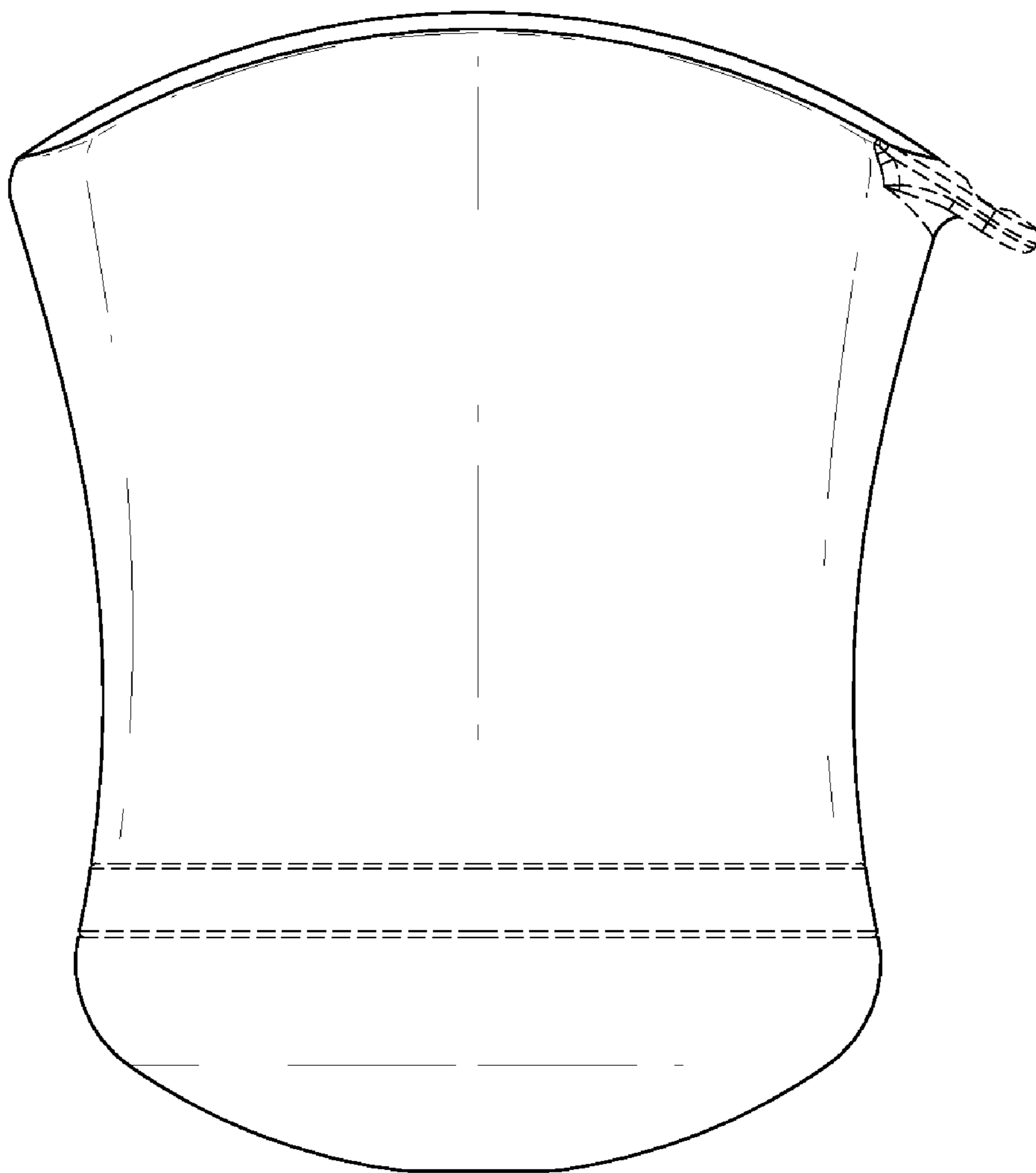
1,889,860 A \* 12/1932 Halpin ..... D3/245  
3,052,399 A \* 9/1962 Brown ..... 383/204  
D399,708 S \* 10/1998 Grissom ..... D7/629  
D404,570 S \* 1/1999 Ault et al. .... D3/303

**1 Claim, 7 Drawing Sheets**

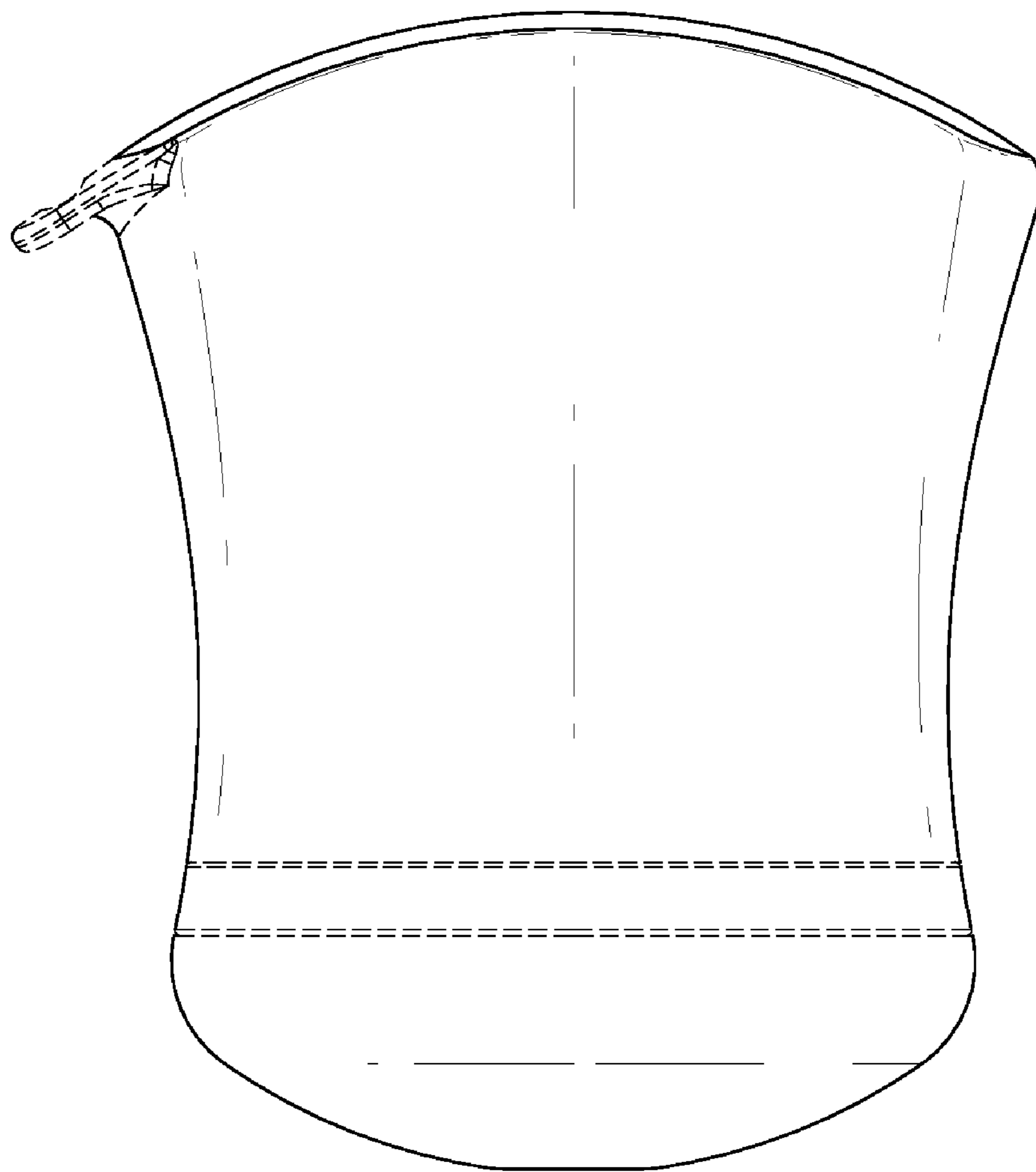




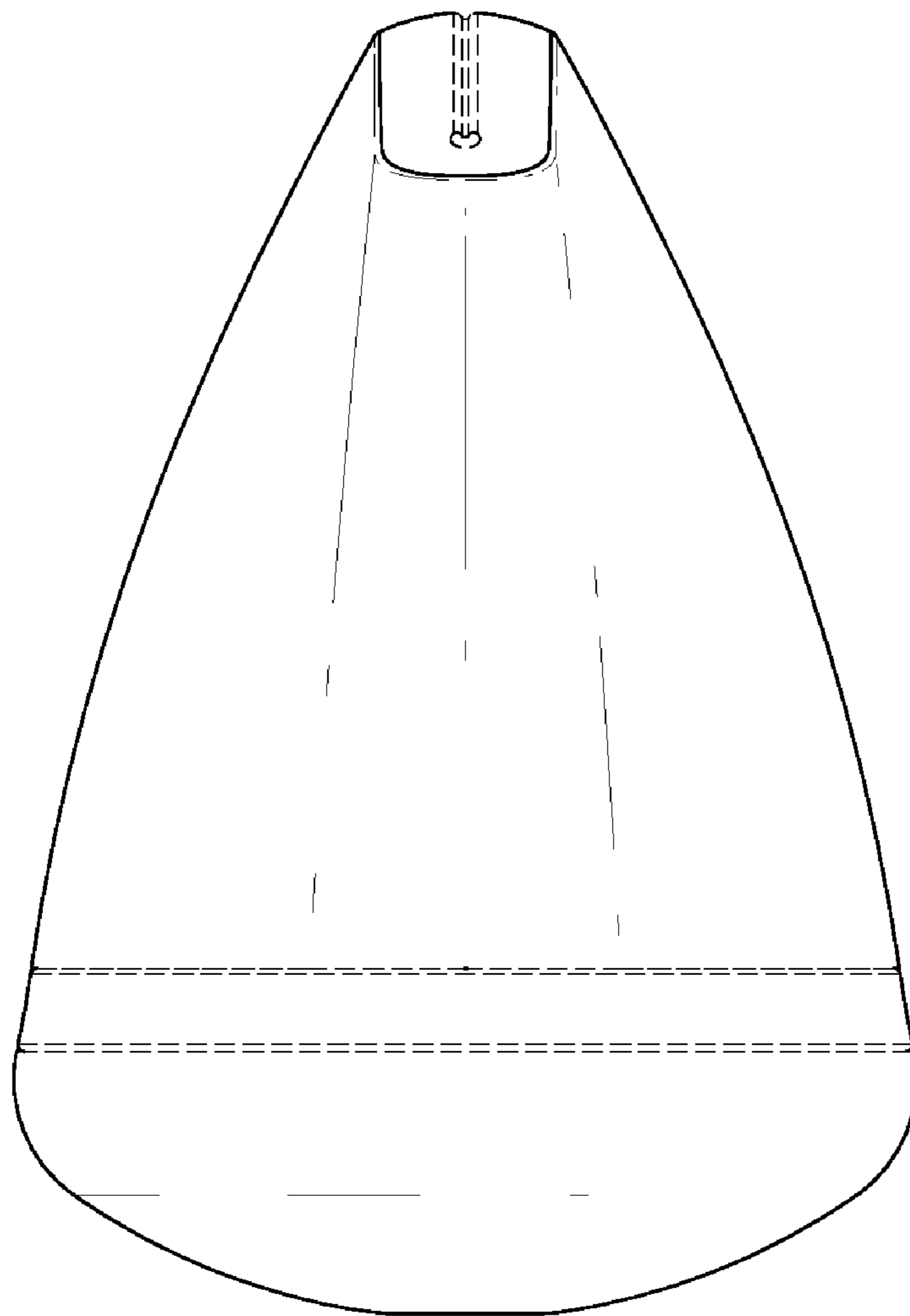
*FIG. 1*



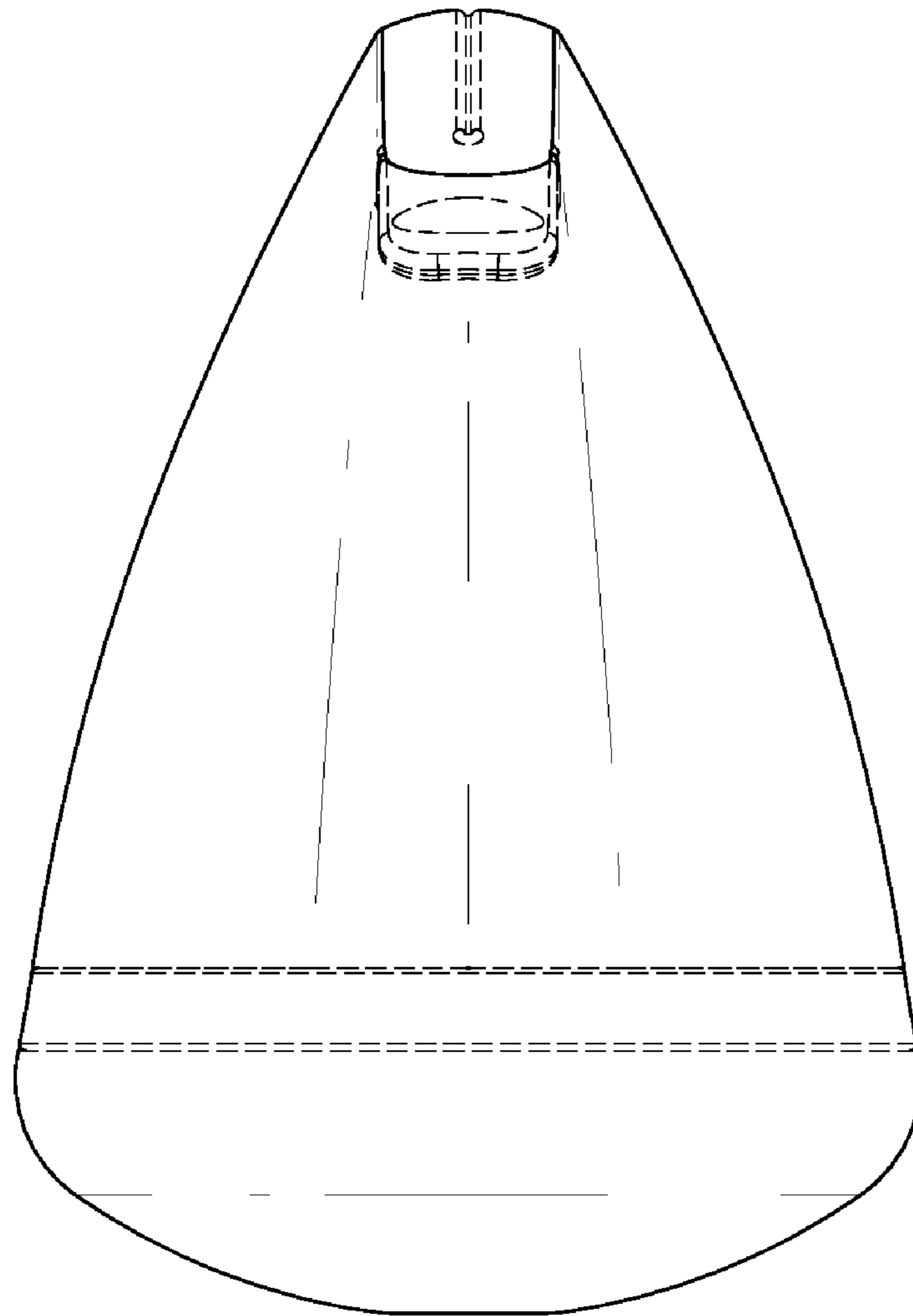
*FIG. 2*



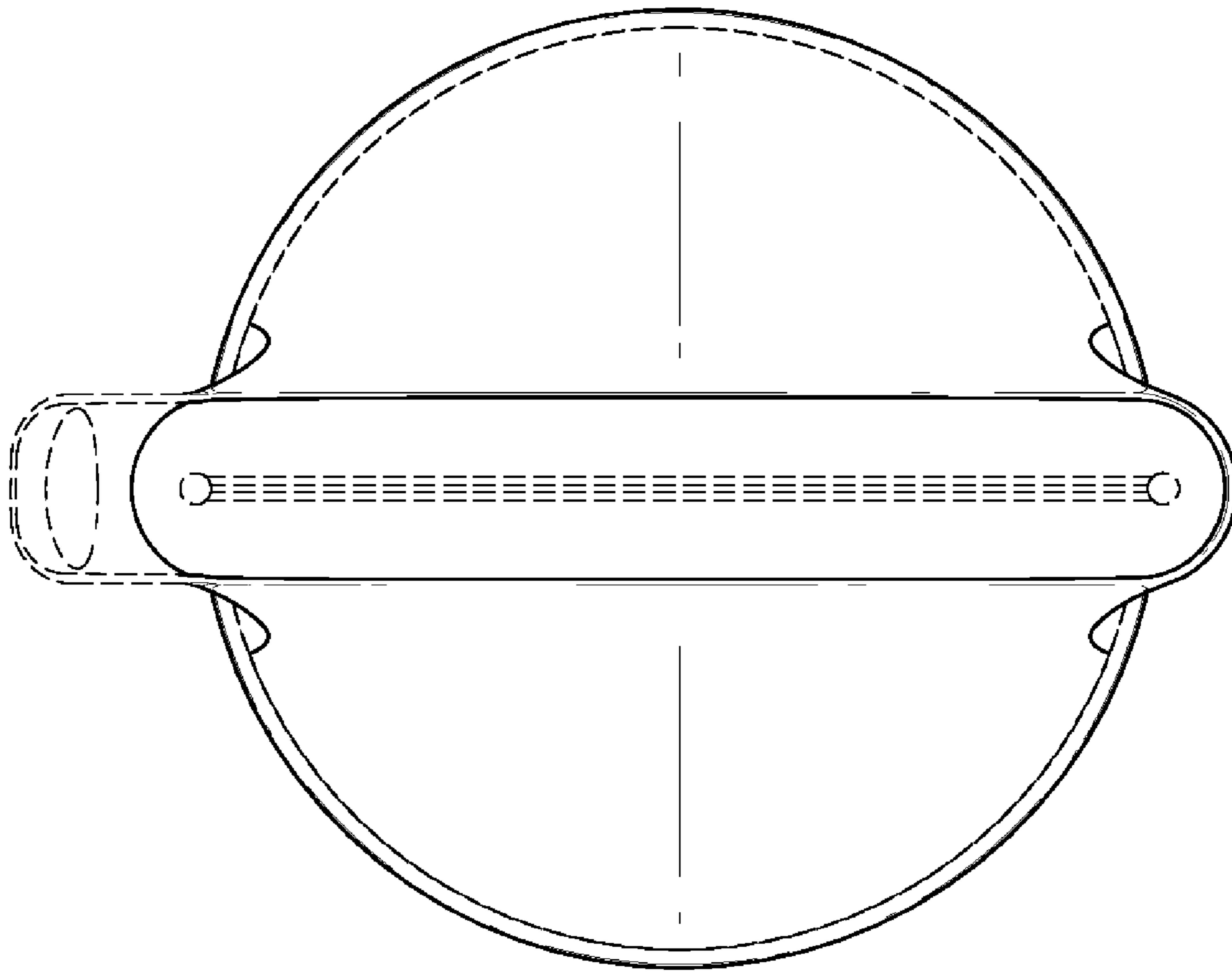
*FIG. 3*



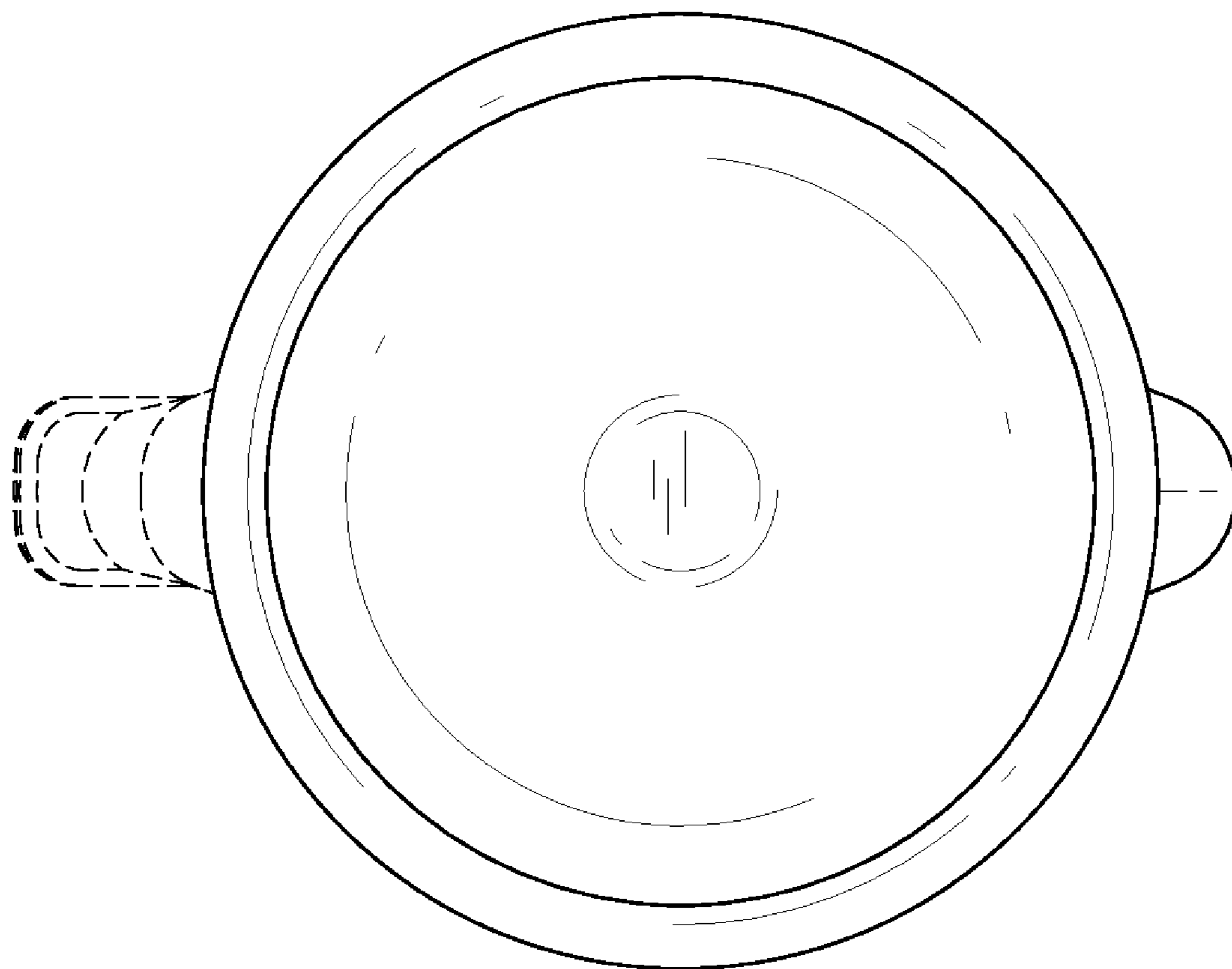
*FIG. 4*



*FIG. 5*



*FIG. 6*



*FIG. 7*