



US00D622102S

(12) **United States Design Patent**
Wahl

(10) **Patent No.:** **US D622,102 S**

(45) **Date of Patent:** **** Aug. 24, 2010**

(54) **BEVERAGE CONTAINER**

(75) Inventor: **Andrew C. F. Wahl**, Seattle, WA (US)

(73) Assignee: **Pacific Market International, LLC**,
Seattle, WA (US)

(**) Term: **14 Years**

(21) Appl. No.: **29/336,588**

(22) Filed: **May 6, 2009**

(51) **LOC (9) Cl.** **07-01**

(52) **U.S. Cl.** **D7/510; D7/511; D7/533**

(58) **Field of Classification Search** D7/509,
D7/533, 536, 510, 511; 215/378, 398; 220/737
See application file for complete search history.

(56) **References Cited**

U.S. PATENT DOCUMENTS

D330,484 S	*	10/1992	Ross	D7/511
D364,071 S	*	11/1995	Lynd	D7/510
D409,441 S	*	5/1999	Stephenson	D7/510
D480,919 S	*	10/2003	Bin	D7/533
D544,300 S	*	6/2007	Tien	D7/510
D562,072 S	*	2/2008	Wahl	D7/510
D565,901 S	*	4/2008	Edelstein et al.	D7/510
D595,089 S	*	6/2009	Wahl	D7/510
D599,621 S	*	9/2009	Poindexter et al.	D7/536
D600,073 S	*	9/2009	Carreno	D7/523

OTHER PUBLICATIONS

U.S. Appl. No. 29/336,589, filed May 6, 2009, Wahl.

* cited by examiner

Primary Examiner—Marianne Pandozzi
(74) *Attorney, Agent, or Firm*—Davis Wright Tremain LLP;
George C. Rondeau, Jr.

(57) **CLAIM**

The ornamental design for a beverage container, as shown and described.

DESCRIPTION

FIG. 1 is a top rear perspective view of a beverage container showing my new design.

FIG. 2 is a front elevational view thereof.

FIG. 3 is a rear elevational view thereof.

FIG. 4 is a left side elevational view thereof

FIG. 5 is a right side elevational view thereof.

FIG. 6 is a top plan view thereof.

FIG. 7 is a bottom plan view thereof.

FIG. 8 is a top rear perspective view of a second embodiment thereof.

FIG. 9 is a front elevational view thereof.

FIG. 10 is a rear elevational view thereof.

FIG. 11 is a left side elevational view thereof.

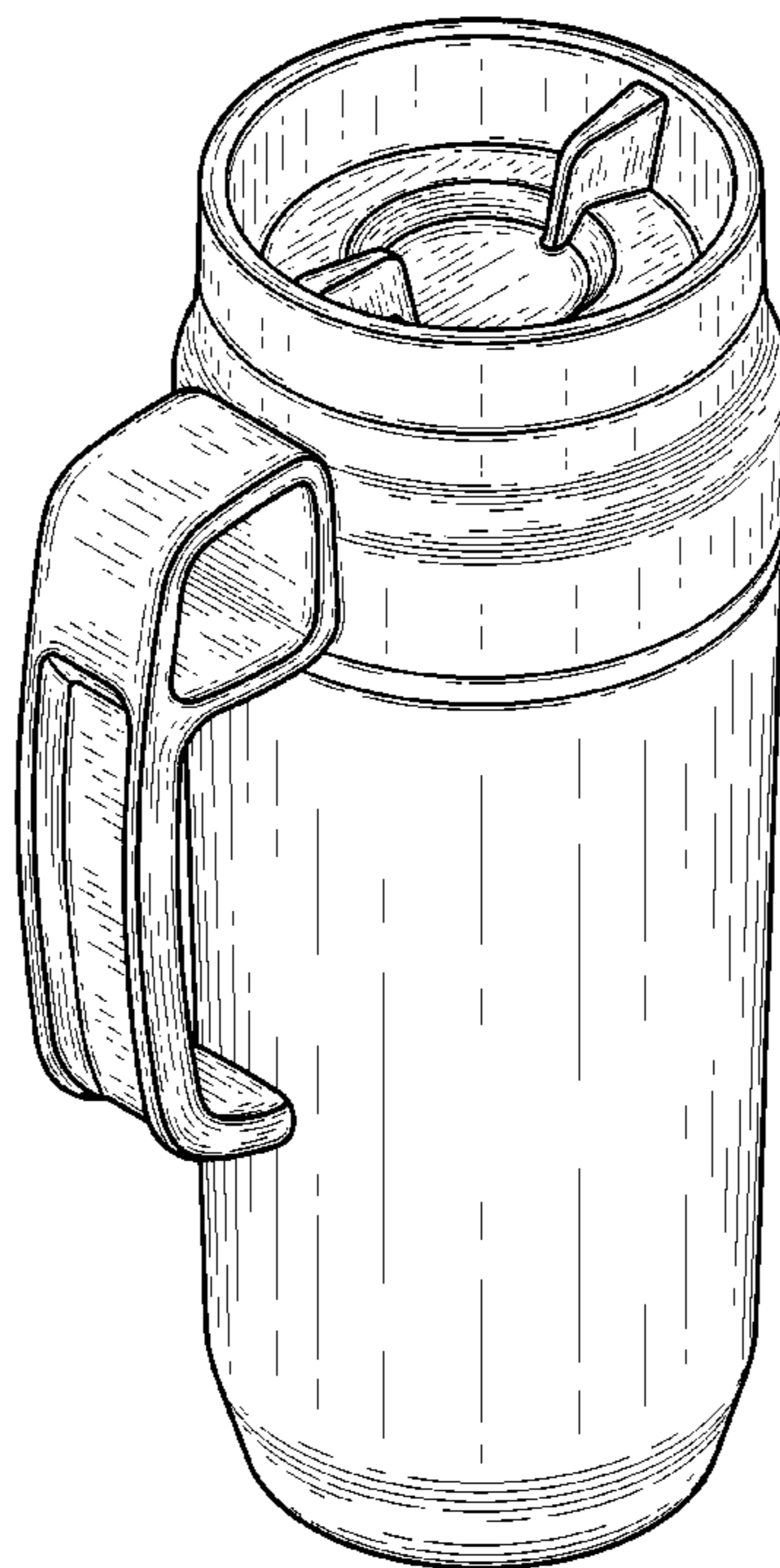
FIG. 12 is a right side elevational view thereof.

FIG. 13 is a top plan view thereof; and,

FIG. 14 is a bottom plan view thereof.

The broken lines represent portions of the beverage container that form no part of the claim.

1 Claim, 12 Drawing Sheets



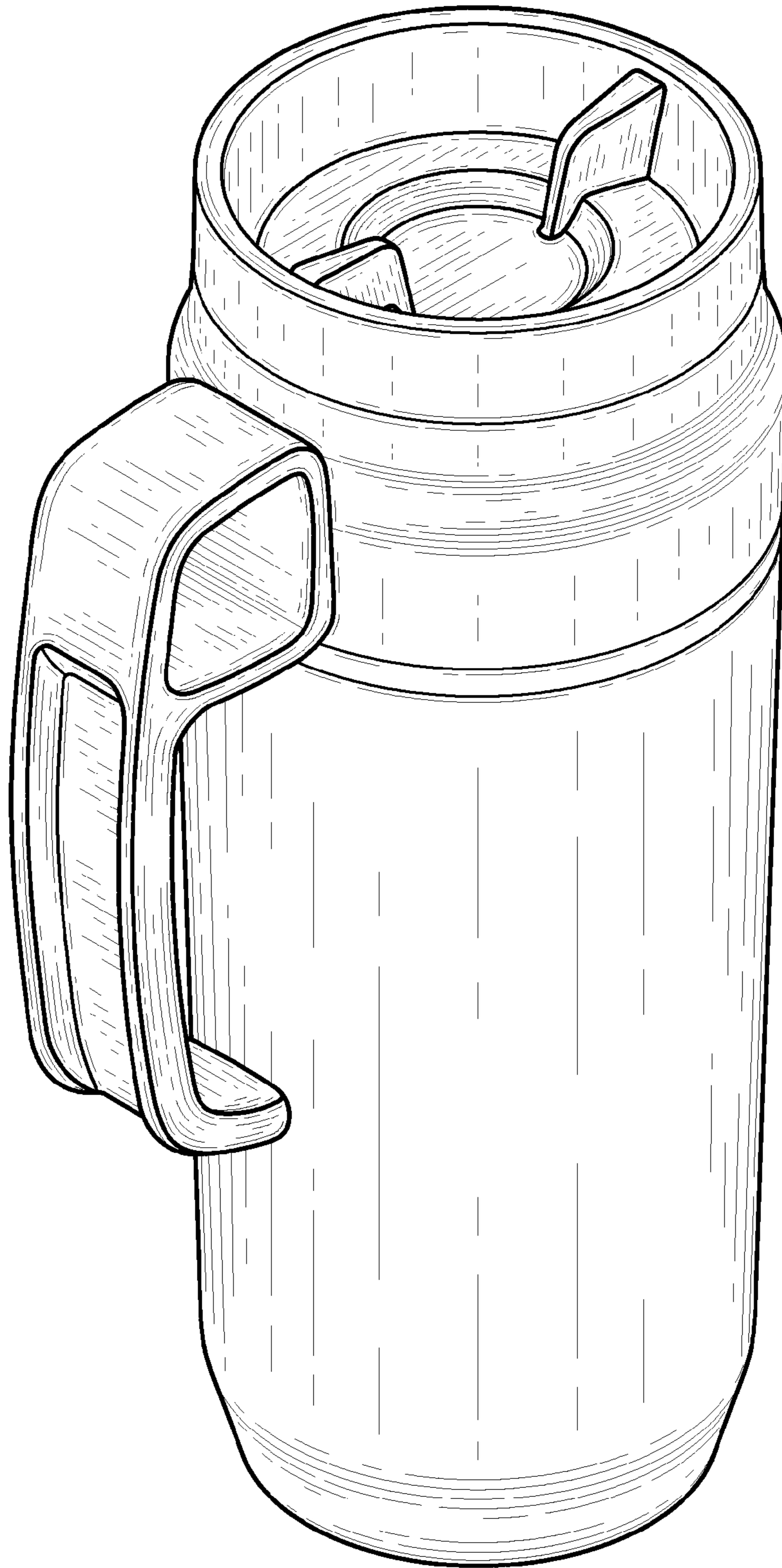


Fig. 1

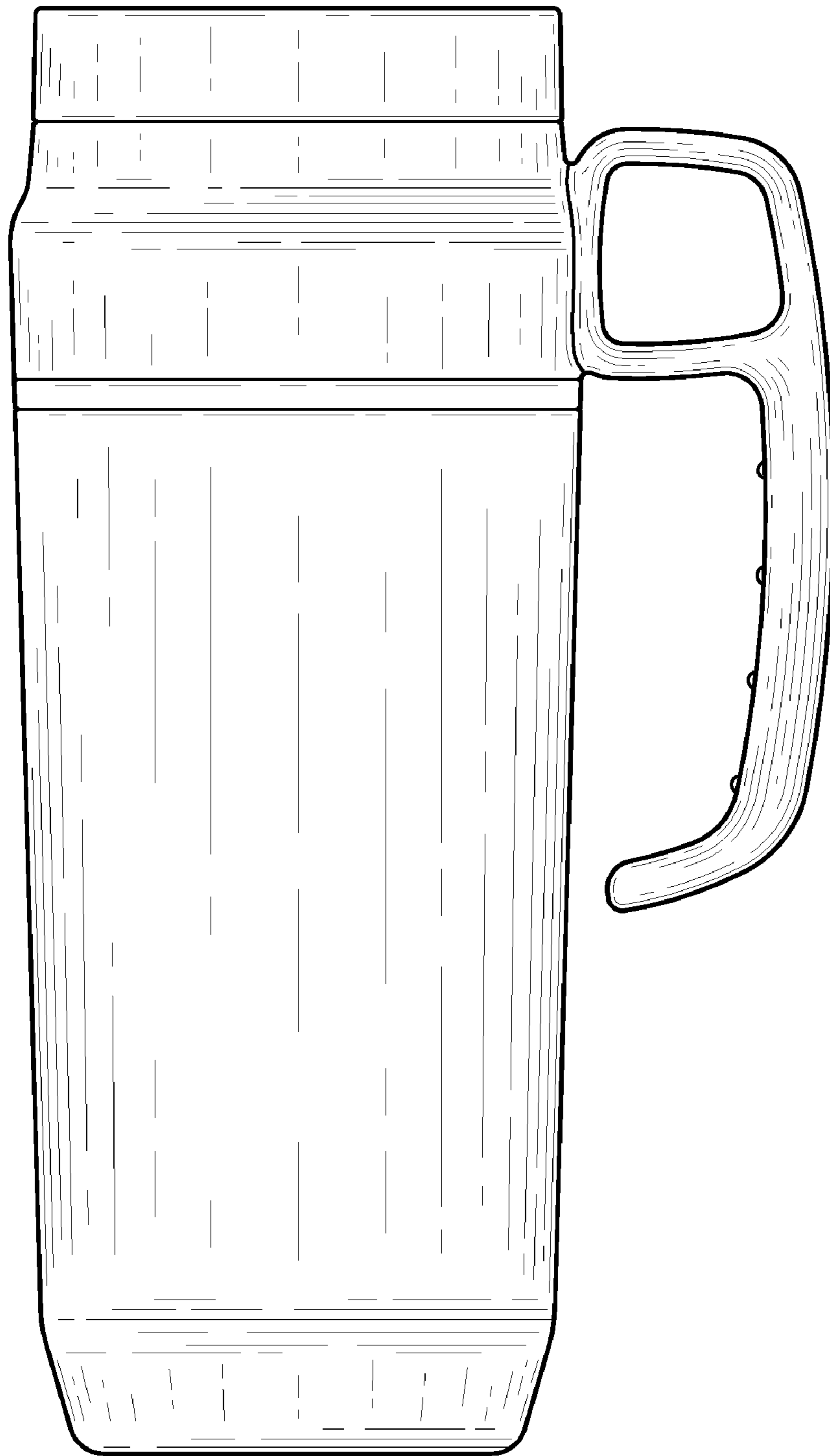


Fig. 2

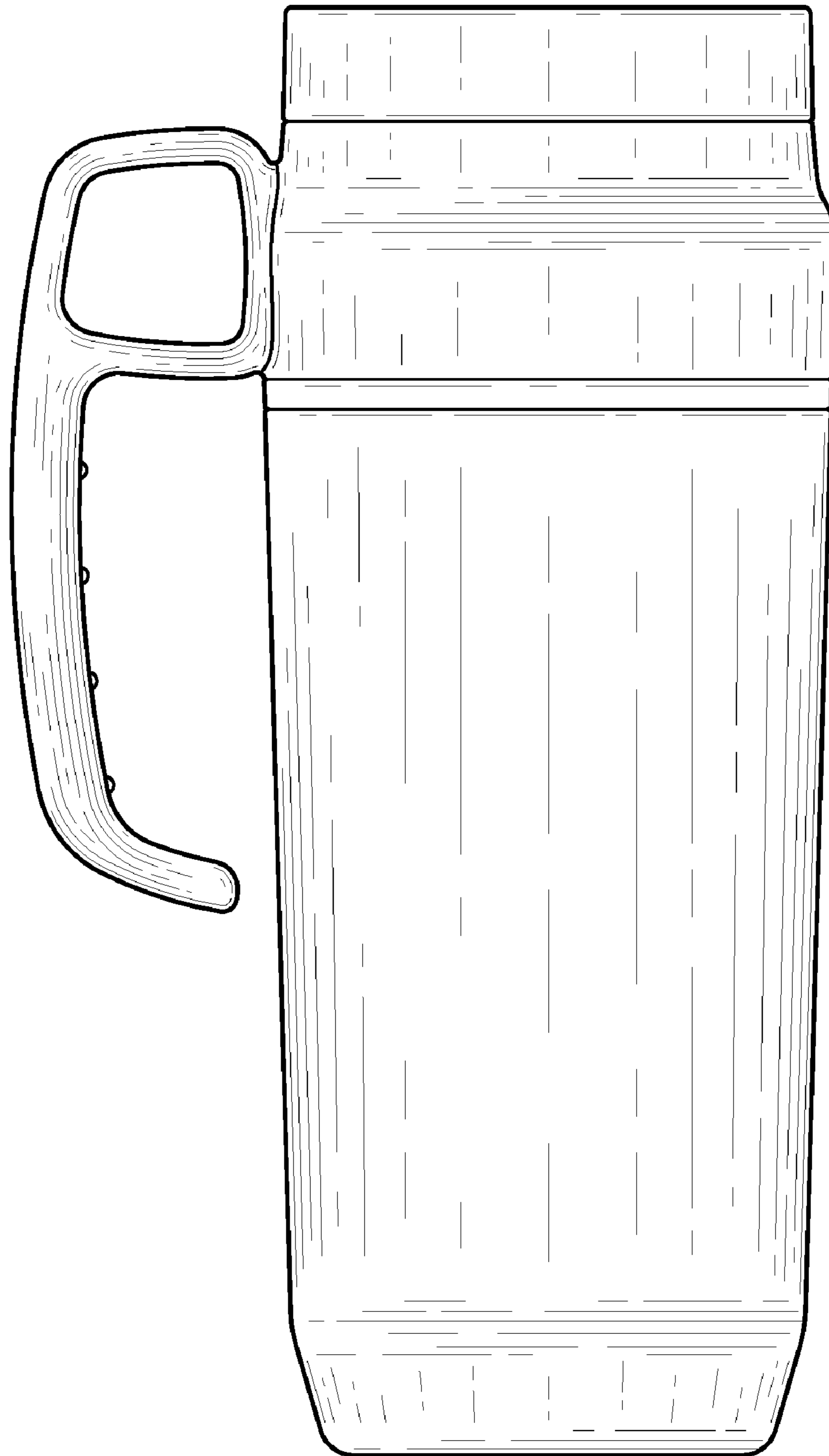


Fig. 3

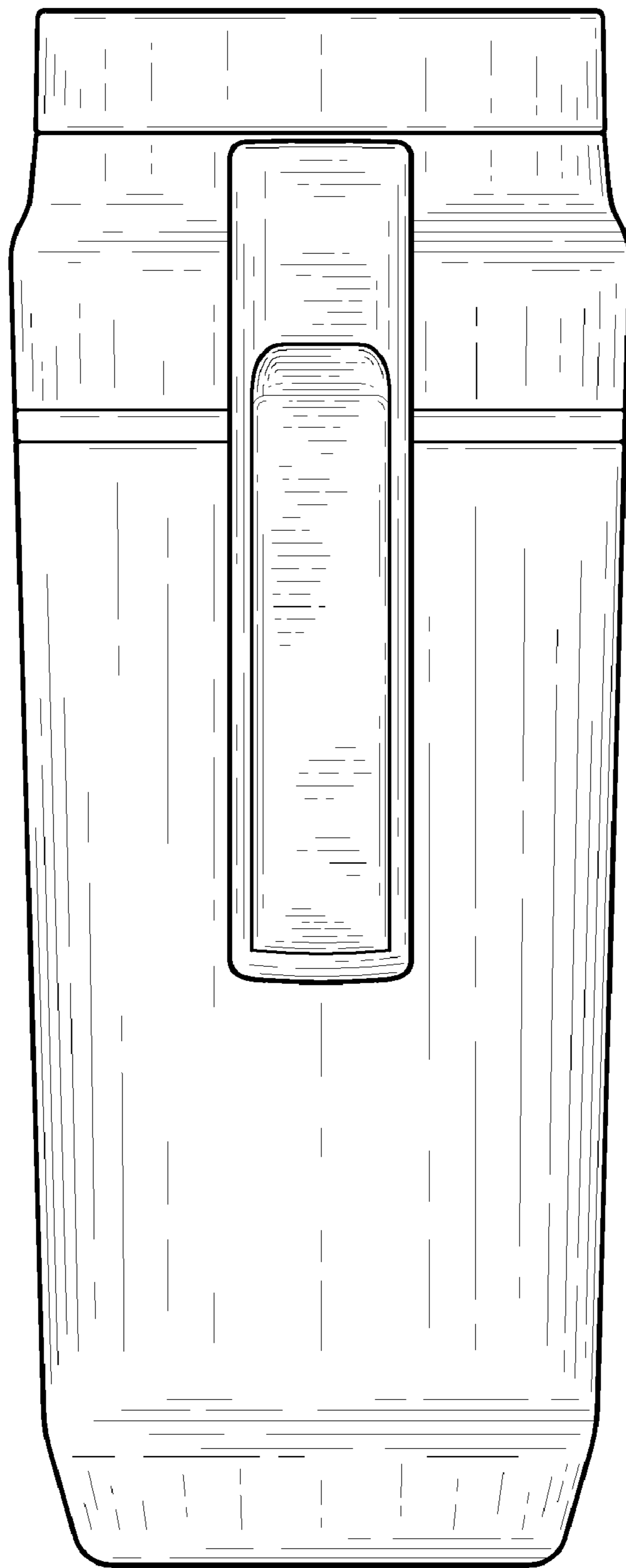


Fig. 4

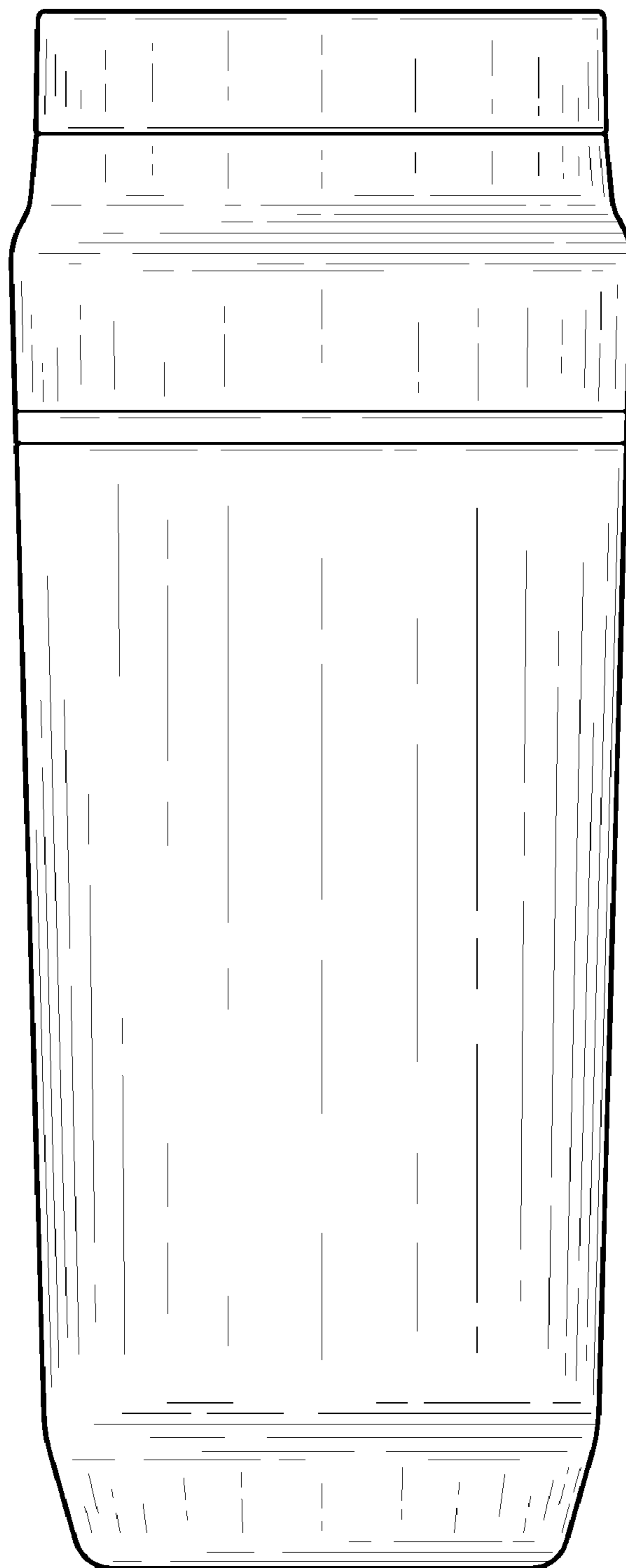


Fig. 5

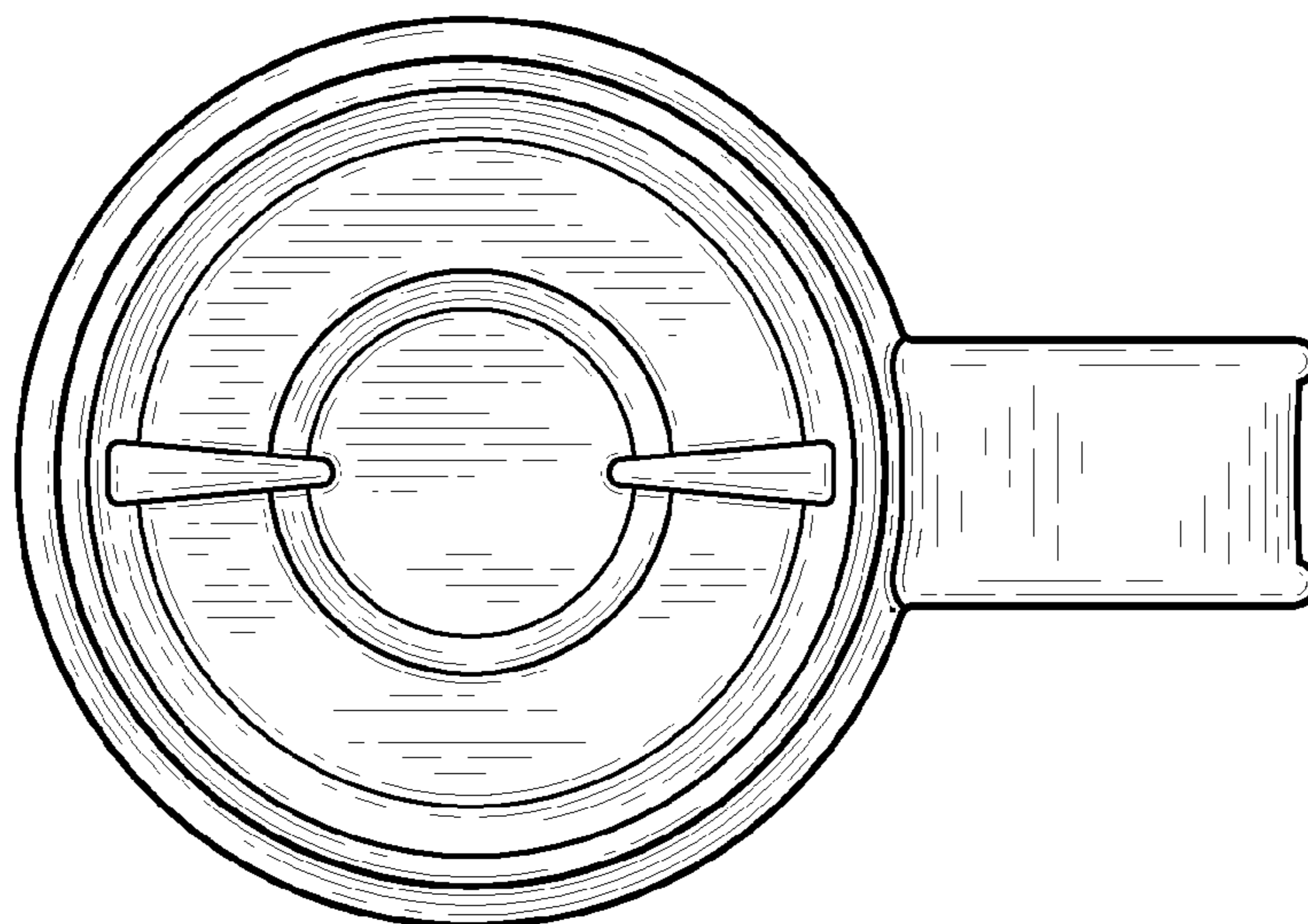


Fig. 6

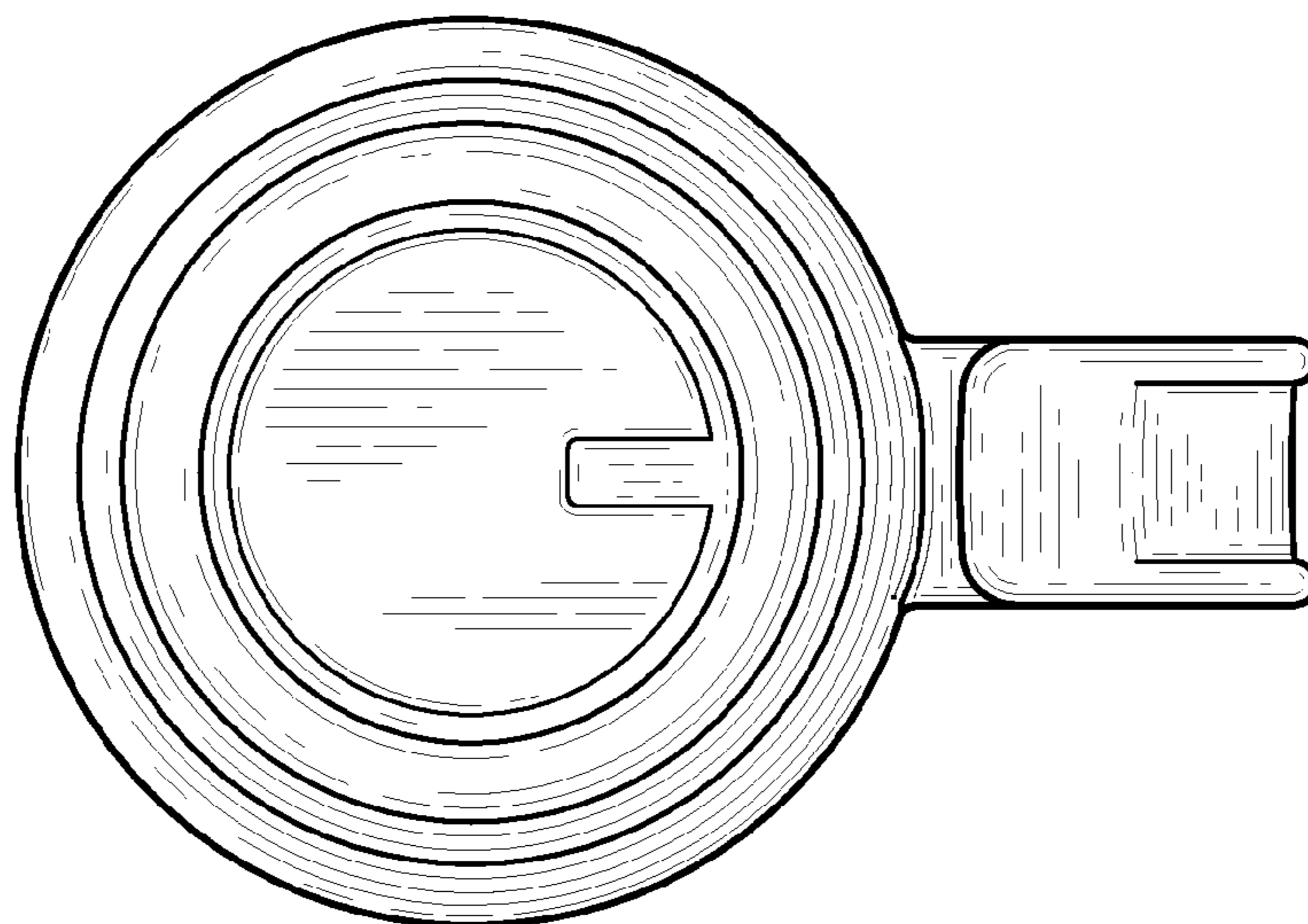


Fig. 7

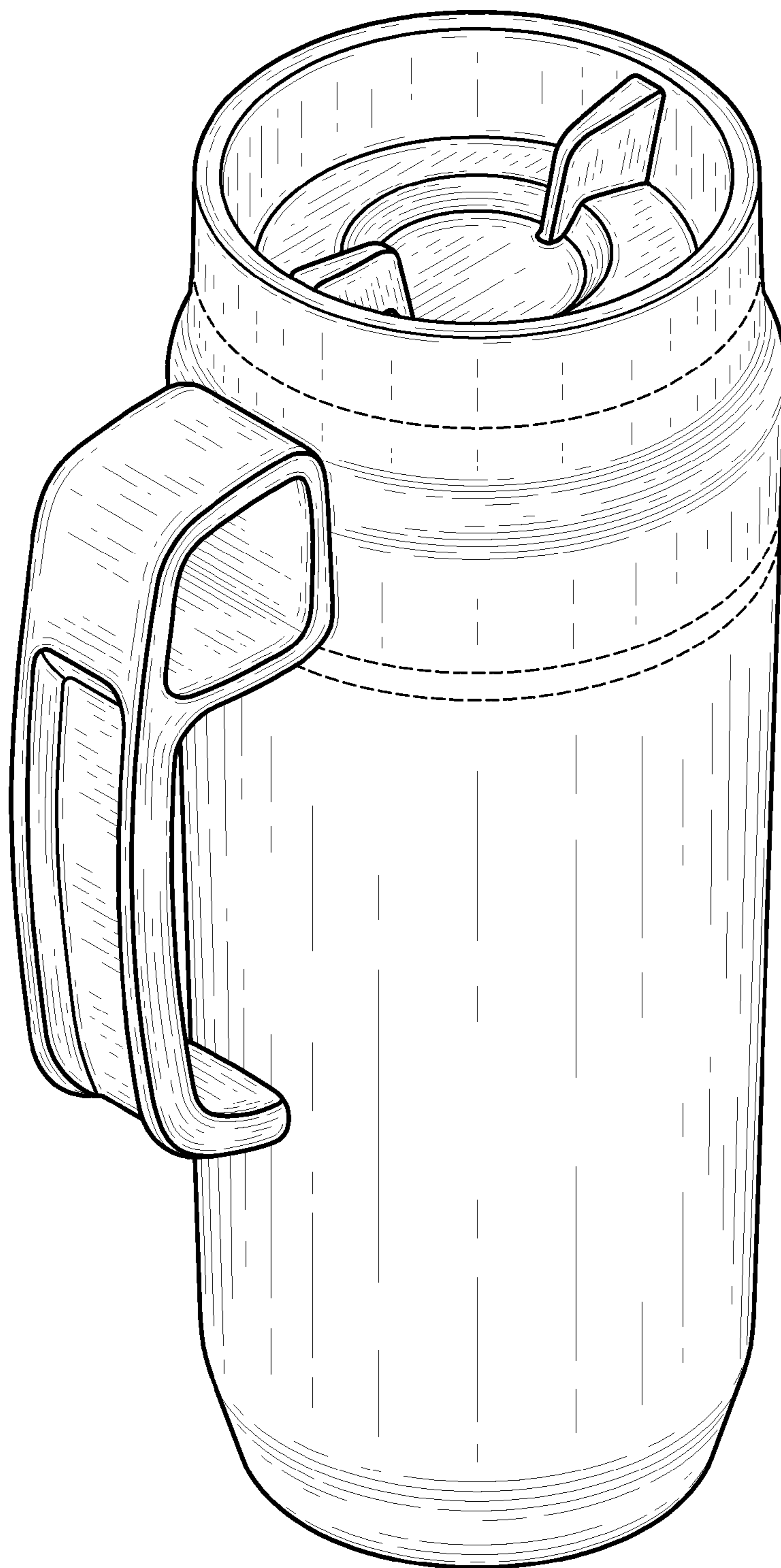


Fig. 8

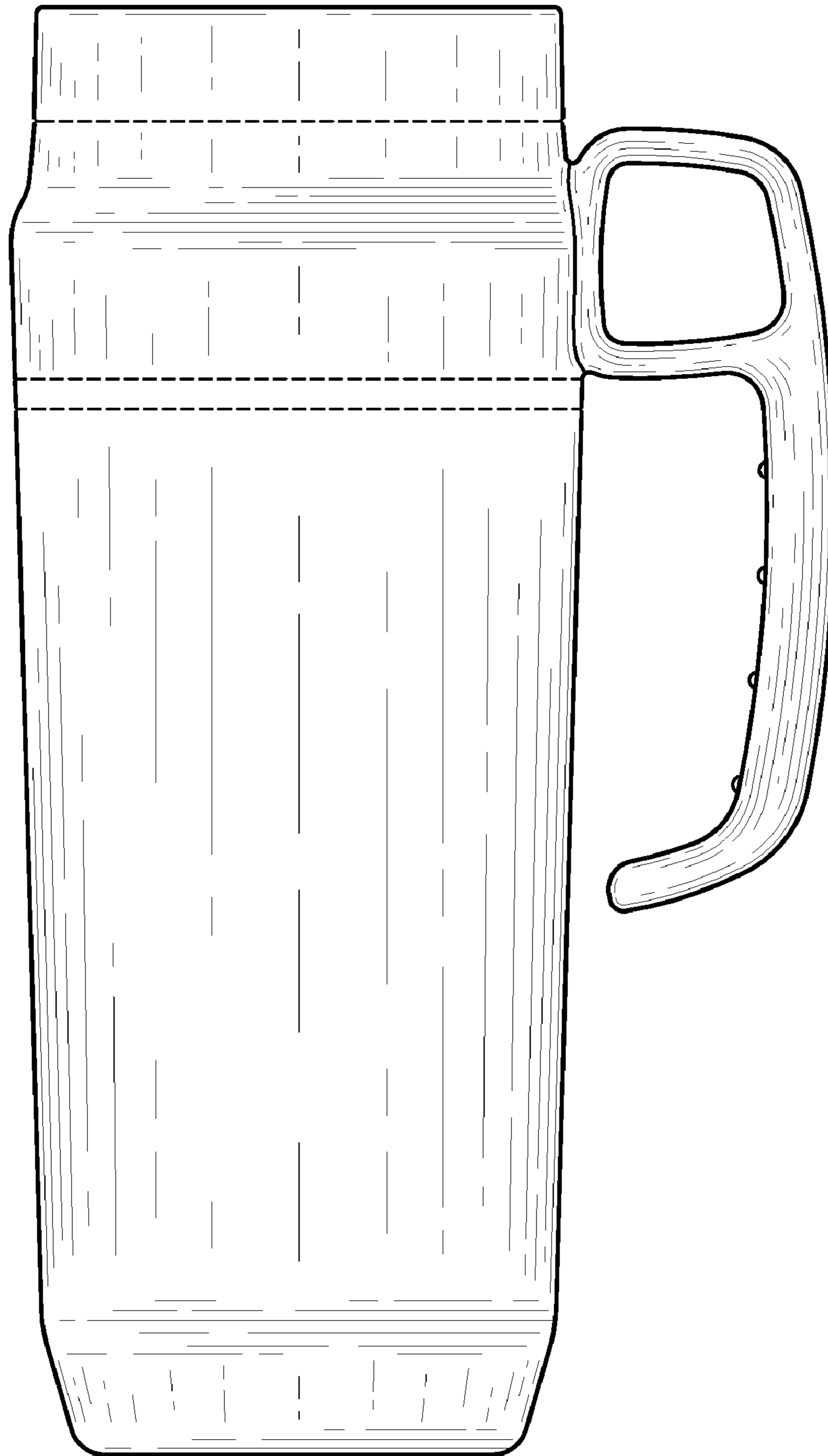


Fig. 9

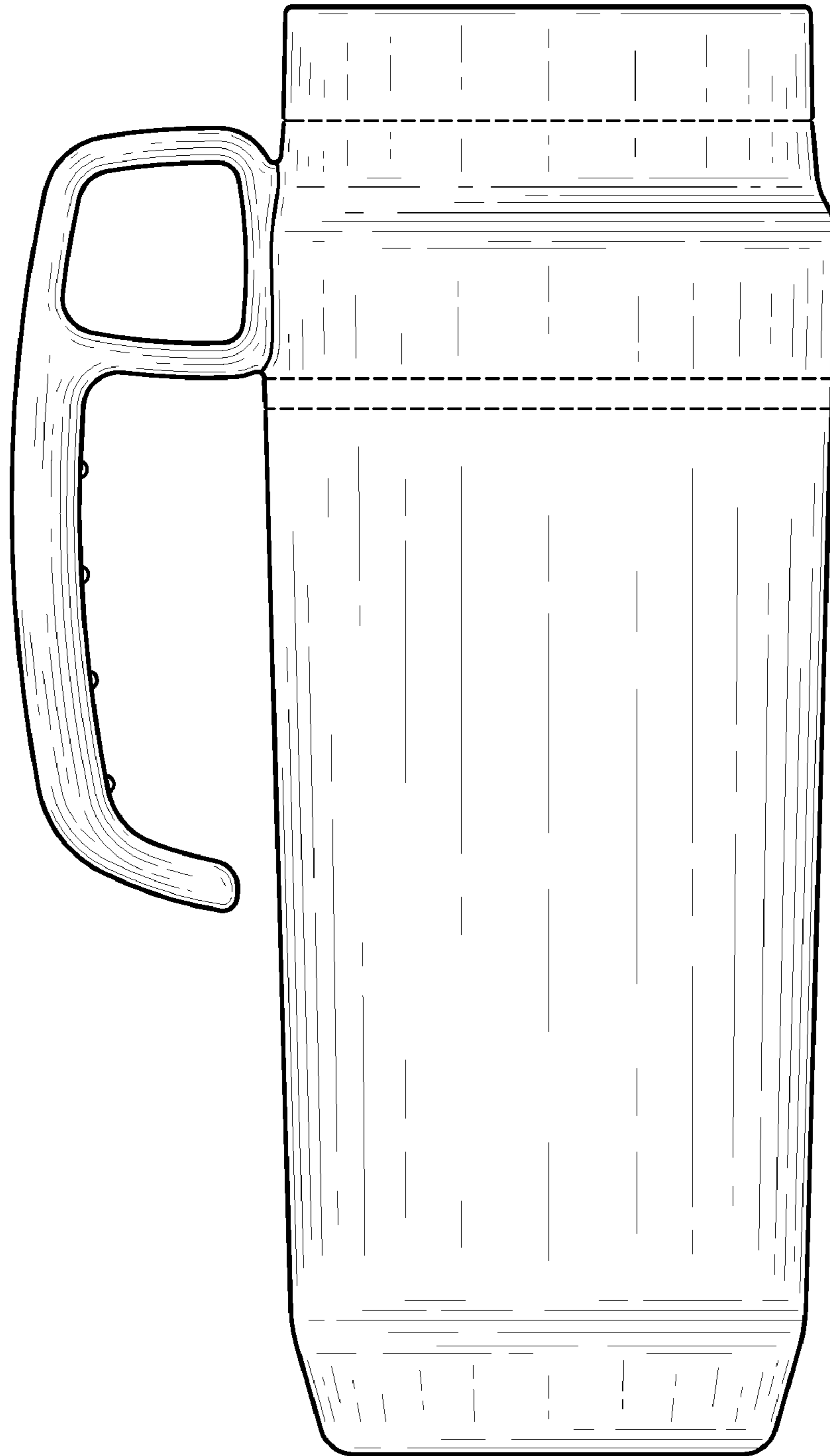


Fig. 10

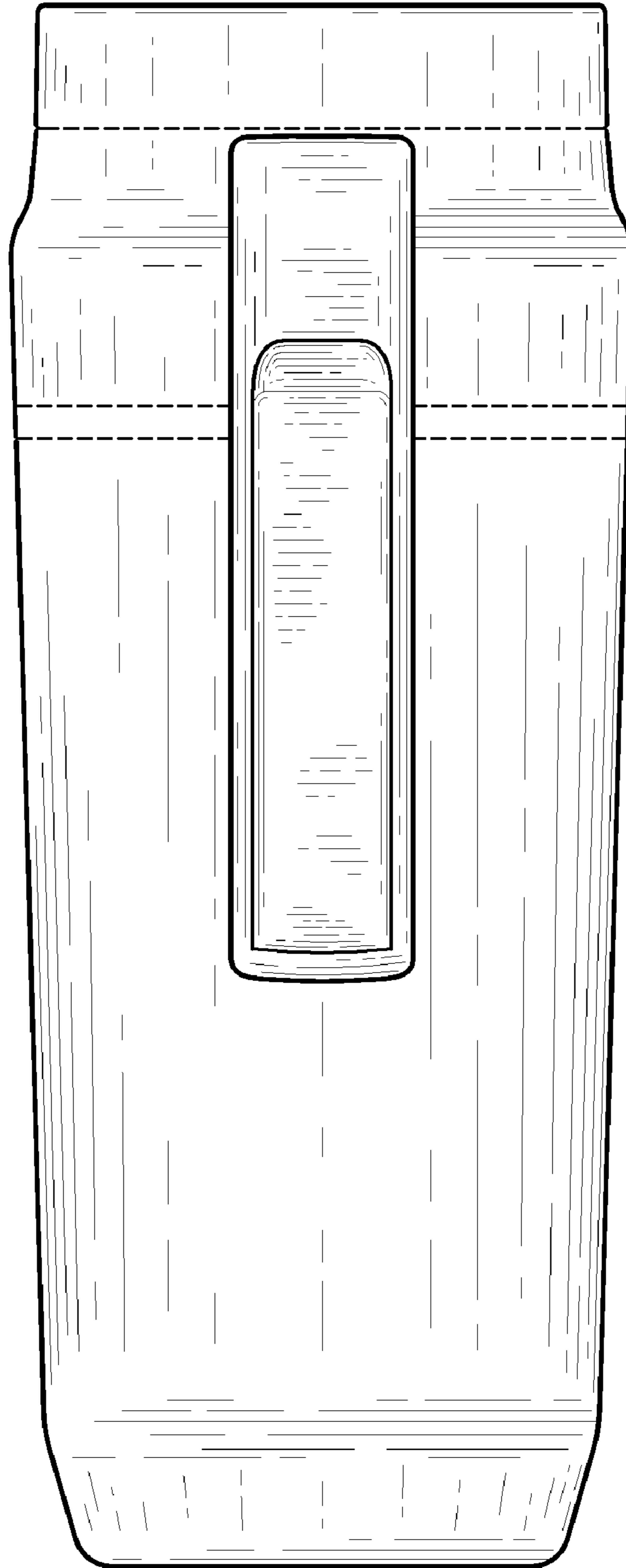


Fig. 11

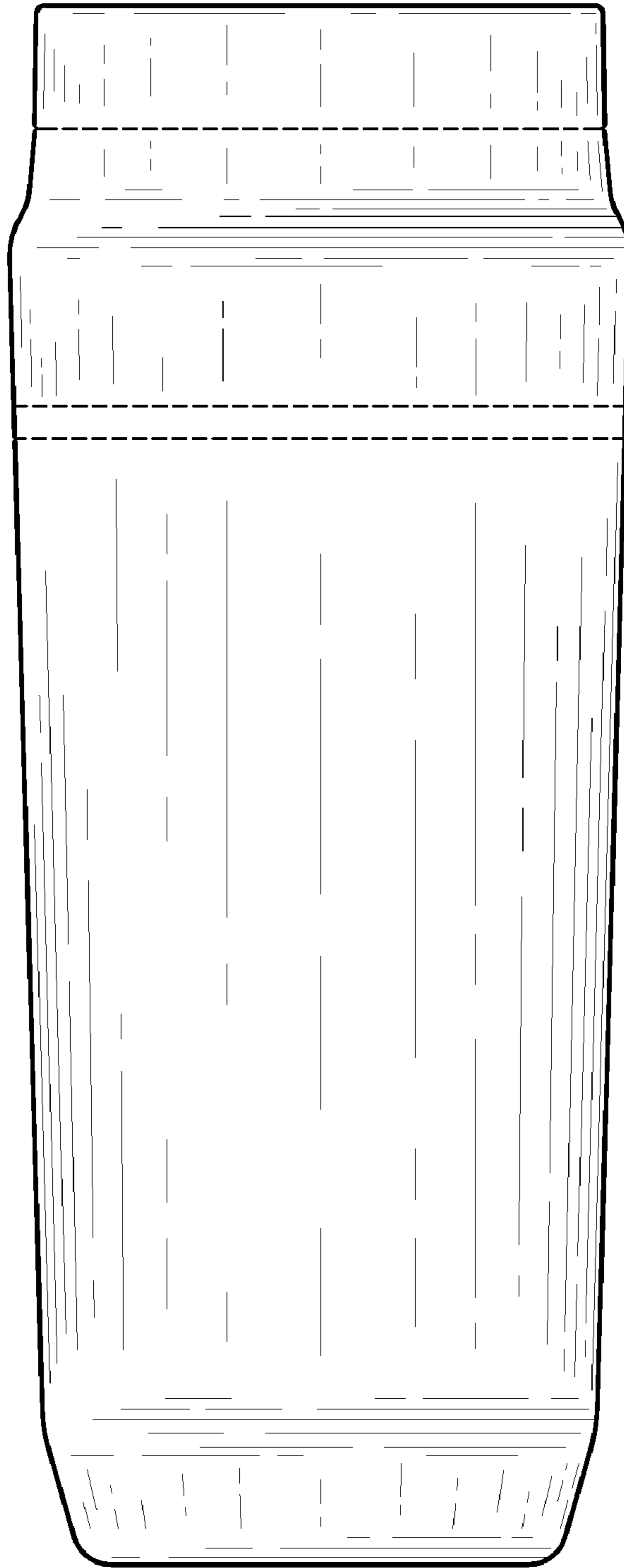


Fig. 12

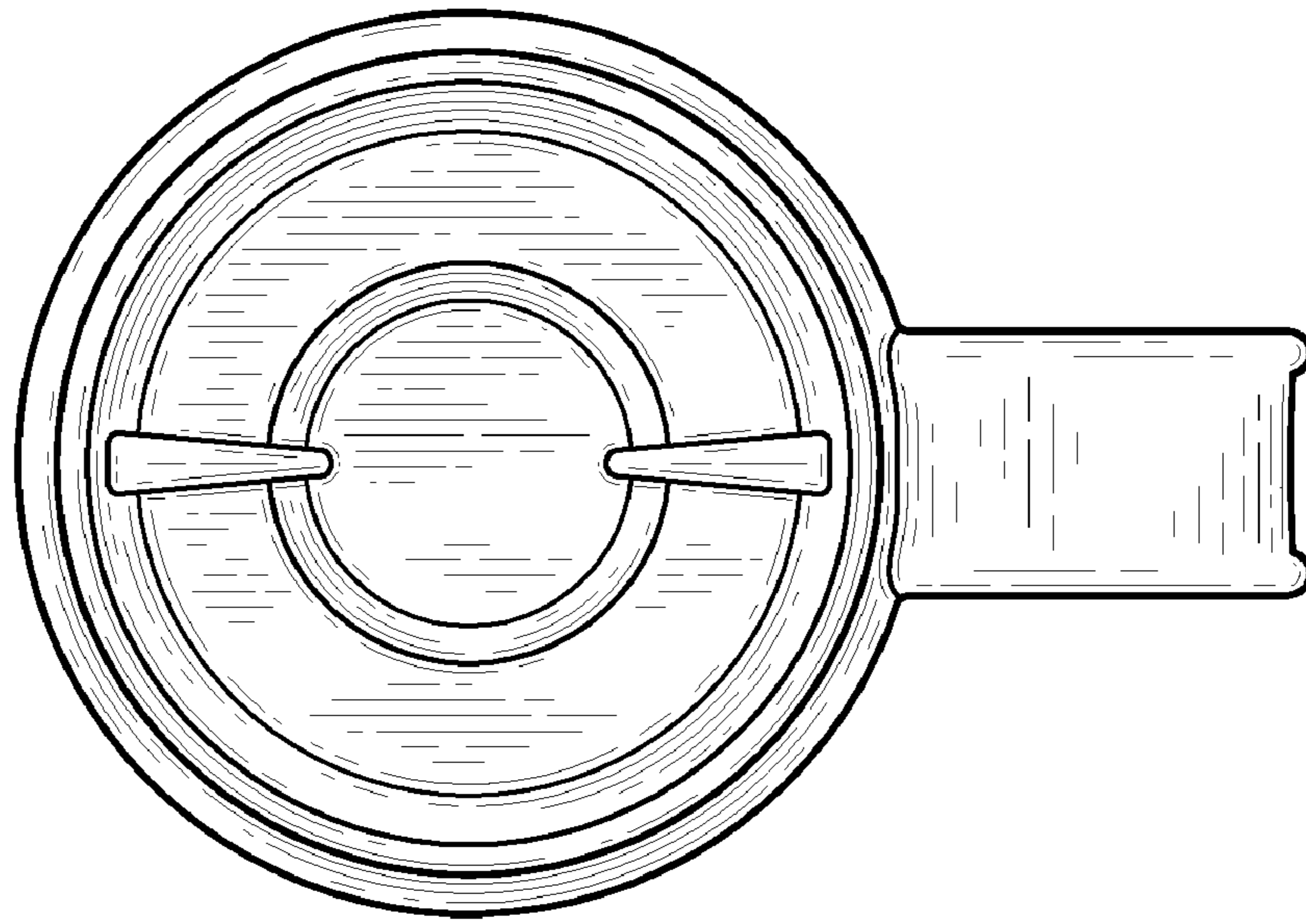


Fig. 13

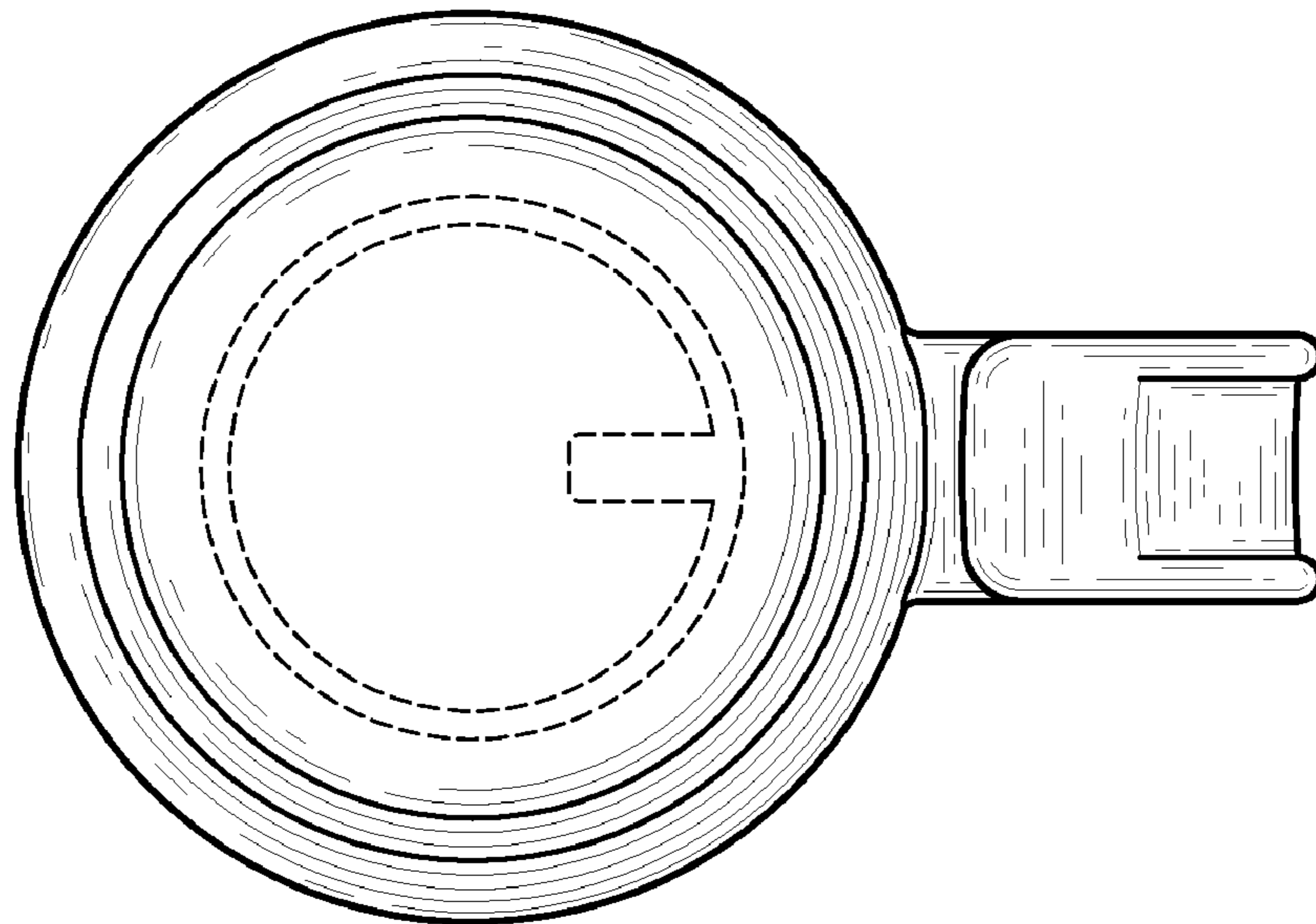


Fig. 14