



US00D622101S

(12) **United States Design Patent**
Tune

(10) **Patent No.:** **US D622,101 S**

(45) **Date of Patent:** **** Aug. 24, 2010**

(54) **DOSAGE CUP**

(75) Inventor: **Michael P. Tune**, Arlington, TN (US)

(73) Assignee: **Schering-Plough Healthcare Products, Inc.**, Memphis, TN (US)

(**) Term: **14 Years**

(21) Appl. No.: **29/344,171**

(22) Filed: **Sep. 24, 2009**

(51) **LOC (9) Cl.** **07-01**

(52) **U.S. Cl.** **D7/509**

(58) **Field of Classification Search** D7/507,
D7/523, 509; D24/224, 121; 229/400; 206/528,
206/515, 508; 215/382; D9/444, 445
See application file for complete search history.

(56) **References Cited**

U.S. PATENT DOCUMENTS

D15,154 S *	7/1884	Gordon et al.	D7/524
D222,375 S *	10/1971	Bencik	D7/523
D228,245 S *	8/1973	Achenbach	D7/523
4,135,512 A *	1/1979	Godsey	604/78
4,170,316 A *	10/1979	LaBarbera	220/799
D276,700 S *	12/1984	Brown et al.	D9/436
D278,311 S *	4/1985	Brown et al.	D9/436
4,572,373 A *	2/1986	Johansson	206/515

(Continued)

Primary Examiner—Marianne Pandozzi

(74) *Attorney, Agent, or Firm*—Matthew J. Golden

(57) **CLAIM**

The ornamental design for a dosage cup, as shown and described.

DESCRIPTION

A portion of the disclosure of this patent document contains material which may be protected by copyright. The copyright owner has no objection the facsimile reproduction by anyone

of the patent document or the patent disclosure, as it appears in the Patent and Trademark Office patent file or records, but reserves all other copyright rights whatsoever.

FIG. 1 is a perspective view of an embodiment of a dosage cup showing my new design.

FIG. 2 is a plan view of one side of the embodiment shown in FIG. 1.

FIG. 3 is a plan view of the opposite side of the embodiment shown in FIG. 1.

FIG. 4 is a plan view of one end of the embodiment shown in FIG. 1.

FIG. 5 is a plan view of the opposite end of the embodiment shown in FIG. 1.

FIG. 6 is a plan view of the top of the embodiment shown in FIG. 1.

FIG. 7 is a plan view of the bottom of the embodiment shown in FIG. 1.

FIG. 8 is a perspective view of an embodiment of a dosage cup showing my new design.

FIG. 9 is a plan view of one side of the embodiment shown in FIG. 8.

FIG. 10 is a plan view of the opposite side of the embodiment shown in FIG. 8.

FIG. 11 is a plan view of one end of the embodiment shown in FIG. 8.

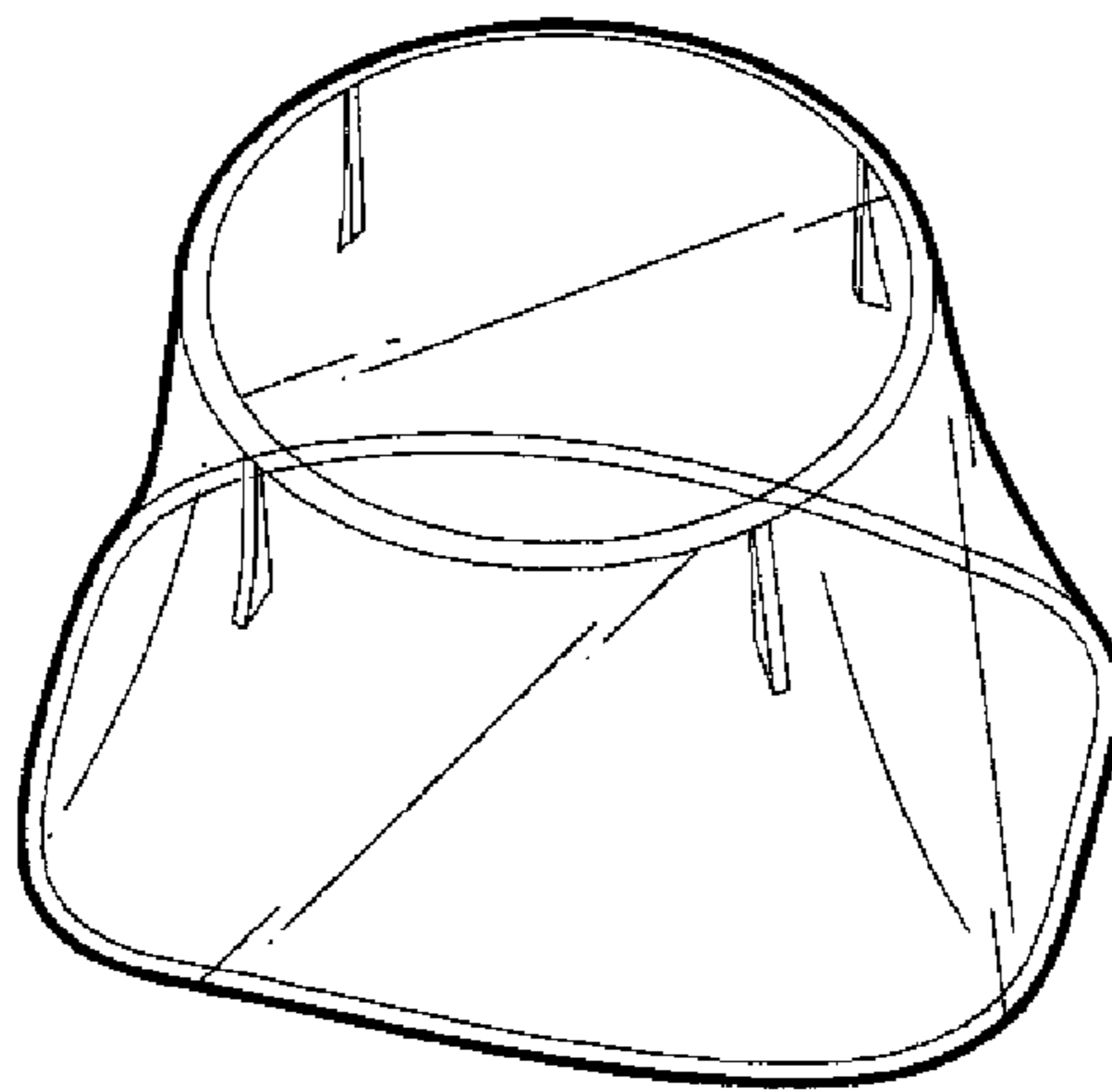
FIG. 12 is a plan view of the opposite end of the embodiment shown in FIG. 8.

FIG. 13 is a plan view of the top of the embodiment shown in FIG. 8; and,

FIG. 14 is a plan view of the bottom of the embodiment shown in FIG. 8.

In certain embodiments the broken lines are included in the drawings only for illustration, and are not part of the design for which design patent protection is sought.

1 Claim, 3 Drawing Sheets



US D622,101 S

Page 2

U.S. PATENT DOCUMENTS

D285,515 S	9/1986	Papciak		D478,809 S	8/2003	Cummings	
D286,614 S	11/1986	Melville		D483,258 S	12/2003	Cummings	
D384,888 S	10/1997	Diekhoff		D484,418 S	12/2003	Diete	
D385,494 S	10/1997	Balz et al.		D487,872 S	3/2004	De Baschmakoff	
D391,485 S	3/1998	Biesecker, II et al.		D494,059 S	8/2004	Cummings	
D402,893 S	12/1998	Monaghan		D519,322 S *	4/2006	Hutton D7/523
D410,842 S	6/1999	DiMarzo et al.		7,090,116 B2 *	8/2006	Cutler et al. 229/400
D418,754 S	1/2000	Hutchinson et al.		D530,199 S *	10/2006	Kitamura et al. D9/444
D427,528 S	7/2000	Krueger		D531,452 S *	11/2006	Toth D7/523
D435,098 S	12/2000	Kemmis et al.		D543,326 S *	5/2007	Dretzka D34/1
D444,874 S *	7/2001	Haffner et al. D24/120	D550,039 S *	9/2007	Haberli D7/523
D450,593 S	11/2001	Jebb et al.		D551,555 S	9/2007	Escobosa et al.	
D451,021 S *	11/2001	Berge et al. D9/445	7,296,700 B2	11/2007	Steele, IV et al.	
D458,139 S	6/2002	Moore et al.		D566,467 S *	4/2008	Starck D7/505
D461,718 S	8/2002	Brozell		D577,987 S *	10/2008	Corbin D8/353
D475,281 S	6/2003	Cummings		D592,011 S *	5/2009	Fujimoto et al. D7/509
				D595,539 S *	7/2009	Starck D7/509

* cited by examiner

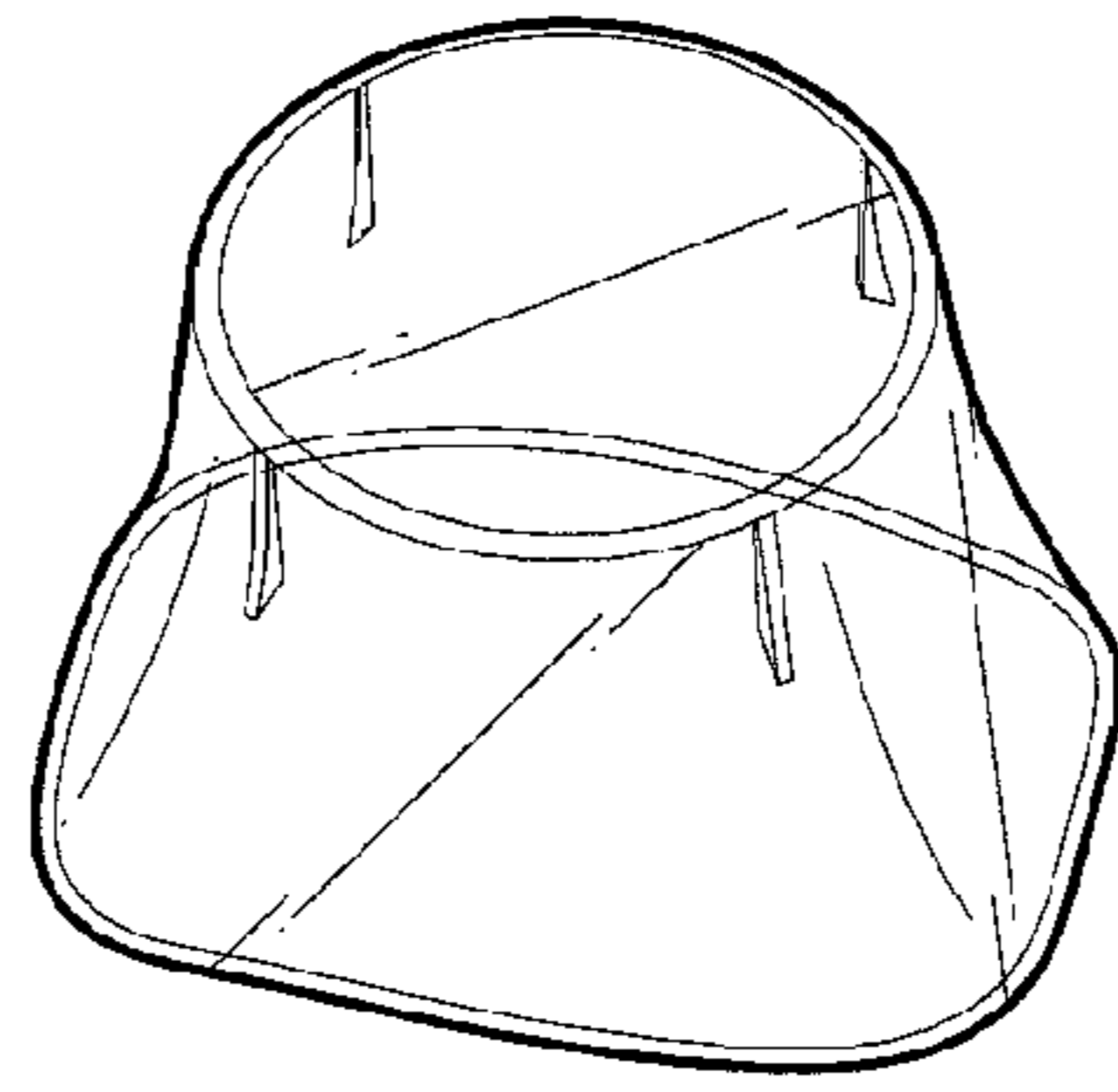


FIG. 1

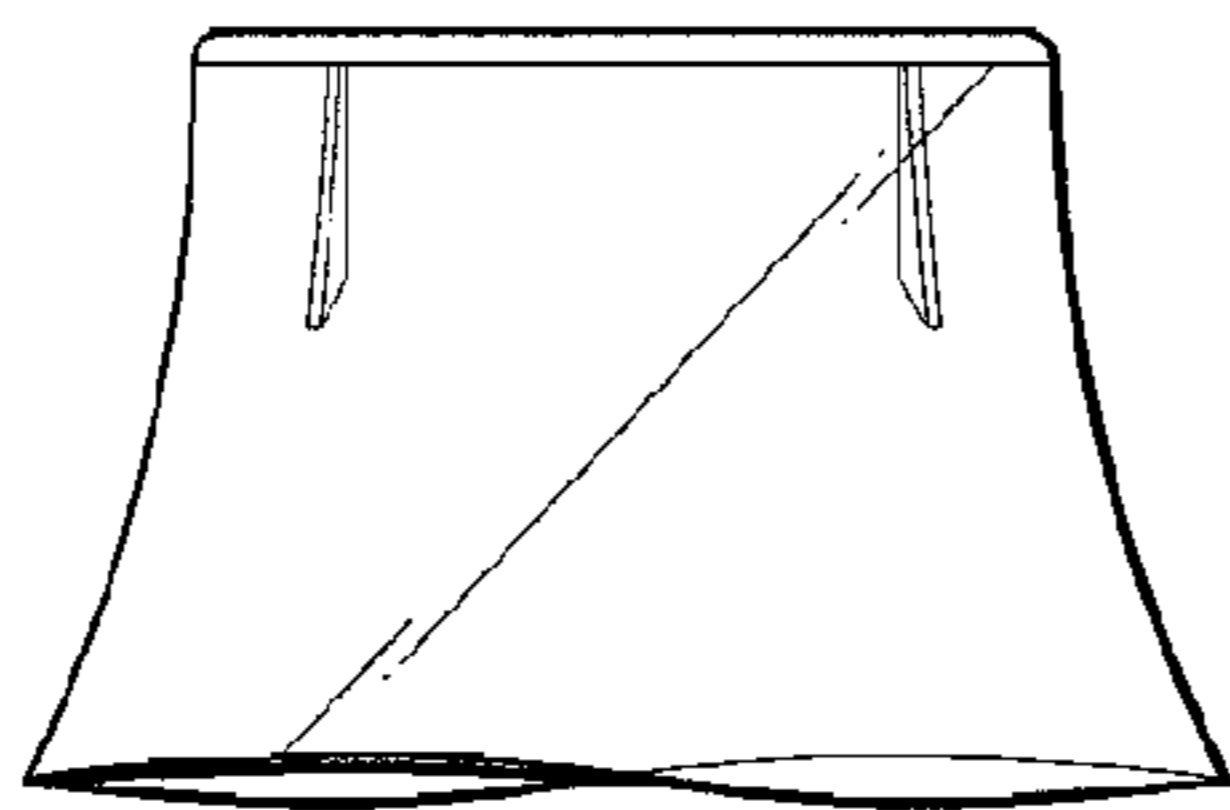


FIG. 2

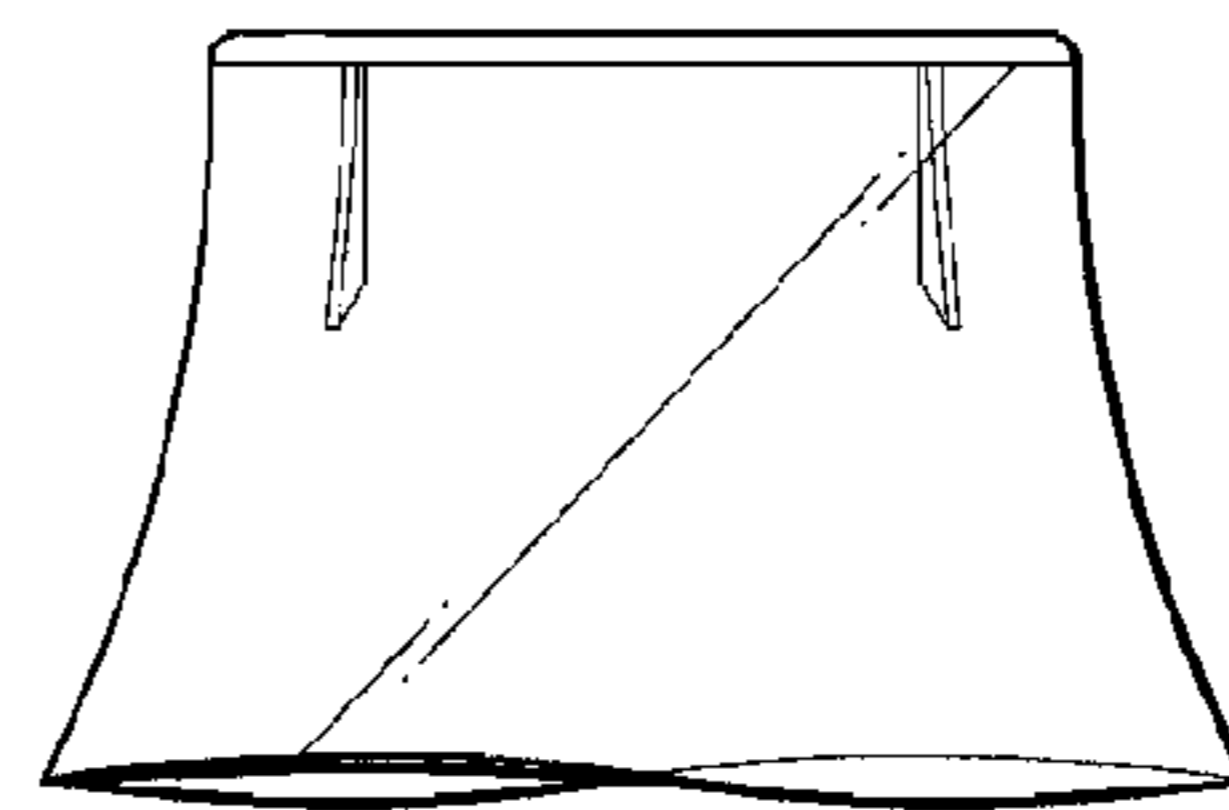


FIG. 3

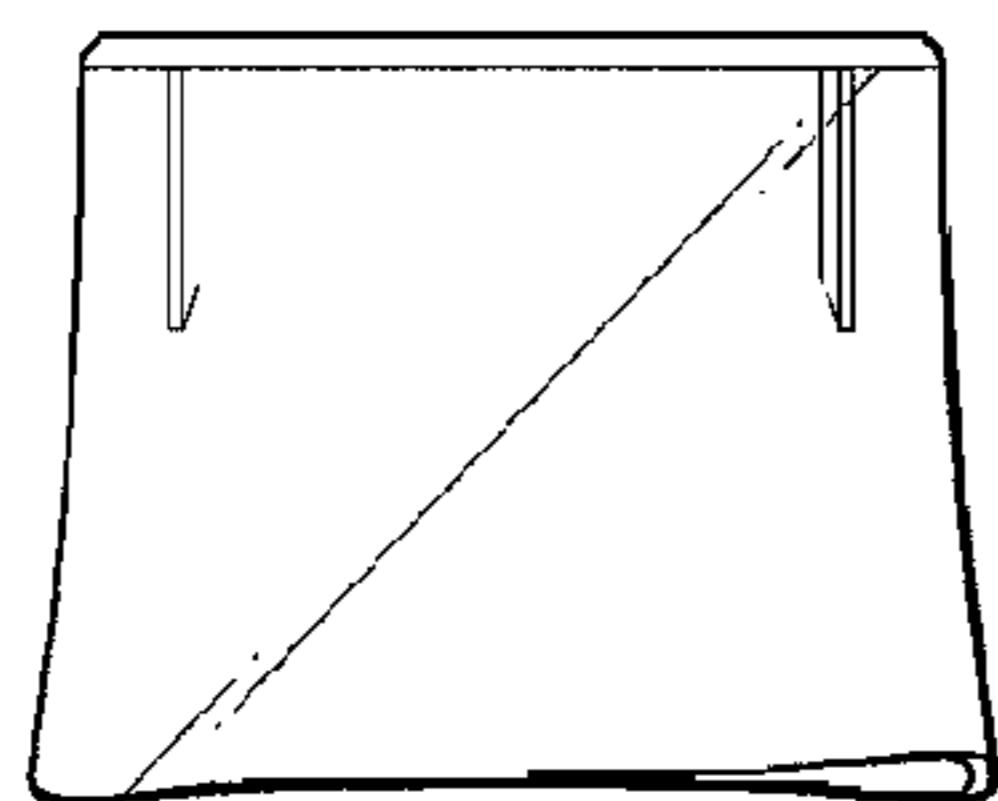


FIG. 4

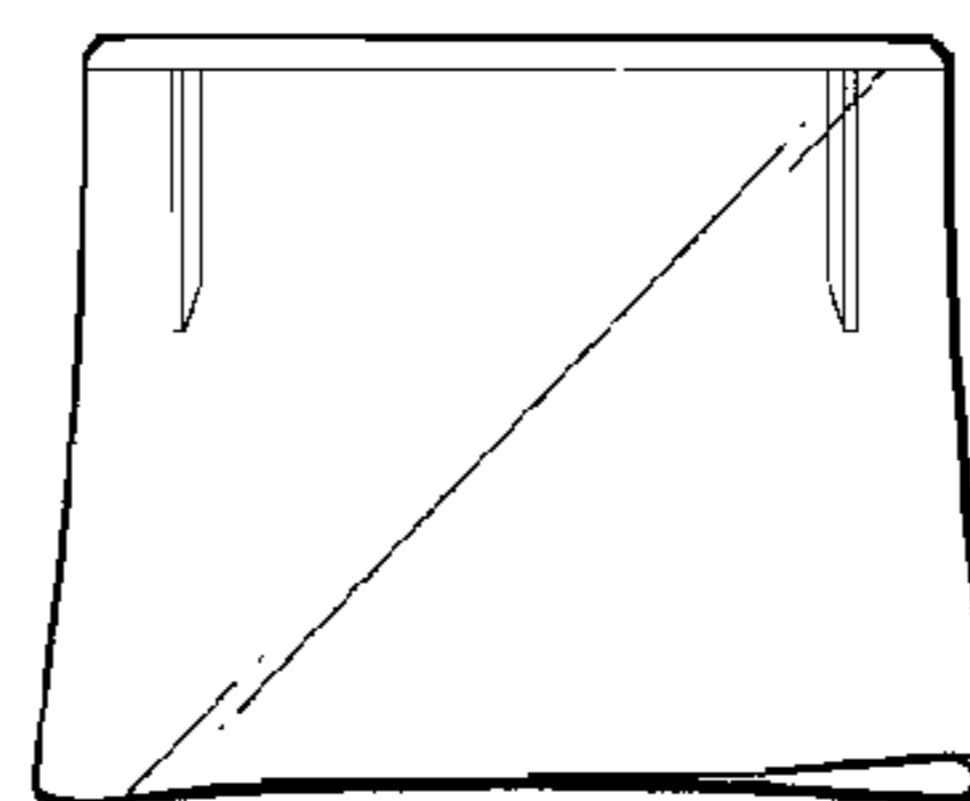


FIG. 5

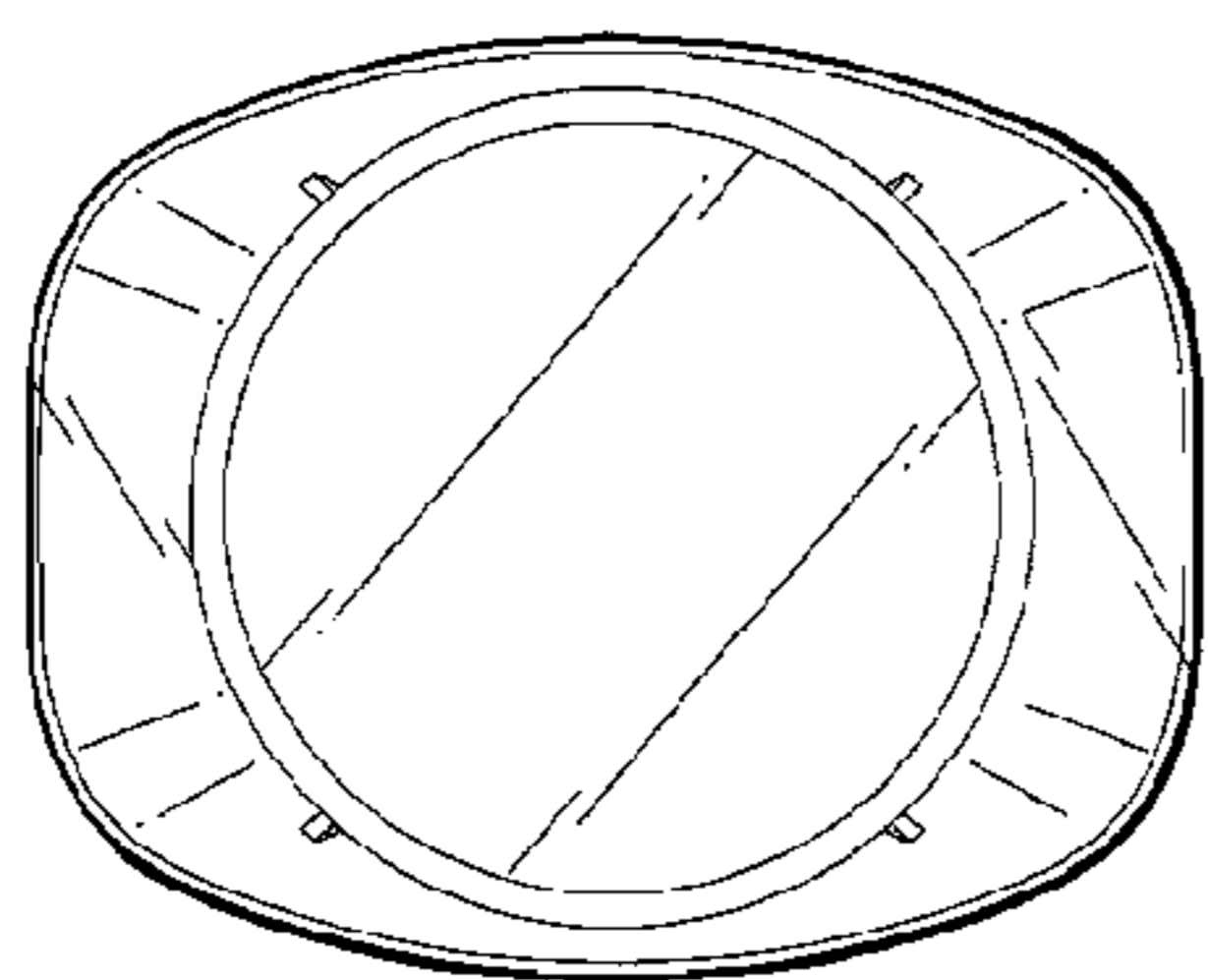


FIG. 6

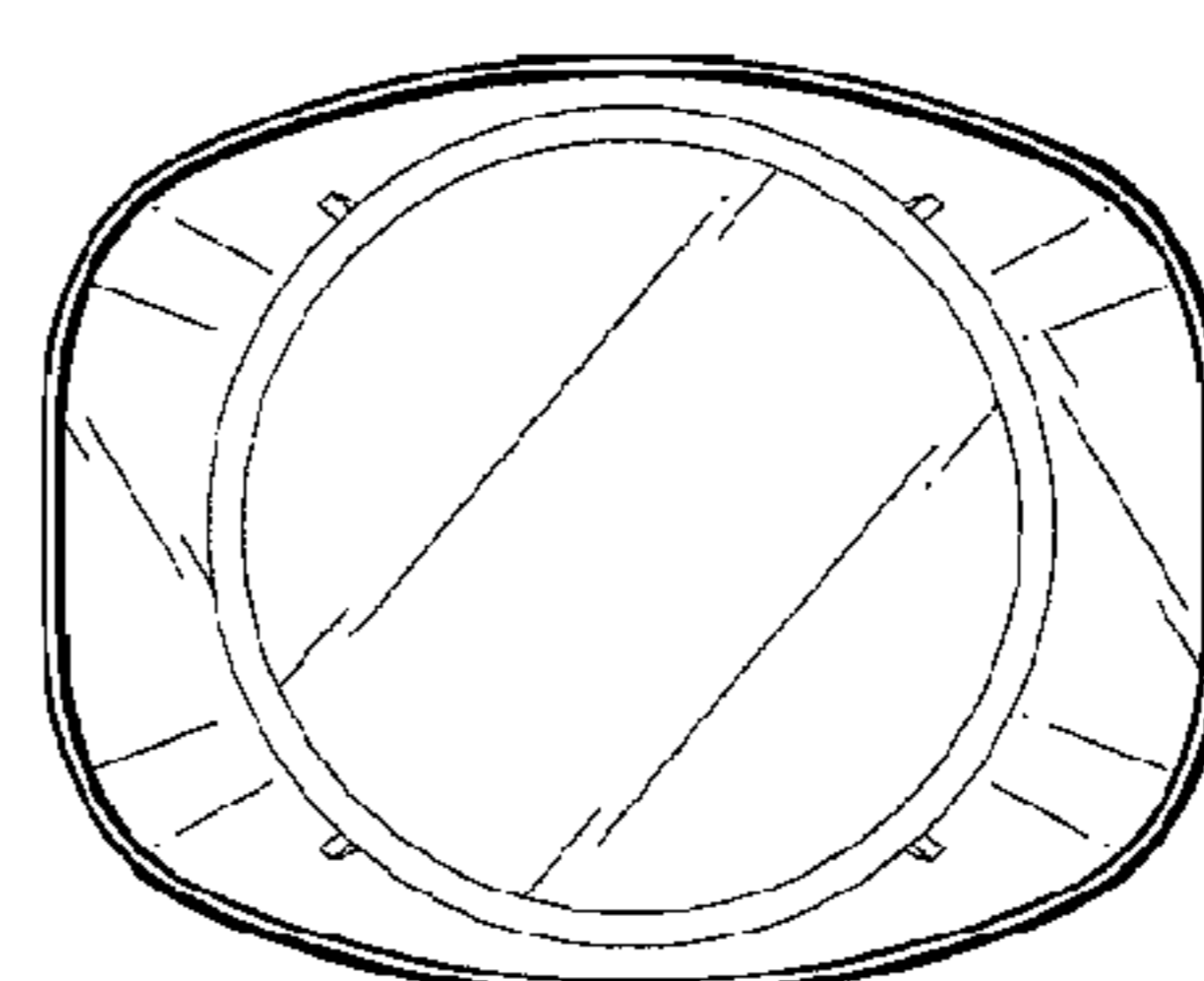


FIG. 7

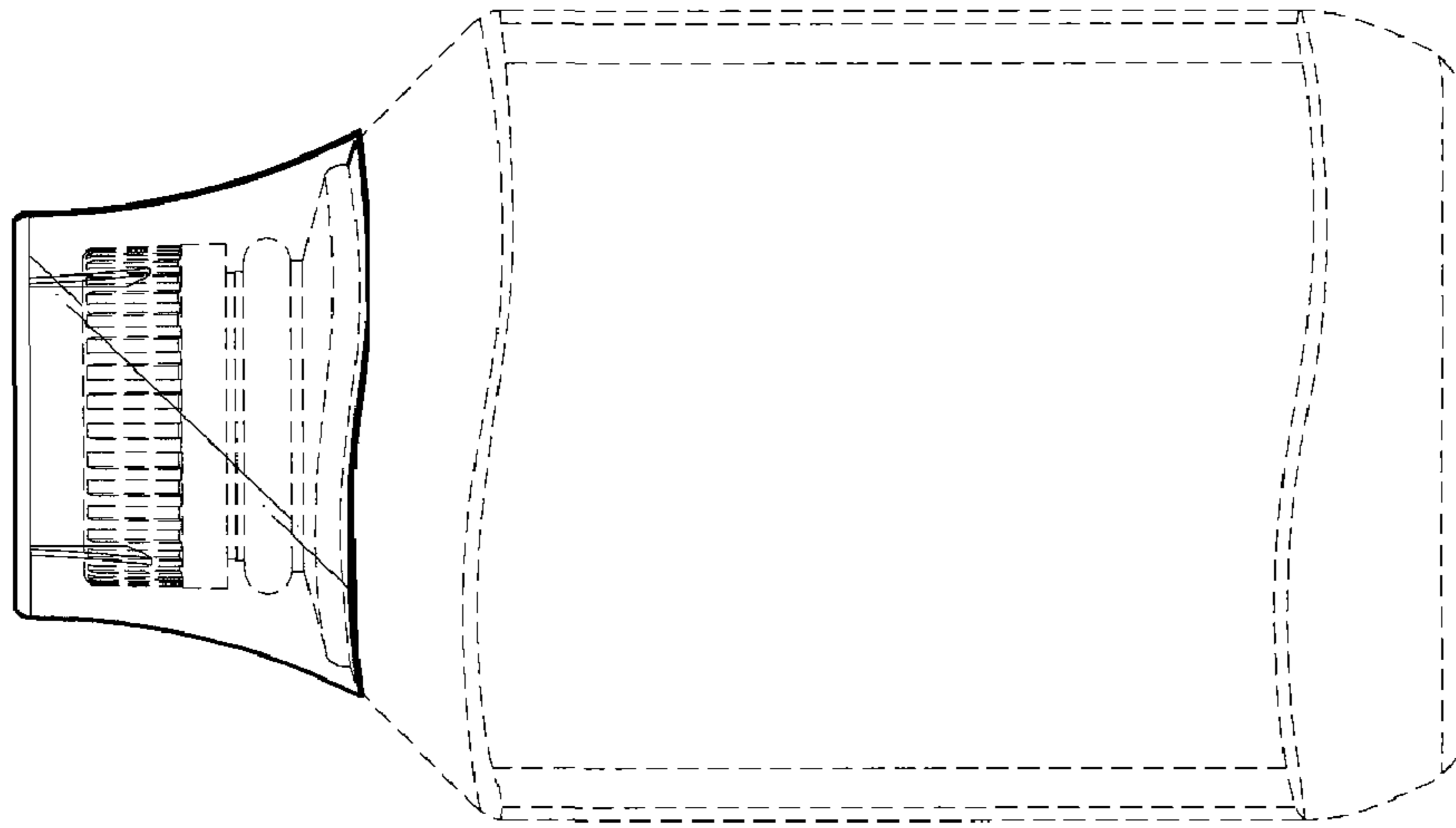


FIG. 8

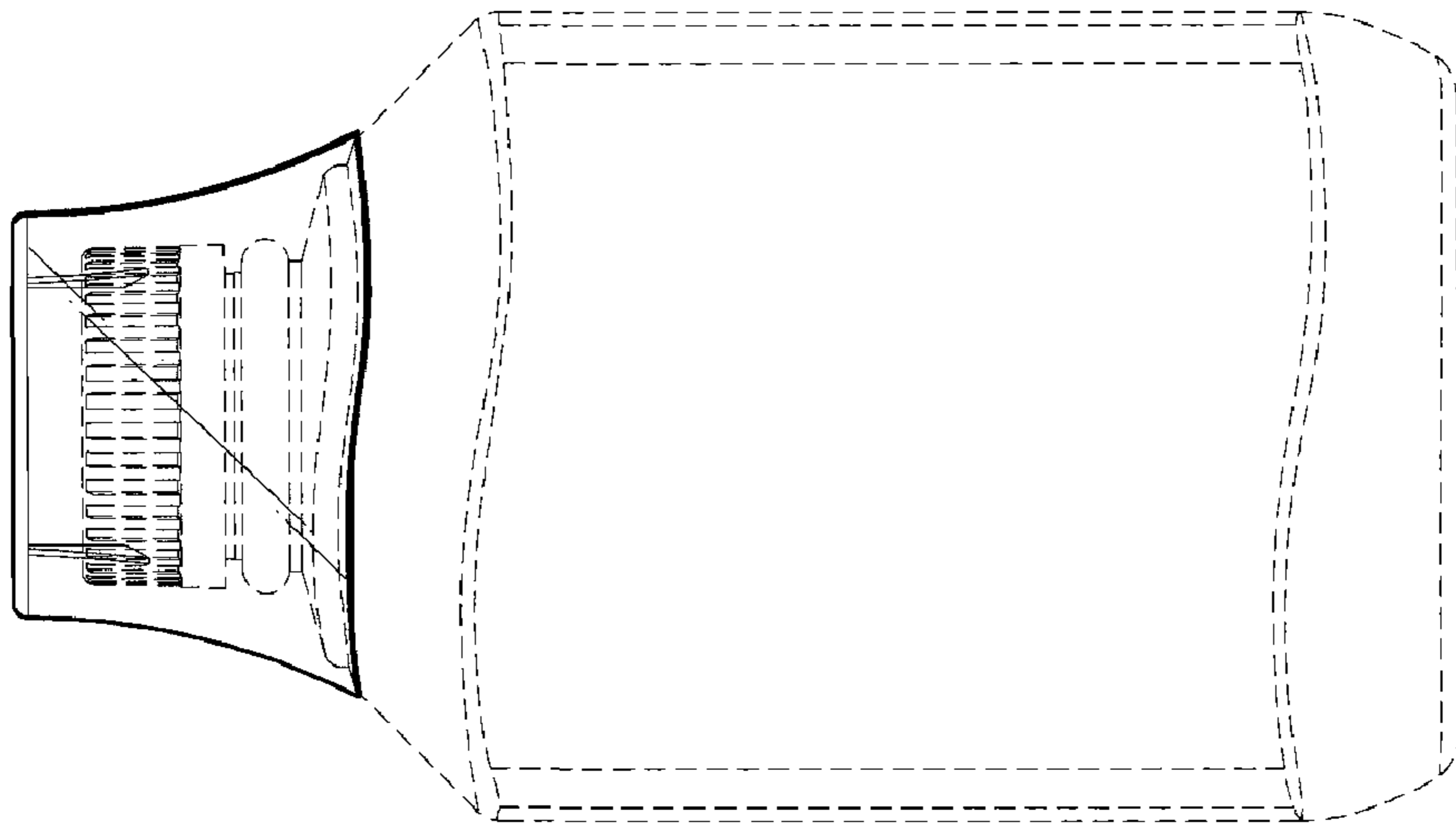


FIG. 9

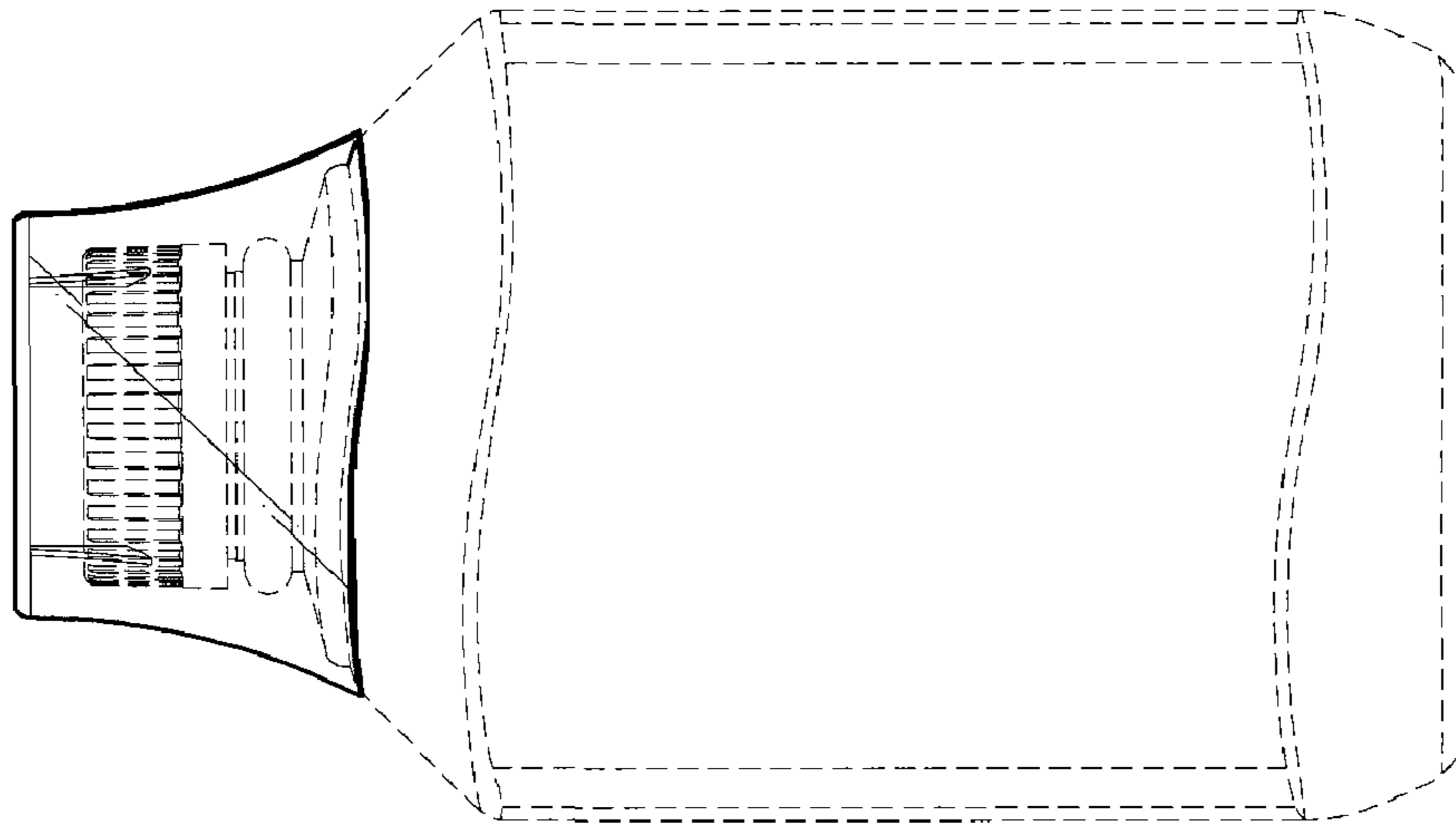


FIG. 10

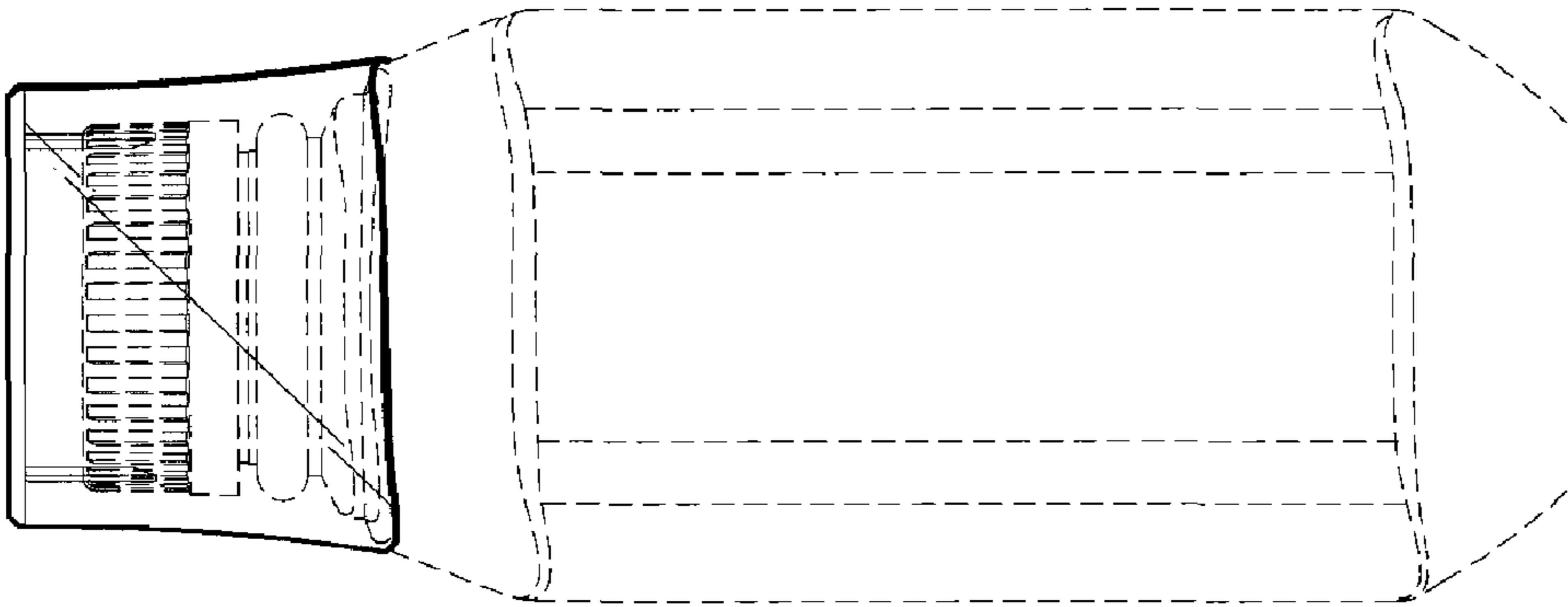


FIG. 11

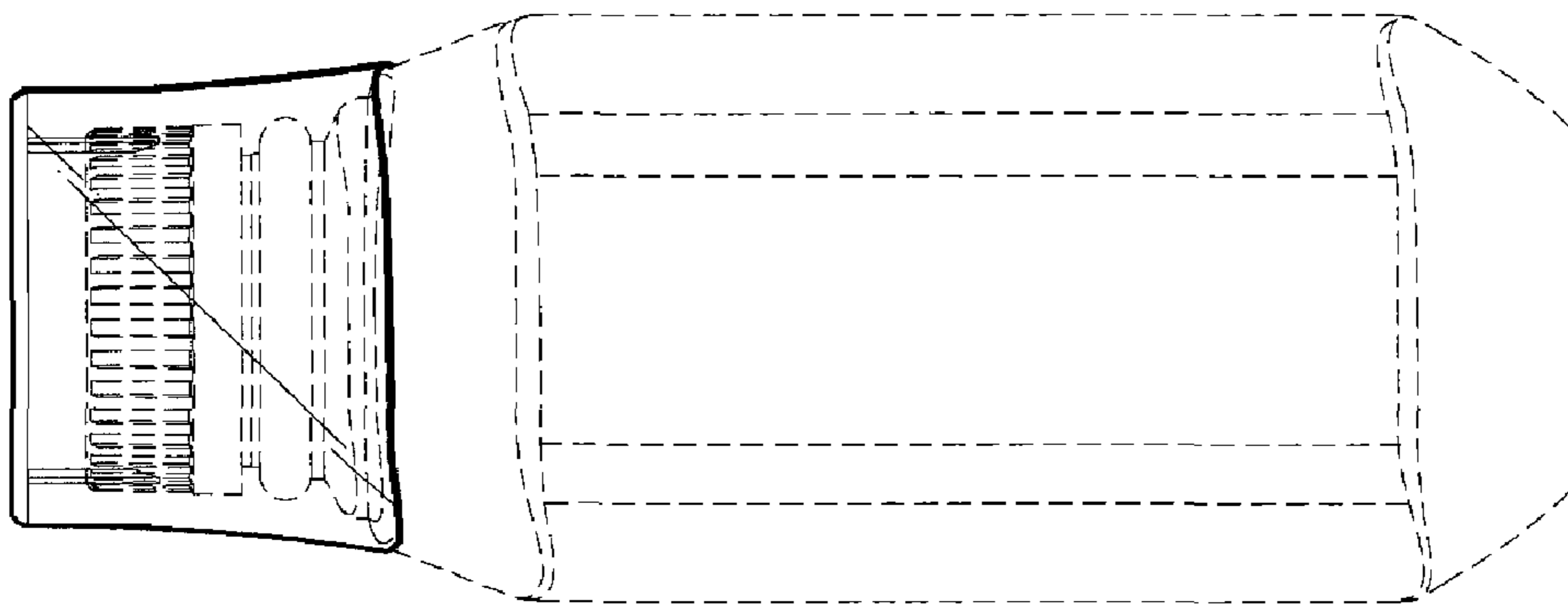


FIG. 12

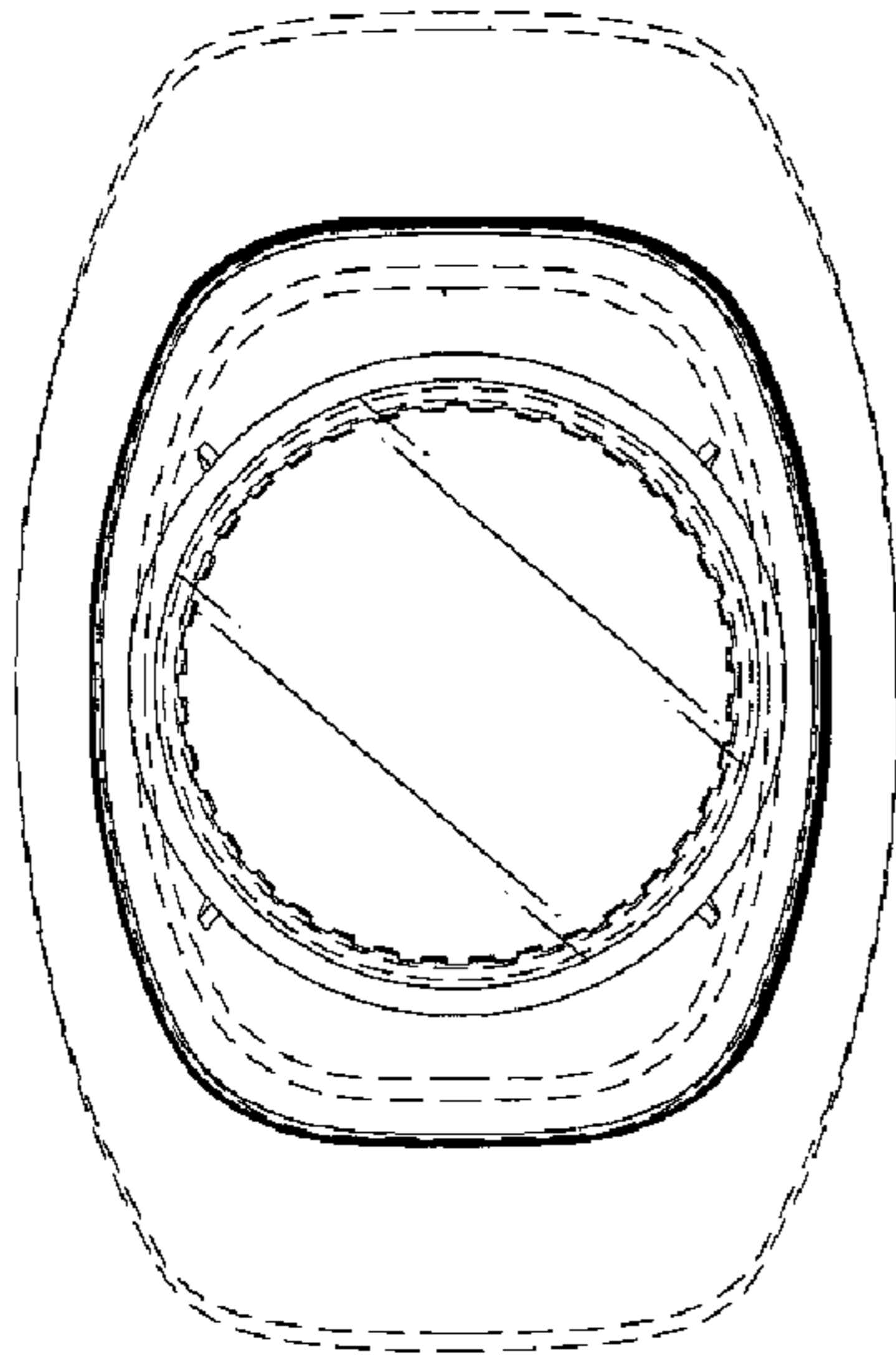


FIG. 13

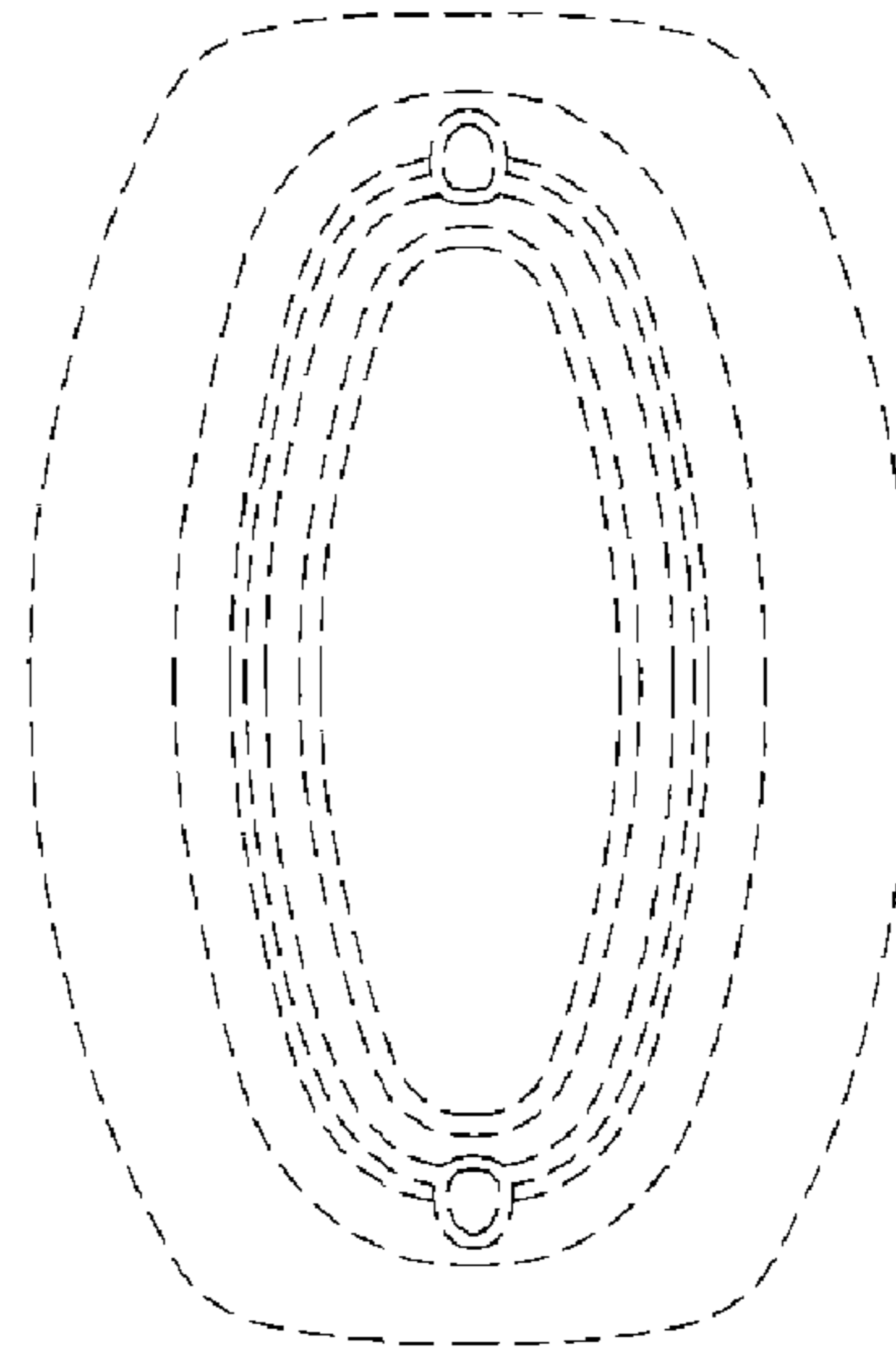


FIG. 14