

US00D622099S

(12) **United States Design Patent**
Pike

(10) **Patent No.:** **US D622,099 S**

(45) **Date of Patent:** **** Aug. 24, 2010**

(54) **BEVERAGE DISPENSER**

(76) **Inventor:** **Jake Pike**, 61 15th St., Hermosa Beach,
CA (US) 90254

(**) **Term:** **14 Years**

(21) **Appl. No.:** **29/351,690**

(22) **Filed:** **Dec. 9, 2009**

(51) **LOC (9) Cl.** **07-99**

(52) **U.S. Cl.** **D7/397; D7/398; D7/301;**
D7/307; D27/162

(58) **Field of Classification Search** **D7/301,**
D7/397, 398, 306-308, 300; 131/348; 222/175,
222/400.8; D27/162

See application file for complete search history.

(56) **References Cited**

U.S. PATENT DOCUMENTS

770,271	A	*	9/1904	Doehrer	222/400.8
D87,246	S	*	6/1932	Wagner	D7/301
D100,553	S	*	7/1936	Smith	D7/301
D121,300	S	*	7/1940	Levy et al.	D7/398
D134,336	S	*	11/1942	Saffell	D15/7
D354,584	S	*	1/1995	Newman	D27/162

RE36,523	E	*	1/2000	Newman	D27/162
RE36,595	E	*	3/2000	Newman	D27/162
D546,110	S	*	7/2007	Stein	D7/301
D547,902	S	*	7/2007	Kassir	D27/162
D554,797	S	*	11/2007	Kassir	D27/162
D560,413	S	*	1/2008	Stein	D7/301
D561,388	S	*	2/2008	Kassir	D27/162
D584,853	S	*	1/2009	Kassir	D27/162
2006/0107964	A1	*	5/2006	Ohanesian	131/173
2006/0207621	A1	*	9/2006	Shraiber	131/348

* cited by examiner

Primary Examiner—Marianne Pandozzi

(74) *Attorney, Agent, or Firm*—Michael N. Cohen; Cohen I.P. Law Group, P.C.

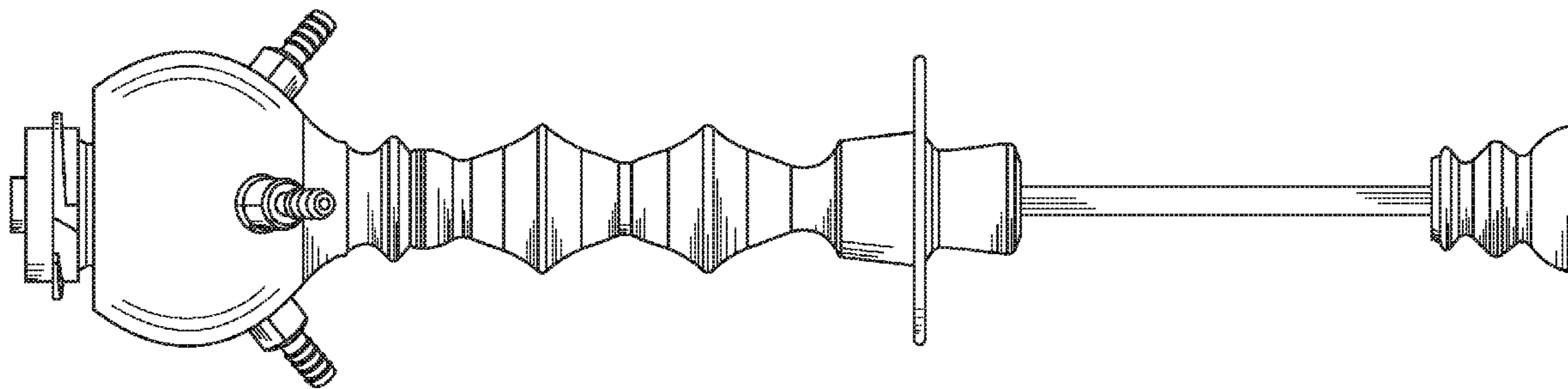
(57) **CLAIM**

I claim the ornamental design for a beverage dispenser, as shown and described.

DESCRIPTION

FIG. 1 is a side view of a beverage dispenser;
FIG. 2 is a top view of FIG. 1; and,
FIG. 3 is a bottom view of FIG. 1.

1 Claim, 2 Drawing Sheets



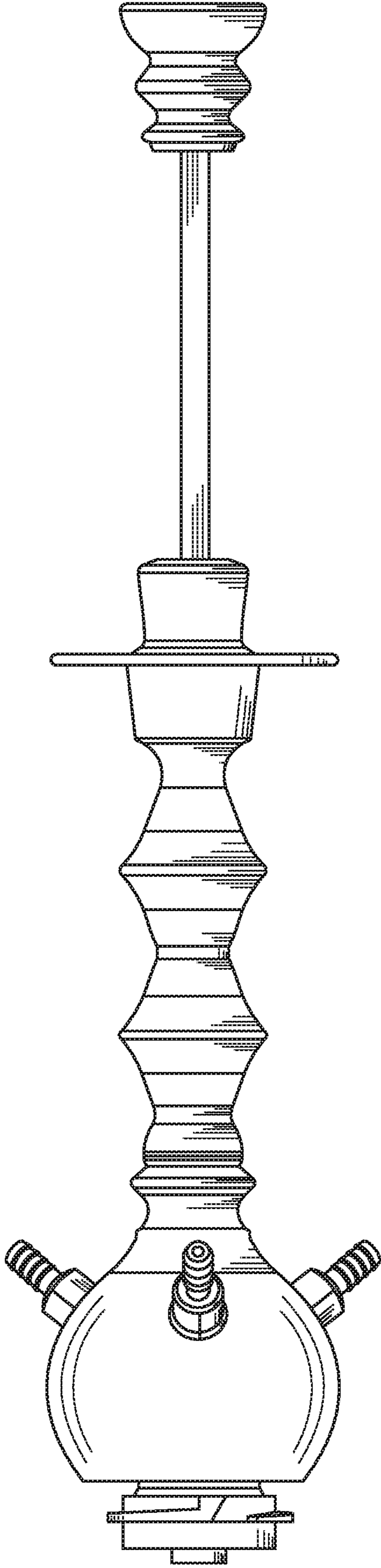


FIG. 1

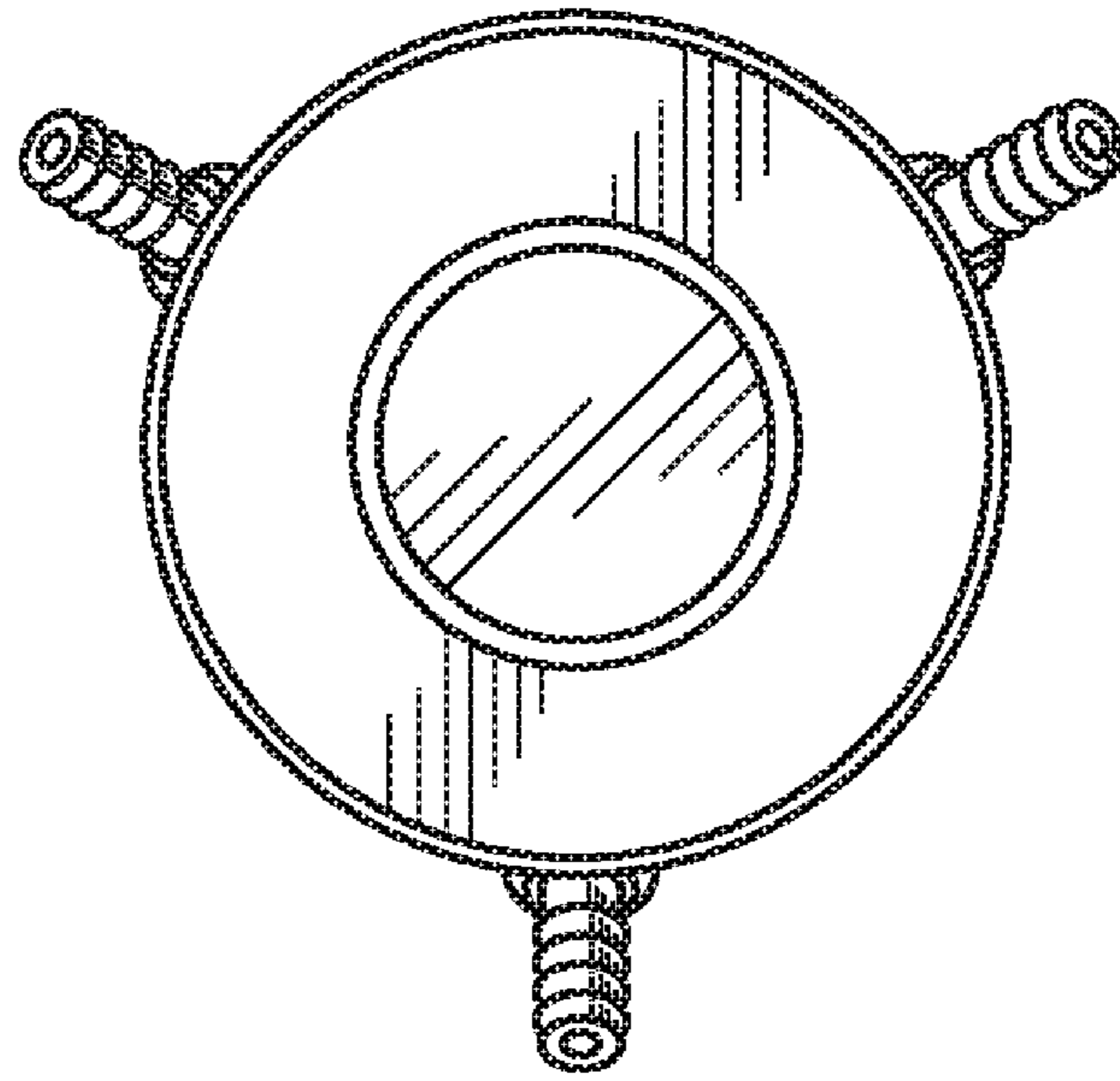


FIG. 2

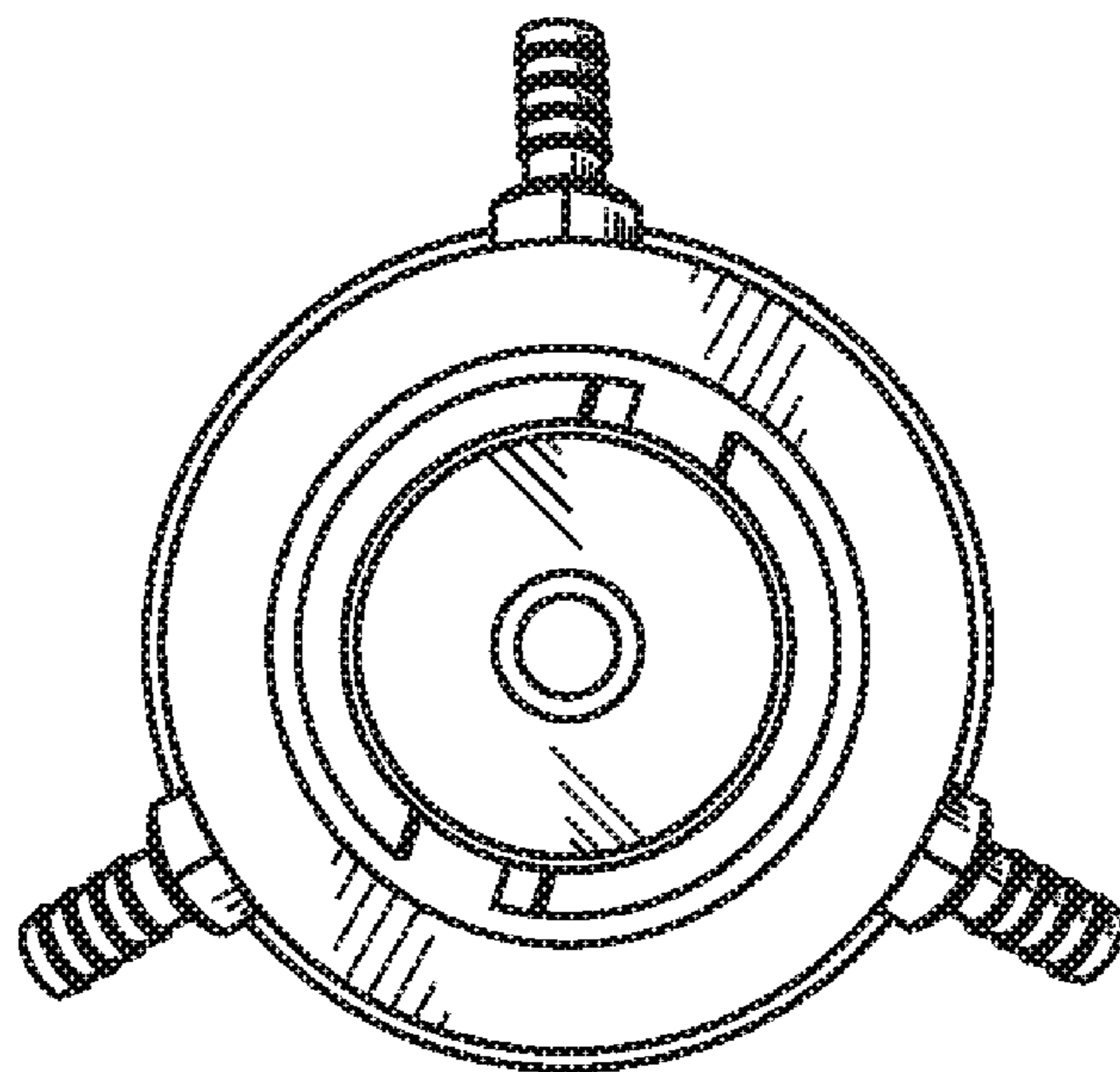


FIG. 3