



US00D622098S

(12) **United States Design Patent**
Pantaleo

(10) **Patent No.:** **US D622,098 S**

(45) **Date of Patent:** **** Aug. 24, 2010**

(54) **COOKWARE HANDLE**

(75) Inventor: **Sarah Pantaleo**, Sandy Springs, GA
(US)

(73) Assignee: **Calphalon Corporation**, Atlanta, GA
(US)

(**) Term: **14 Years**

(21) Appl. No.: **29/356,352**

(22) Filed: **Feb. 24, 2010**

Related U.S. Application Data

(63) Continuation-in-part of application No. 29/340,628,
filed on Jul. 22, 2009, now Pat. No. Des. 613,551.

(51) **LOC (9) Cl.** **07-02**

(52) **U.S. Cl.** **D7/395**

(58) **Field of Classification Search** D7/354–361,
D7/393–395, 401.2, 664; D8/80, 83, 107,
D8/300, 303, 307, 313, 321; D4/138, 129;
16/421, 430, 431, 110.1, 407; 220/573.1–573.5,
220/752, 753, 755, 756, 759, 767, 771, 912;
D24/133, 144

See application file for complete search history.

(56) **References Cited**

U.S. PATENT DOCUMENTS

D284,540 S * 7/1986 Baumgarten D7/393
D426,107 S * 6/2000 Cheng D7/393
D433,278 S * 11/2000 LoGiudice D7/395

D497,771 S * 11/2004 Thomkins D7/395
D555,421 S * 11/2007 Thurlow et al. D7/393
D567,579 S * 4/2008 Rae D7/393
D578,345 S * 10/2008 Rae D7/393
D587,519 S * 3/2009 Cheng et al. D7/360
D589,744 S * 4/2009 Rae D7/395
D592,452 S * 5/2009 Tetreault D7/395
D599,165 S * 9/2009 Rae D7/395

* cited by examiner

Primary Examiner—Cynthia M Chin

(74) *Attorney, Agent, or Firm*—Gardner Groff Greenwald &
Villanueva, PC

(57) **CLAIM**

The ornamental design for a cookware handle, as shown and
described.

DESCRIPTION

FIG. 1 is a top perspective view of a cookware handle accord-
ing to the present invention.

FIG. 2 is a top view of the cookware handle of FIG. 1.

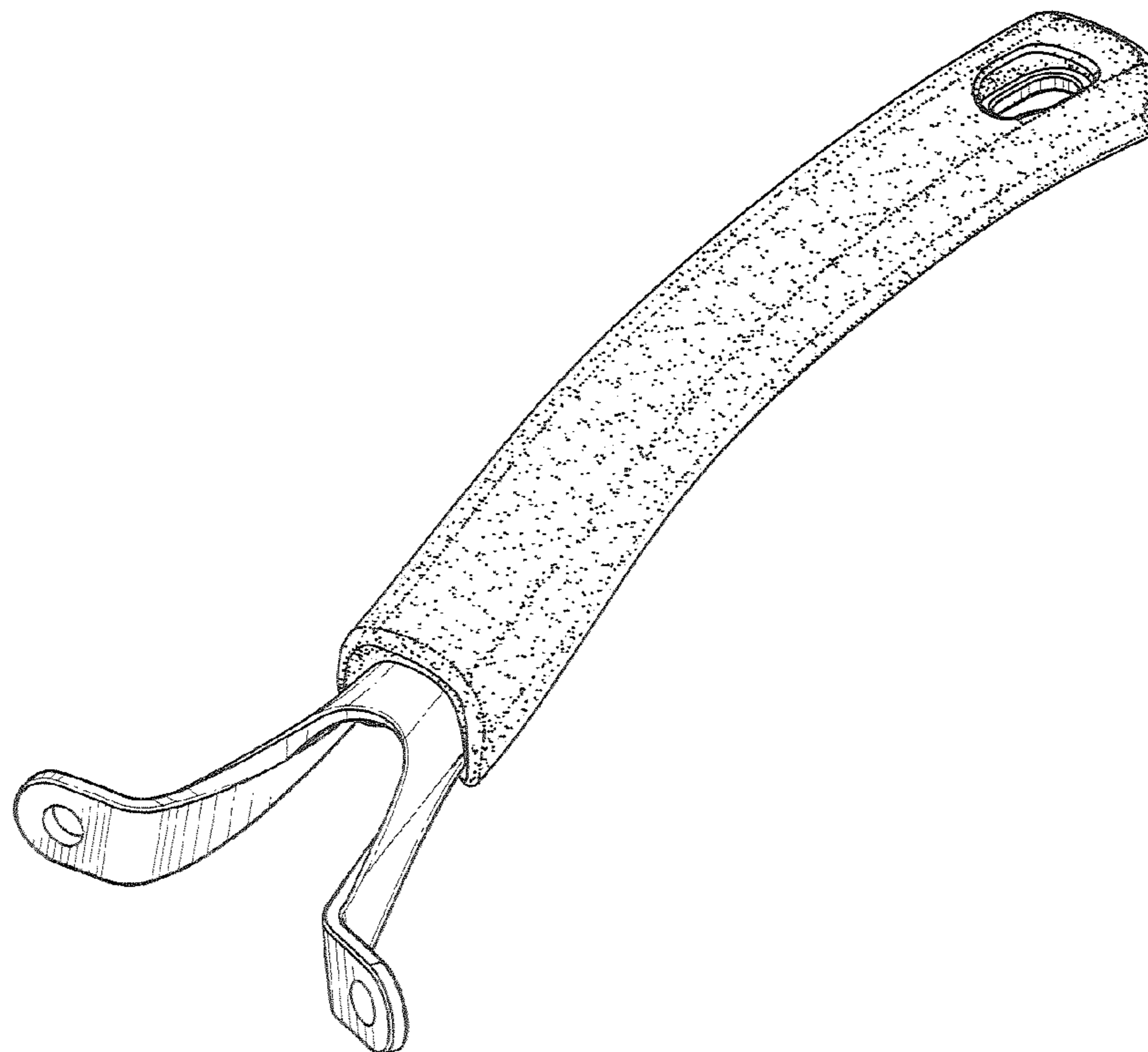
FIG. 3 is a bottom view of the cookware handle of FIG. 1.

FIG. 4 is a right side view of the cookware handle of FIG. 1,
the left side view being a mirror image thereof.

FIG. 5 is a front end (mounting end) view of the cookware
handle of FIG. 1; and,

FIG. 6 is a rear end (gripping end) view of cookware handle
of FIG. 1.

1 Claim, 5 Drawing Sheets



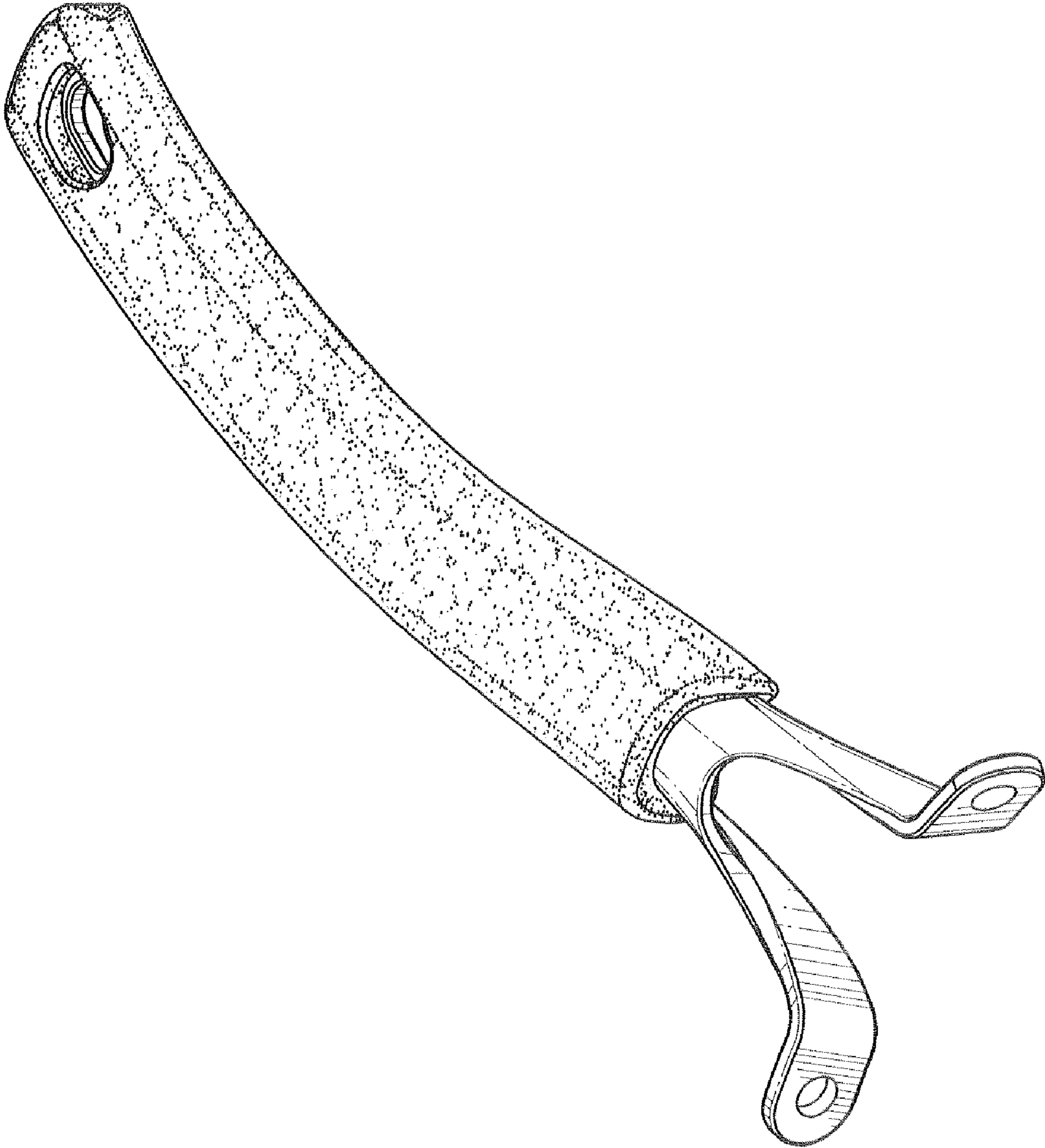


FIG. 1

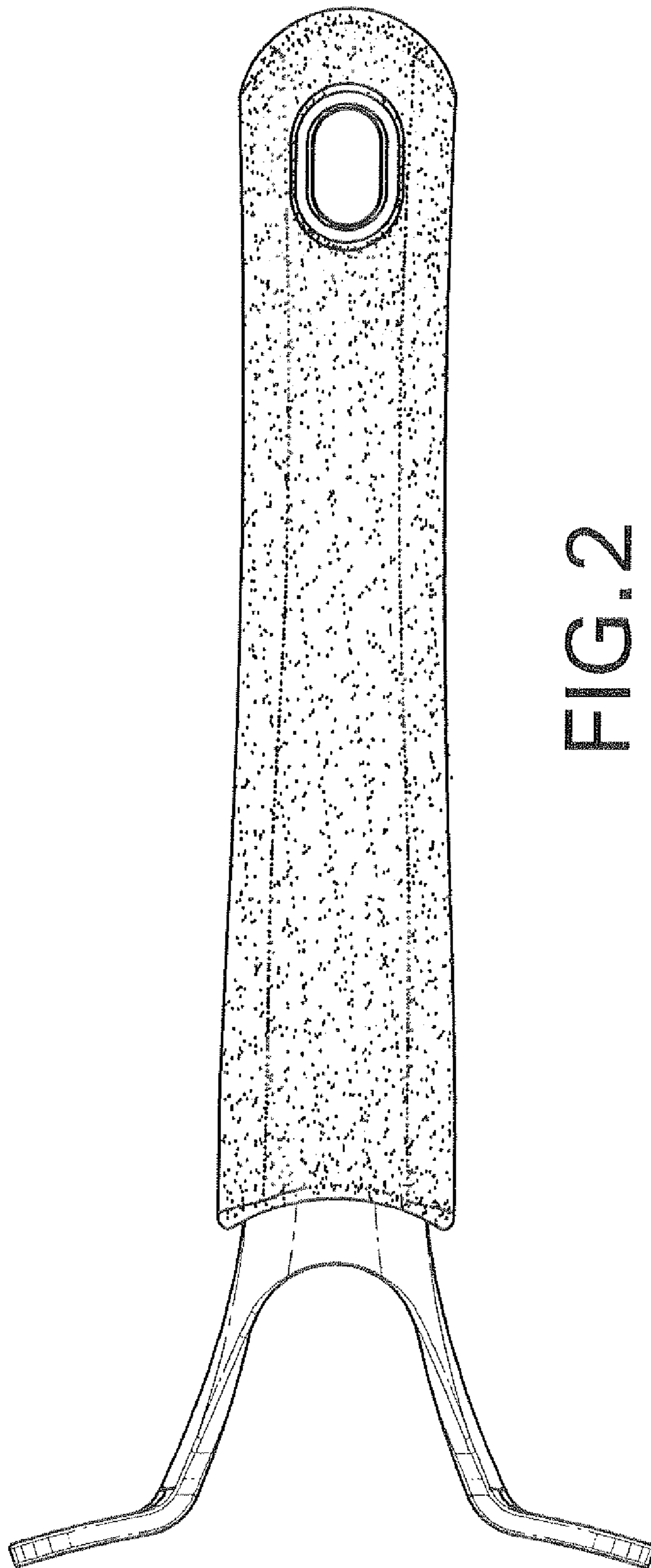


FIG. 2

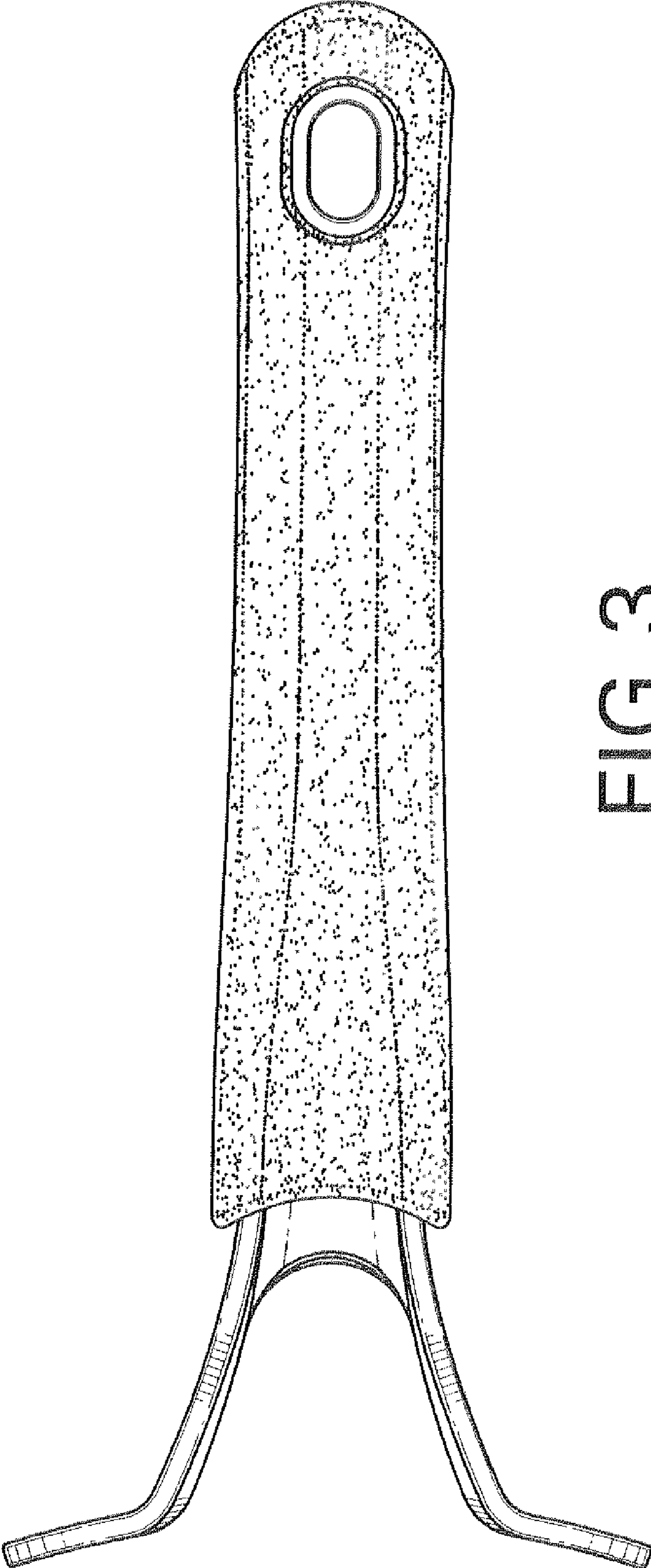


FIG. 3

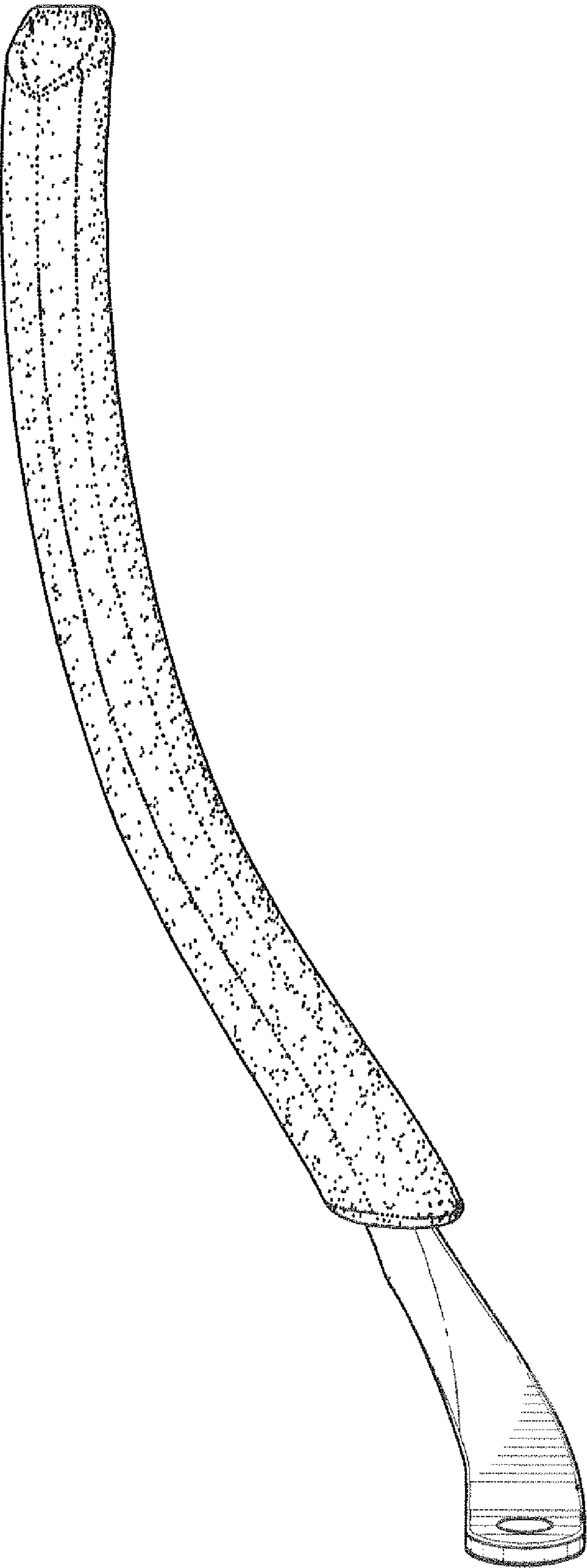


FIG. 4

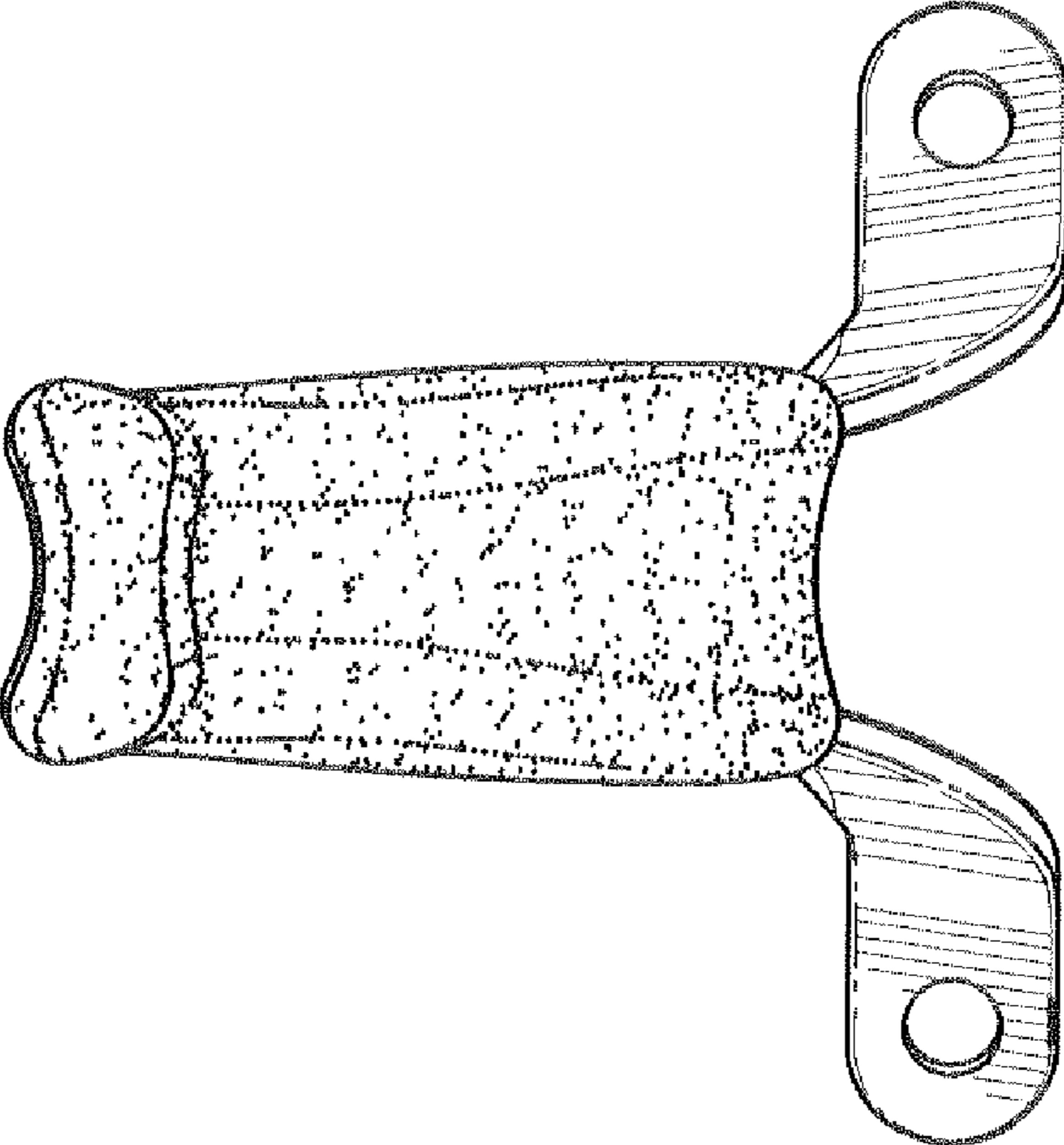


FIG. 6

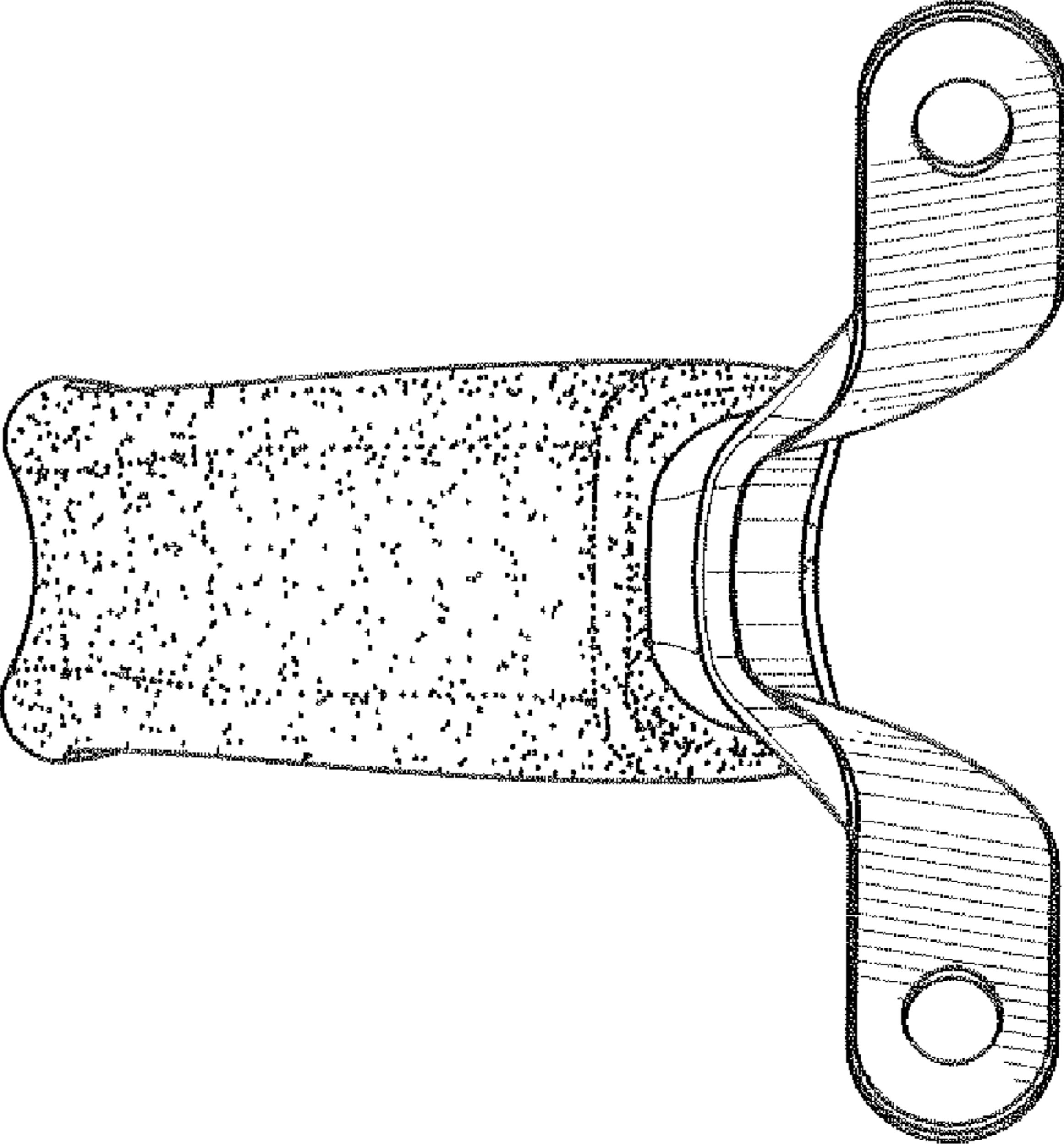


FIG. 5