



US00D622095S

(12) **United States Design Patent**  
**Metaxatos et al.**

(10) **Patent No.:** **US D622,095 S**

(45) **Date of Patent:** **\*\* Aug. 24, 2010**

(54) **QUAD BLADE CHOPPER**

(75) Inventors: **Paul Metaxatos**, Charlestown, MA  
(US); **Andrea Stavrinou**, Brighton, MA  
(US); **Dann Provolo**, Barrington, RI  
(US)

(73) Assignee: **Euro-Pro Operating LLC**, Newton,  
MA (US)

(\*\*) Term: **14 Years**

(21) Appl. No.: **29/341,034**

(22) Filed: **Jul. 29, 2009**

(51) **LOC (9) Cl.** ..... **31-00**

(52) **U.S. Cl.** ..... **D7/383; D7/376**

(58) **Field of Classification Search** ..... D7/317–318,  
D7/323, 356, 372–386, 412–415, 665; 99/348,  
99/509–511; 241/30–37.5, 101.01–101.2,  
241/166–169.1, 274–278.2, 285.1–285.3,  
241/291, 292.1; 366/64–67, 98, 129, 142,  
366/192, 197–211, 241–254, 279–292, 341–347  
See application file for complete search history.

(56) **References Cited**

**U.S. PATENT DOCUMENTS**

D320,326 S \* 10/1991 Barrault ..... D7/384  
D320,717 S \* 10/1991 O'Brien ..... D7/384  
D339,716 S \* 9/1993 Barrault ..... D7/383

D346,526 S \* 5/1994 Bannigan ..... D7/323  
D366,595 S \* 1/1996 Dobson et al. .... D7/384  
D372,835 S \* 8/1996 Leverrier ..... D7/372  
D390,745 S \* 2/1998 Leverrier ..... D7/381  
D433,872 S \* 11/2000 Naft et al. .... D7/384  
D487,668 S \* 3/2004 Sands ..... D7/378  
D572,076 S \* 7/2008 Ling ..... D7/384

\* cited by examiner

*Primary Examiner*—Caron Veynar

*Assistant Examiner*—Ricky Pham

(74) *Attorney, Agent, or Firm*—Wolf, Greenfield & Sacks,  
P.C.

(57) **CLAIM**

The ornamental design for a quad blade chopper, as shown  
and described.

**DESCRIPTION**

FIG. 1 is a front left side perspective view of a quad blade  
chopper showing our new design;

FIG. 2 is a top plan view thereof;

FIG. 3 is a left side elevational view thereof;

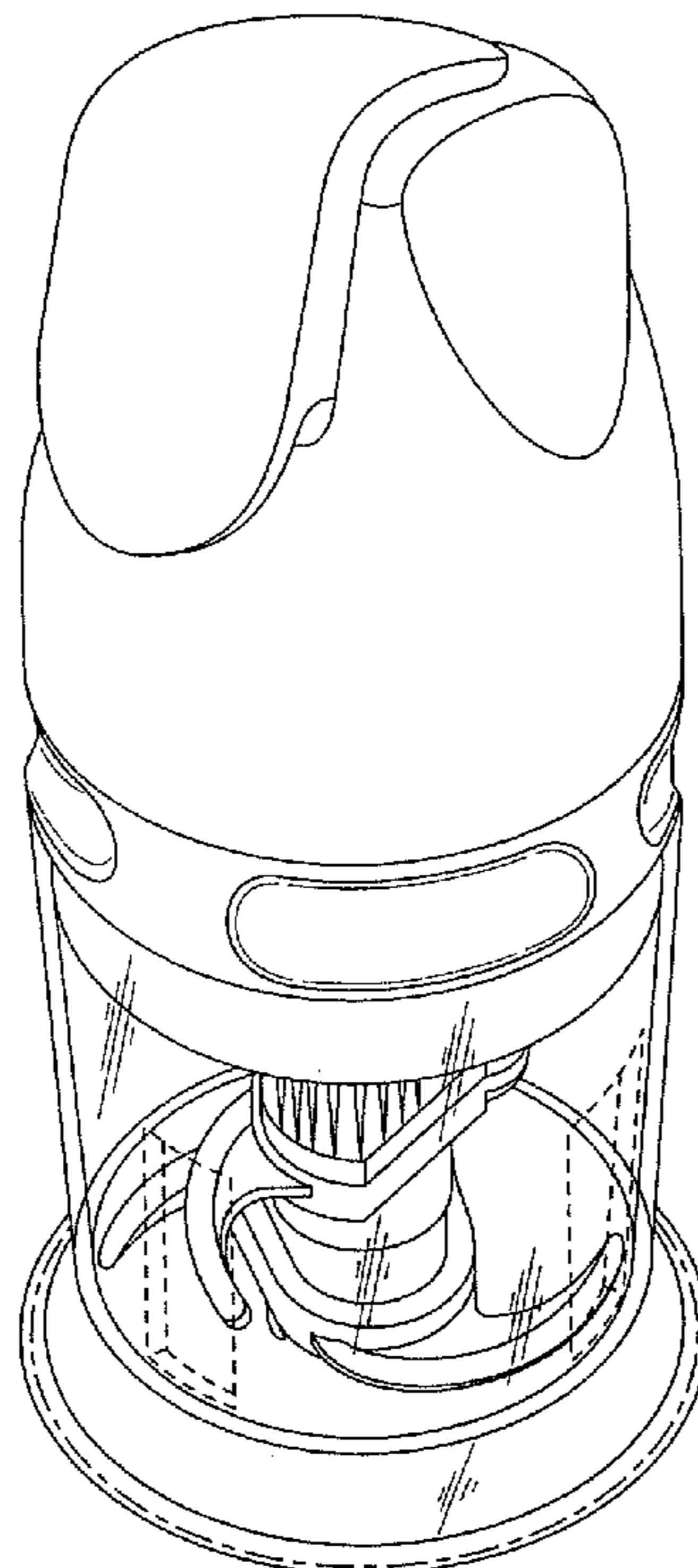
FIG. 4 is a rear elevational view thereof;

FIG. 5 is a front elevational view thereof;

FIG. 6 is a right side elevational view thereof; and,

FIG. 7 is a bottom plan view thereof.

**1 Claim, 7 Drawing Sheets**



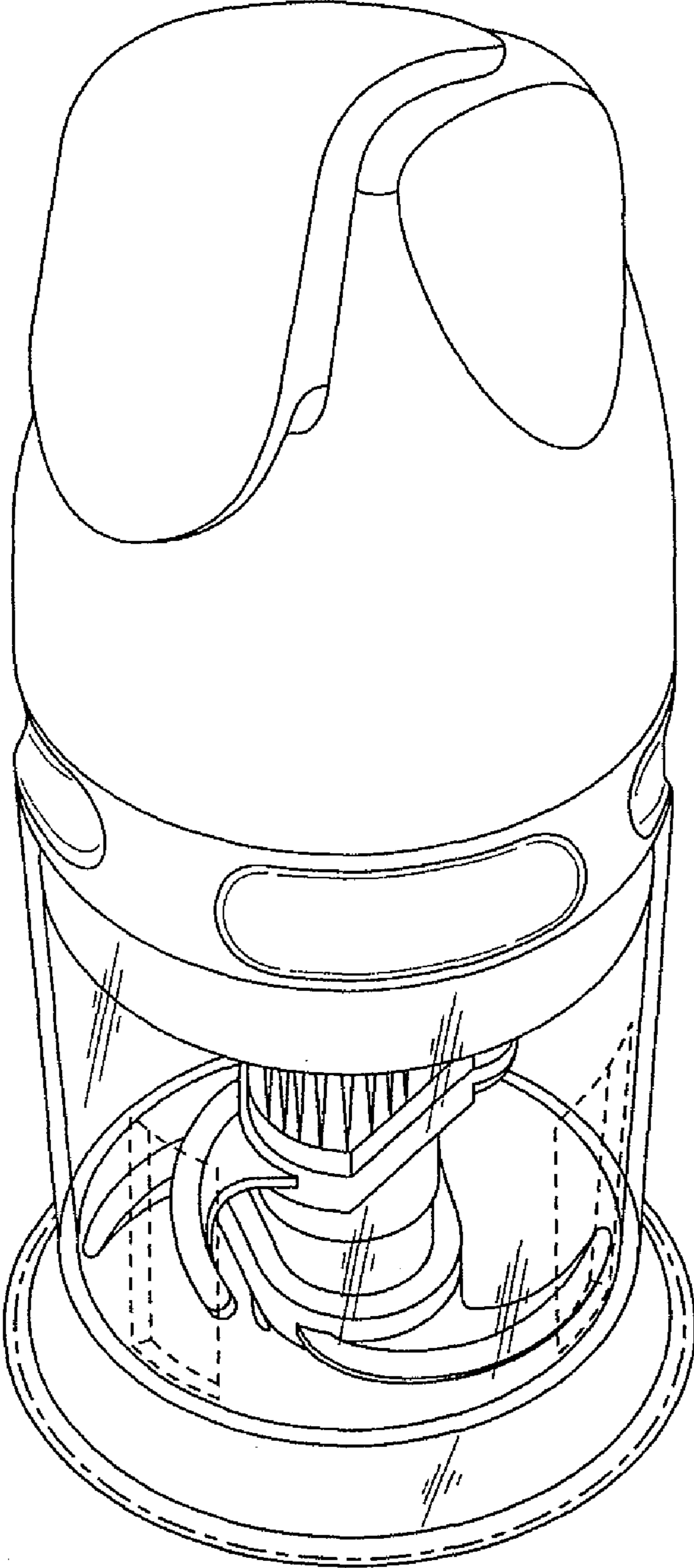
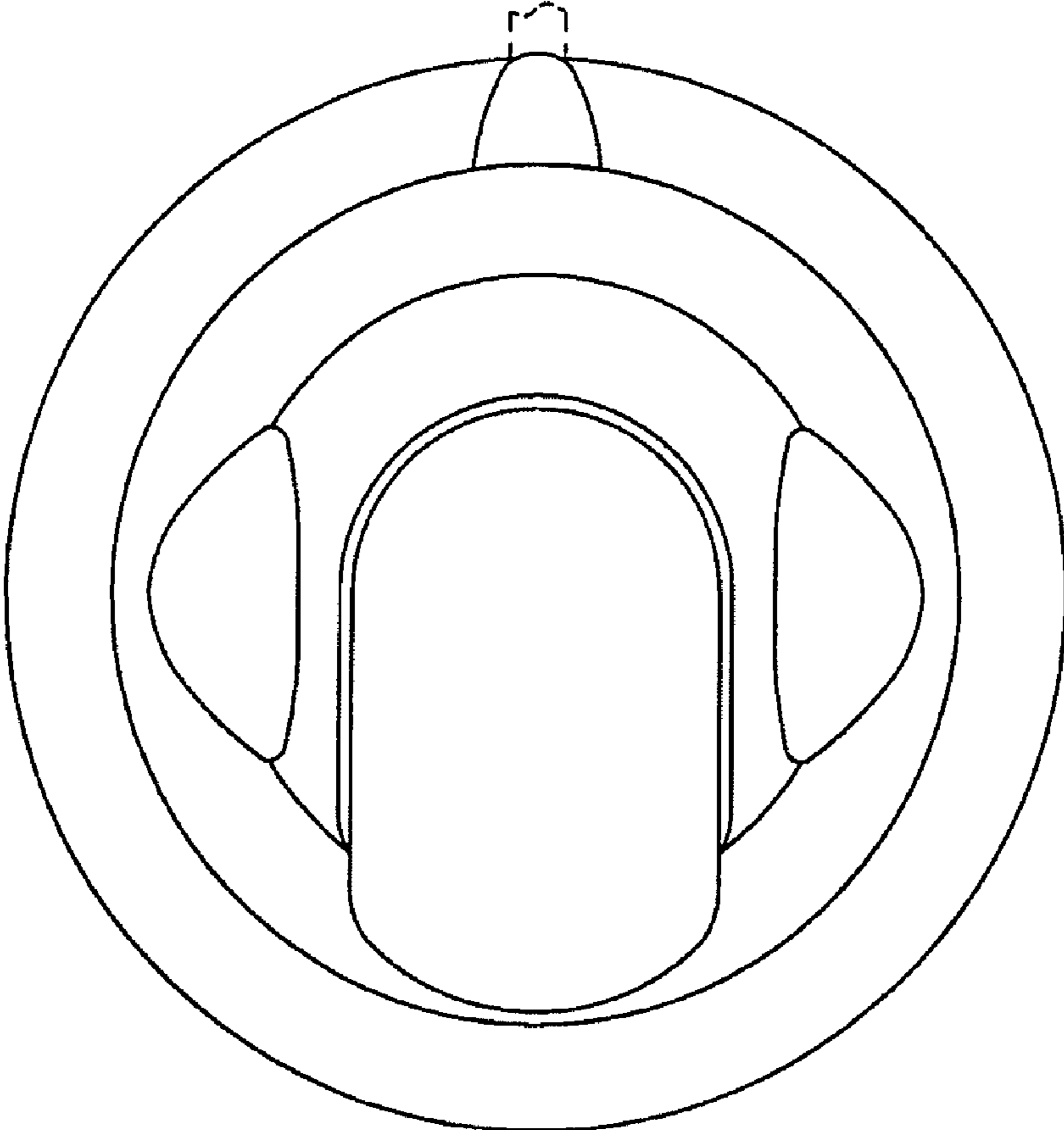


FIG. 1



**FIG.2**

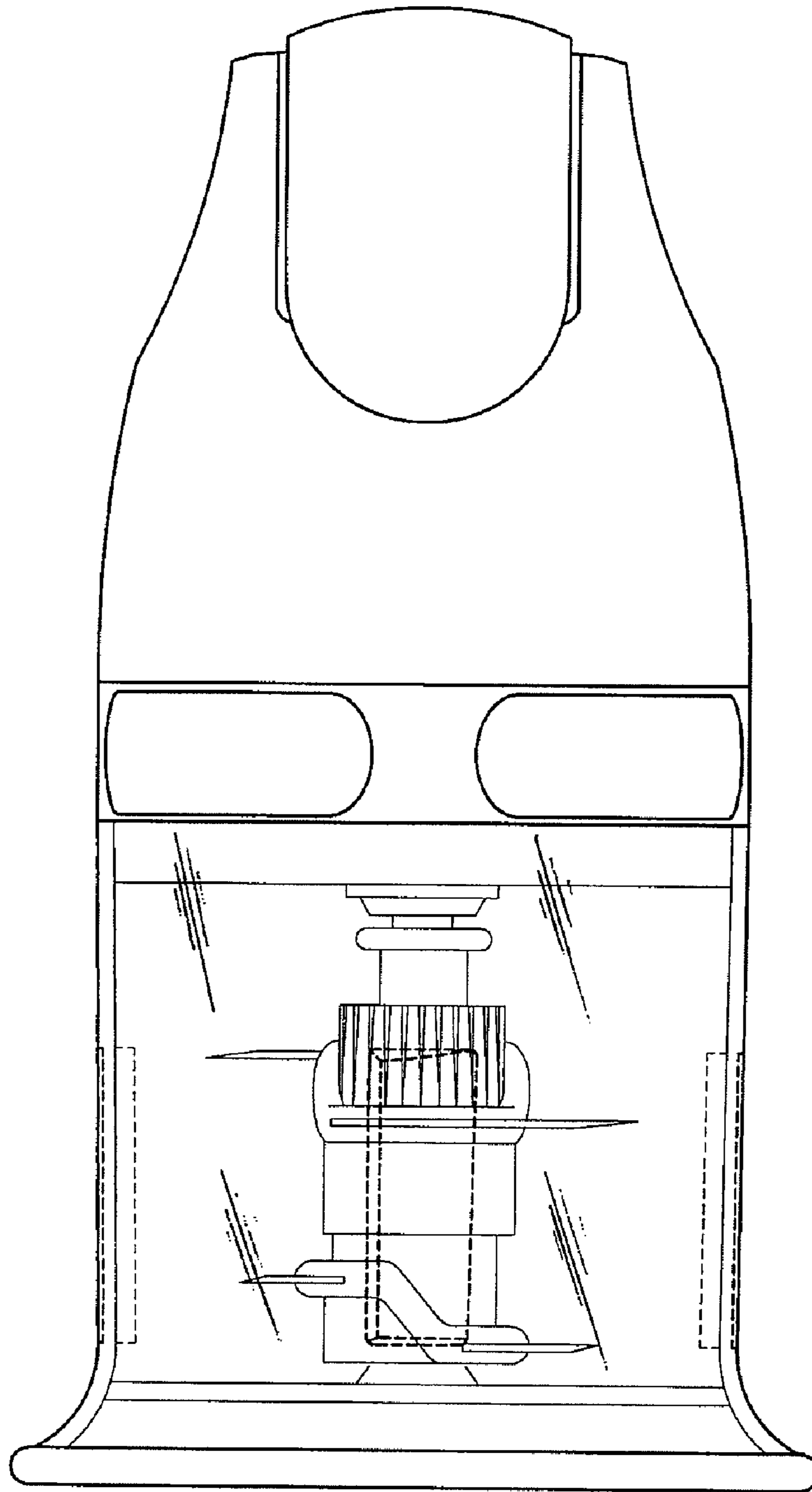


FIG.3

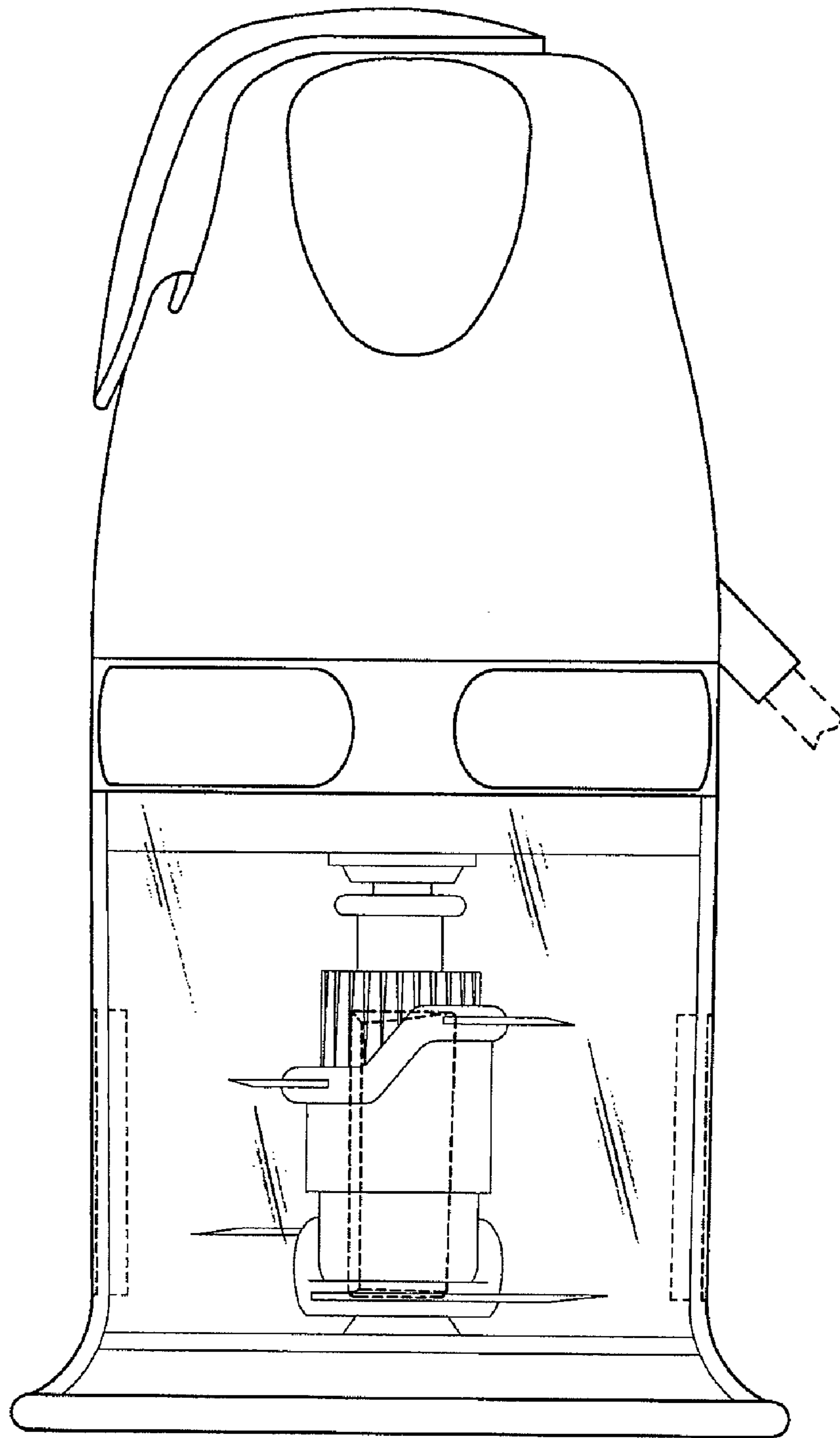


FIG.4

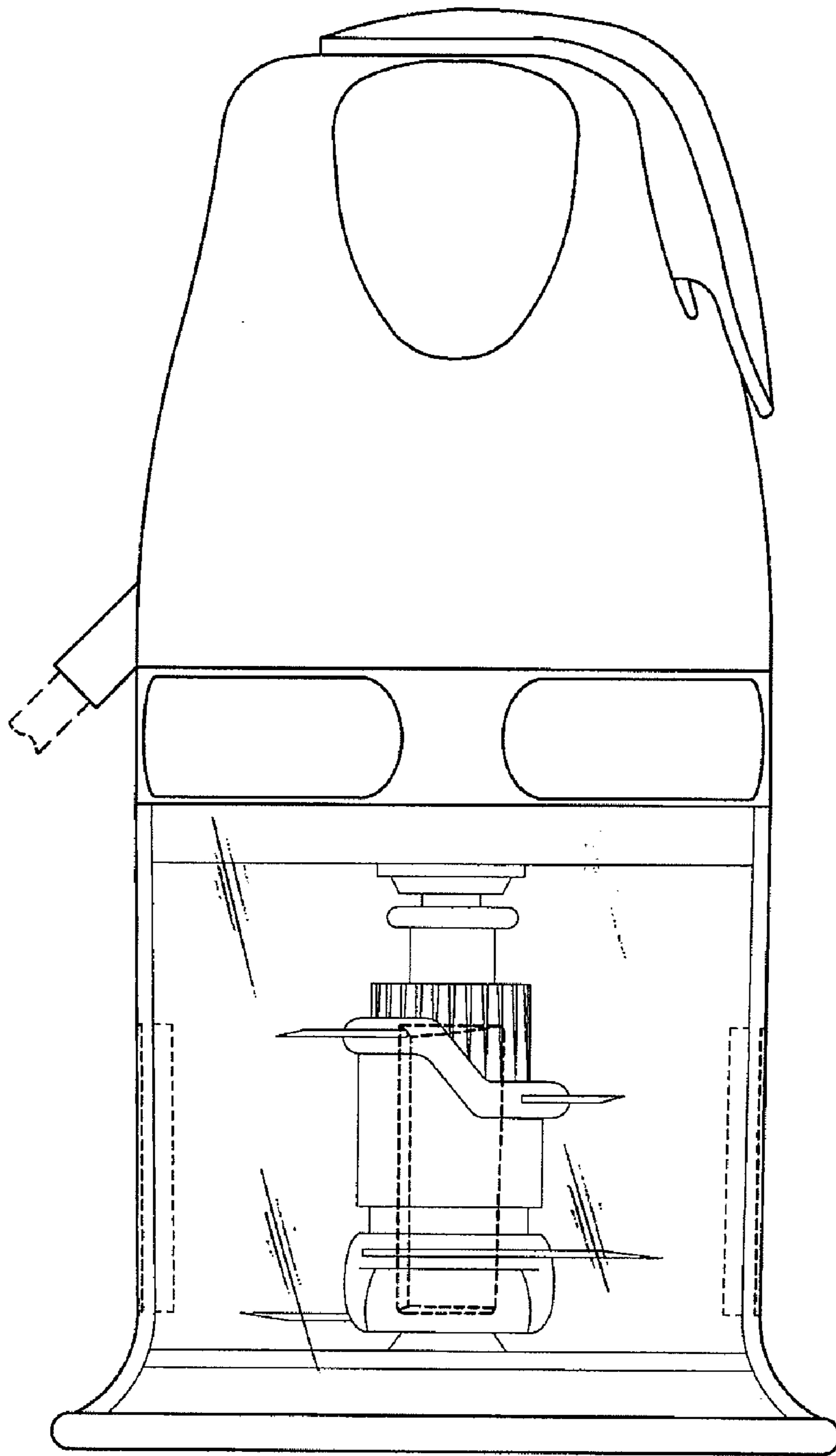


FIG.5

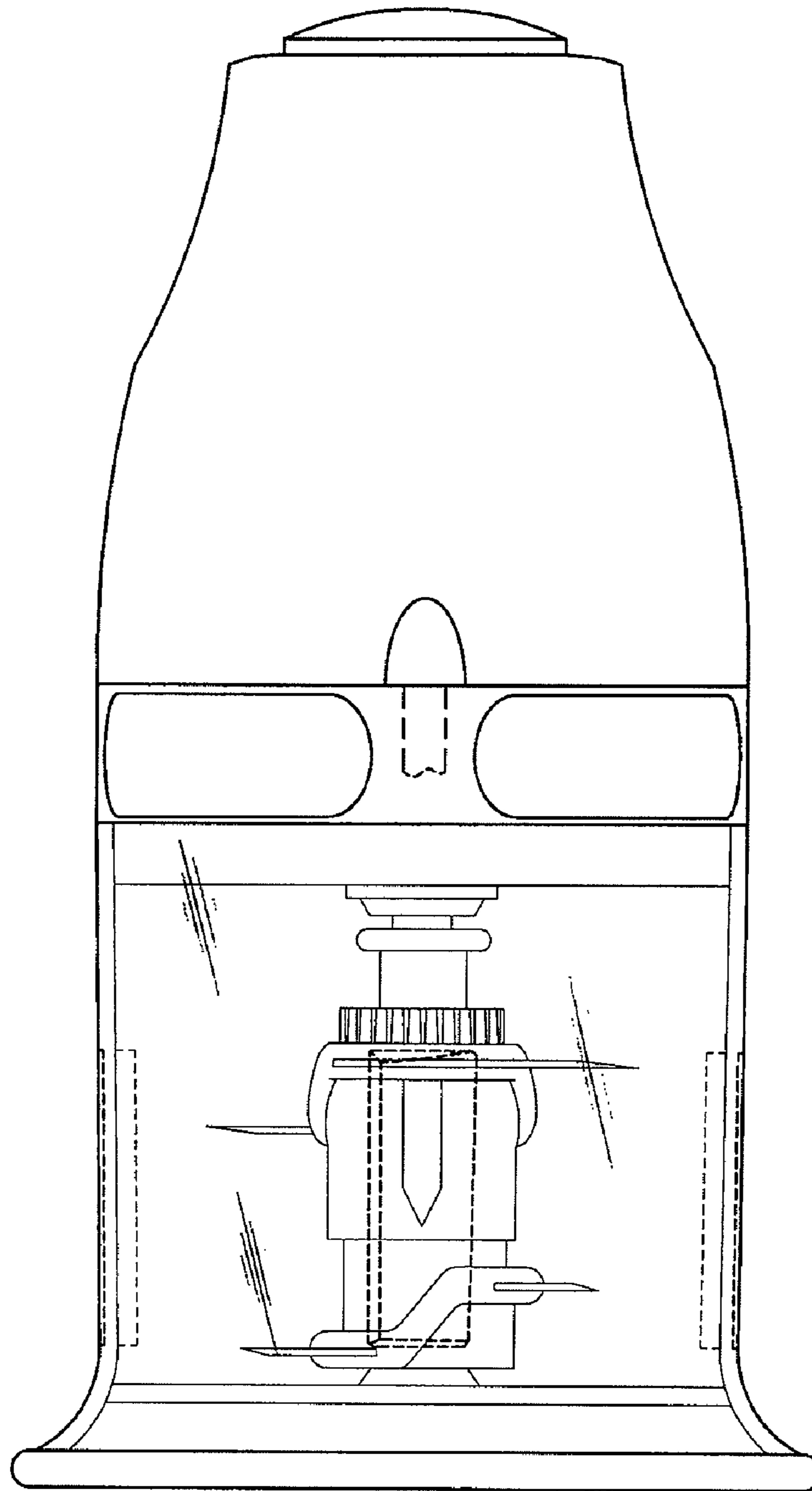
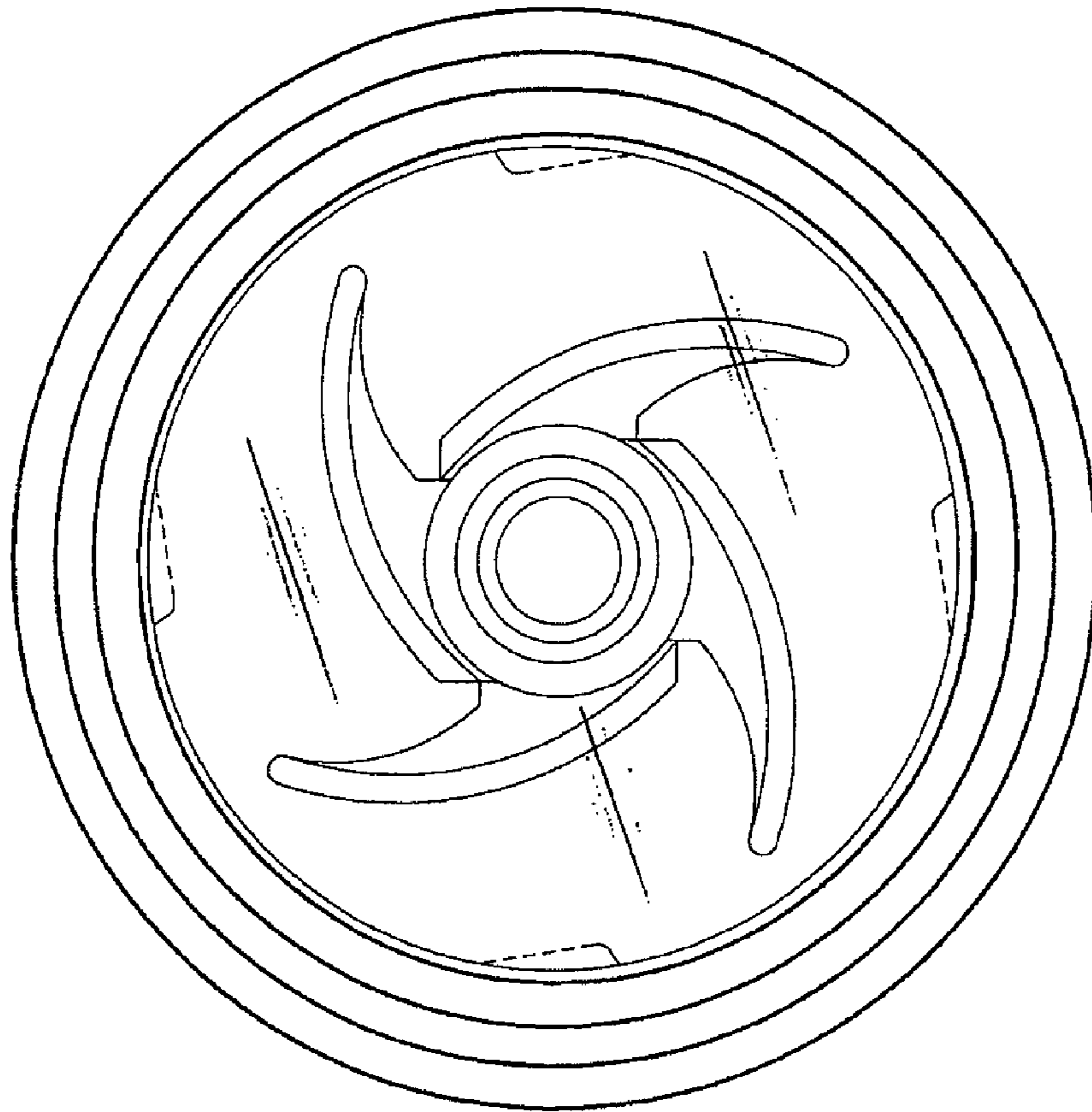


FIG. 6



**FIG. 7**