



US00D622092S

(12) **United States Design Patent**
Picozza et al.

(10) **Patent No.:** **US D622,092 S**

(45) **Date of Patent:** **** Aug. 24, 2010**

(54) **TOASTER**

(75) Inventors: **Augusto Picozza**, Boca Raton, FL (US);
Douglas Goodner, Weston, FL (US);
Robert J. Kelley, The Woodlands, TX
(US)

(73) Assignee: **Sunbeam Products, Inc.**, Boca Raton,
FL (US)

(**) Term: **14 Years**

(21) Appl. No.: **29/354,440**

(22) Filed: **Jan. 25, 2010**

(51) **LOC (9) Cl.** **07-02**

(52) **U.S. Cl.** **D7/330**

(58) **Field of Classification Search** D7/306–308,
D7/323, 328–333, 340–341, 346, 354–365,
D7/367, 385, 390, 402, 405–411, 665; 99/326–327,
99/331–332, 341, 357, 375, 385–389, 392,
99/646 R; 219/214, 388, 392, 405, 443.1,
219/450.1, 489, 492, 532; 426/233, 523
See application file for complete search history.

(56) **References Cited**

U.S. PATENT DOCUMENTS

D144,870 S *	5/1946	Platkin	D7/329
D158,210 S *	4/1950	Madl	D7/330
D394,983 S *	6/1998	Garrett et al.	D7/330
D502,629 S *	3/2005	Guyett et al.	D7/330
D502,839 S *	3/2005	Cuffaro et al.	D7/330

D509,702 S *	9/2005	Picozza et al.	D7/330
D510,676 S *	10/2005	Picozza et al.	D7/330
D520,801 S *	5/2006	Cuffaro et al.	D7/330
D523,683 S *	6/2006	Guyett et al.	D7/330
D527,568 S *	9/2006	Page et al.	D7/330
D593,357 S *	6/2009	Picozza et al.	D7/330
D593,358 S *	6/2009	Kim et al.	D7/330
D613,546 S *	4/2010	Picozza et al.	D7/330

* cited by examiner

Primary Examiner—Caron Veynar

Assistant Examiner—Ricky Pham

(74) *Attorney, Agent, or Firm*—Seth M. Blum

(57) **CLAIM**

The ornamental design for a toaster, as shown and described.

DESCRIPTION

FIG. 1 is a front perspective view of the toaster showing the new design;

FIG. 2 is a front elevation view thereof;

FIG. 3 is a back elevation view thereof;

FIG. 4 is a top plan view thereof;

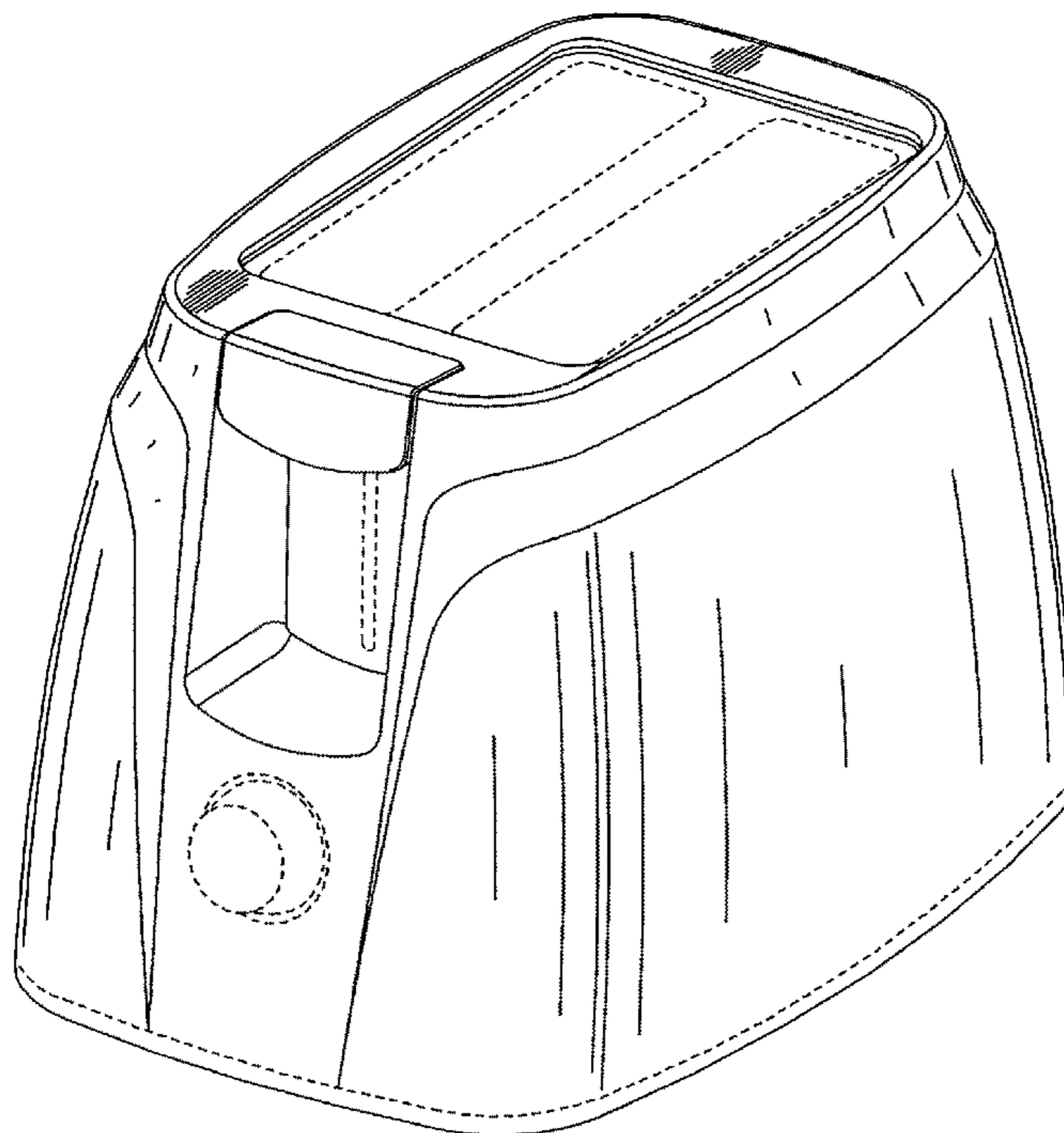
FIG. 5 is a bottom plan view thereof;

FIG. 6 is a left side elevation view thereof; and,

FIG. 7 is a right side elevation view thereof.

The broken lines in the drawings are for illustrative purposes only and form no part of the claimed design.

1 Claim, 7 Drawing Sheets



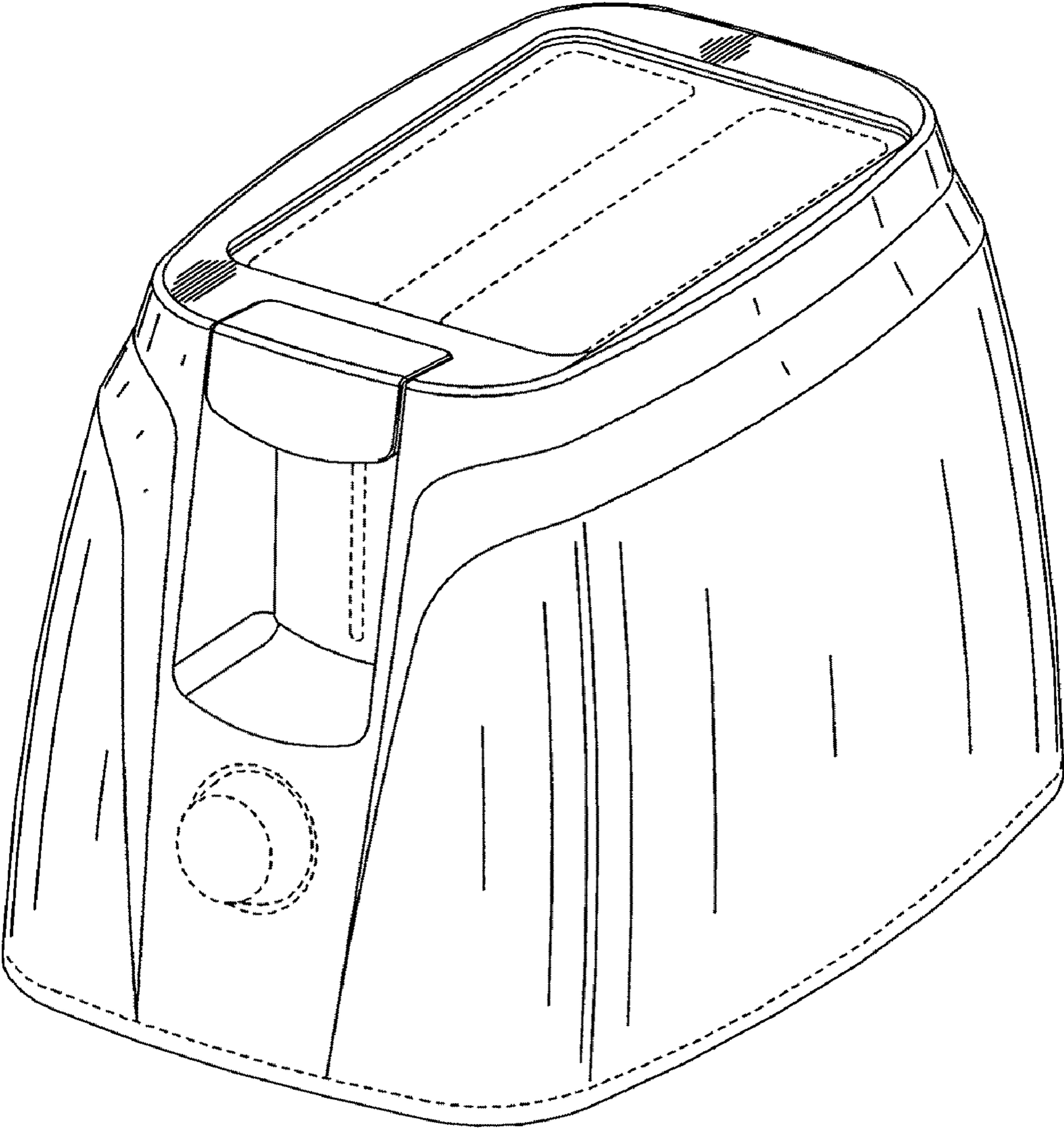


FIG 1

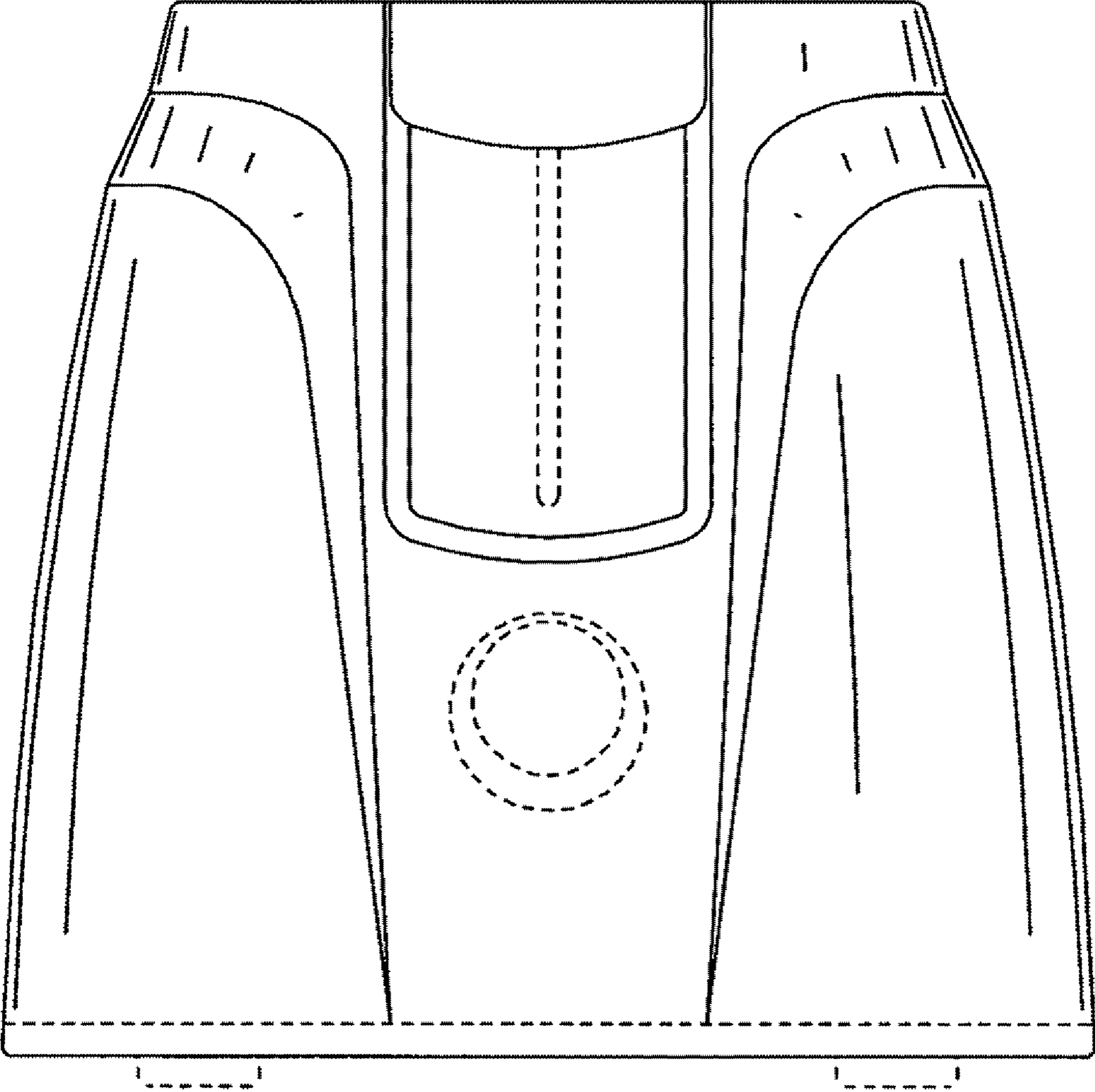


FIG 2

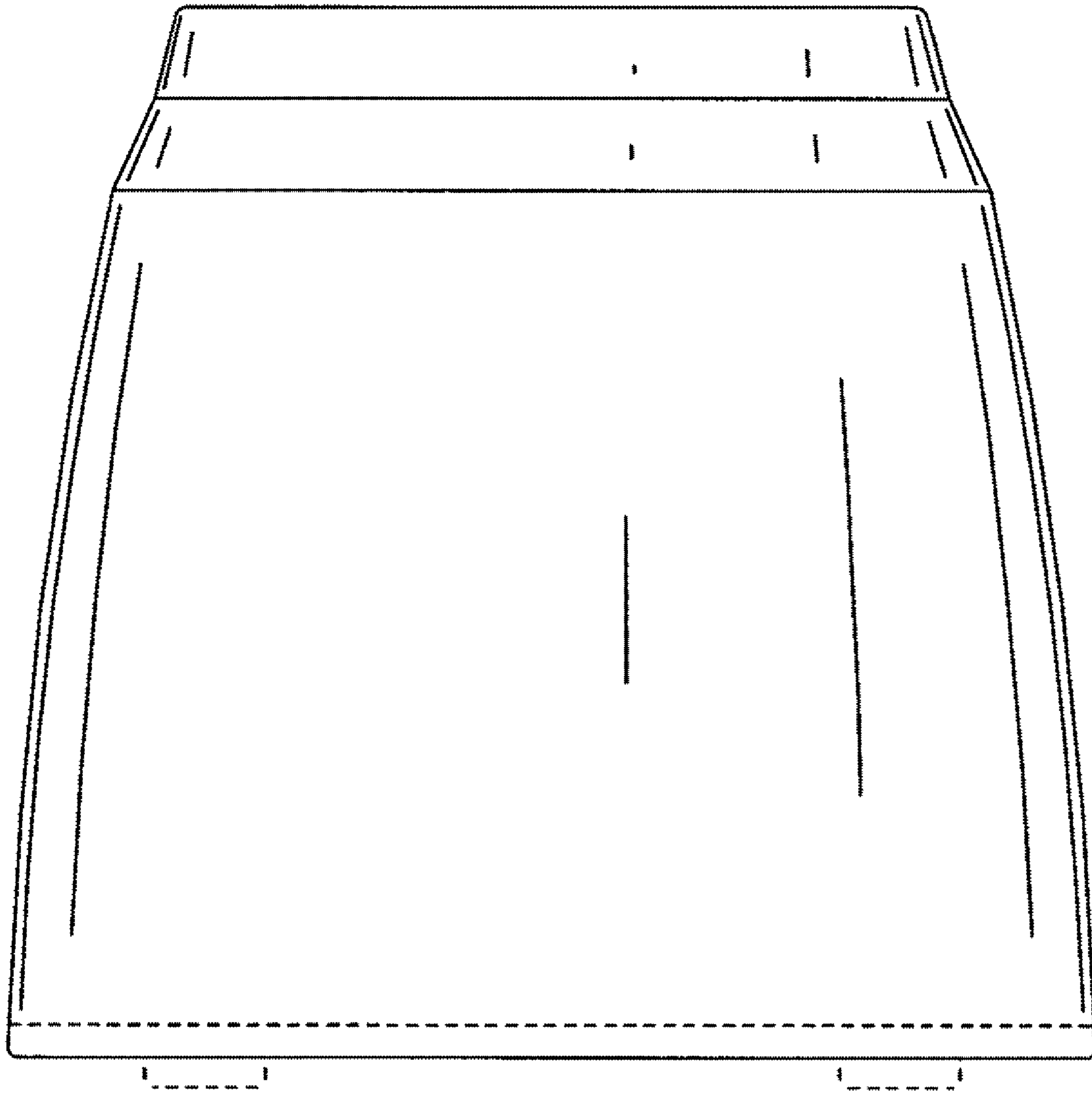


FIG 3

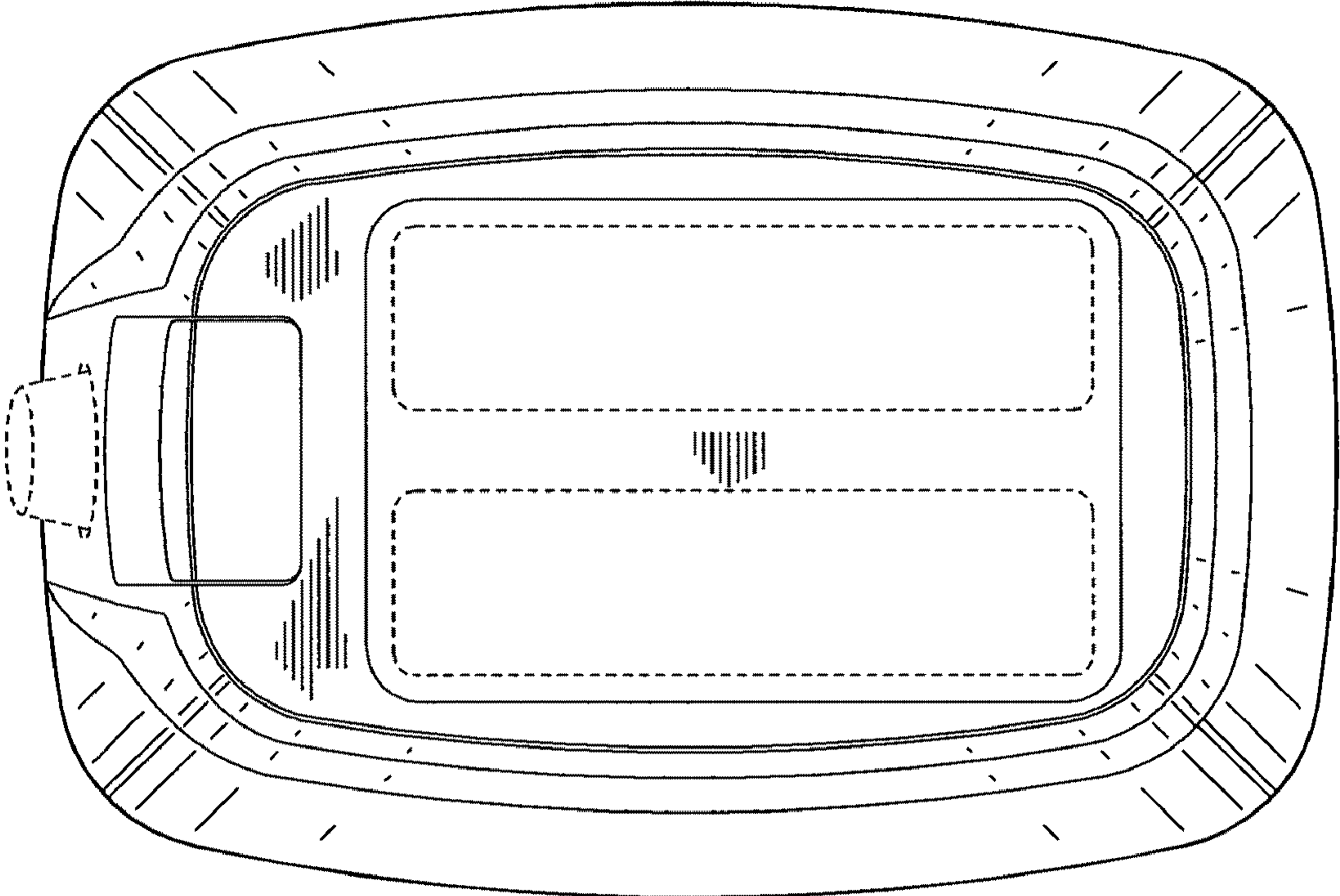


FIG 4

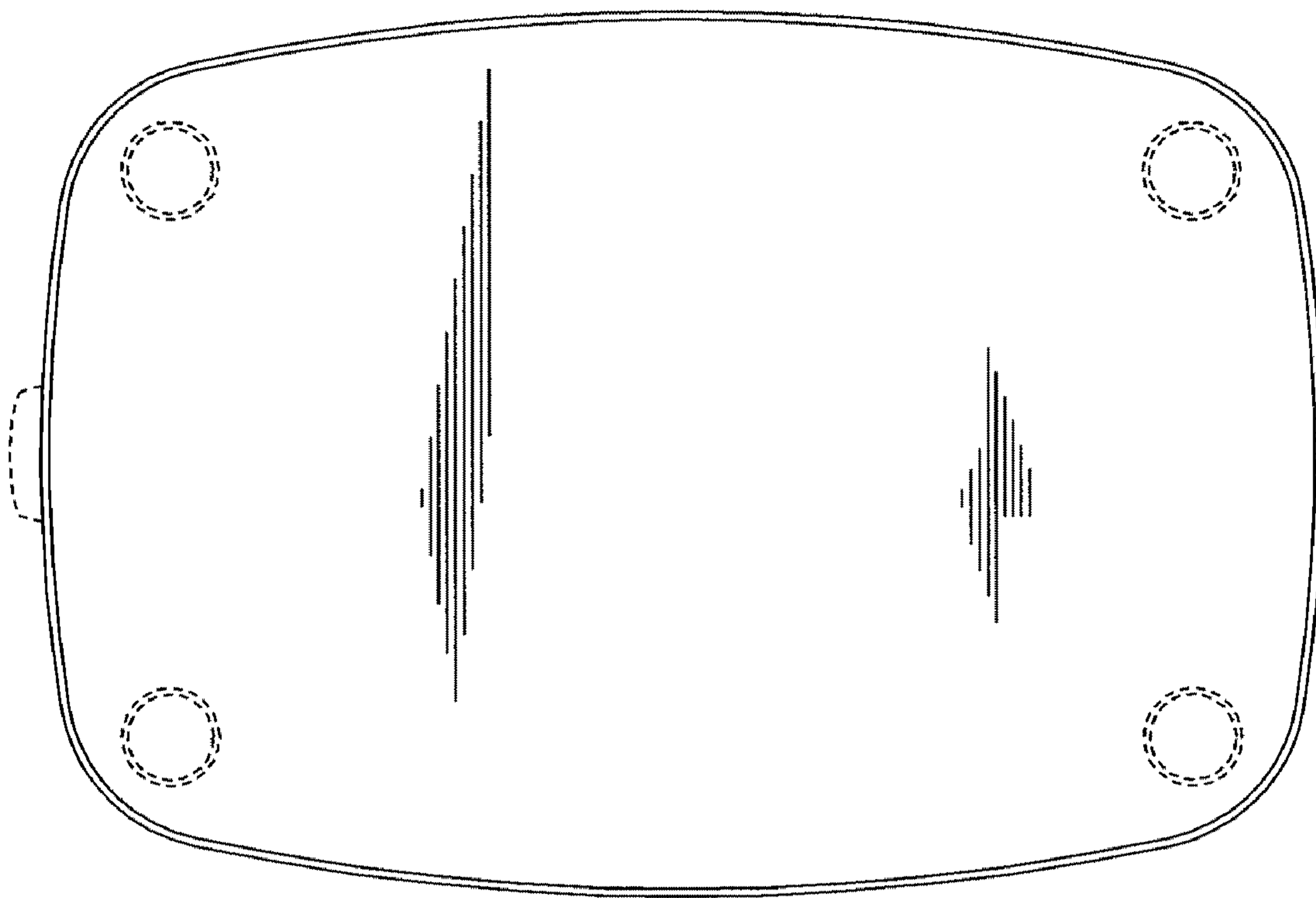


FIG 5

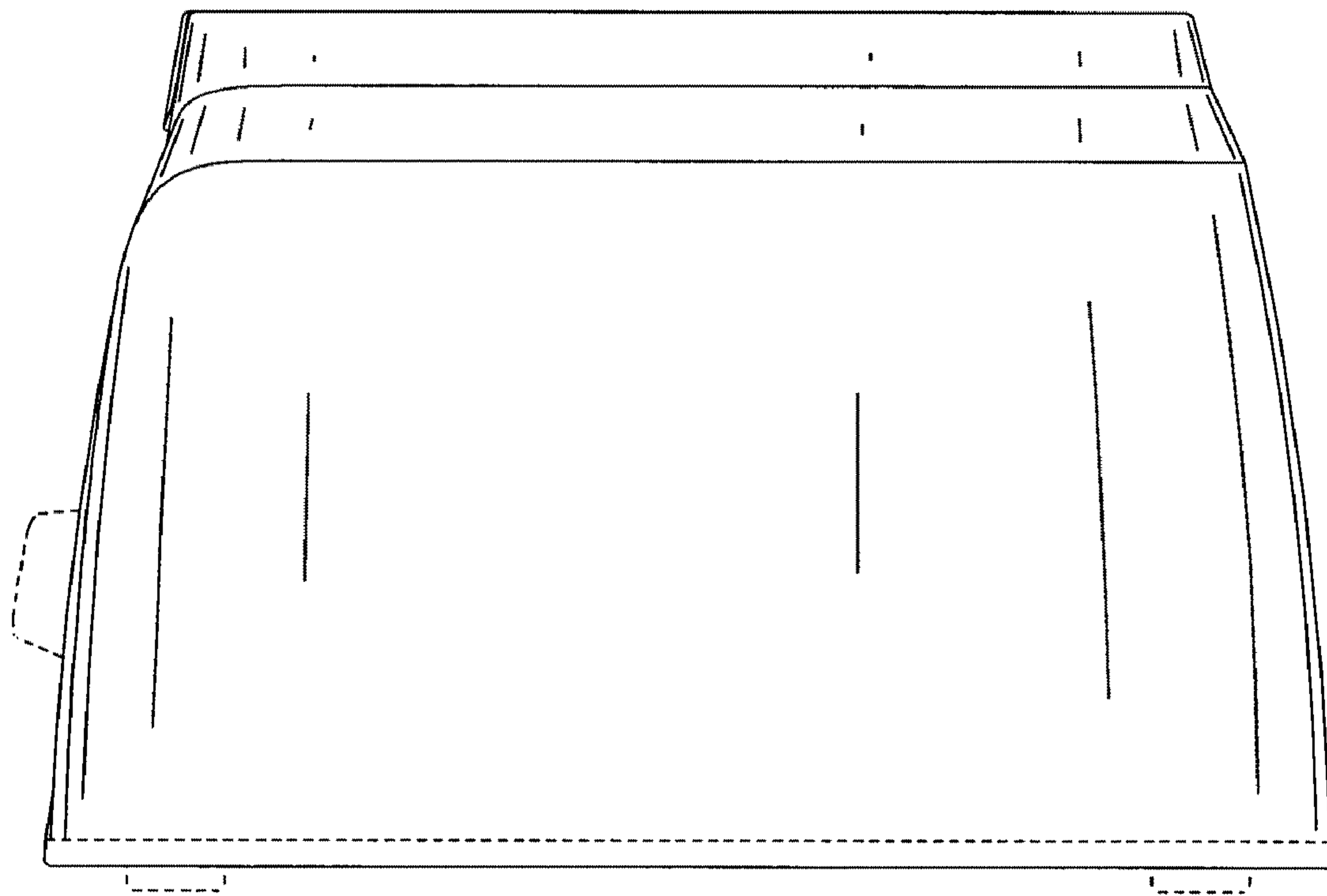


FIG 6

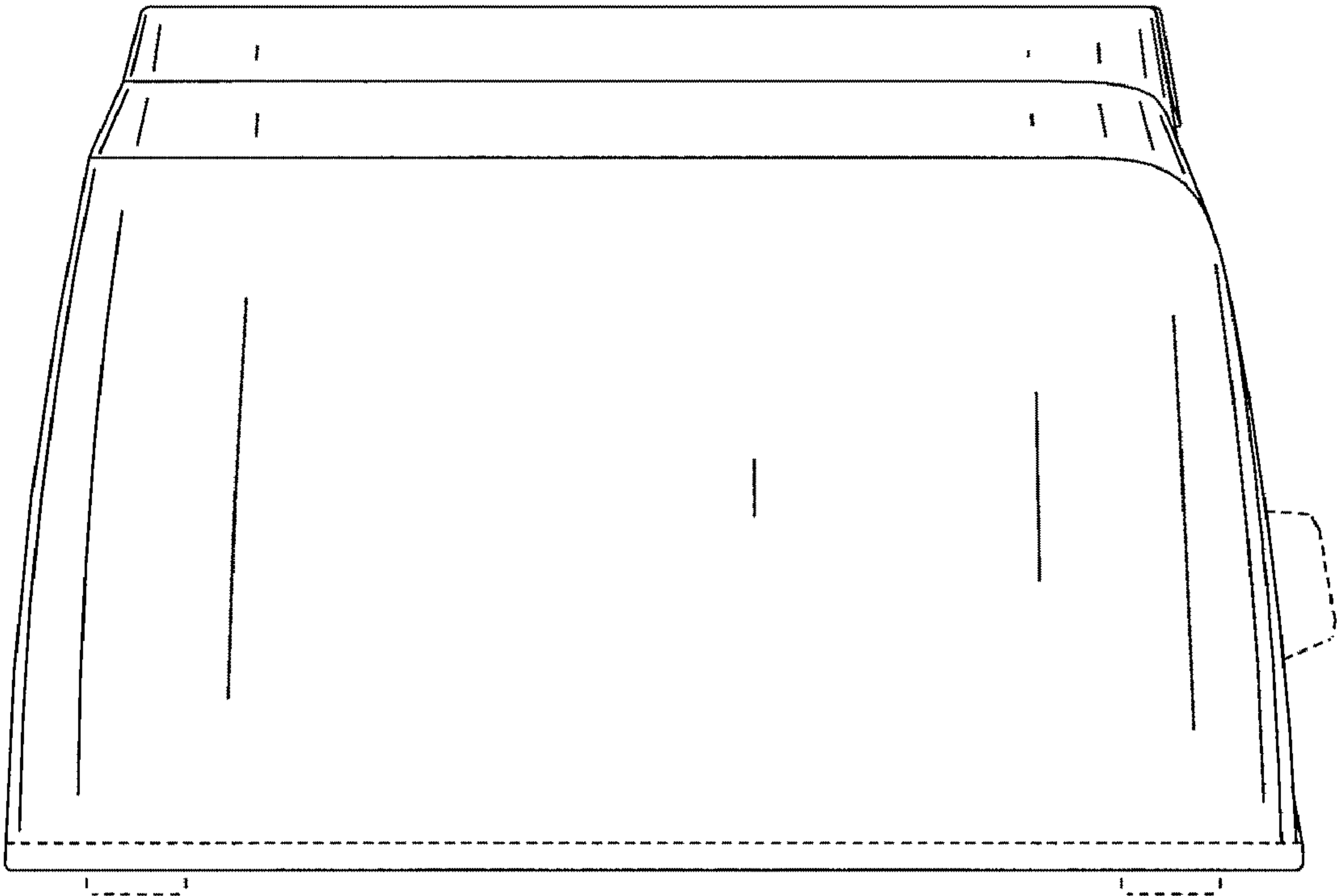


FIG 7