



US00D622091S

(12) **United States Design Patent**  
**Knox et al.**

(10) **Patent No.:** **US D622,091 S**  
(45) **Date of Patent:** **\*\* Aug. 24, 2010**

(54) **TOASTER**

4,487,115 A 12/1984 Su

(75) Inventors: **Alexander Stuart Knox**, Malmesbury (GB); **James Dyson**, Malmesbury (GB); **Peter David Gammack**, Malmesbury (GB); **Christopher Michael Kawomera Nyonyintono**, Malmesbury (GB); **Gordon James Howes**, Malmesbury (GB)

(Continued)

FOREIGN PATENT DOCUMENTS

DE 7436237 8/1975

(Continued)

(73) Assignee: **Dyson Limited**, Wiltshire (GB)

(\*\*) Term: **14 Years**

(21) Appl. No.: **29/333,285**

(22) Filed: **Mar. 5, 2009**

(30) **Foreign Application Priority Data**

Sep. 16, 2008 (GB) ..... 4008922

(51) **LOC (9) Cl.** ..... **07-02**

(52) **U.S. Cl.** ..... **D7/330**

(58) **Field of Classification Search** ..... D7/306-308, D7/323, 328-333, 340-341, 346, 354-365, D7/367, 385, 390, 402, 405-411, 665; D9/572; D13/158, 162, 162.1, 163; 83/762; 99/326, 99/331-332, 341, 357, 375, 385-389, 392, 99/646 R; 219/214, 388, 392, 405, 443.1, 219/450.1, 492, 532; 222/2; 426/233, 523

See application file for complete search history.

(56) **References Cited**

U.S. PATENT DOCUMENTS

1,820,885 A 8/1931 Le Vine  
1,831,561 A 11/1931 Harris  
D105,779 S 8/1937 Preston  
2,131,278 A 9/1938 Gough  
2,392,479 A 1/1946 Humbert  
3,416,430 A 12/1968 Hauser  
3,497,281 A 2/1970 Wilde  
D245,608 S 8/1977 Murphy  
D269,680 S 7/1983 Prandelli  
D276,207 S 11/1984 Van Asten

OTHER PUBLICATIONS

International Search Report and Written Opinion mailed Aug. 13, 2008 directed to related international application PCT/GB2008/000941; (13 pages).

(Continued)

*Primary Examiner*—Caron Veynar  
*Assistant Examiner*—Ricky Pham  
(74) *Attorney, Agent, or Firm*—Morrison & Foerster LLP

(57) **CLAIM**

We claim the ornamental design for a toaster, as shown and described.

**DESCRIPTION**

FIG. 1 is a front perspective view of a toaster showing our new design;

FIG. 2 is a front perspective view of the design of FIG. 1 showing the extension of a door from the front thereof;

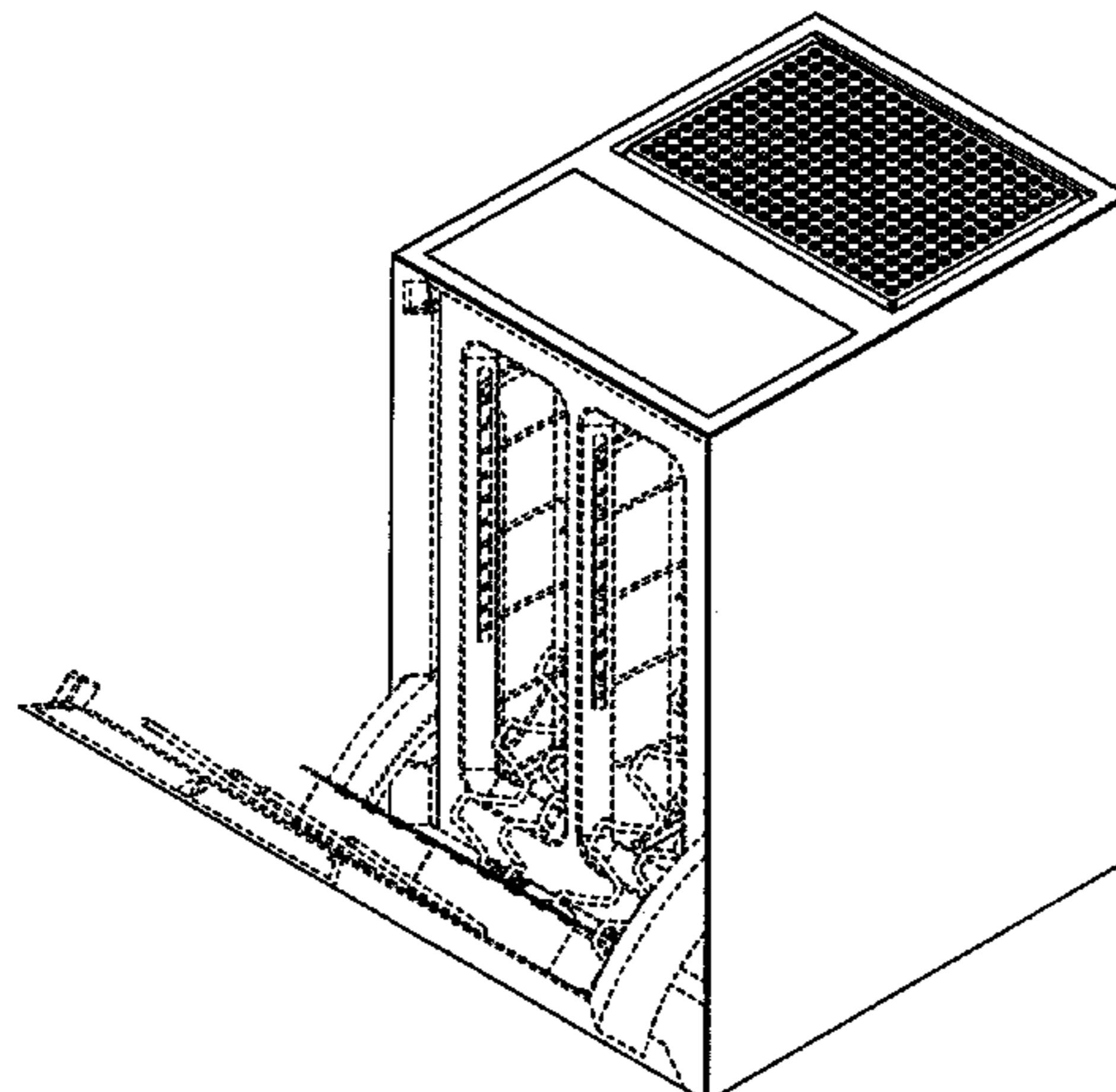
FIG. 3 is a front view thereof; and,

FIG. 4 is a top plan view thereof.

The rear, side and bottom views do not contain features of the design applicants intend to claim and are accordingly omitted.

The broken lines shown in the drawings are for illustrative purposes only and form no part of the claimed design.

**1 Claim, 4 Drawing Sheets**



# US D622,091 S

Page 2

## U.S. PATENT DOCUMENTS

4,736,896	A	4/1988	Wagner	
D298,997	S *	12/1988	Mezey .....	D7/330
4,936,515	A	6/1990	Poag et al.	
4,971,259	A	11/1990	Nidiffer	
4,974,751	A	12/1990	King	
5,172,868	A	12/1992	Midden	
D340,832	S	11/1993	Macchi	
D358,427	S	5/1995	Gobindram	
5,528,980	A *	6/1996	McClellan .....	99/389
5,570,816	A	11/1996	LaBarbera, Jr.	
5,632,449	A	5/1997	Sandolo	
5,690,013	A *	11/1997	Kanarek et al. ....	83/762
5,782,380	A *	7/1998	DiSanto .....	222/2
5,823,422	A	10/1998	Collier et al.	
6,019,030	A	2/2000	Kettman	
D423,861	S	5/2000	Graffius	
6,267,044	B1	7/2001	Friel	
D454,464	S *	3/2002	Mogler et al. ....	D7/307
6,435,081	B1 *	8/2002	Williams .....	99/646 R
6,484,626	B1	11/2002	Tsai et al.	
6,539,840	B2 *	4/2003	Choi et al. ....	99/331
D475,234	S	6/2003	Takase et al.	
D482,231	S	11/2003	Dickson, Jr. et al.	
6,675,700	B2	1/2004	Hong	
6,860,764	B2	3/2005	Khoury	
7,043,929	B2	5/2006	Wang	
7,189,945	B2	3/2007	Starr et al.	
D547,136	S	7/2007	Spagnolo	
D552,411	S	10/2007	Plante et al.	
D563,234	S *	3/2008	Moreno .....	D9/572
7,354,612	B2	4/2008	Friel	
D570,636	S	6/2008	Kulujian et al.	
D571,597	S	6/2008	Glucksman et al.	
D577,244	S	9/2008	Cahen	
D587,511	S	3/2009	Buttler	
D595,991	S	7/2009	Zimmerman	
D598,232	S *	8/2009	Adachi .....	D7/308
D598,236	S	8/2009	Dyson et al.	
D601,847	S *	10/2009	Gammack et al. ....	D7/306
D603,649	S *	11/2009	Chung et al. ....	D7/330
D604,121	S *	11/2009	Gammack et al. ....	D7/665
2005/0178757	A1	8/2005	Starr	
2008/0277512	A1	11/2008	Vuijk	
2009/0071347	A1 *	3/2009	Lee .....	99/341

2009/0095728	A1	4/2009	Dyson et al.
2009/0095729	A1	4/2009	Dyson et al.
2009/0139409	A1	6/2009	Hall et al.

## FOREIGN PATENT DOCUMENTS

EP	0153549	9/1985
EP	0236549	9/1987
EP	0736279	10/1996
EP	0804894	11/1997
EP	0864510	9/1998
EP	1323367	7/2003
EP	1493366	1/2005
FR	2544185	10/1984
GB	2253178	9/1992
JP	59-55157	3/1984
RU	2076573	4/1997
SU	1540776	12/1987
WO	WO 00/27262	A1 5/2000
WO	WO-01/48711	7/2001
WO	WO-01/52704	A1 7/2001
WO	WO-2004/105184	12/2004

## OTHER PUBLICATIONS

GB Search Report, dated Feb. 1, 2008, directed to related GB Application No. GB0720147.8; (1 page).

GB Search Report, dated Jul. 16, 2007, directed to related GB Application No. GB0705363.0; (1 page).

GB Search Report, dated Aug. 30, 2007, directed to related GB Application No. GB0705363.0; (2 pages).

International Search Report and Written Opinion mailed Mar. 20, 2009 directed to related international application PCT/GB2008/003267; (10 pages).

GB Search Report, dated Apr. 10, 2008, directed to related GB Application No. GB0723541.9; (1 page).

GB Search Report, dated Feb. 26, 2009, directed to related GB Application No. GB0820141.0; (1 page).

International Search Report and Written Opinion mailed Mar. 20, 2009 directed to related international application PCT/GB2008/003266; (10 pages).

GB Search Report, dated Feb. 14, 2008, directed to related GB Application No. GB0720132.0; (1 page).

Vuijk, R. U.S. Office Action mailed Dec. 30, 2009, directed to a related U.S. Appl. No. 12/052,622; 4 pages.

\* cited by examiner

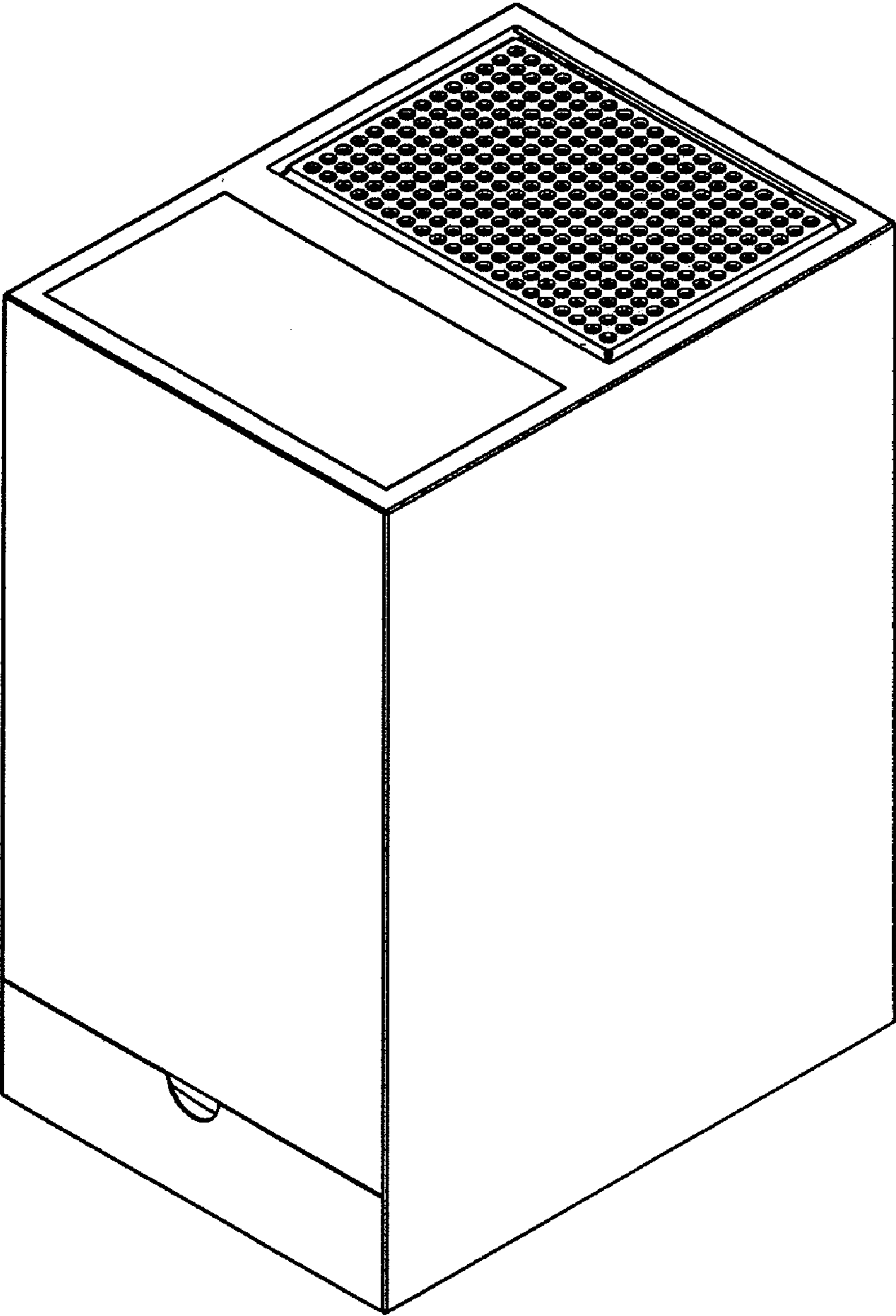


FIG. 1

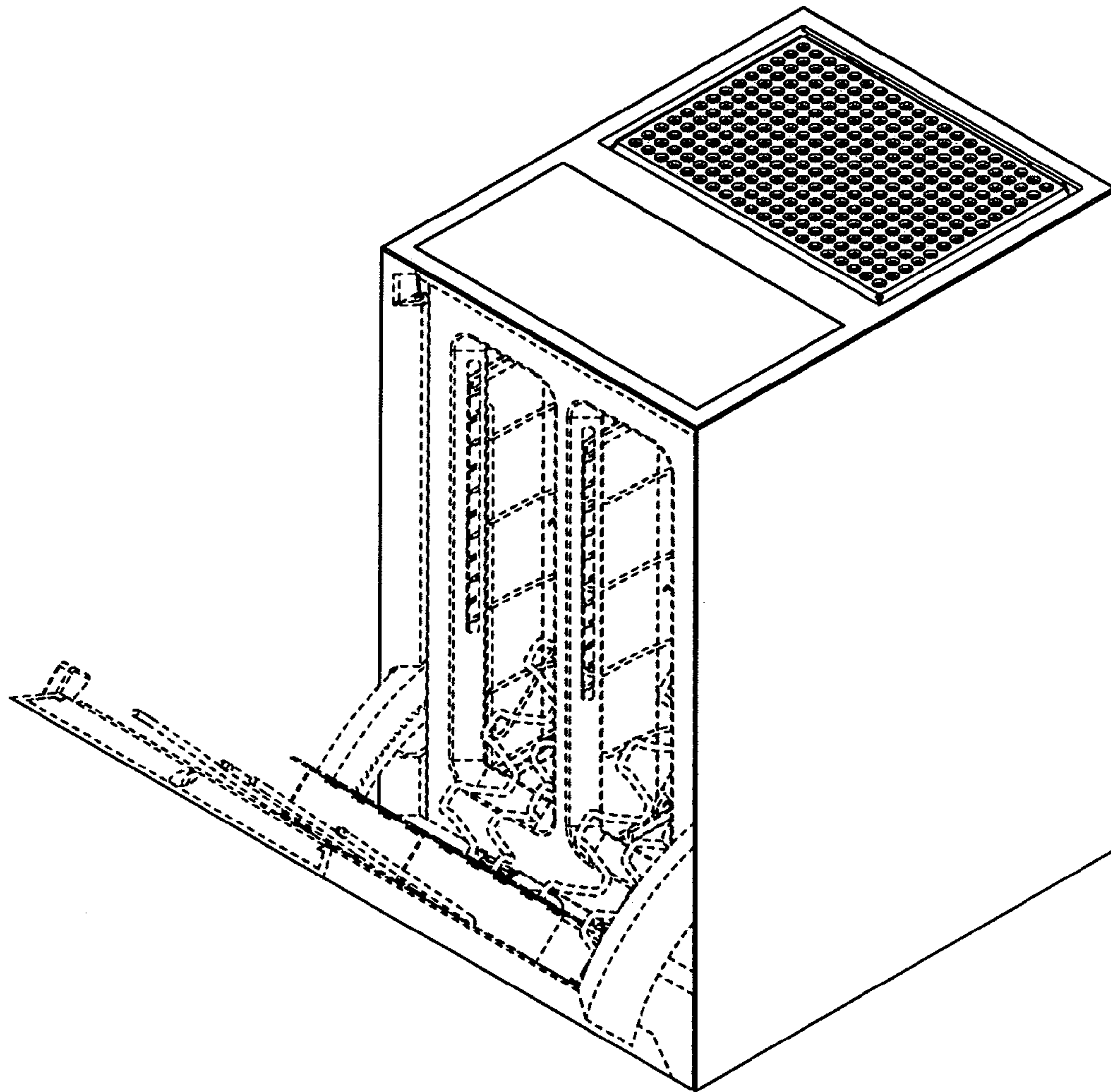


FIG. 2

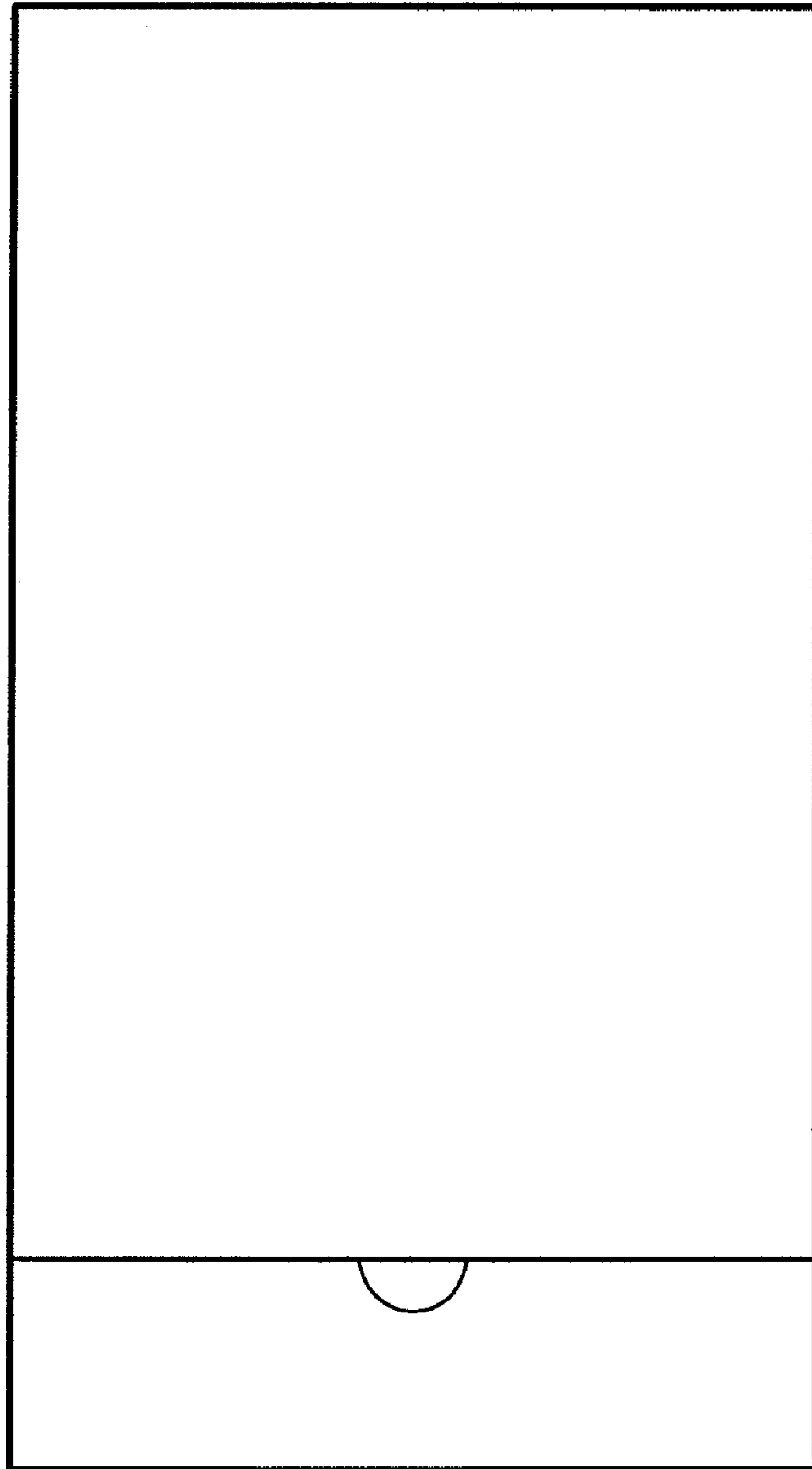


FIG. 3

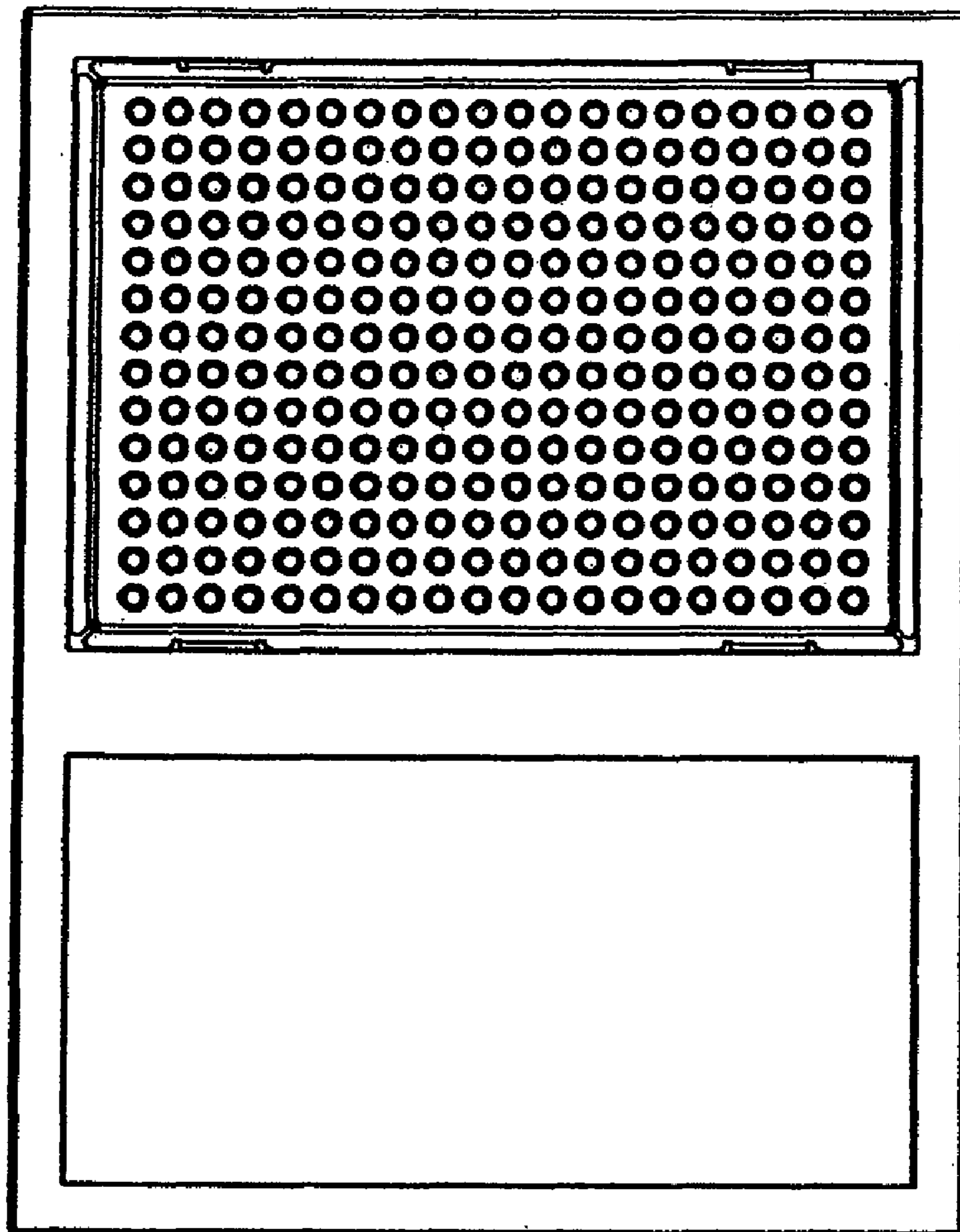


FIG. 4