



US00D622088S

(12) **United States Design Patent**
Morrison

(10) **Patent No.:** **US D622,088 S**
(45) **Date of Patent:** **** Aug. 24, 2010**

(54) **MATTRESS DESIGN**

(75) Inventor: **Leigh Morrison**, Greensboro, NC (US)

(73) Assignee: **Sealy Technology LLC**, Trinity, NC (US)

(**) Term: **14 Years**

(21) Appl. No.: **29/350,724**

(22) Filed: **Nov. 23, 2009**

(51) **LOC (9) Cl.** **06-09**

(52) **U.S. Cl.** **D6/605; D6/596**

(58) **Field of Classification Search** D6/595-601,
D6/604, 605; 5/630, 633, 636-638, 640,
5/644, 648, 652-654, 655.3, 655.6, 655.9,
5/656, 657, 657.5, 690, 691, 696, 738, 499-501,
5/716, 717

See application file for complete search history.

(56) **References Cited**

U.S. PATENT DOCUMENTS

1,841,410	A *	1/1932	Karr	5/500
2,188,576	A *	1/1940	Mulloy	5/498
2,567,082	A *	9/1951	Shuster	128/872
D308,453	S	6/1990	Elrod	
D308,789	S	6/1990	Hackwell	
D356,917	S	4/1995	Marshburn	
D506,098	S	6/2005	Martin et al.	
D509,980	S	9/2005	Martin et al.	
D517,848	S	3/2006	Contreras	
D518,672	S	4/2006	Contreras	
D519,311	S	4/2006	Contreras	
D551,011	S	9/2007	Van Patten	

D551,012	S	9/2007	Van Patten	
D552,397	S	10/2007	Van Patten	
D616,236	S *	5/2010	Morrison	D6/596

* cited by examiner

Primary Examiner—Janice E Seeger

(74) *Attorney, Agent, or Firm*—James C. Scott; Roetzel & Address

(57) **CLAIM**

The ornamental designs for a mattress design, as shown and described.

DESCRIPTION

FIG. 1 is a perspective view of a first embodiment of the mattress design.

FIG. 2 is a side view of the mattress design of FIG. 1, identical to the opposite side view thereof.

FIG. 3 is an end view of the mattress design of FIG. 1.

FIG. 4 is a top view of the mattress design of FIG. 1.

FIG. 5 is a bottom view of the mattress design of FIG. 1.

FIG. 6 is a perspective view of a second embodiment of the mattress design.

FIG. 7 is a side view of the mattress design of FIG. 6.

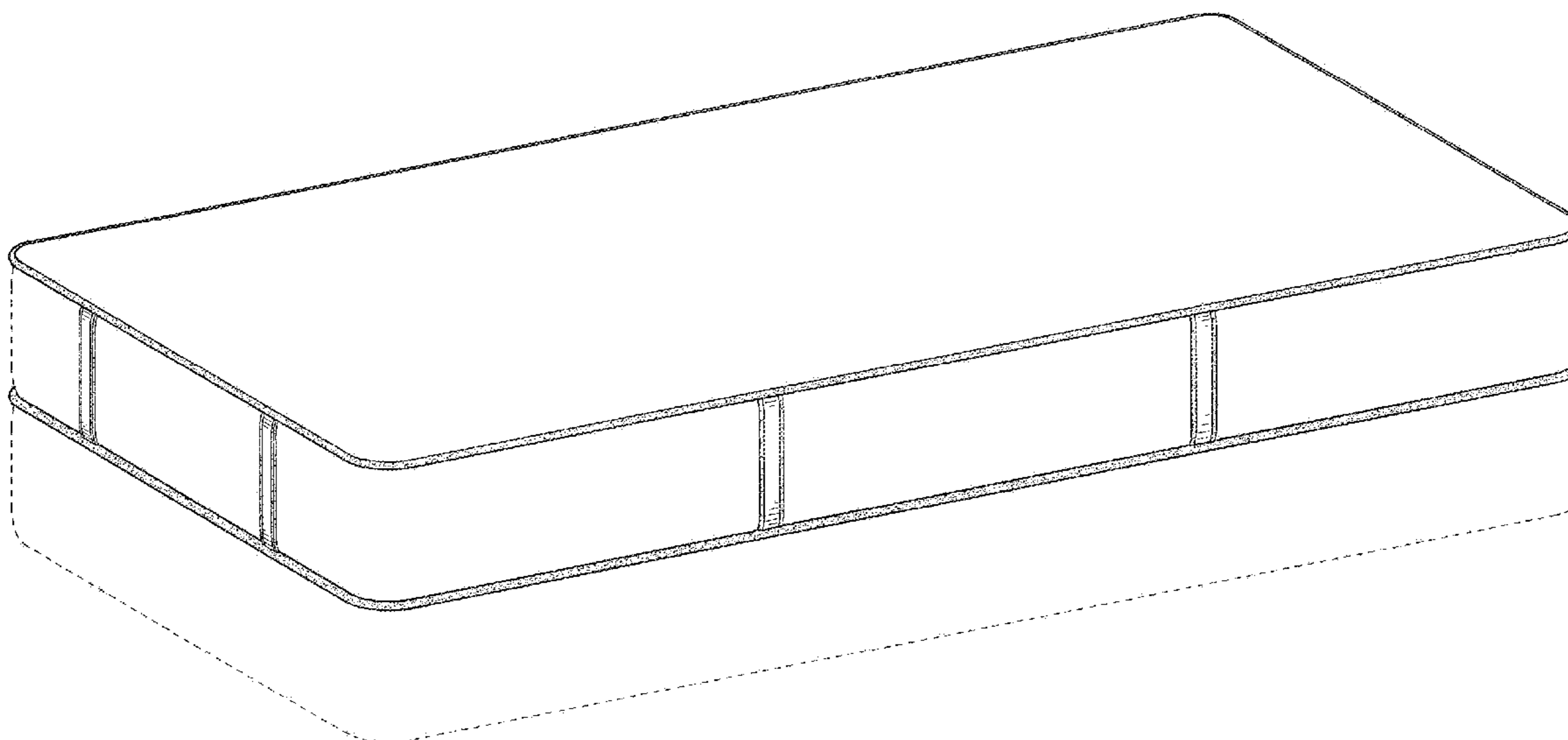
FIG. 8 is an end view of the mattress design of FIG. 6.

FIG. 9 is a top view of the mattress design of FIG. 6; and,

FIG. 10 is a bottom view of the mattress design of FIG. 6.

The broken lines are for environmental purposes only and form no part of the claimed design. The angled shade lines in FIGS. 6-9 depict the color brown.

1 Claim, 8 Drawing Sheets



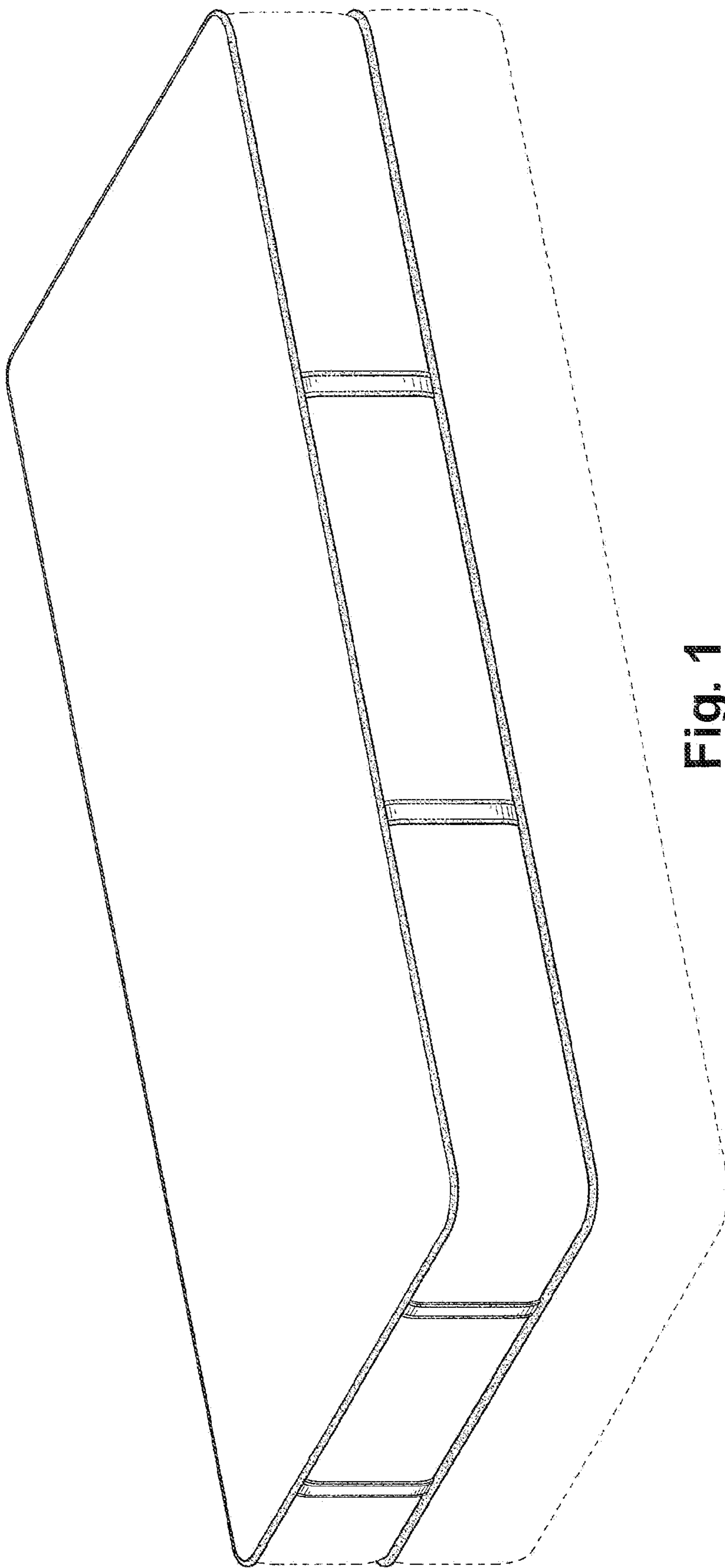


Fig. 1

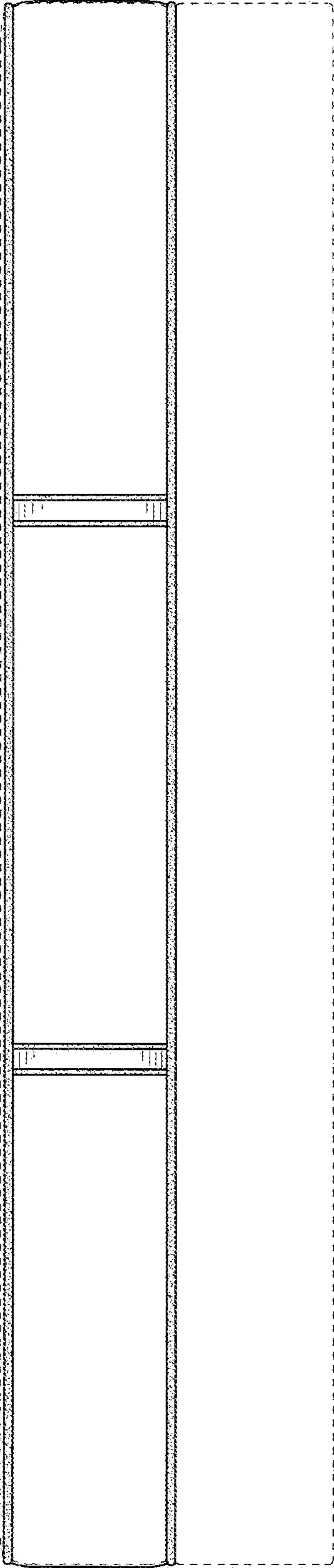


Fig. 2

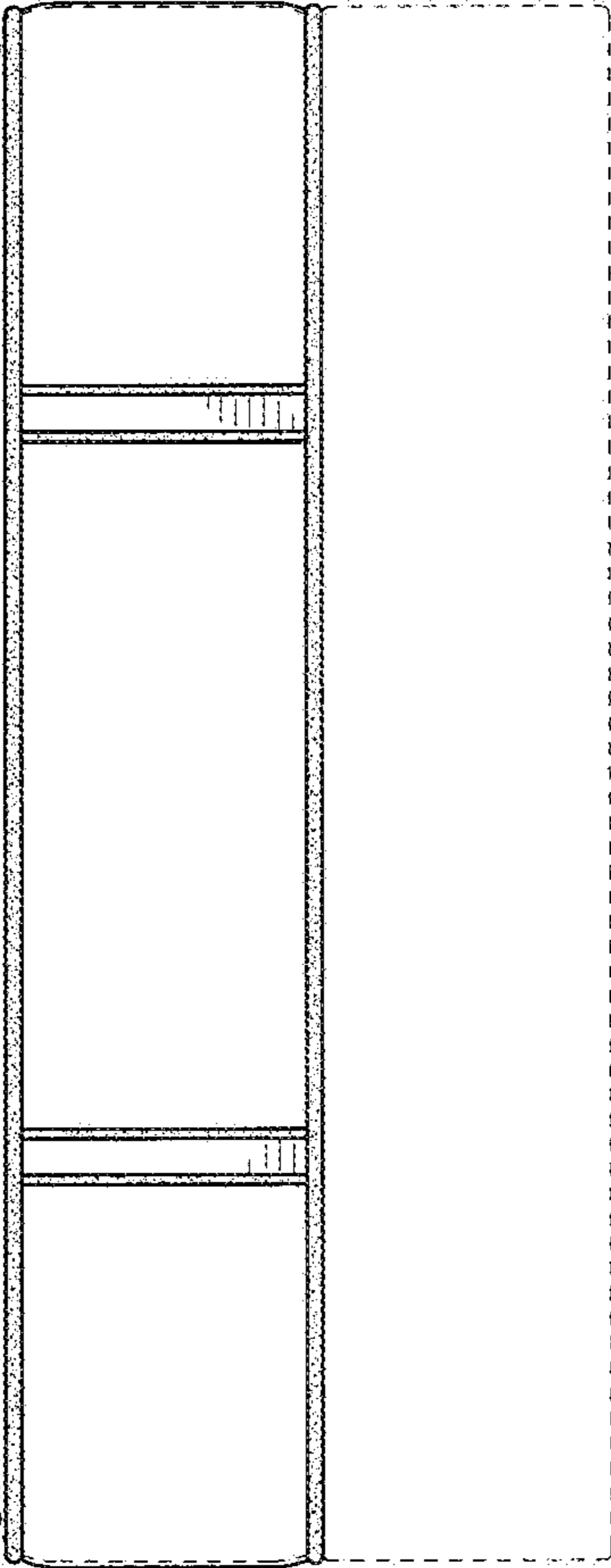


Fig. 3

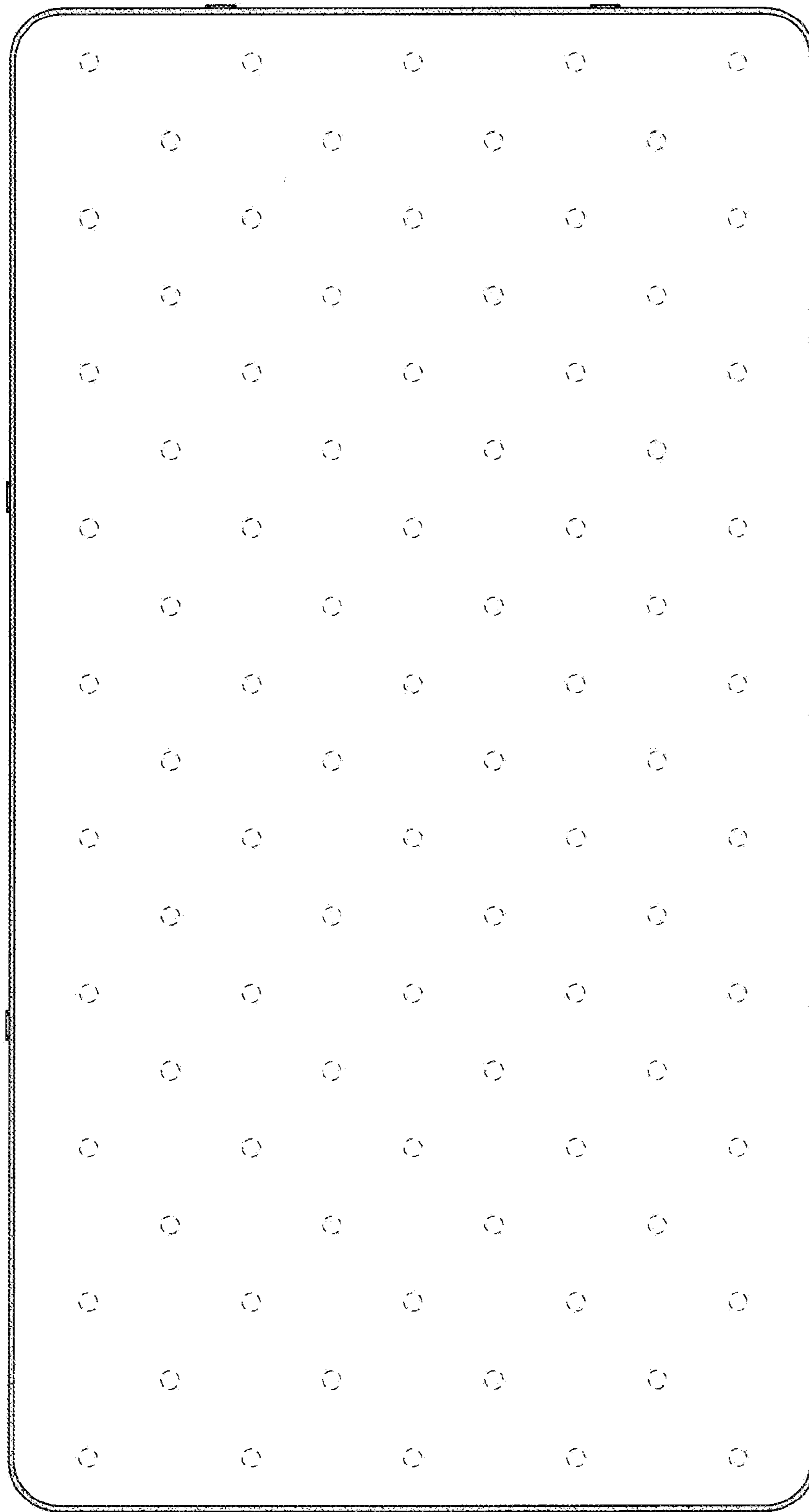


Fig. 4



Fig. 5

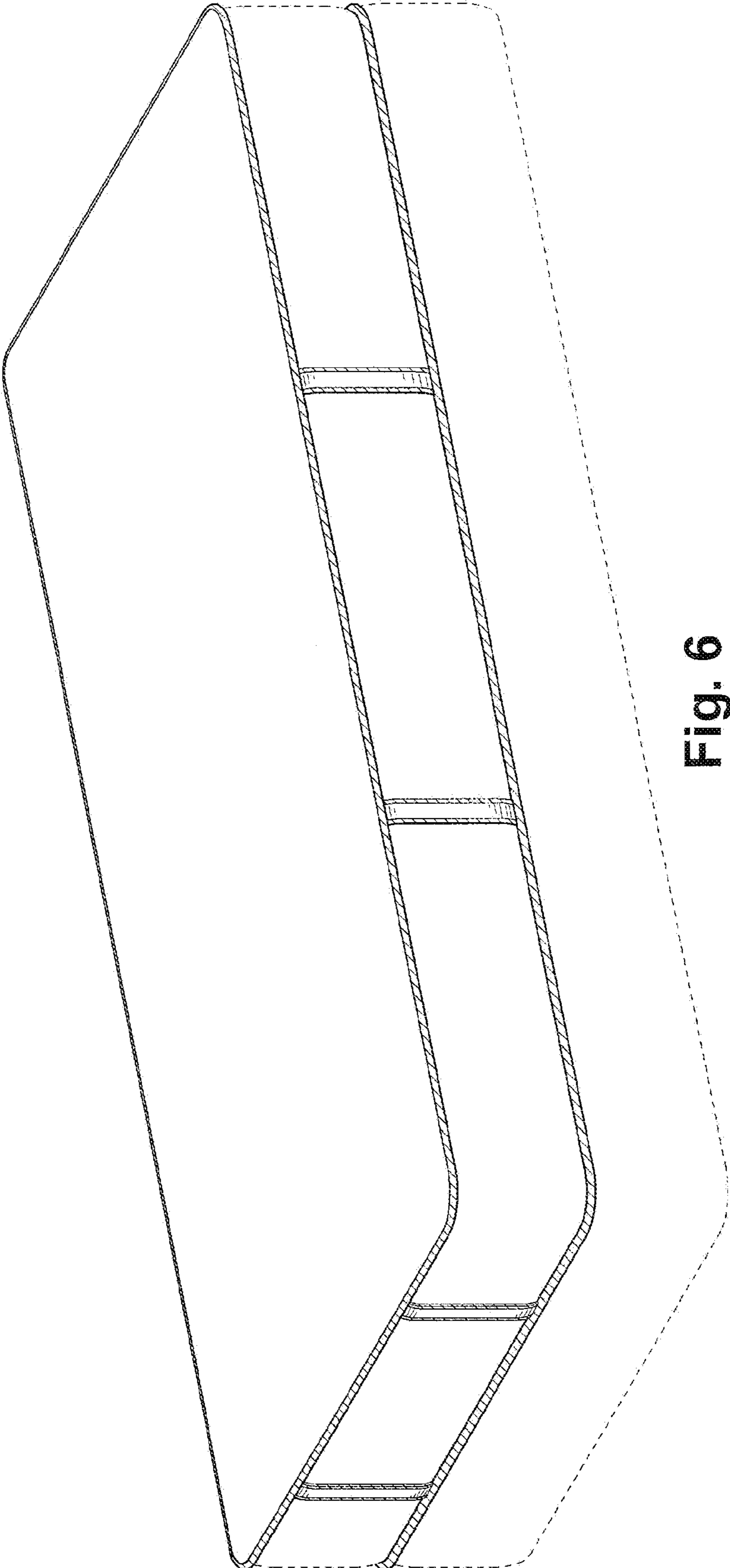


Fig. 6

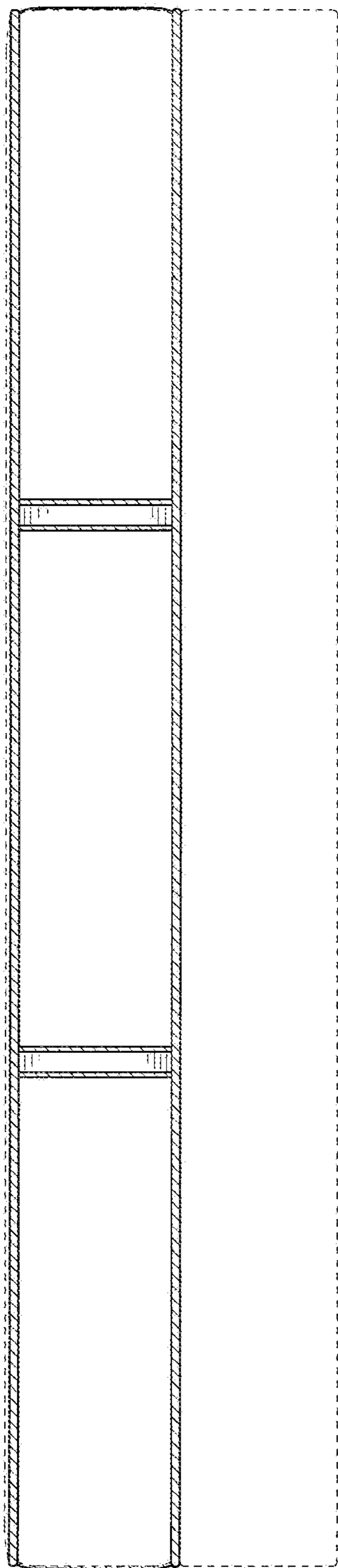


Fig. 7

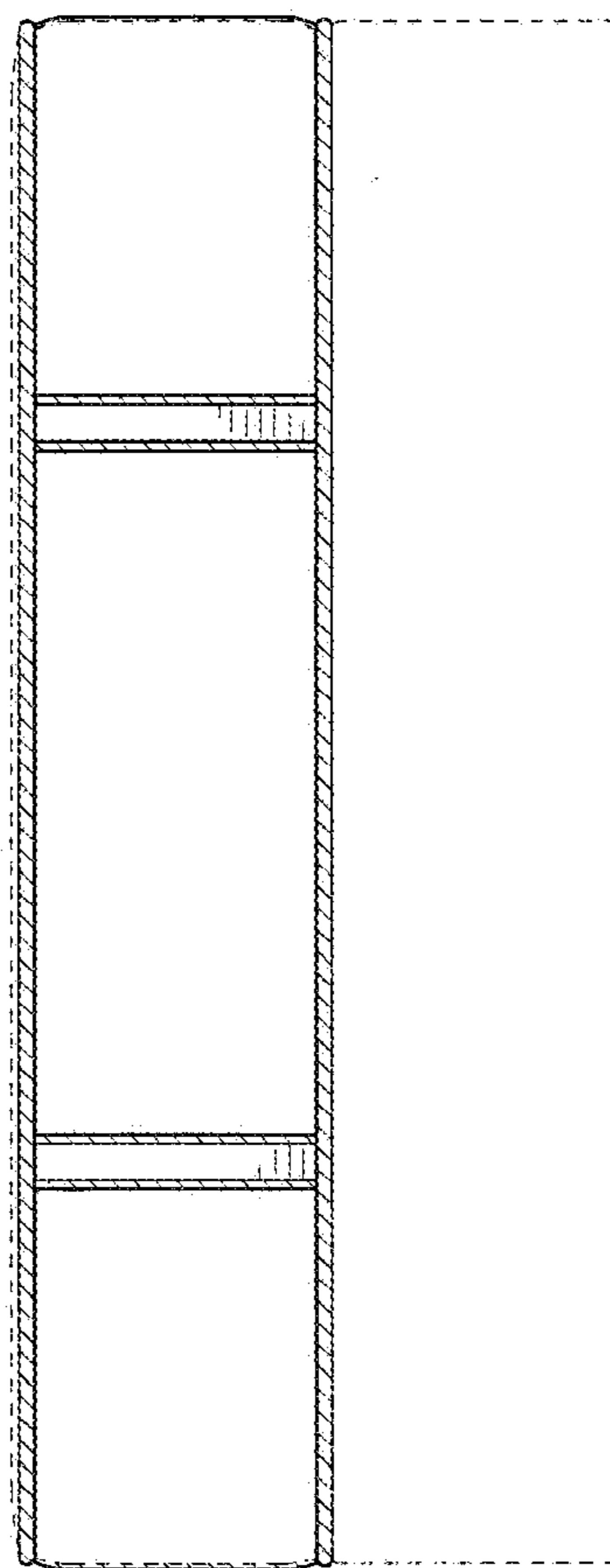


Fig. 8

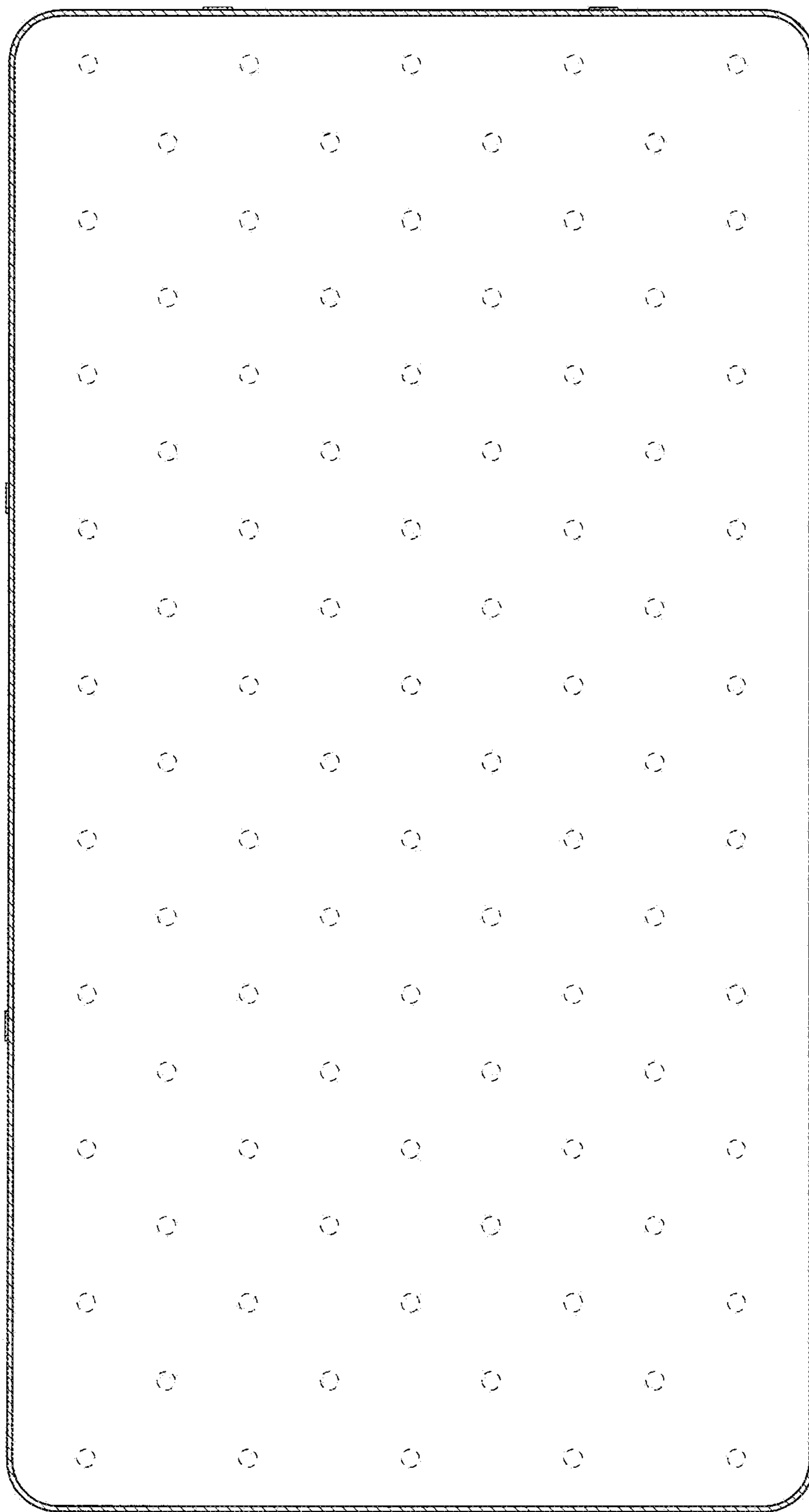


Fig. 9

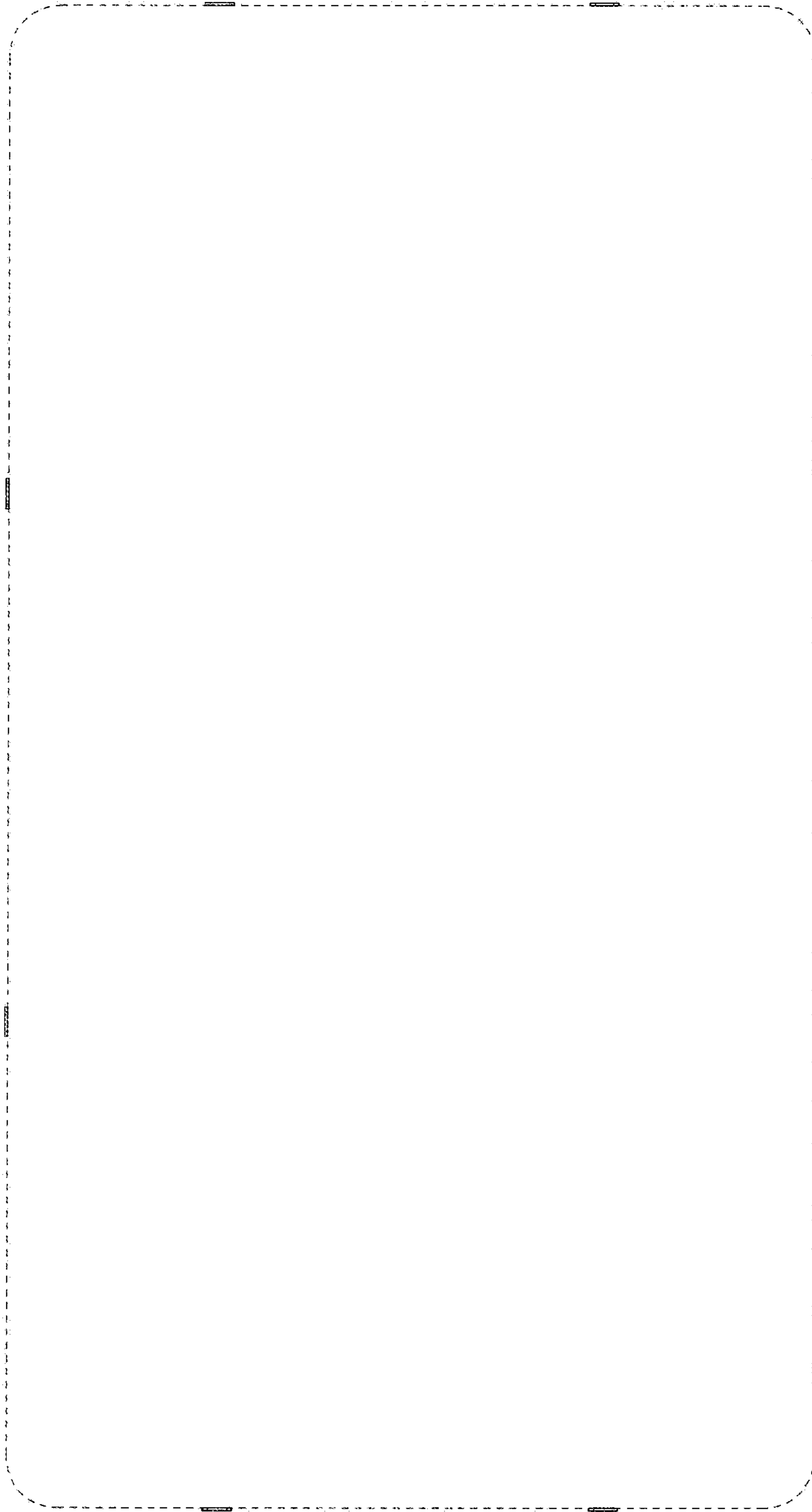


Fig. 10

UNITED STATES PATENT AND TRADEMARK OFFICE
Certificate

Patent No. D622,088 S

Patented: August 24, 2010

On petition requesting issuance of a certificate for correction of inventorship pursuant to 35 U.S.C. 256, it has been found that the above identified patent, through error and without any deceptive intent, improperly sets forth the inventorship.

Accordingly, it is hereby certified that the correct inventorship of this patent is: Leigh Morrison, Greensboro, NC (US); John Shive, High Point, NC (US); and Jeewon Jung, Cambridge, MA (US).

Signed and Sealed this Seventh Day of January 2014.

CARON VEYNAR
Supervisory Patent Examiner
Art Unit 2913
Technology Center 2900



US00D622088C1

(12) **INTER PARTES REEXAMINATION CERTIFICATE** (1648th)
United States Patent
Morrison

(10) **Number:** **US D622,088 C1**
(45) **Certificate Issued:** **Sep. 9, 2021**

(54) **MATTRESS DESIGN**

(75) **Inventor:** **Leigh Morrison**, Greensboro, NC (US)

(73) **Assignee:** **Sealy Technology, LLC**

Reexamination Request:

No. 95/001,535, Jan. 31, 2011

Reexamination Certificate for:

Patent No.: **Des. 622,088**
Issued: **Aug. 24, 2010**
Appl. No.: **29/350,724**
Filed: **Nov. 23, 2009**

(51) **LOC (13) Cl.** **06-09**

(52) **U.S. Cl.**
USPC **D6/605**

(58) **Field of Classification Search**

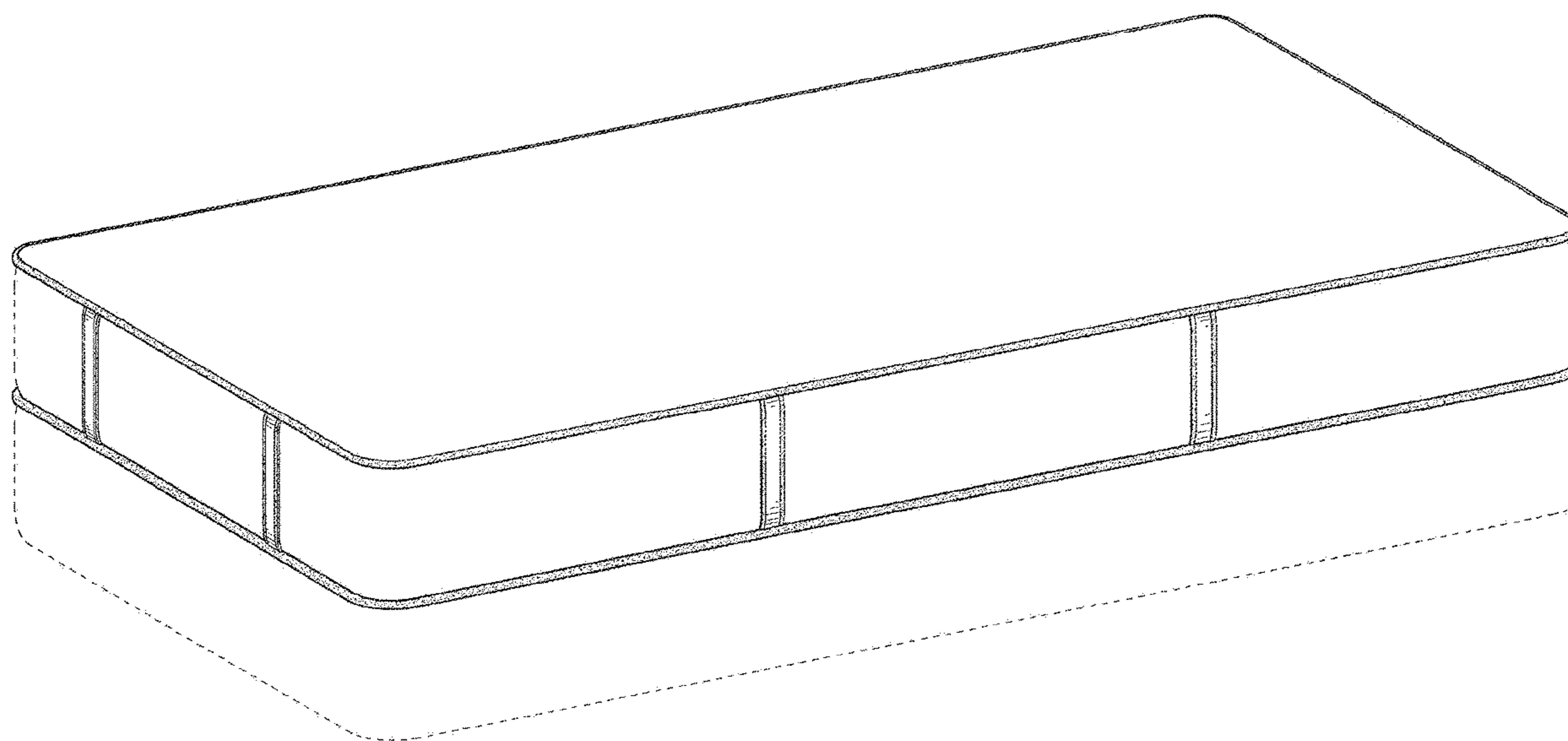
USPC D6/595, 596, 601, 604-606; 5/690, 691,
5/694, 696-699, 701, 703, 705, 706, 709,
5/716-718, 721, 722, 655.6, 655.7, 655.9,
5/657.5

See application file for complete search history.

(56) **References Cited**

To view the complete listing of prior art documents cited during the proceeding for Reexamination Control Number 95/001,535, please refer to the USPTO's public Patent Application Information Retrieval (PAIR) system under the Display References tab.

Primary Examiner — Darlington Ly



**INTER PARTES
REEXAMINATION CERTIFICATE**

THE PATENT IS HEREBY AMENDED AS
INDICATED BELOW.

5

AS A RESULT OF REEXAMINATION, IT HAS BEEN
DETERMINED THAT:

Claim 1 is cancelled.

10

* * * * *