



US00D622086S

(12) **United States Design Patent**
Leung

(10) **Patent No.:** **US D622,086 S**

(45) **Date of Patent:** **** Aug. 24, 2010**

(54) **GUN RACK**

(76) Inventor: **David Leung**, 2242 Northwest Pkwy.,
Marietta, GA (US) 30067

(**) Term: **14 Years**

(21) Appl. No.: **29/339,628**

(22) Filed: **Jul. 2, 2009**

(51) **LOC (9) Cl.** **08-08**

(52) **U.S. Cl.** **D6/552**

(58) **Field of Classification Search** D6/552;
D21/573; 248/96; 211/13.1, 64; 224/483,
224/539, 566, 568, 571; 280/13, 652

See application file for complete search history.

(56) **References Cited**

U.S. PATENT DOCUMENTS

2,452,929	A *	11/1948	Holcomb	248/96
3,266,633	A	8/1966	Graebner		
3,876,078	A	8/1973	Gomes		
4,852,780	A *	8/1989	Woodbury	224/539
D324,951	S *	3/1992	Narramore	D6/552
D365,717	S *	1/1996	Cardenas	D6/552
5,626,379	A	5/1997	Scott		
D381,852	S *	8/1997	Cardenas	D6/552
D394,291	S *	5/1998	Beltran et al.	D6/552
5,755,342	A	5/1998	Hoffman		
D409,033	S *	5/1999	Wittek, Sr.	D6/552
D424,141	S *	5/2000	Eckmann	D6/552
D459,625	S *	7/2002	Zebbedies	D6/552
6,793,184	B2	9/2004	Dougal		
7,124,530	B1	10/2006	Clark		

* cited by examiner

Primary Examiner—Brian N Vinson

(74) *Attorney, Agent, or Firm*—Michael L. Greenberg, Esq.;
Greenberg & Lieberman, LLC

(57) **CLAIM**

The ornamental design of a gun rack, as shown and described.

DESCRIPTION

FIG. 1 is an environmental perspective of the of the present invention when unfolded.

FIG. 2 is a left side view of the present invention when unfolded, the right side view being a mirror image thereof when unfolded.

FIG. 3 is a top view of the present invention when unfolded.

FIG. 4 is a bottom view of the present invention when unfolded.

FIG. 5 is a front view of the present invention when unfolded.

FIG. 6 is a back view of the present invention when unfolded.

FIG. 7 is an environmental perspective of the present invention when folded.

FIG. 8 is a left side view of the present invention when folded, the right side view being a mirror image thereof when folded.

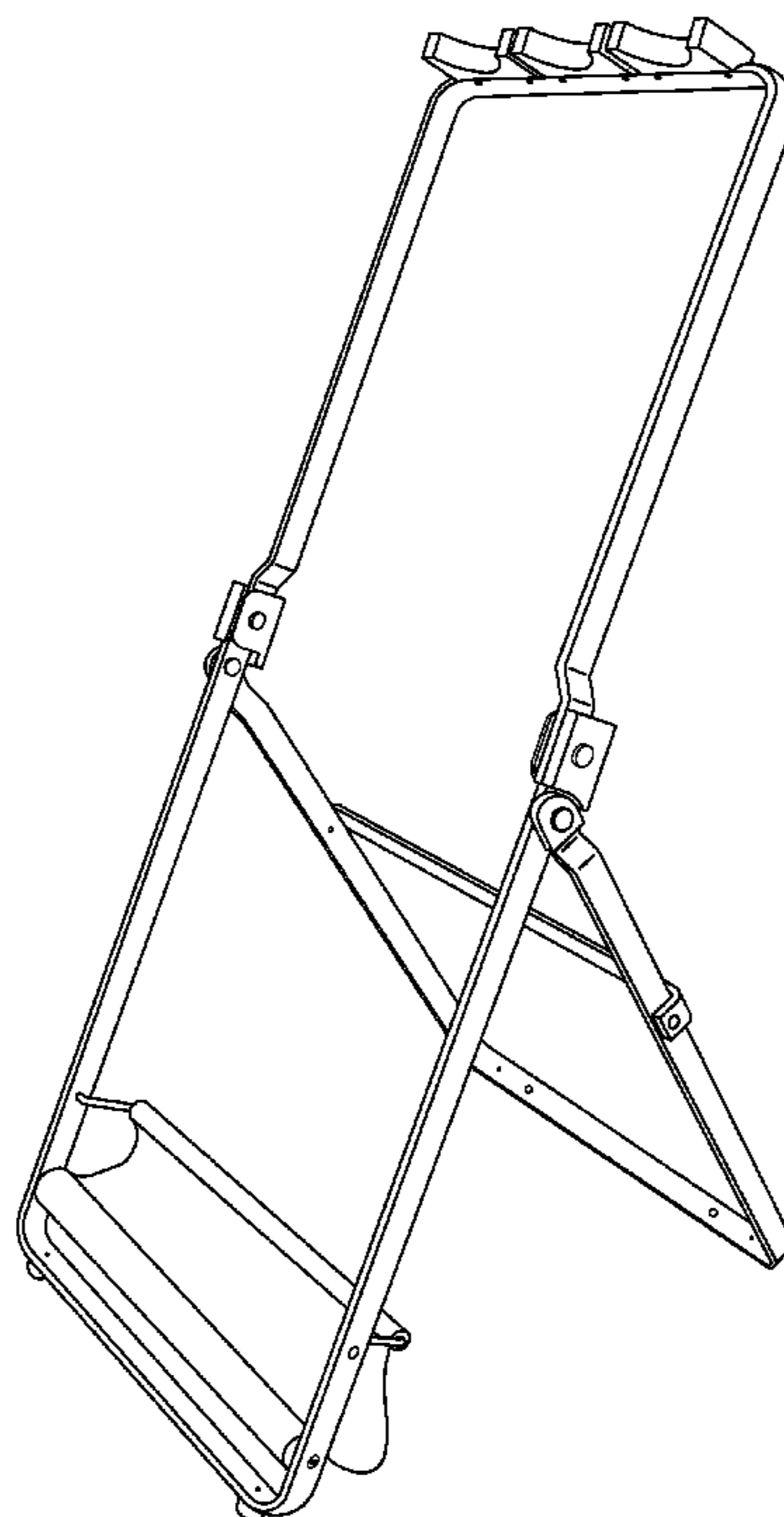
FIG. 9 is a top view of the present invention when folded.

FIG. 10 is a bottom view of the present invention when folded.

FIG. 11 is a front view of the present invention when folded; and,

FIG. 12 is a back view of the present invention when folded.

1 Claim, 11 Drawing Sheets



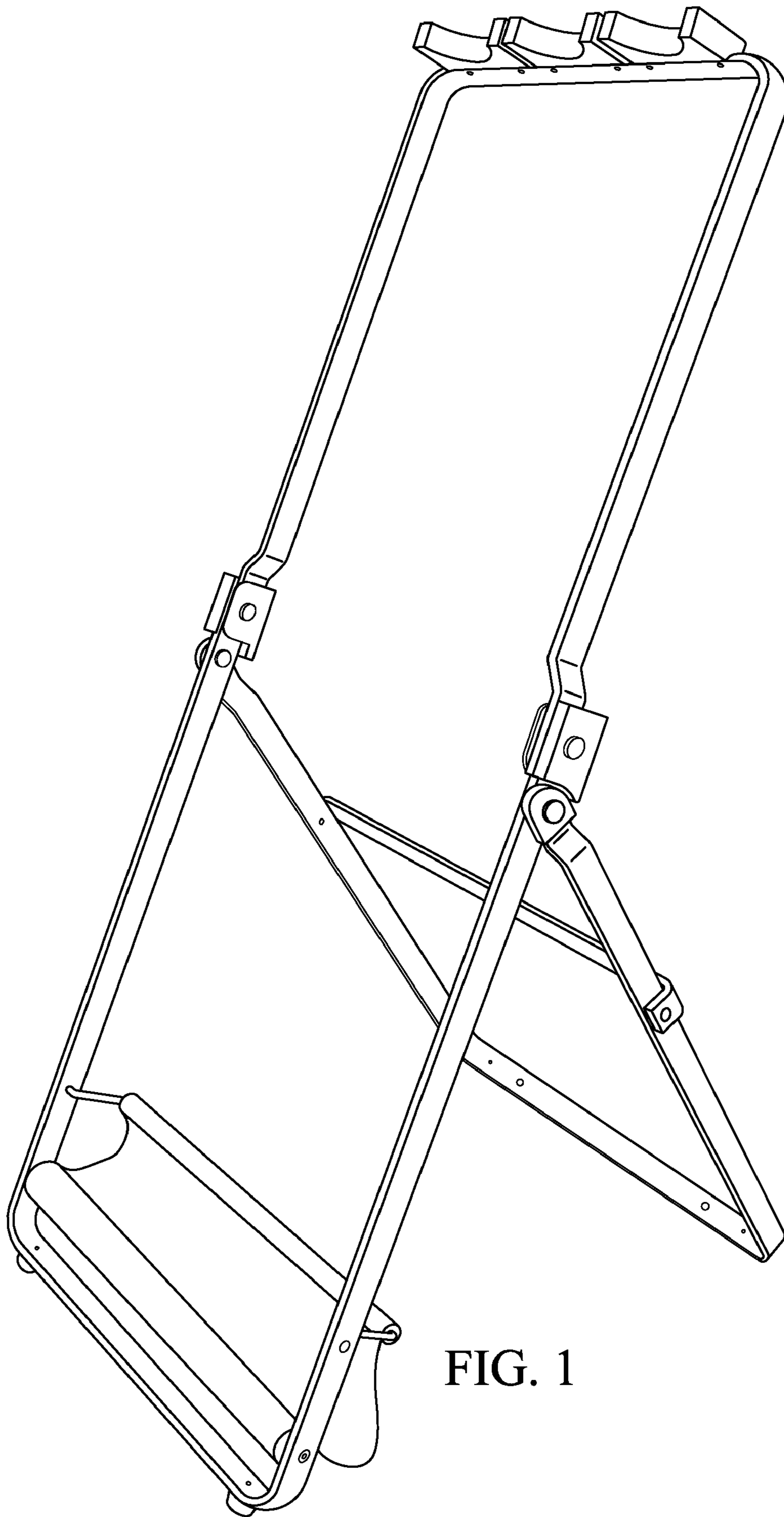


FIG. 1

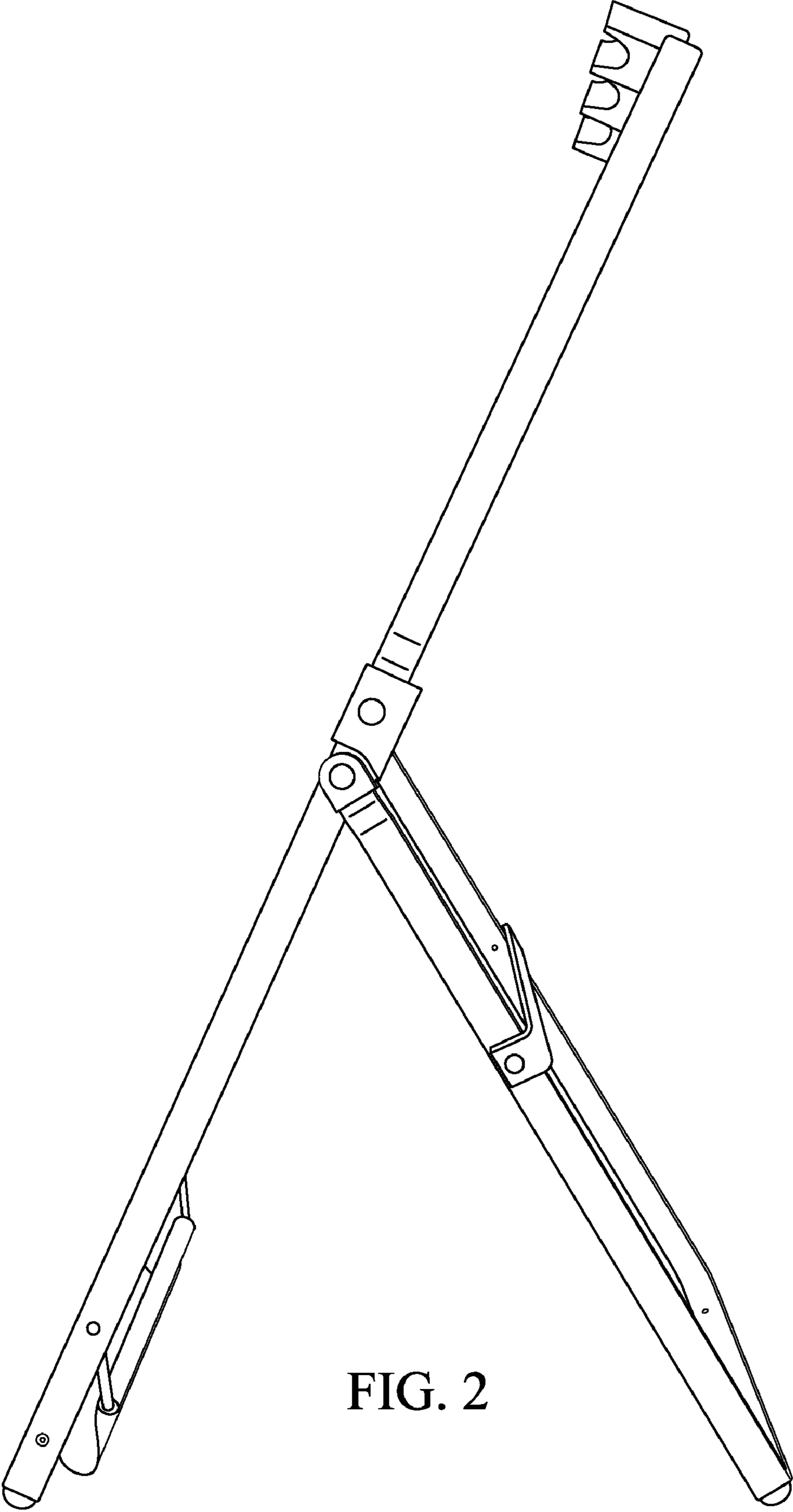


FIG. 2

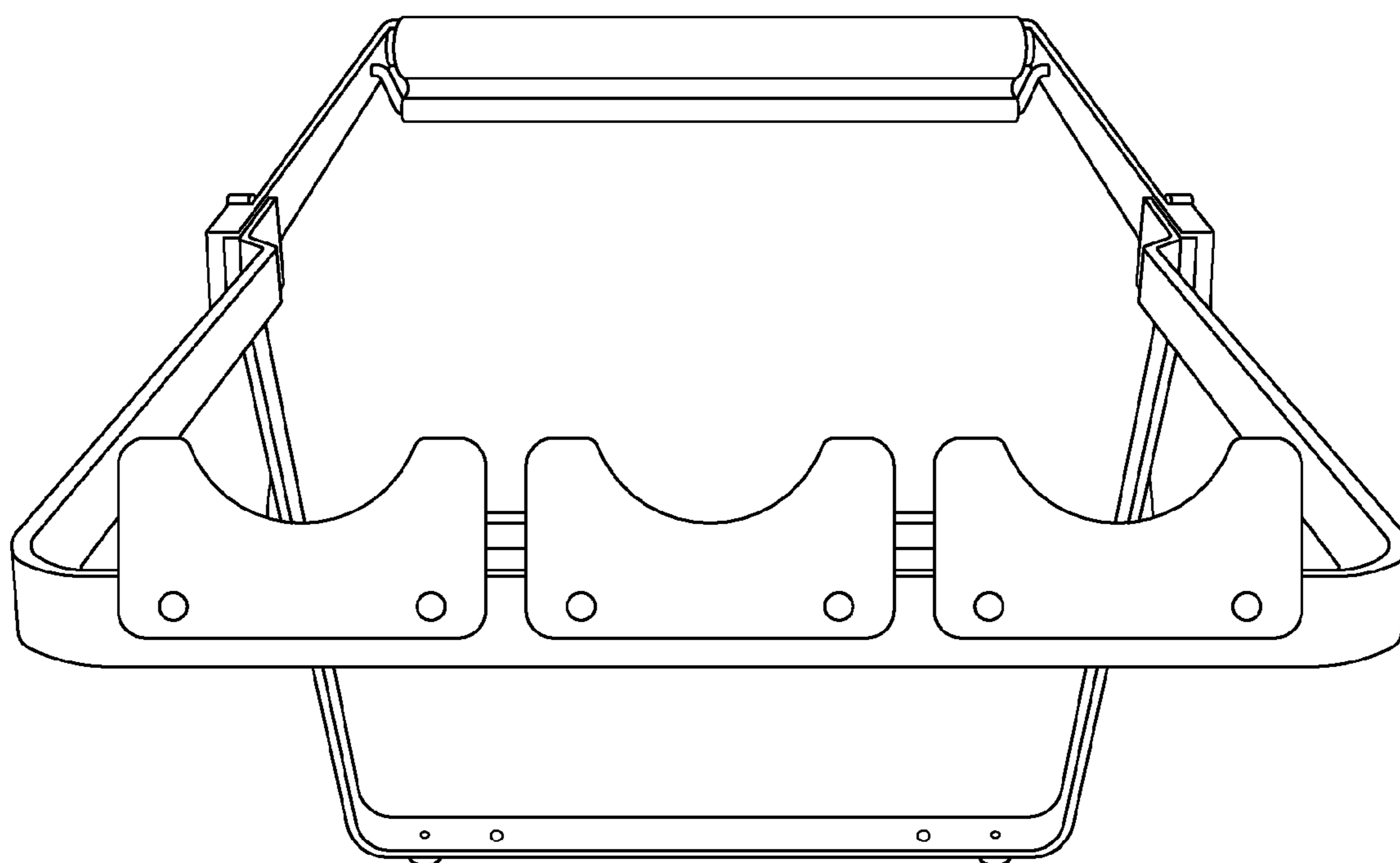


FIG. 3

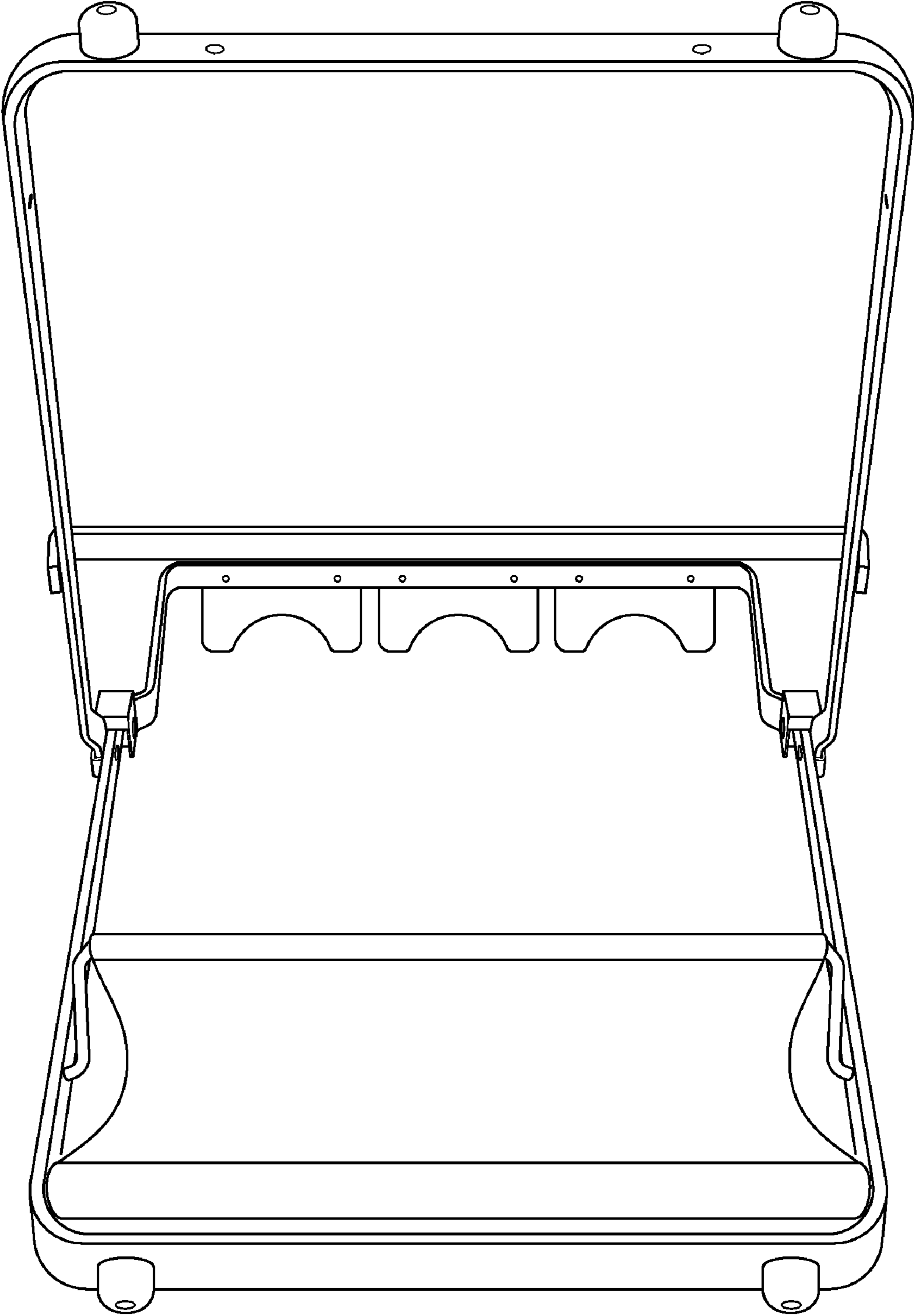


FIG. 4

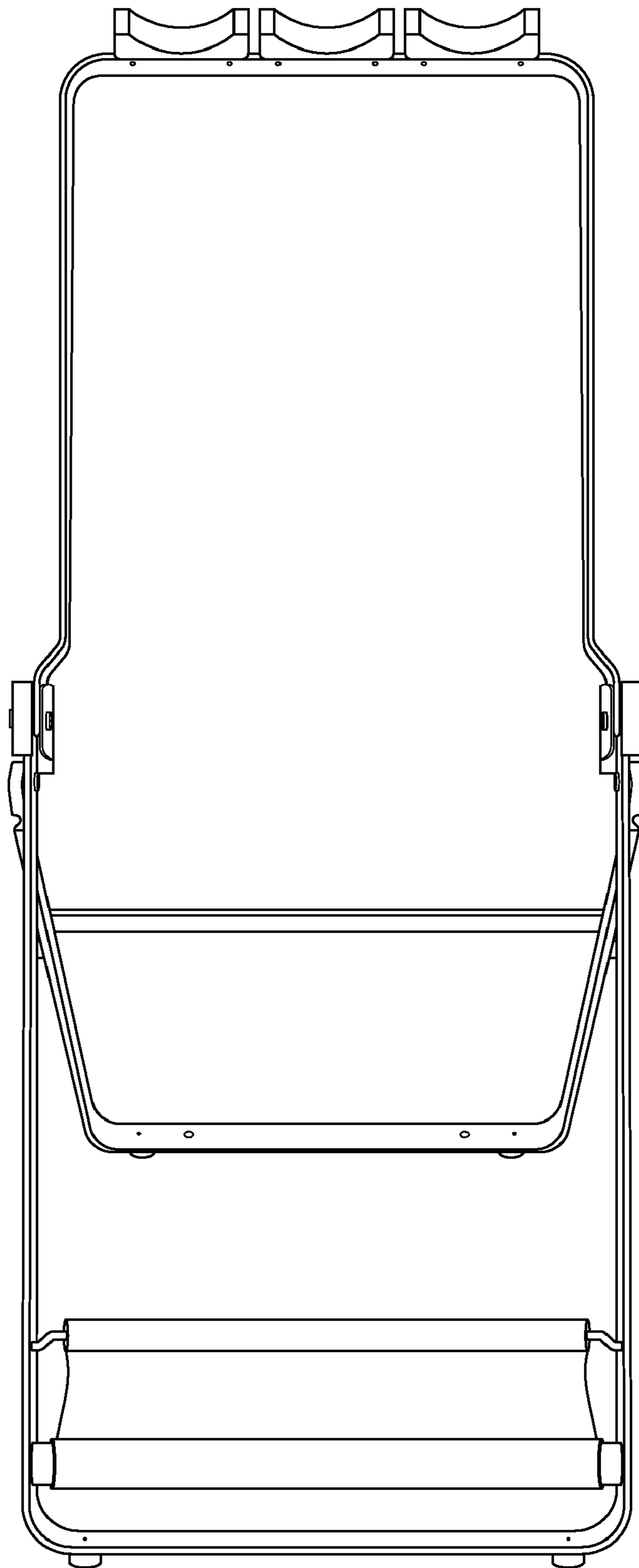


FIG. 5

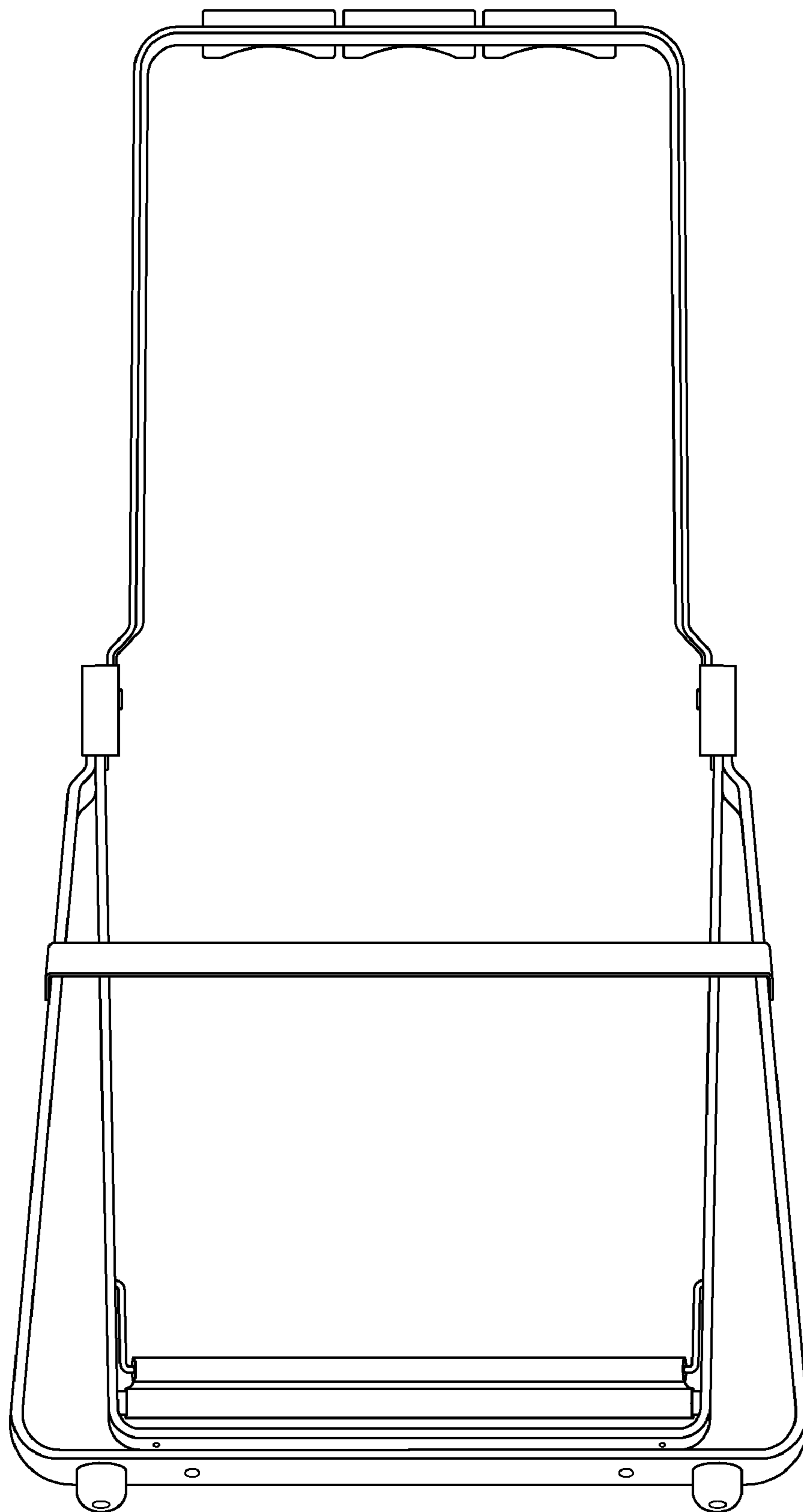


FIG. 6

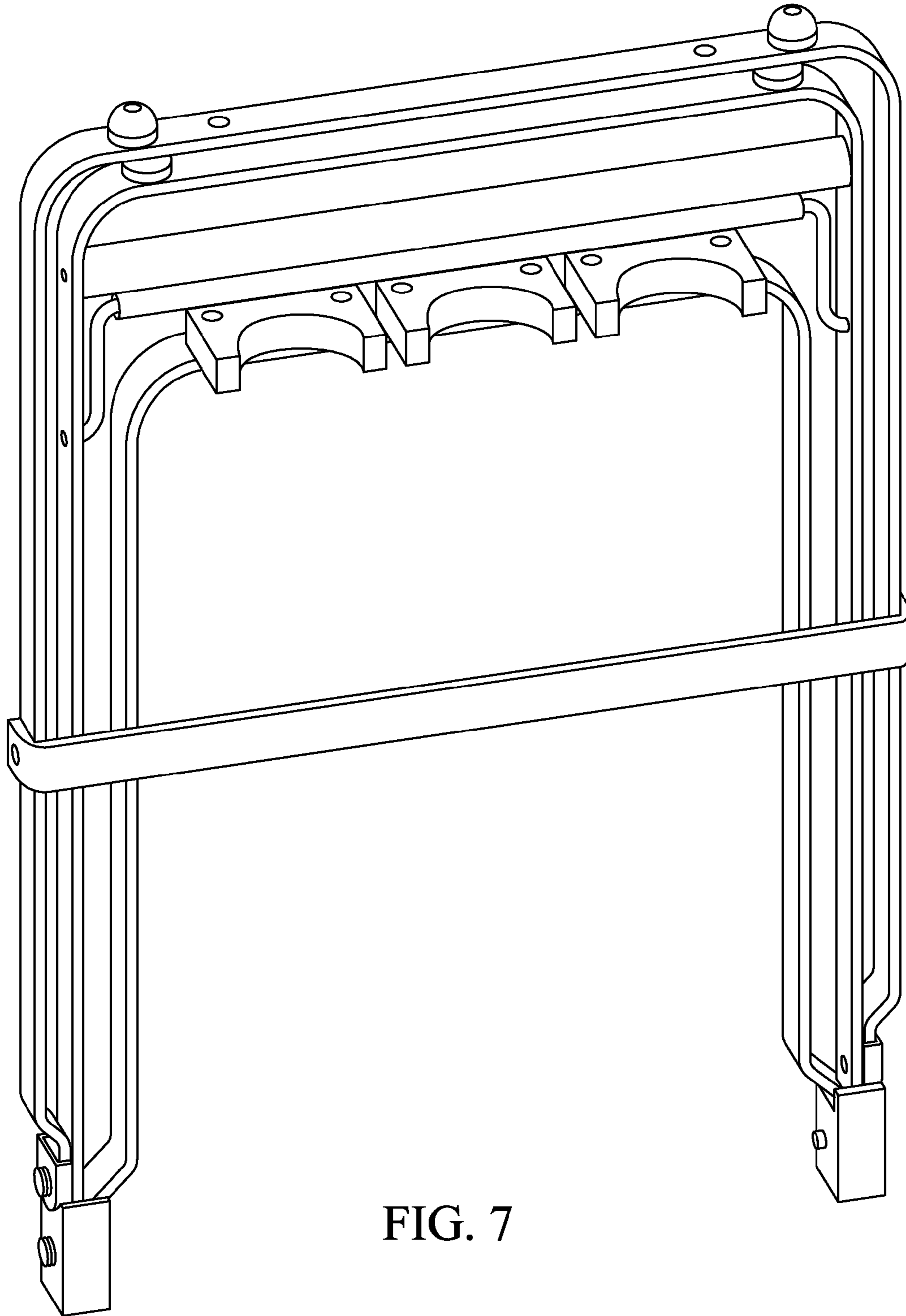


FIG. 7

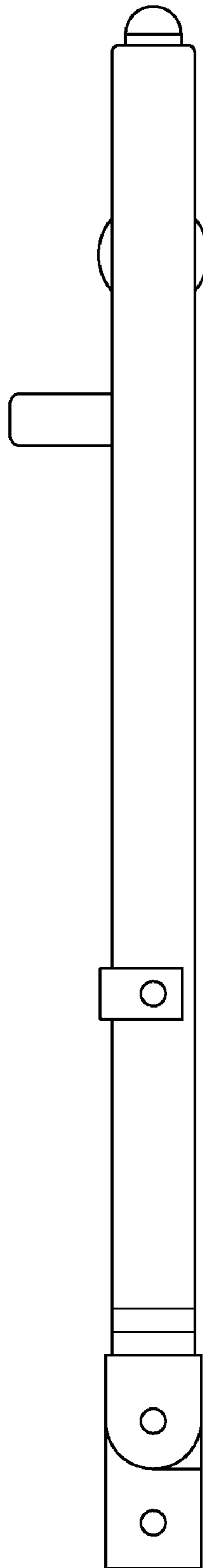


FIG. 8

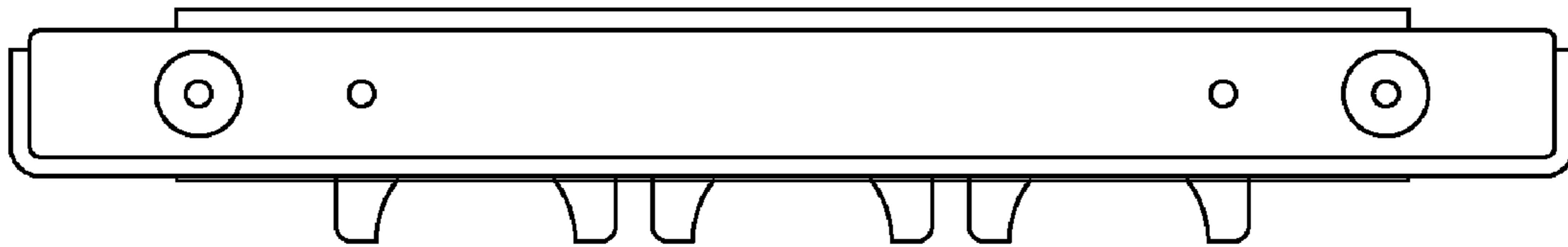


FIG. 9

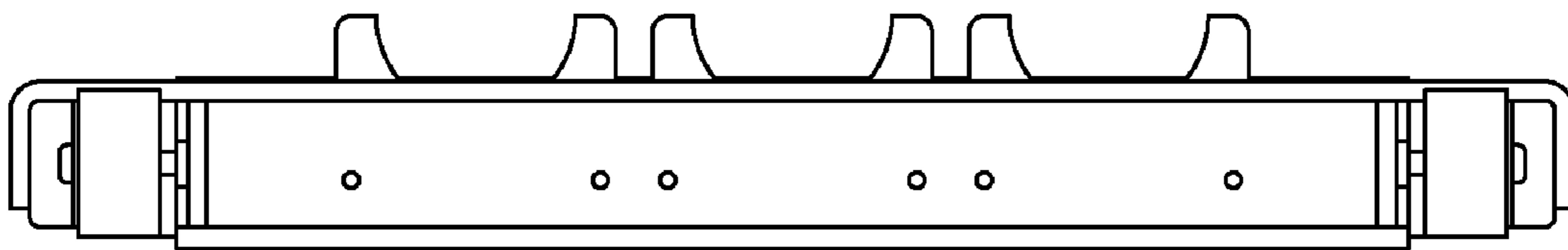


FIG. 10

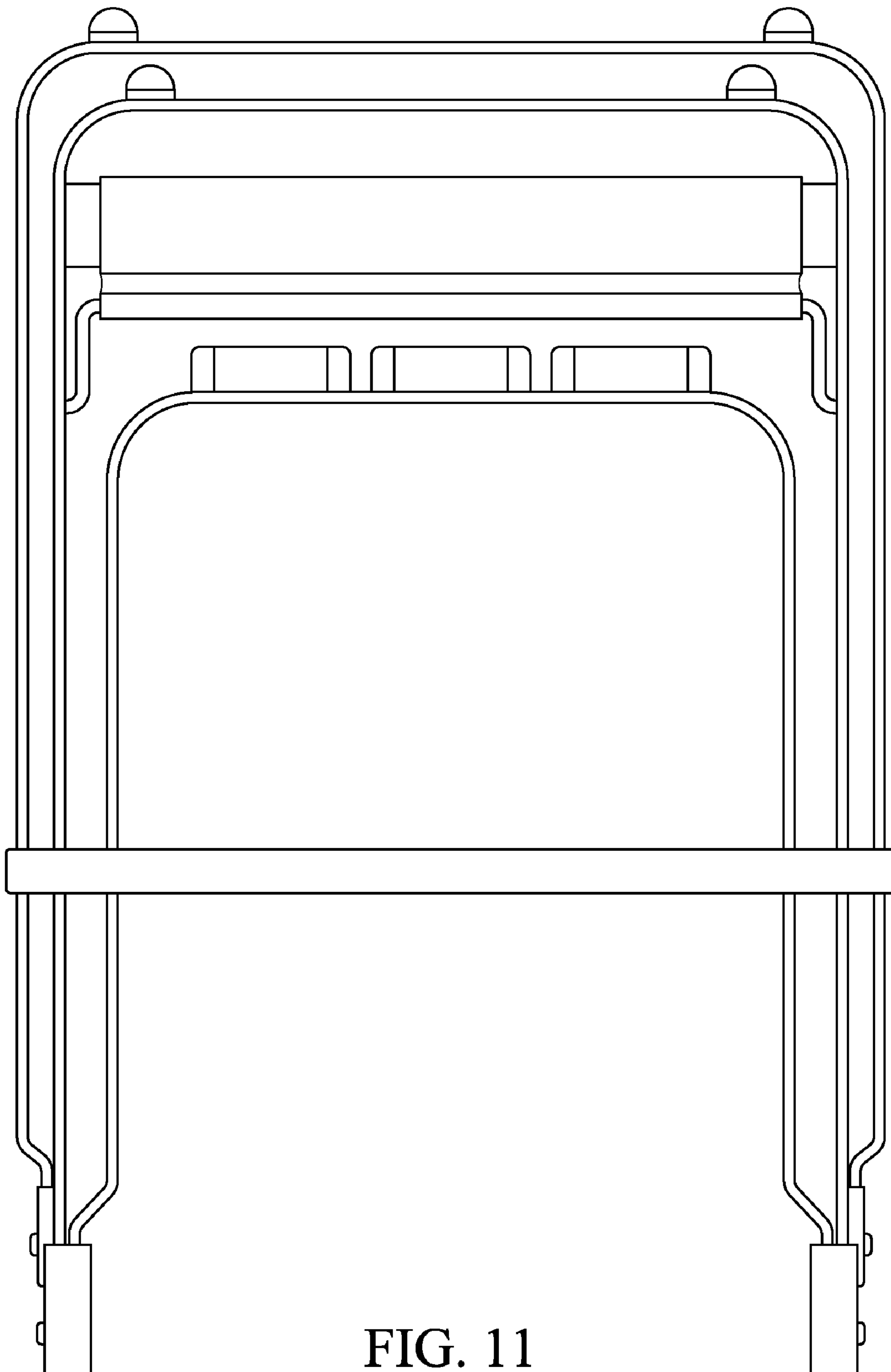


FIG. 11

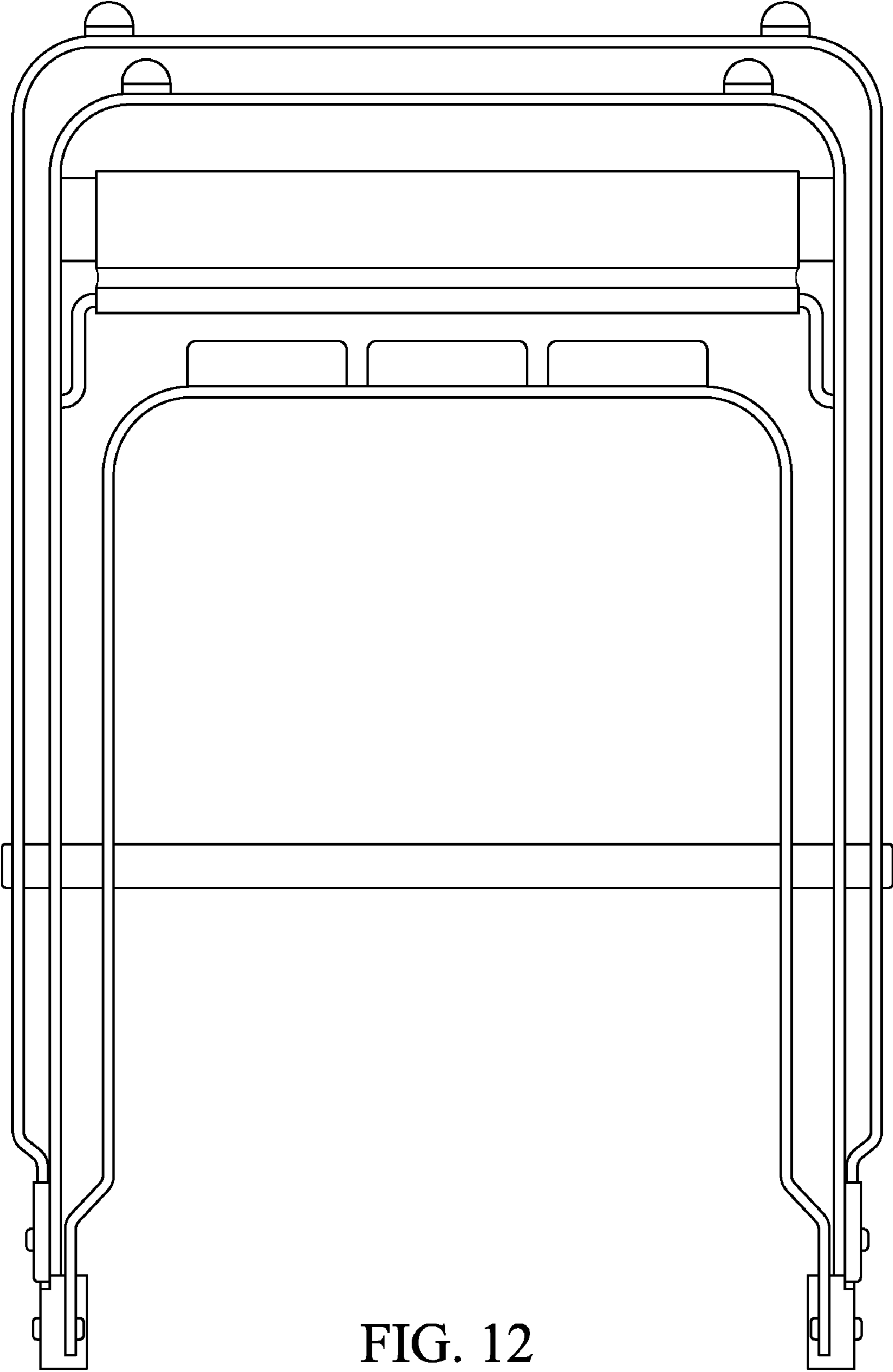


FIG. 12