



US00D622085S

(12) **United States Design Patent**
Bacon et al.

(10) **Patent No.:** **US D622,085 S**

(45) **Date of Patent:** **** Aug. 24, 2010**

(54) **COCKTAIL TABLE**

(75) Inventors: **Craig C. Bacon**, Trempealeau, WI (US);
Terry A. Everson, Blair, WI (US);
Randy D. Domack, Trempealeau, WI (US)

(73) Assignee: **Ashley Furniture Industries, Inc.**,
Arcadia, WI (US)

(**) Term: **14 Years**

(21) Appl. No.: **29/316,478**

(22) Filed: **Oct. 1, 2009**

(51) **LOC (9) Cl.** **06-03**

(52) **U.S. Cl.** **D6/480**

(58) **Field of Classification Search** D6/480-489,
D6/495-499, 511, 429-431; 108/150, 153.1,
108/155, 156, 157.1, 161; 248/188, 188.1,
248/188.8

See application file for complete search history.

(56) **References Cited**

U.S. PATENT DOCUMENTS

2,502,526 A	4/1950	Loewen	
D188,605 S	8/1960	Lubberts et al.	
D273,829 S *	5/1984	Desnoyers	D6/484
D377,426 S	1/1997	Rosebrock	
D394,767 S	6/1998	Nourse	
D425,733 S *	5/2000	O'Hare	D6/484
D446,975 S	8/2001	Stanton	
D449,186 S *	10/2001	O'Hare et al.	D6/480
D452,086 S	12/2001	Vaaler	
D502,617 S *	3/2005	Chang	D6/480
D511,057 S	11/2005	Mohundro	
D530,545 S	10/2006	Domack et al.	
D531,432 S	11/2006	Domack et al.	
D532,220 S	11/2006	Domack et al.	
D552,887 S	10/2007	Everson et al.	
D552,888 S	10/2007	Everson	
D553,397 S	10/2007	Everson	

D562,598 S	2/2008	Domack et al.
D565,867 S	4/2008	Domack et al.
D590,639 S	4/2009	Domack et al.
D598,678 S	8/2009	Domack et al.

OTHER PUBLICATIONS

5608-05-17-25-T884-T, *Studio-Almond*, Ashley Furniture Catalog, vol. 7, Series 1, Spring 2005, p. 367.

T433-1-3-4, *Cassella*, Ashley Furniture Catalog, vol. 7, Series 1, Spring 2005, p. 291.

T361-13, *Tenley*, Ashley Furniture Catalog, vol. 7, Series 1, Spring 2005, p. 275.

T376-1-2-4, *Winslow Square*, Ashley Furniture Catalog, vol. 6, Series 1, 2004, p. 228.

T347-9-3-4, *Flint Creek*, Ashley Furniture Catalog, vol. 6, Series 1, 2004, p. 225.

* cited by examiner

Primary Examiner—Janice E Seeger

(74) *Attorney, Agent, or Firm*—Patterson Thunten Christensen Pedersen, P.A.

(57) **CLAIM**

We claim the ornamental design for a cocktail table, as shown and described.

DESCRIPTION

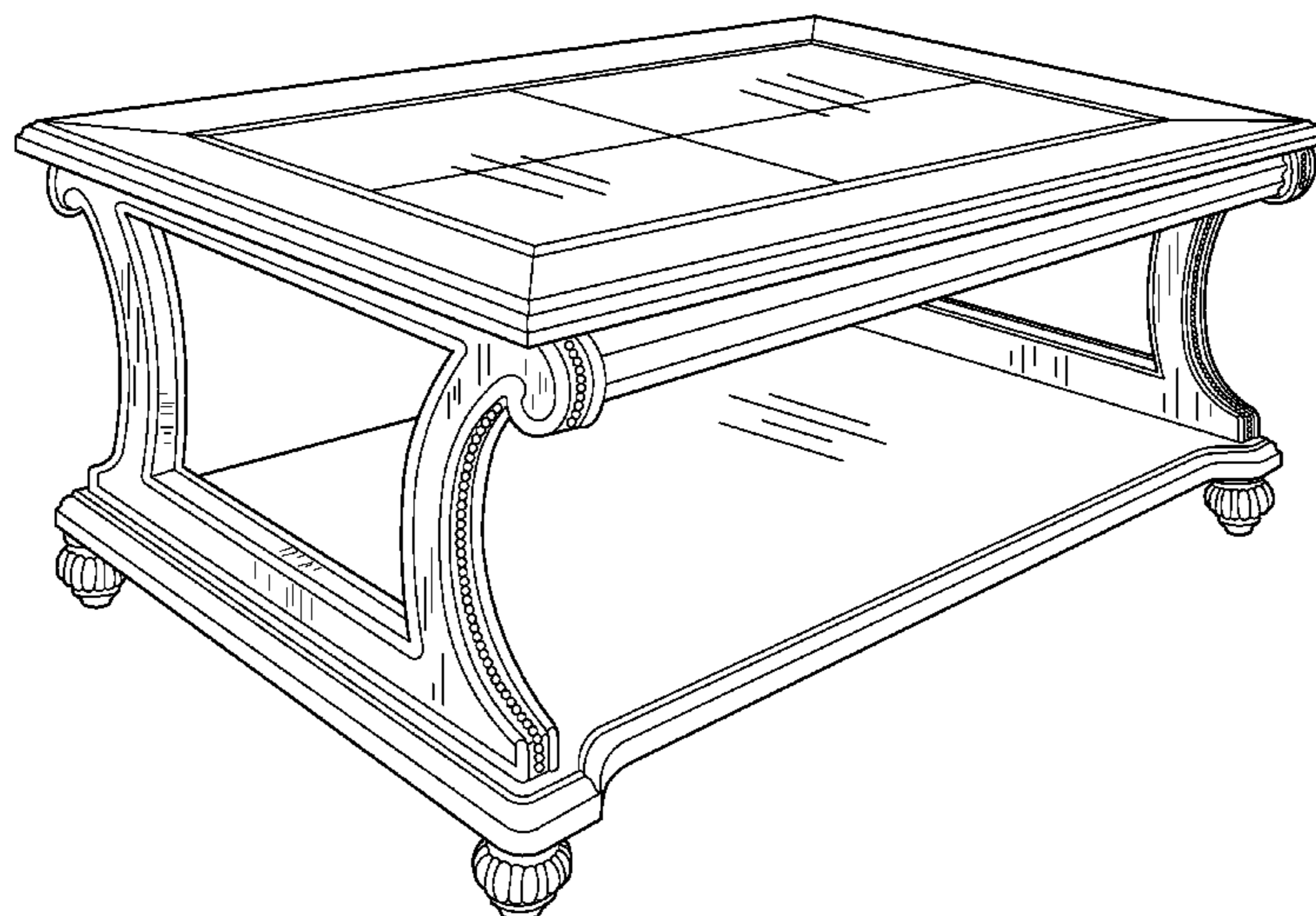
FIG. 1 is a front corner perspective view of a cocktail table according to an embodiment of the invention. The view from the opposite back corner being identical hereto.

FIG. 2 is a front elevational view of a cocktail table according to an embodiment of the invention. The view from the back being identical hereto.

FIG. 3 is a side elevational view of a cocktail table according to an embodiment of the invention. The view from the opposite side being identical hereto; and,

FIG. 4 is a top plan view of a cocktail table according to an embodiment of the invention.

1 Claim, 4 Drawing Sheets



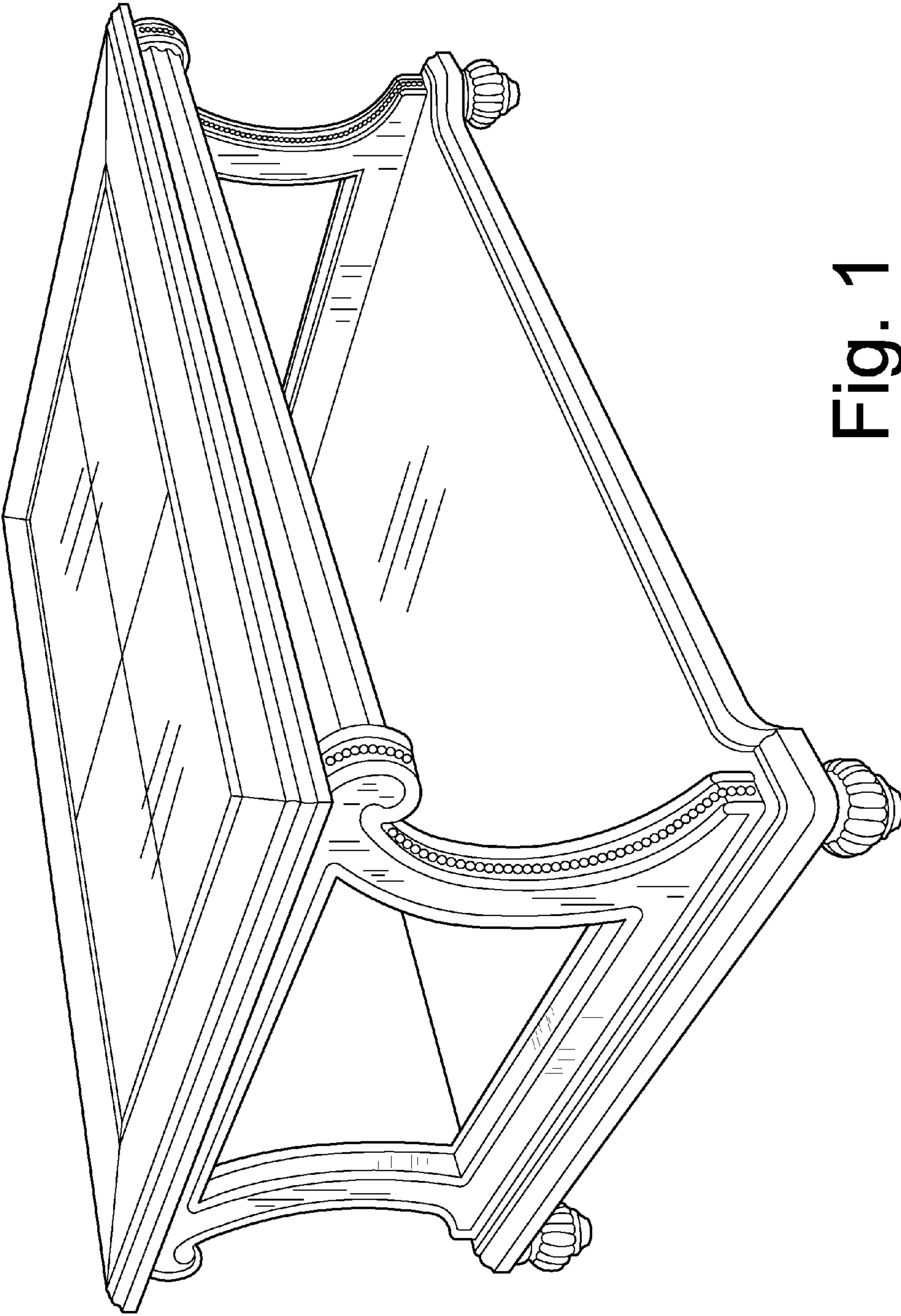


Fig. 1

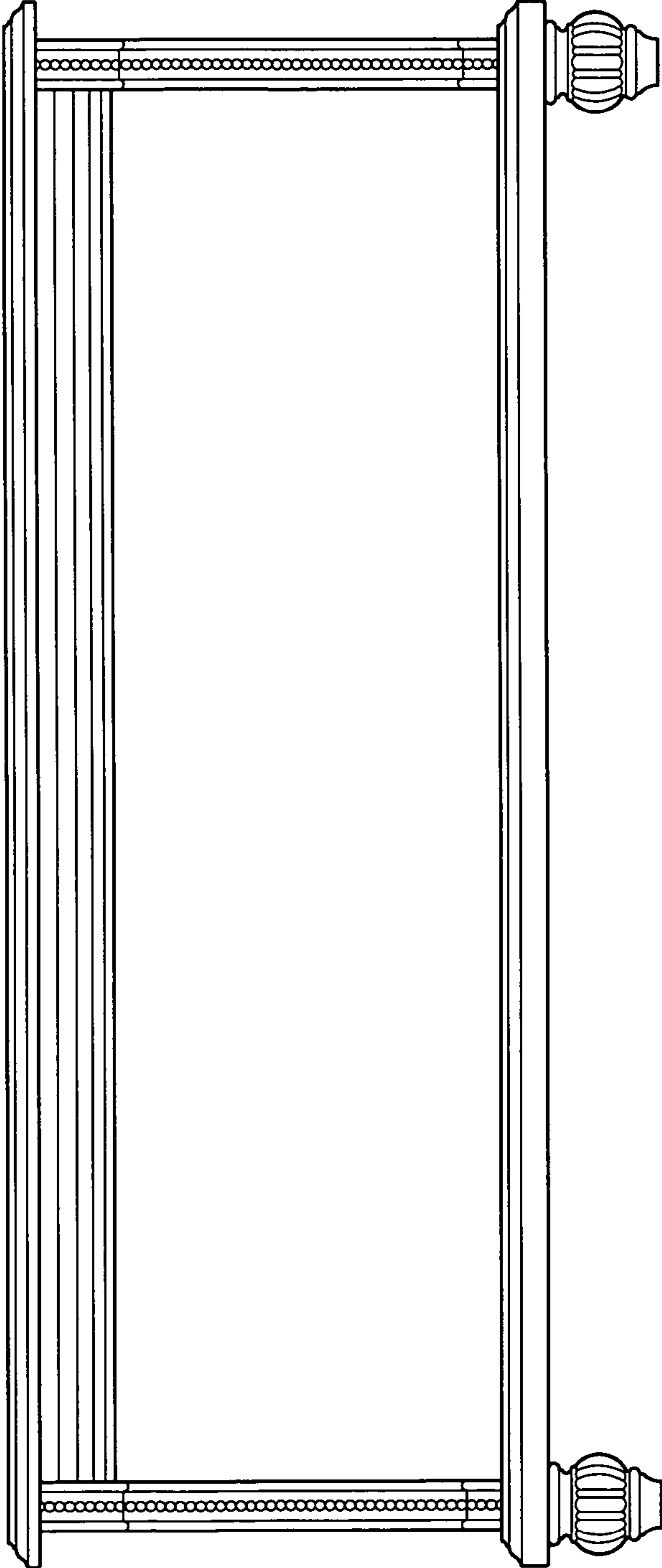


Fig. 2

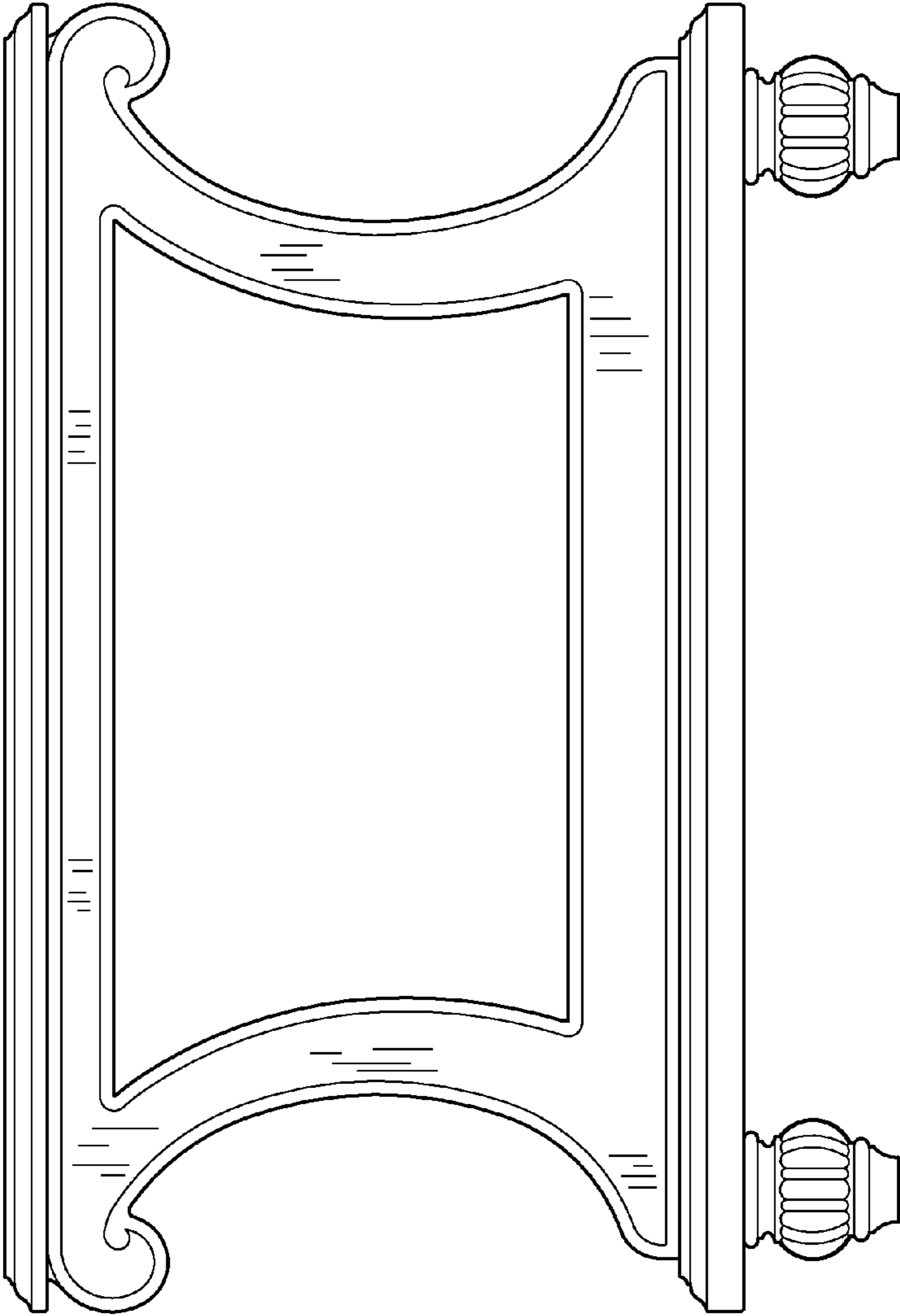


Fig. 3

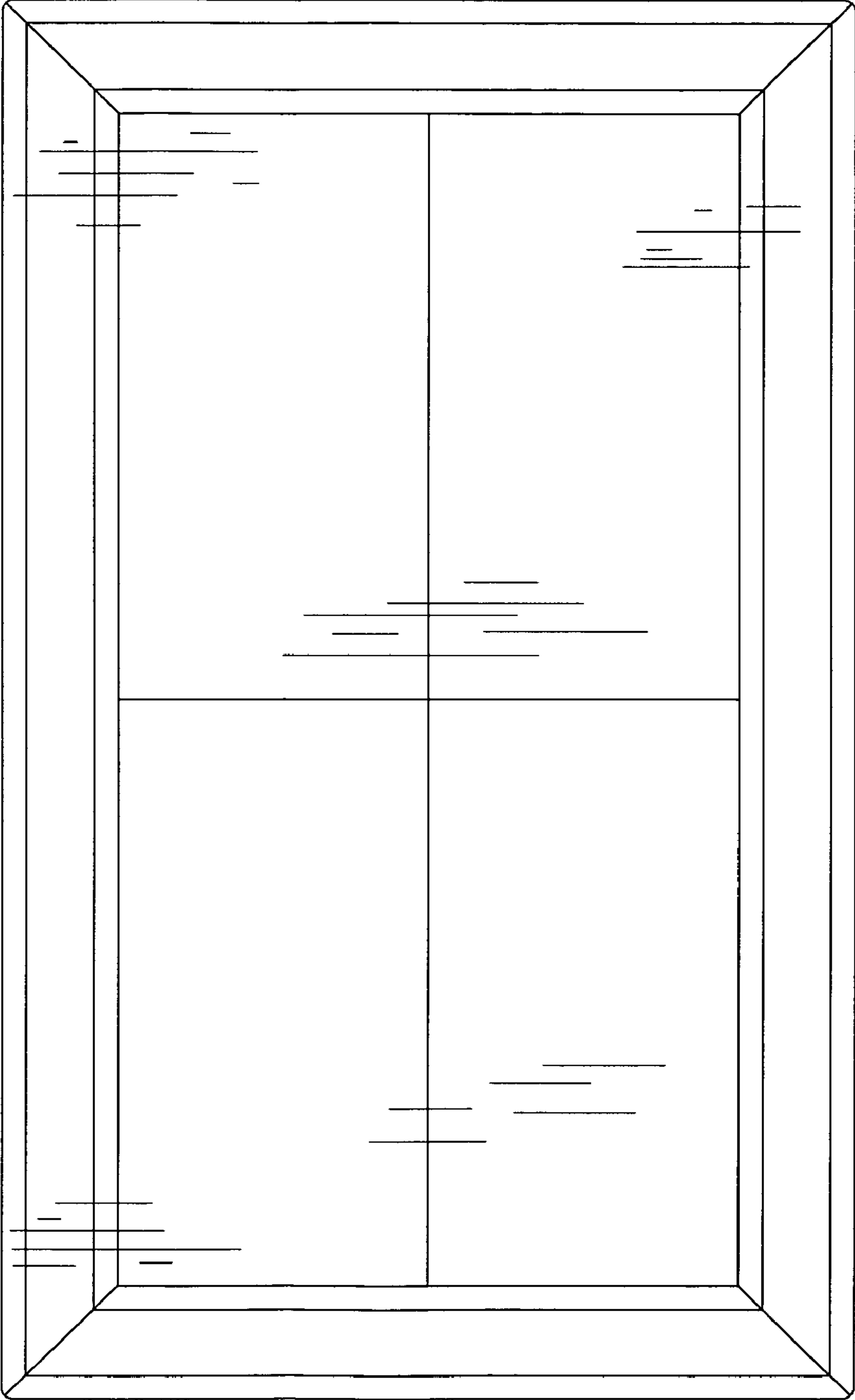


Fig. 4