



US00D622084S

(12) **United States Design Patent**
Stukenberg et al.

(10) **Patent No.:** **US D622,084 S**

(45) **Date of Patent:** **** Aug. 24, 2010**

(54) **DISPLAY APPARATUS**

(75) Inventors: **Joseph R. Stukenberg**, Minneapolis, MN (US); **Elianne M. McMahon-Miller**, St. Paul, MN (US)

(73) Assignee: **Target Brands, Inc.**, Minneapolis, MN (US)

(**) Term: **14 Years**

(21) Appl. No.: **29/354,845**

(22) Filed: **Jan. 29, 2010**

(51) **LOC (9) Cl.** **06-04**

(52) **U.S. Cl.** **D6/467**

(58) **Field of Classification Search** D6/411,
D6/449, 457, 459–461, 465–469, 509, 571;
211/13.1, 27, 40, 54.1, 57.1, 59.1, 71.1, 105.3,
211/125; 40/538–540, 124, 124.4; 248/169,
248/214

See application file for complete search history.

(56) **References Cited**

U.S. PATENT DOCUMENTS

959,685	A	5/1910	Adlam	
2,665,869	A	1/1954	Samuels	
D241,900	S	10/1976	Hansen	
4,501,369	A	2/1985	Fox	
4,630,737	A *	12/1986	King	211/40
D325,136	S *	4/1992	Lucht	D6/465
D338,117	S *	8/1993	Caldwell et al.	D6/468
5,303,830	A	4/1994	Metcalf	
5,441,161	A	8/1995	Merl	
6,119,874	A	9/2000	Anderson	
6,131,748	A	10/2000	Kawasaki et al.	
6,378,828	B1	4/2002	Valiulis et al.	
6,471,079	B2	10/2002	Berlingieri	

D466,331	S *	12/2002	Chang	D6/411
6,860,456	B2	3/2005	Magnusson	
7,040,492	B1	5/2006	Lemons	
7,219,806	B1	5/2007	Morrow	
D591,085	S *	4/2009	Burns	D6/468
D602,713	S *	10/2009	Stukenberg	D6/466
2004/0245193	A1 *	12/2004	Cheng	211/40
2007/0251898	A1 *	11/2007	Aarts	211/57.1
2009/0178983	A1 *	7/2009	Green et al.	211/13.1

* cited by examiner

Primary Examiner—Mary Ann Calabrese

(74) *Attorney, Agent, or Firm*—Fish & Richardson P.C.

(57) **CLAIM**

The ornamental design for a display apparatus, substantially as shown and described.

DESCRIPTION

FIG. 1 is a perspective view of a display apparatus.

FIG. 2 is a front elevation view of the display apparatus of FIG. 1.

FIG. 3 is a rear elevation view of the display apparatus of FIG. 1.

FIG. 4 is a left elevation view of the display apparatus of FIG. 1.

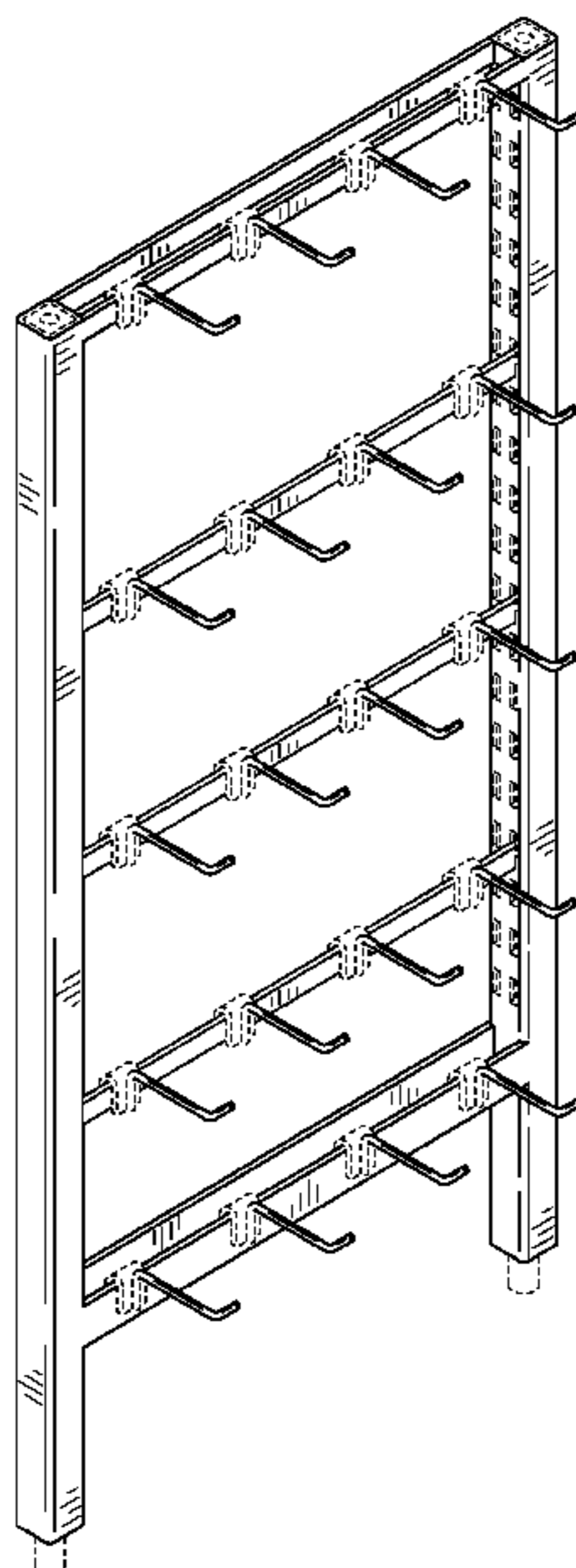
FIG. 5 is a right elevation view of the display apparatus of FIG. 1.

FIG. 6 is a top plan view of the display apparatus of FIG. 1; and,

FIG. 7 is a bottom plan view of the display apparatus of FIG. 1.

The broken lines are included for illustrative purposes only and form no part of the claimed design.

1 Claim, 5 Drawing Sheets



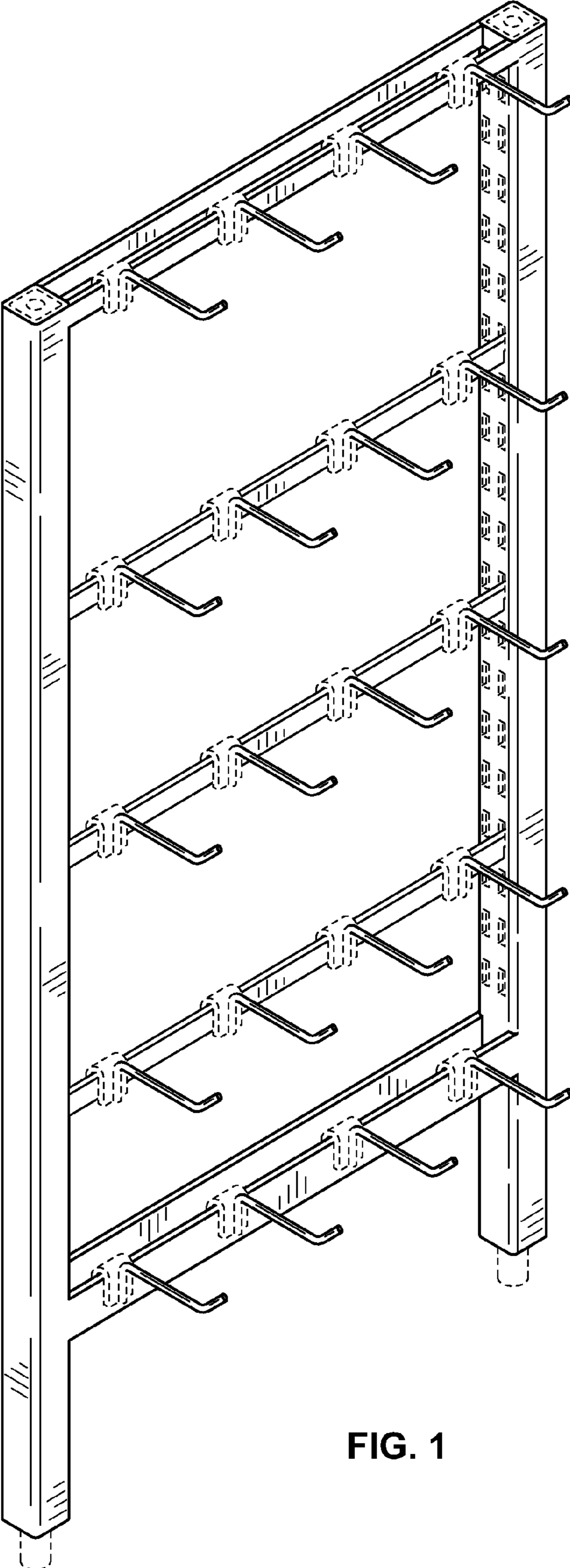


FIG. 1

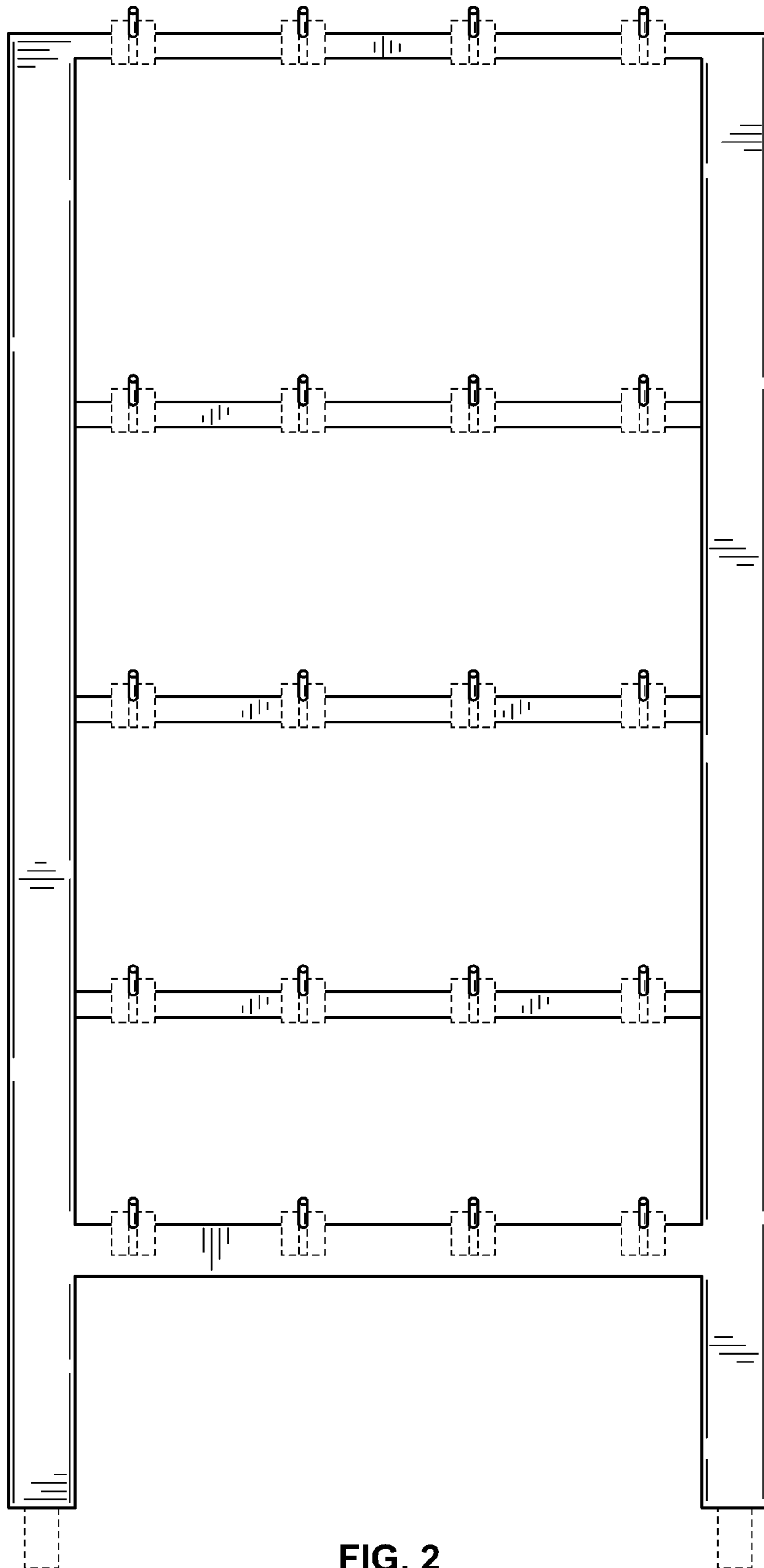
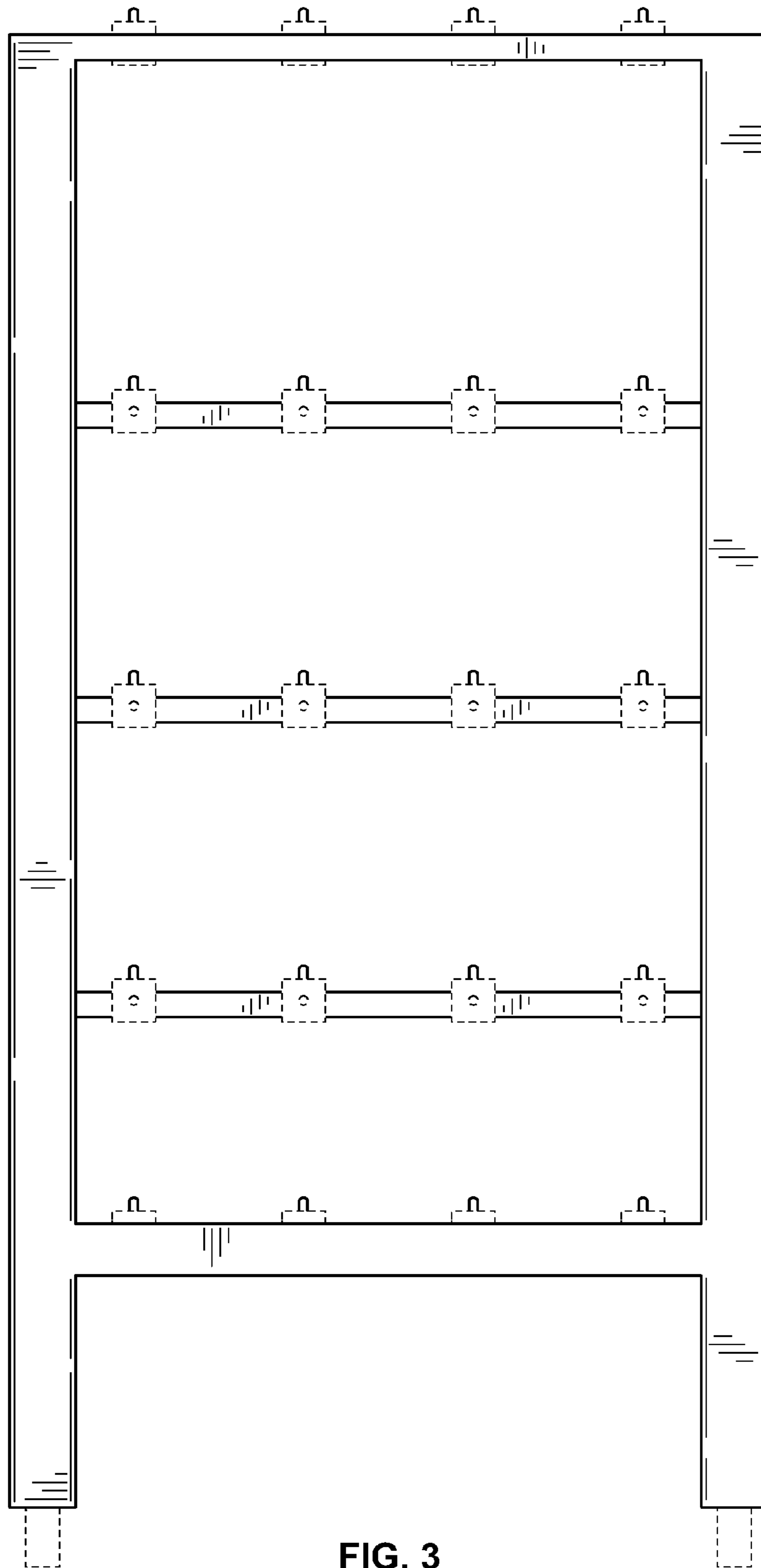


FIG. 2



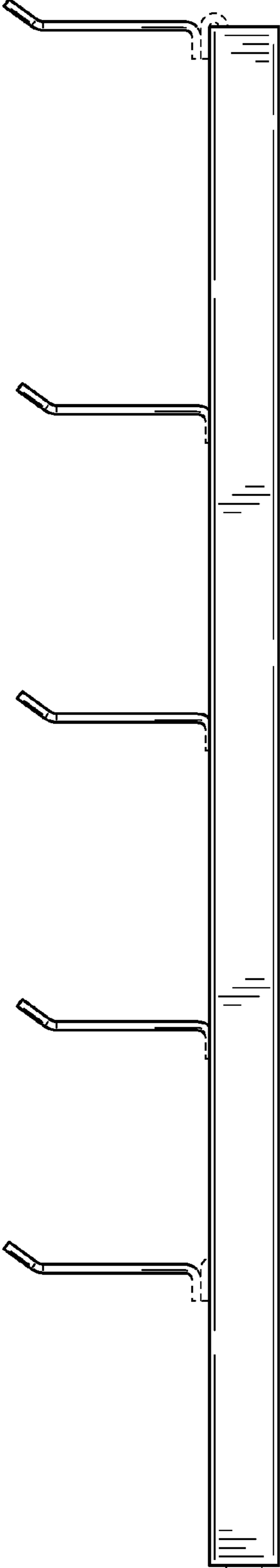


FIG. 4

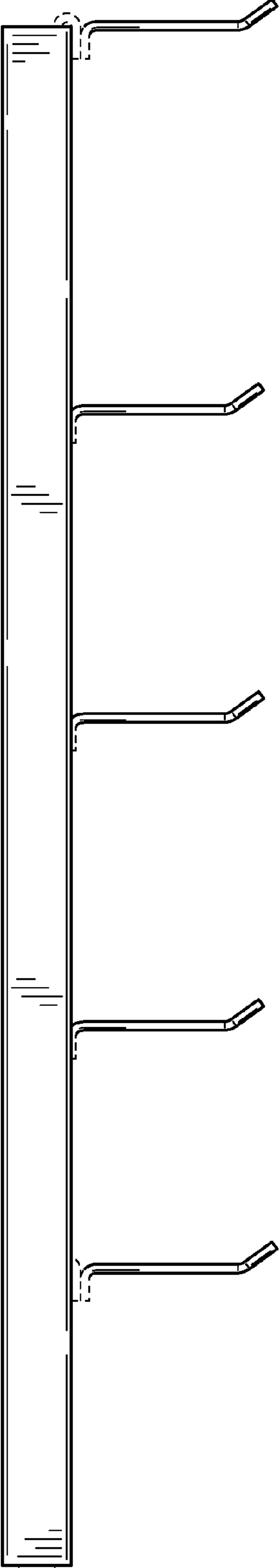


FIG. 5

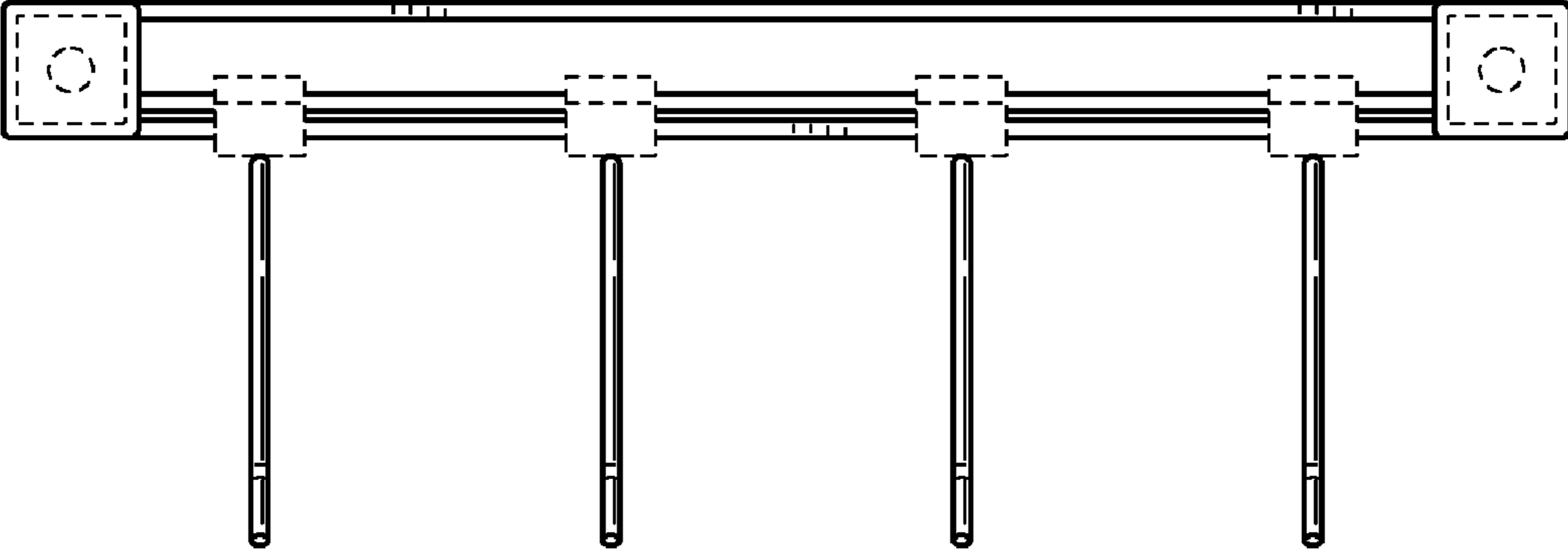


FIG. 6

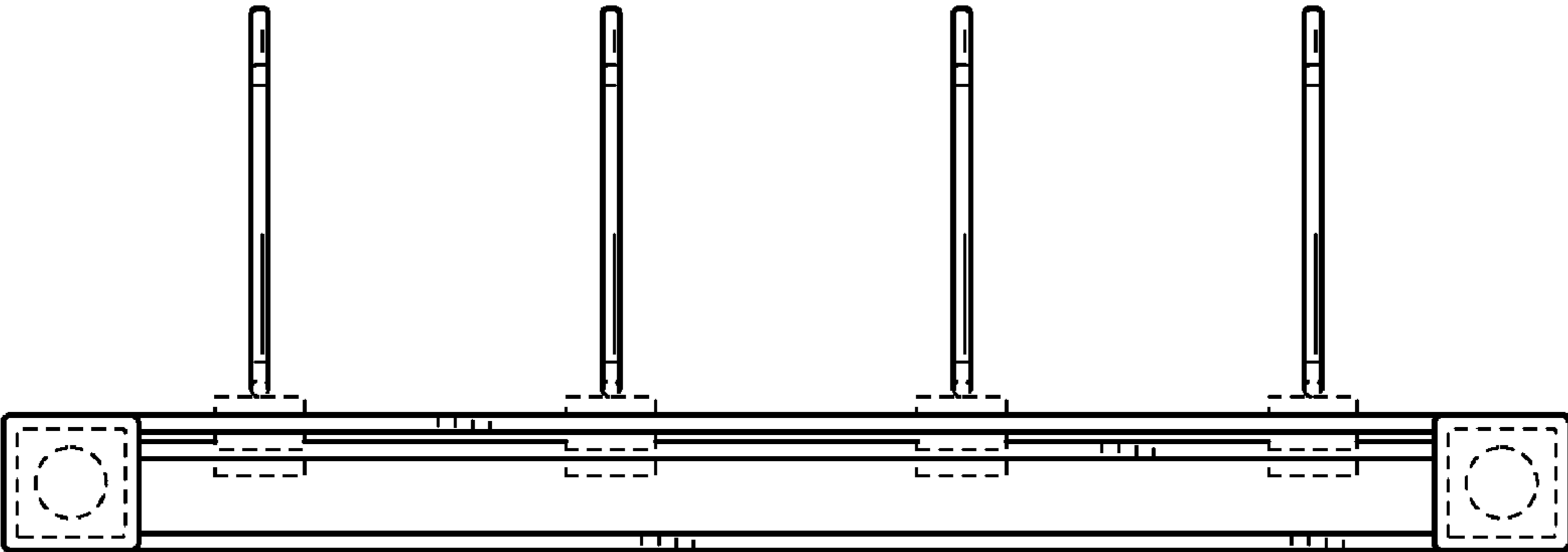


FIG. 7