

US00D622081S

(12) **United States Design Patent**
Knorpp

(10) **Patent No.:** **US D622,081 S**

(45) **Date of Patent:** **** Aug. 24, 2010**

(54) **BANNER FRAME**

(76) **Inventor:** **Kenton Knorpp**, 3929 N. Narcissus Ave., Broken Arrow, OK (US) 74012

(**) **Term:** **14 Years**

(21) **Appl. No.:** **29/288,532**

(22) **Filed:** **Jun. 14, 2007**

(51) **LOC (9) Cl.** **06-06**

(52) **U.S. Cl.** **D6/449**

(58) **Field of Classification Search** D8/381, D8/380, 356; D6/356, 553, 513, 511, 465, D6/449; D34/6; D17/9; 52/645; 40/617, 40/610, 604, 605, 593; 248/235; 135/19

See application file for complete search history.

(56) **References Cited**

U.S. PATENT DOCUMENTS

4,038,769	A	8/1977	Werner	
D285,016	S *	8/1986	Claydon	D34/6
D292,245	S *	10/1987	McCormick	D6/301
D298,041	S *	10/1988	Chang	D17/9
4,878,303	A *	11/1989	Banniza et al.	40/606.14
D304,985	S *	12/1989	Raptis	D6/553
4,917,342	A	4/1990	Fast	
5,316,253	A *	5/1994	Flathau et al.	248/235
5,701,695	A	12/1997	Current	
5,878,838	A *	3/1999	Lapp	182/150
6,105,292	A *	8/2000	Current	40/605
6,250,039	B1 *	6/2001	Karten et al.	52/645
6,332,284	B1	12/2001	Tafforeau	
6,493,973	B1	12/2002	Nelson	
6,618,973	B2	9/2003	Nelson	
D488,056	S *	4/2004	Dion	D8/381
6,718,669	B1 *	4/2004	Hayes	40/610
6,988,695	B2	1/2006	Burris	

D542,058	S *	5/2007	Clucas	D6/465
D556,022	S *	11/2007	Henry	D8/356
D592,888	S *	5/2009	Johnson	D6/449
D594,259	S *	6/2009	Swedberg et al.	D6/513
7,581,554	B2 *	9/2009	Glasser	135/19
D607,244	S *	1/2010	Nielsen	D6/511
2006/0156601	A1 *	7/2006	Haggard	40/604
2007/0209261	A1 *	9/2007	Stover et al.	40/617
2007/0277412	A1 *	12/2007	Haubert	40/593
2008/0040961	A1 *	2/2008	Hwang et al.	40/610
2009/0139124	A1 *	6/2009	Cowgill	40/610
2009/0183408	A1 *	7/2009	Dicke	40/610

* cited by examiner

Primary Examiner—Cathron C Brooks
Assistant Examiner—Austin Murphy
(74) *Attorney, Agent, or Firm*—Molly D. McKay

(57) **CLAIM**

The ornamental design for a banner frame, as shown and described.

DESCRIPTION

FIG. 1 is a perspective view showing my new design;
FIG. 2 is an enlarged view of the circled area associated with numeral 2 in FIG. 1;
FIG. 3 is an enlarged view of the circled area associated with numeral 3 in FIG. 1;
FIG. 4 is a side view thereof, with both side views being identical;
FIG. 5 is a front view thereof, with both front and back views being identical;
FIG. 6 is a top plan view thereof; and,
FIG. 7 is a bottom plan view thereof.

1 Claim, 3 Drawing Sheets

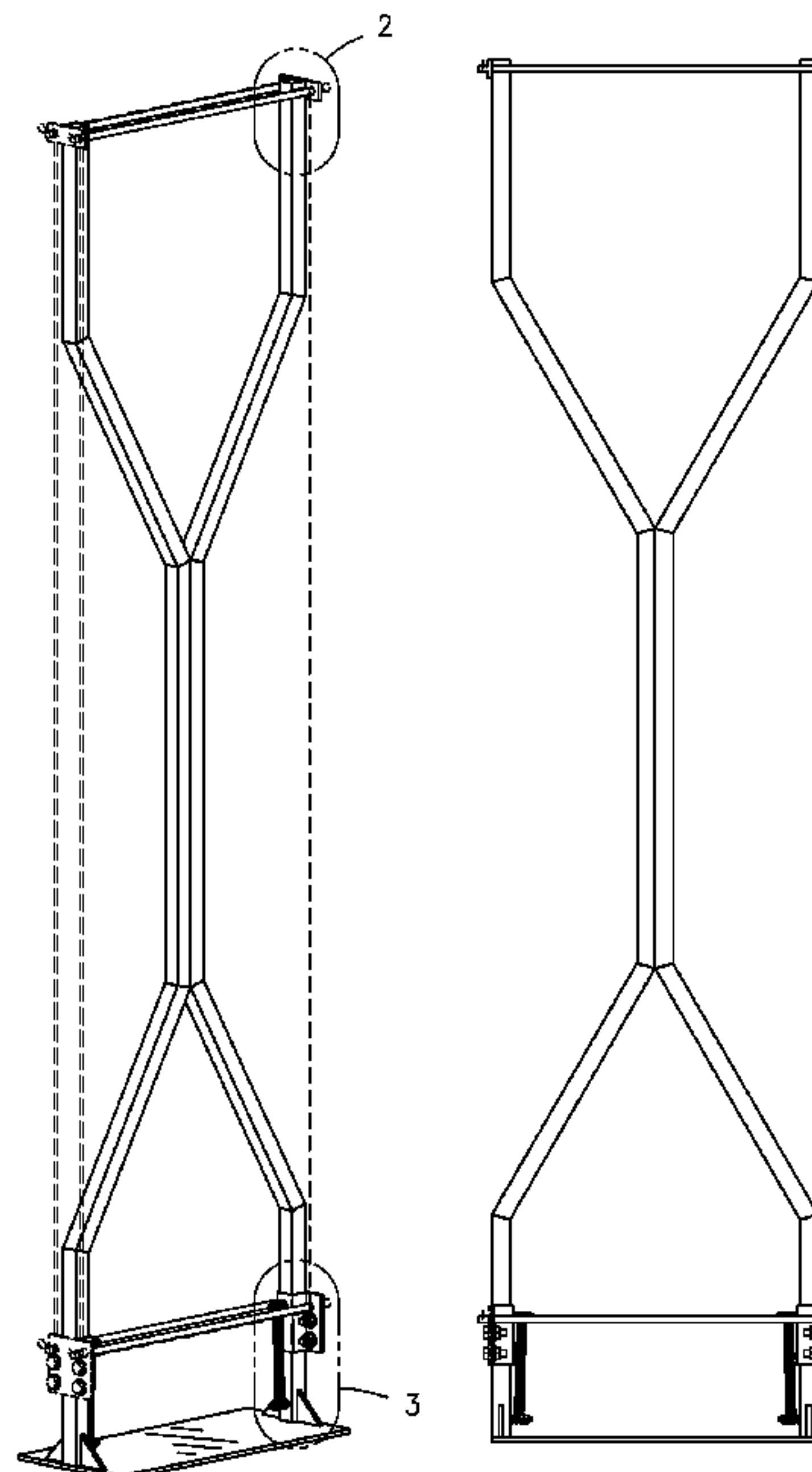


FIG. 1

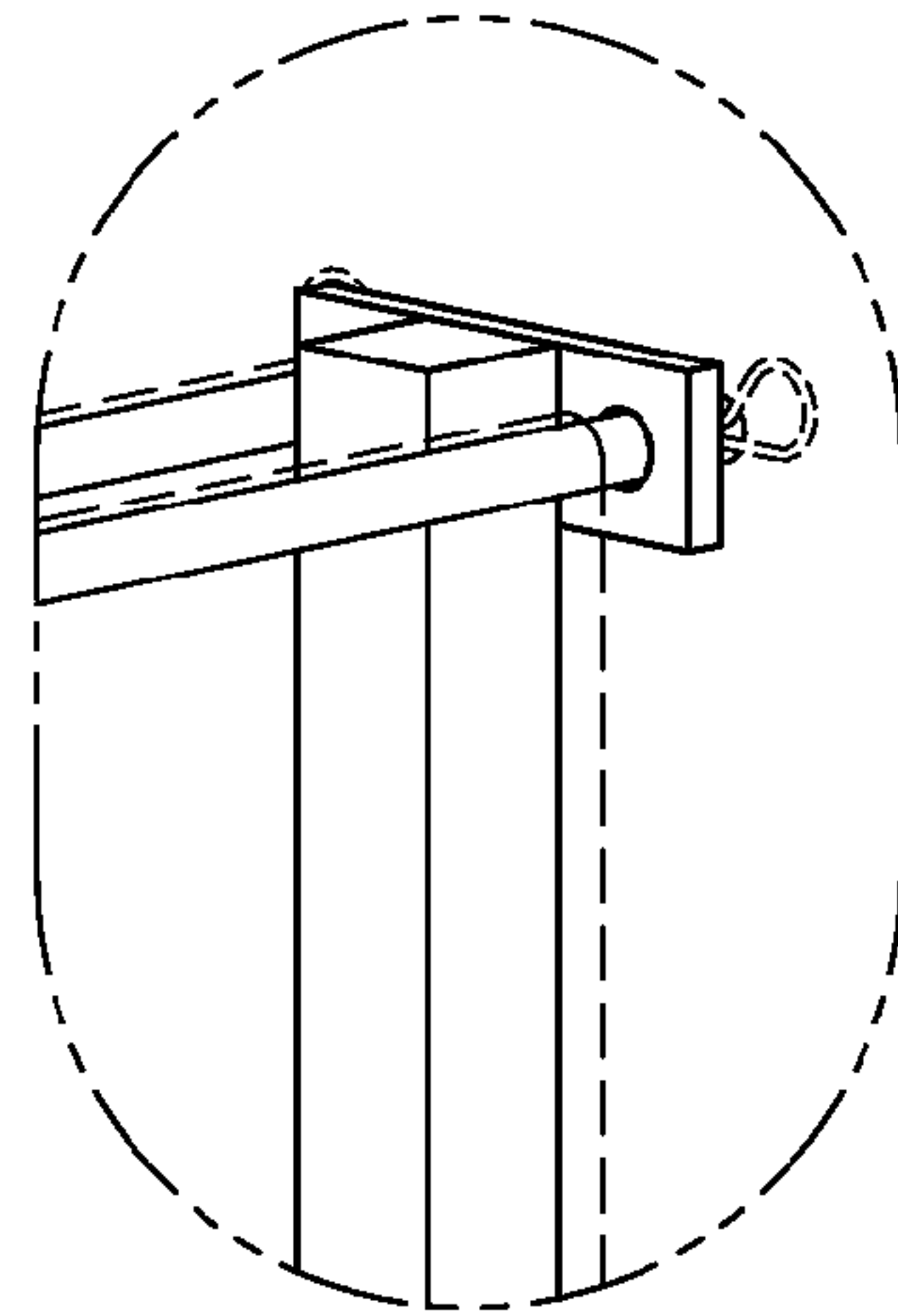
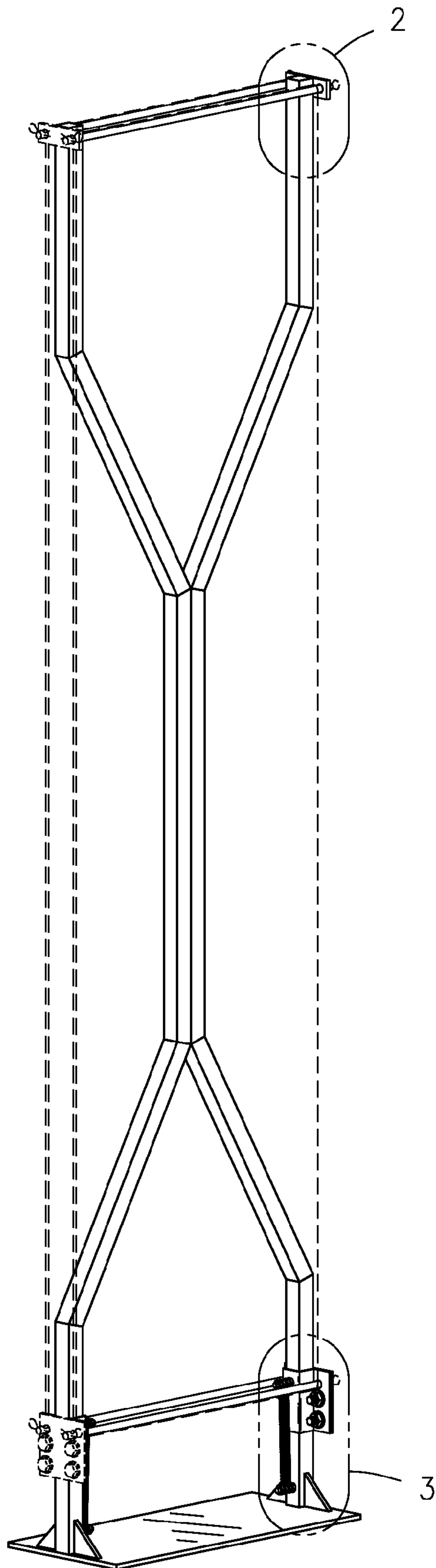


FIG. 2

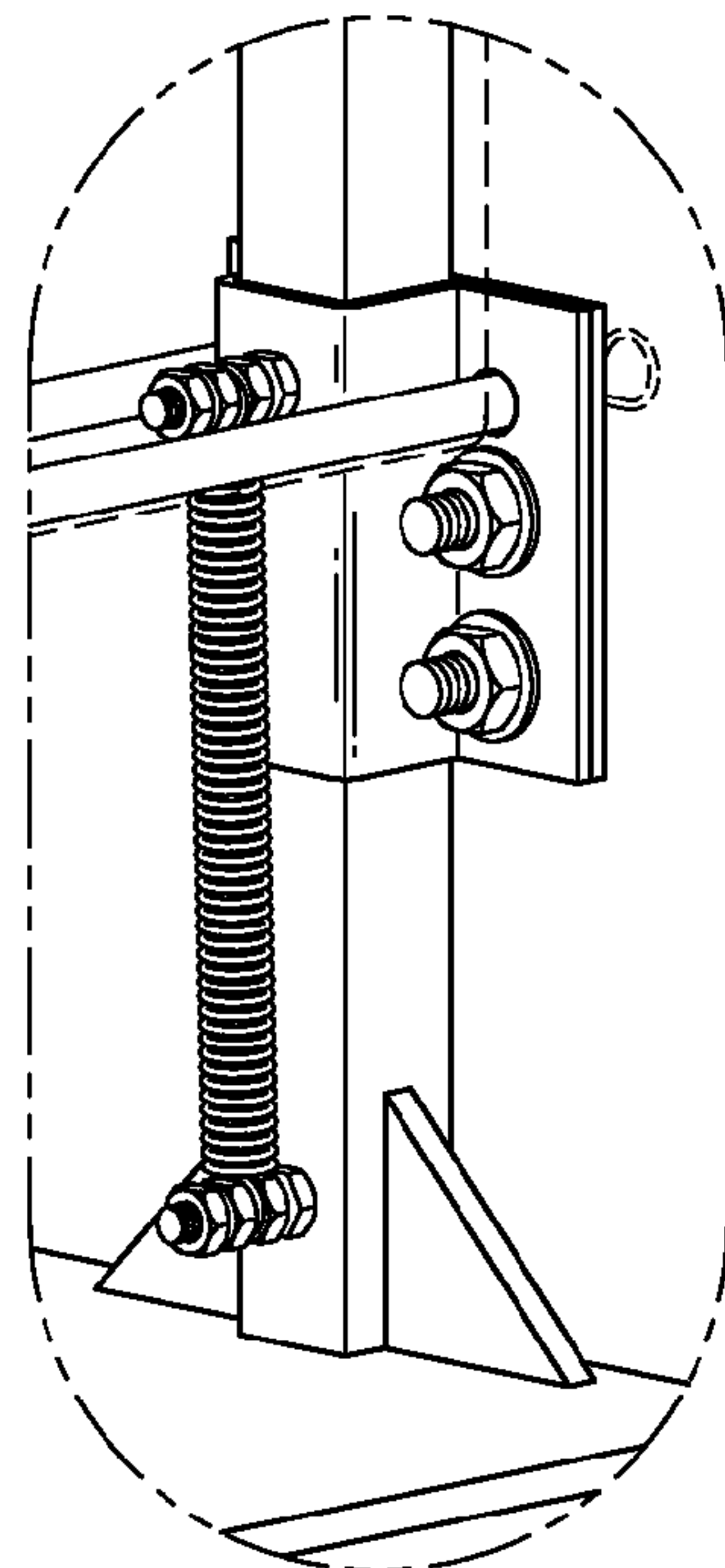


FIG. 3

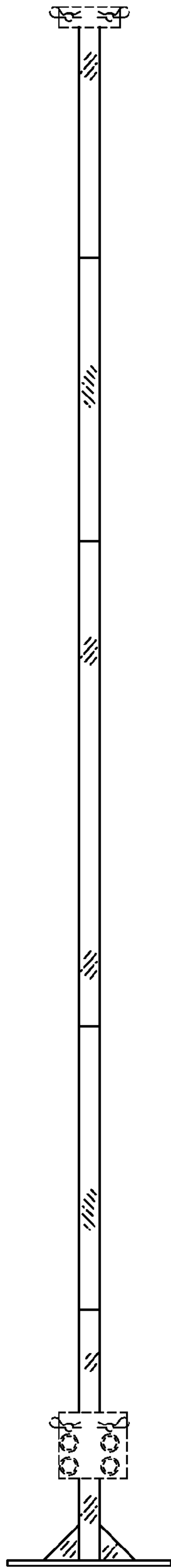


FIG. 4

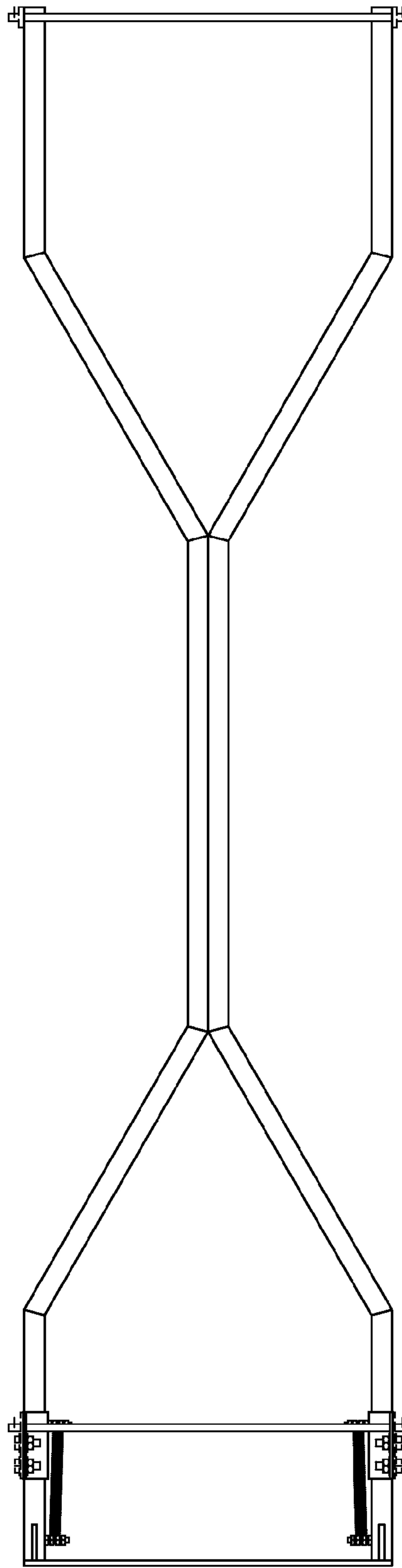


FIG. 5

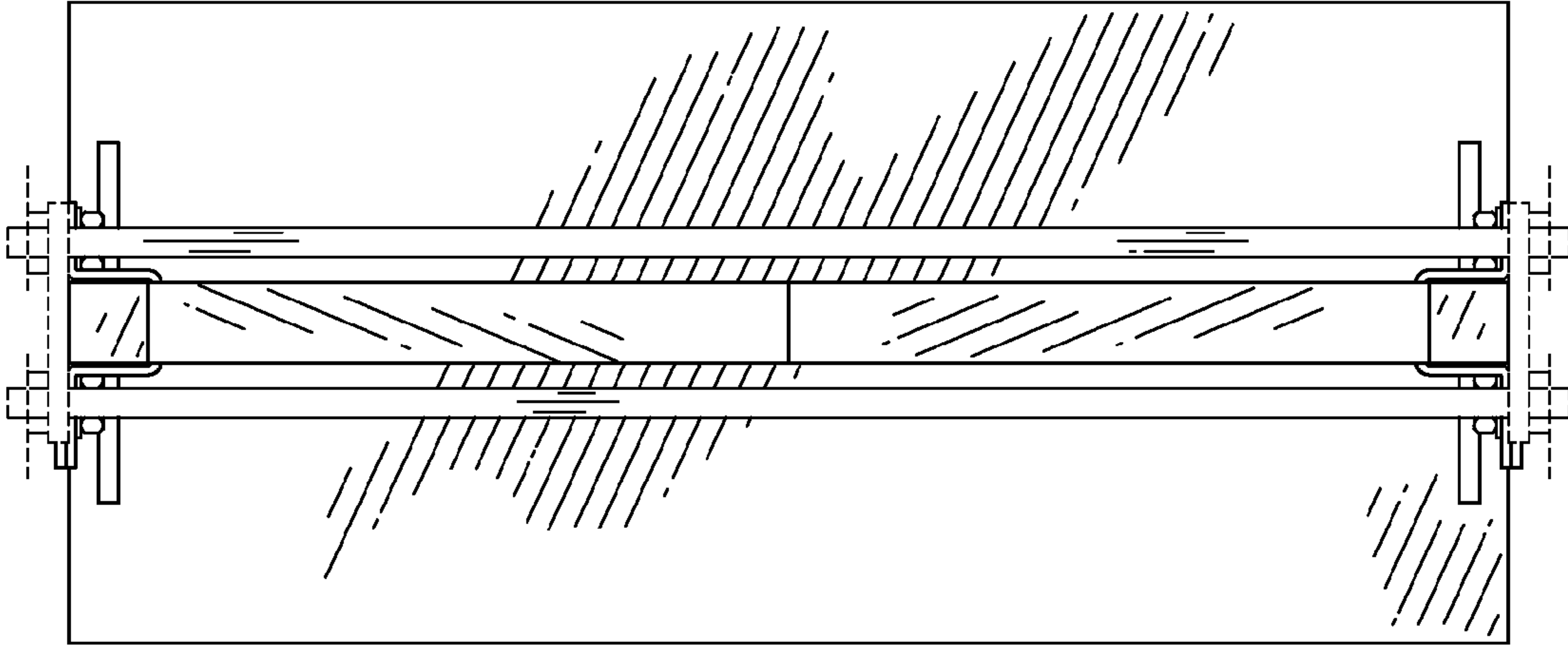


FIG. 6

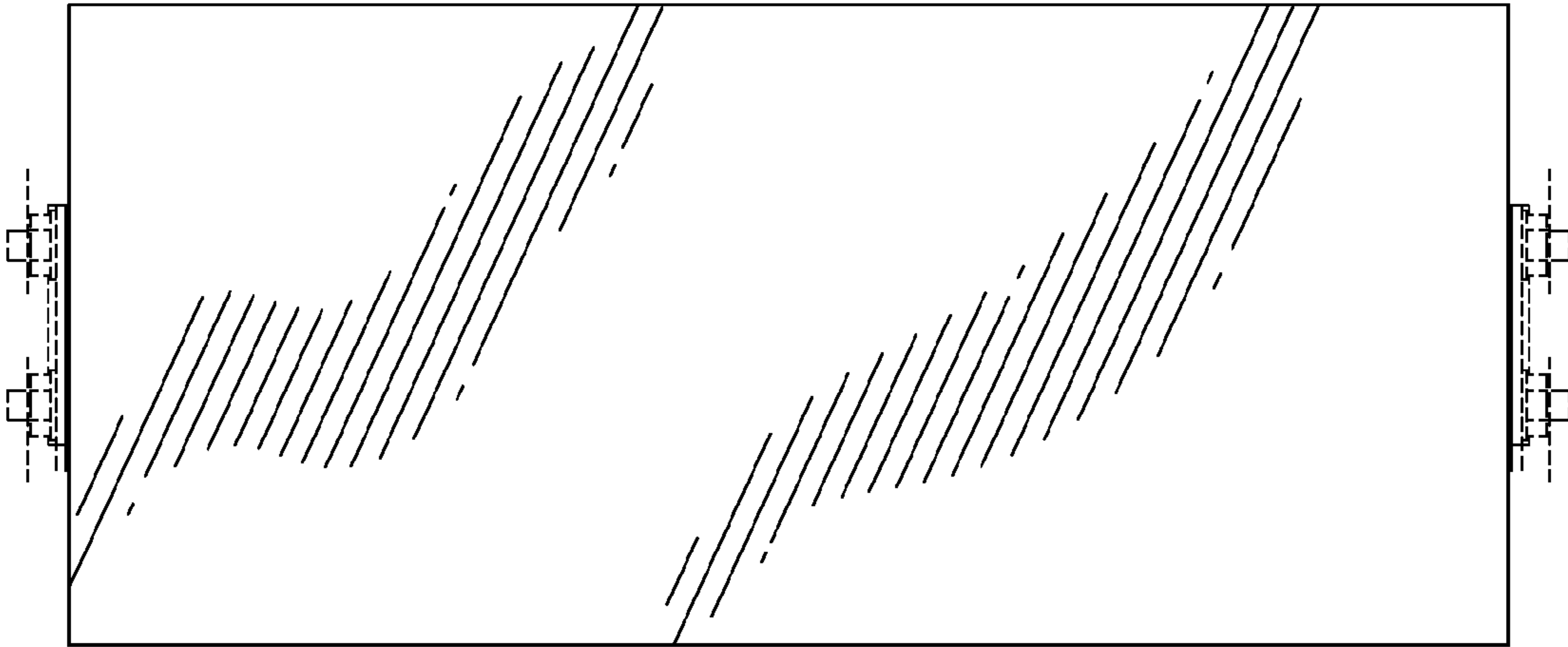


FIG. 7