



US00D622080S

(12) **United States Design Patent**
Sisney et al.

(10) **Patent No.:** **US D622,080 S**
(45) **Date of Patent:** **** Aug. 24, 2010**

(54) **GRID ADAPTER FOR MERCHANDISE BINS**

(75) Inventors: **Scott Sisney**, Rockford, IL (US);
Patrick J. Barkdoll, Pecatonica, IL (US)

(73) Assignee: **Southern Imperial, Inc.**, Rockford, IL (US)

(**) Term: **14 Years**

(21) Appl. No.: **29/336,976**

(22) Filed: **May 13, 2009**

(51) **LOC (9) Cl.** **06-04**

(52) **U.S. Cl.** **D6/446**

(58) **Field of Classification Search** D6/323,
D6/450, 466, 467, 449, 396, 326, 566, 569;
D8/372; 248/302-304, 558, 309.2, 176,
248/200; 211/106.01, 113, 13.1, 123, 118,
211/67.01

See application file for complete search history.

(56) **References Cited**

U.S. PATENT DOCUMENTS

D167,155 S *	7/1952	Leach	D6/326
D323,247 S *	1/1992	Chen	D6/326
D412,250 S *	7/1999	Pardue	D6/323
D485,157 S *	1/2004	Rodrigue	D8/372
D498,135 S *	11/2004	Rodrigue	D8/372

* cited by examiner

Primary Examiner—Philip S Hyder

Assistant Examiner—Sydney R Buffalow

(74) *Attorney, Agent, or Firm*—Reinhart Boerner Van Deuren P.C.

(57) **CLAIM**

The ornamental design for a grid adapter for merchandise bins, as shown and described.

DESCRIPTION

FIG. 1 is an isometric view of an environmental application of an embodiment of the present invention illustrating a grid

adapter for mounting merchandise bins in combination with a wire grid, in which the grid adapter is translucent, and with the wire grid being shown in dashed lines to indicate that the wire grid forms no part of the claimed invention of this application;

FIG. 2 is a front view of the translucent grid adapter shown in FIG. 1;

FIG. 3 is a back view of the translucent grid adapter shown in FIG. 1;

FIG. 4 is a left-side view of the translucent grid adapter shown in FIG. 1;

FIG. 5 is a right-side view of the translucent grid adapter shown in FIG. 1;

FIG. 6 is a top view of the translucent grid adapter shown in FIG. 1;

FIG. 7 is a bottom view of the translucent grid adapter shown in FIG. 1;

FIG. 8 is an isometric view of an environmental application of an embodiment of the present invention illustrating a grid adapter for mounting merchandise bins in combination with a wire grid, in which the grid adapter is opaque, and with the wire grid being shown in dashed lines to indicate that the wire grid forms no part of the claimed invention of this application;

FIG. 9 is a front view of the opaque grid adapter shown in FIG. 8;

FIG. 10 is a back view of the opaque grid adapter shown in FIG. 8;

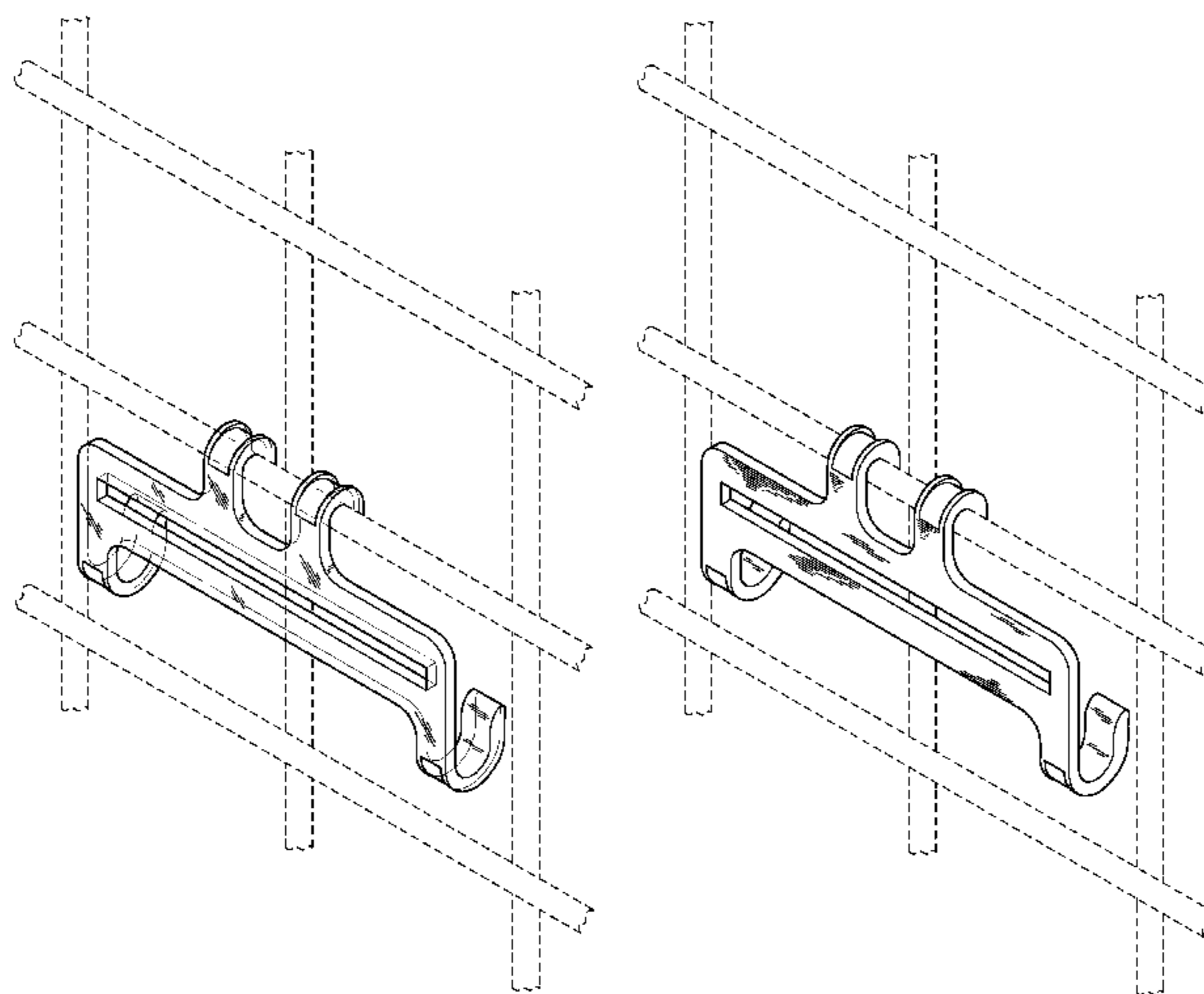
FIG. 11 is a left-side view of the opaque grid adapter shown in FIG. 8;

FIG. 12 is a right-side view of the opaque grid adapter shown in FIG. 8;

FIG. 13 is a top view of the opaque grid adapter shown in FIG. 8; and,

FIG. 14 is a bottom view of the opaque grid adapter shown in FIG. 8.

1 Claim, 8 Drawing Sheets



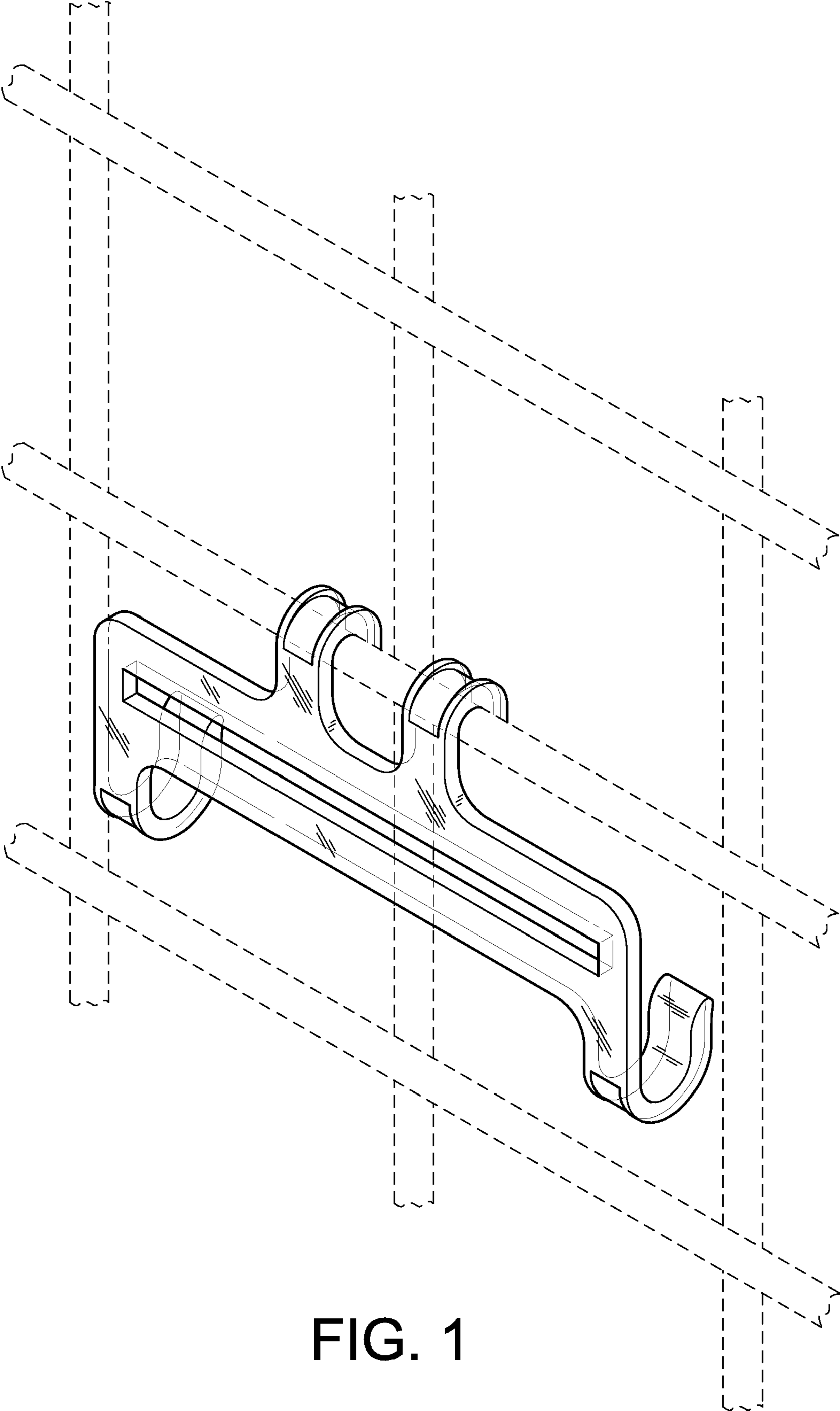


FIG. 1

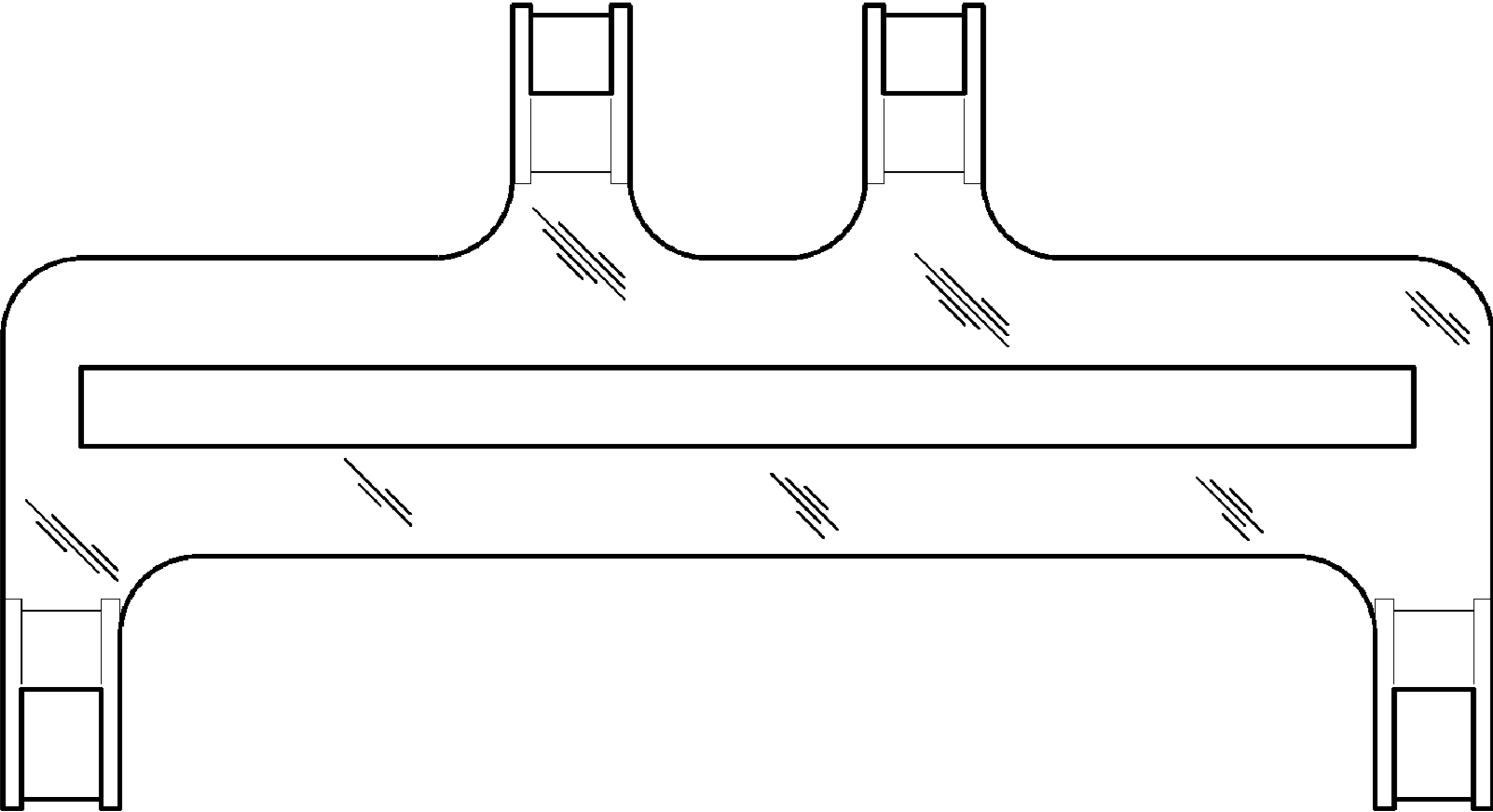


FIG. 2

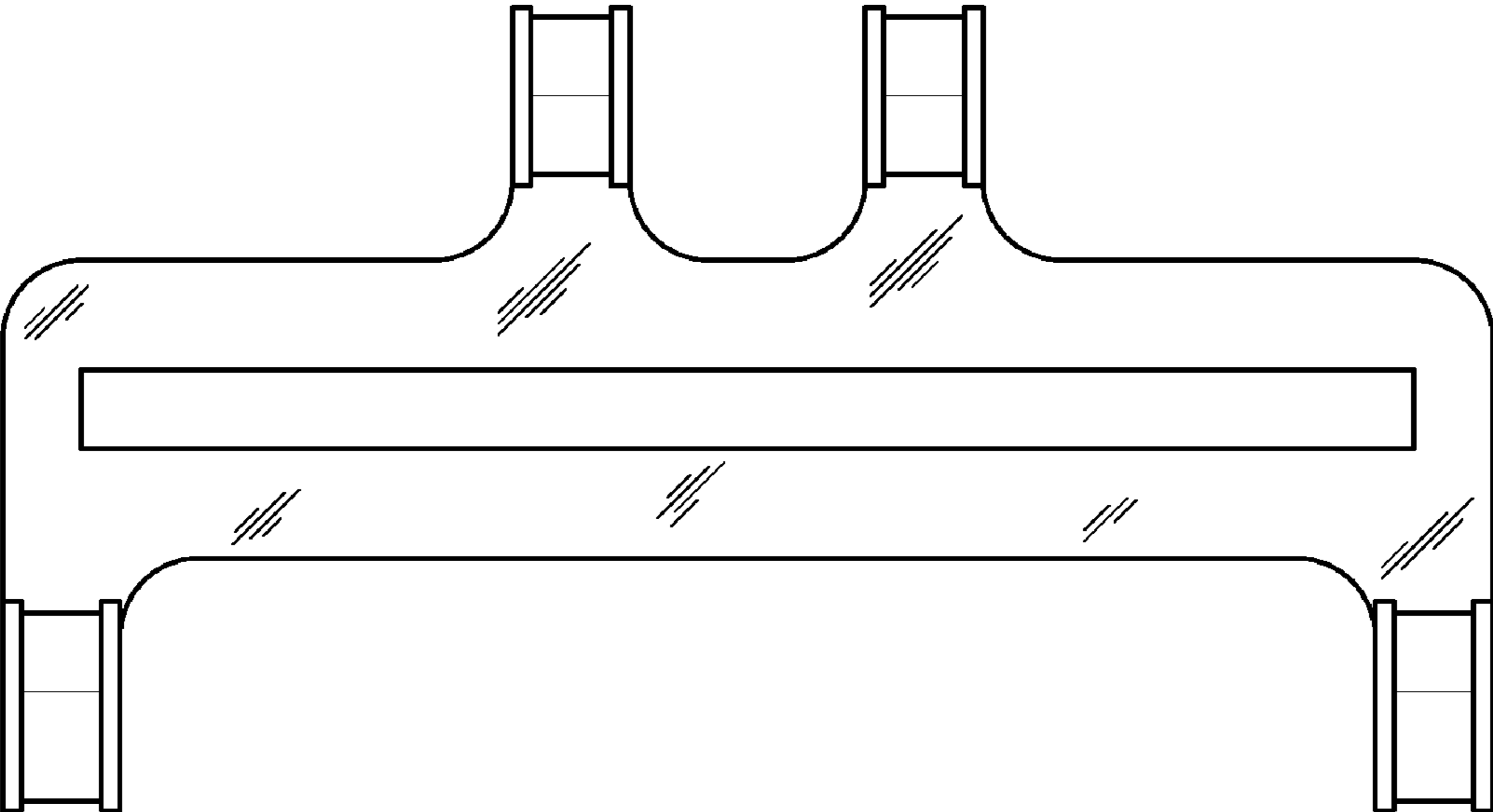


FIG. 3



FIG. 4

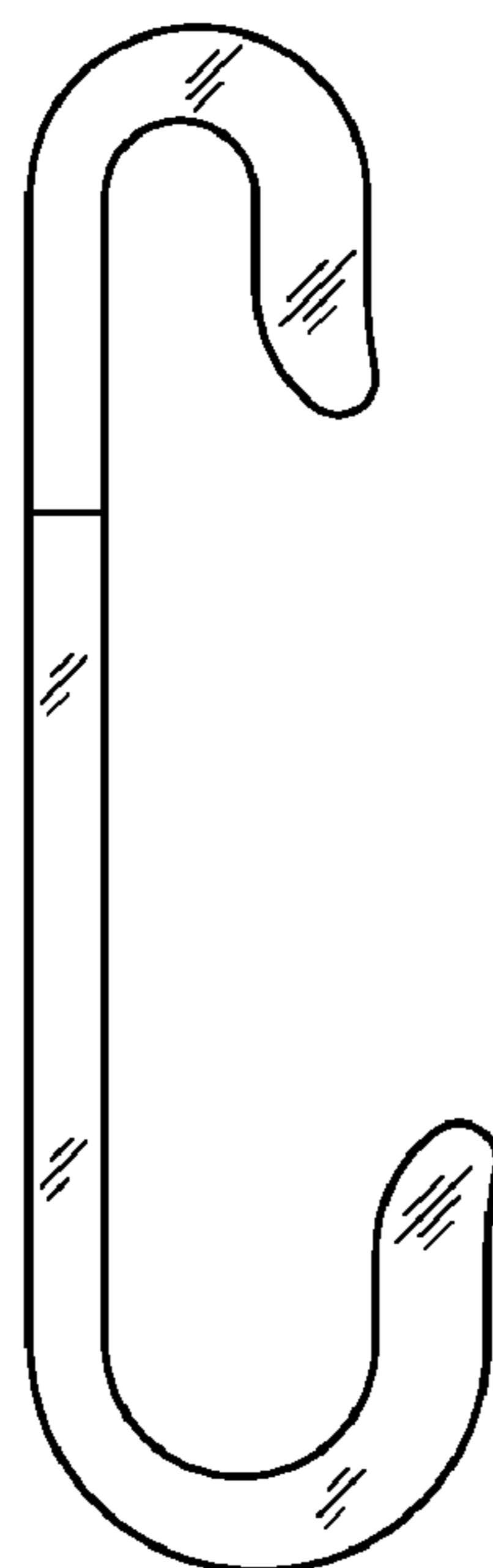


FIG. 5

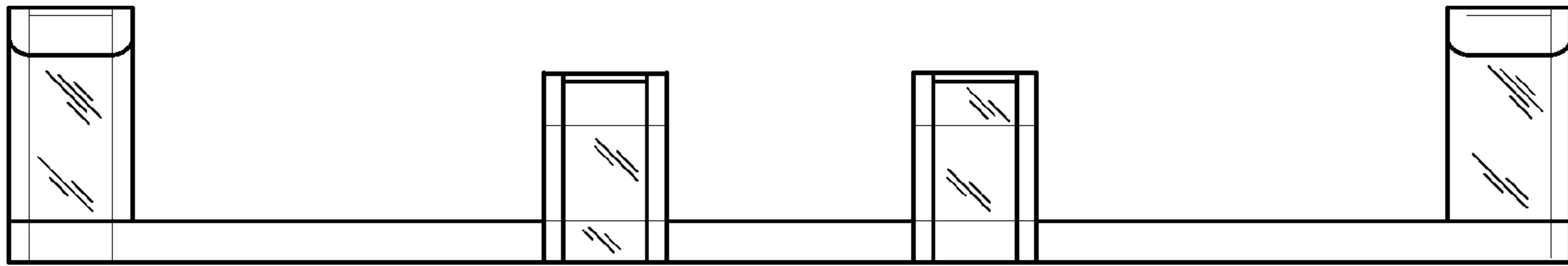


FIG. 6

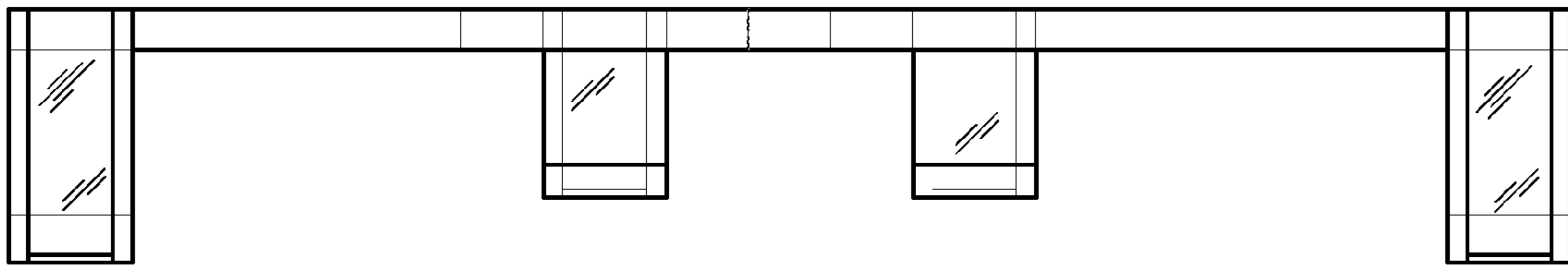


FIG. 7

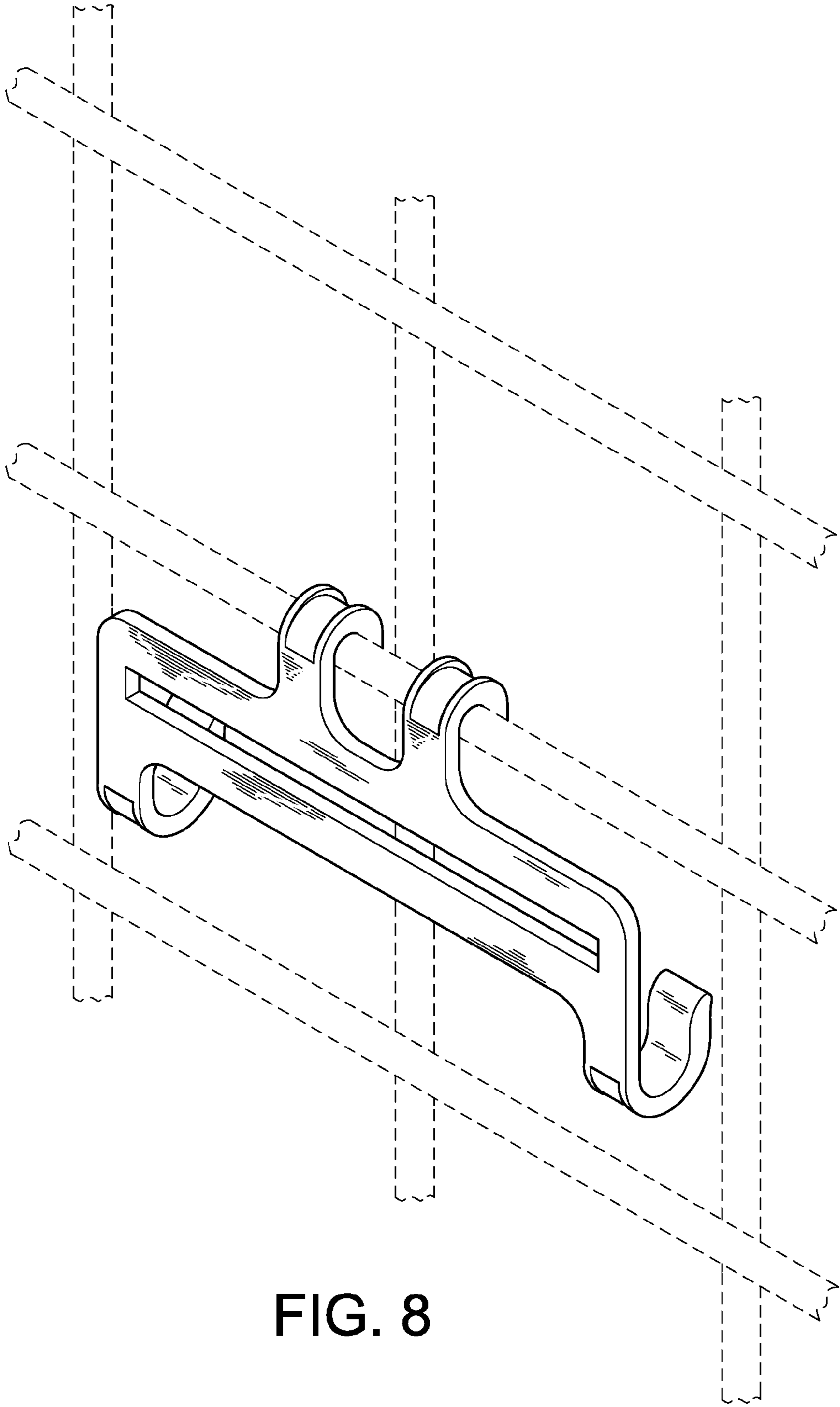


FIG. 8

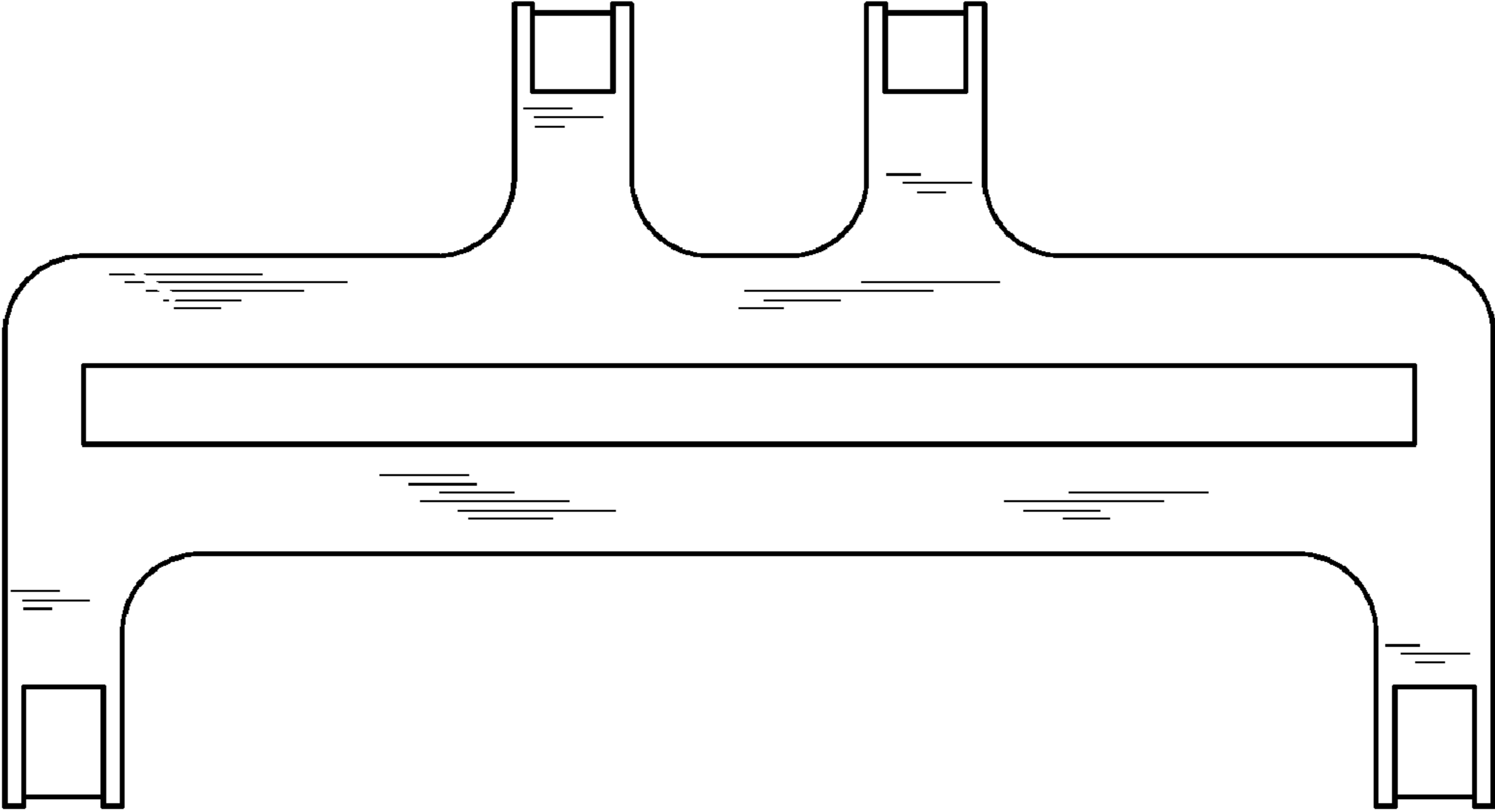


FIG. 9

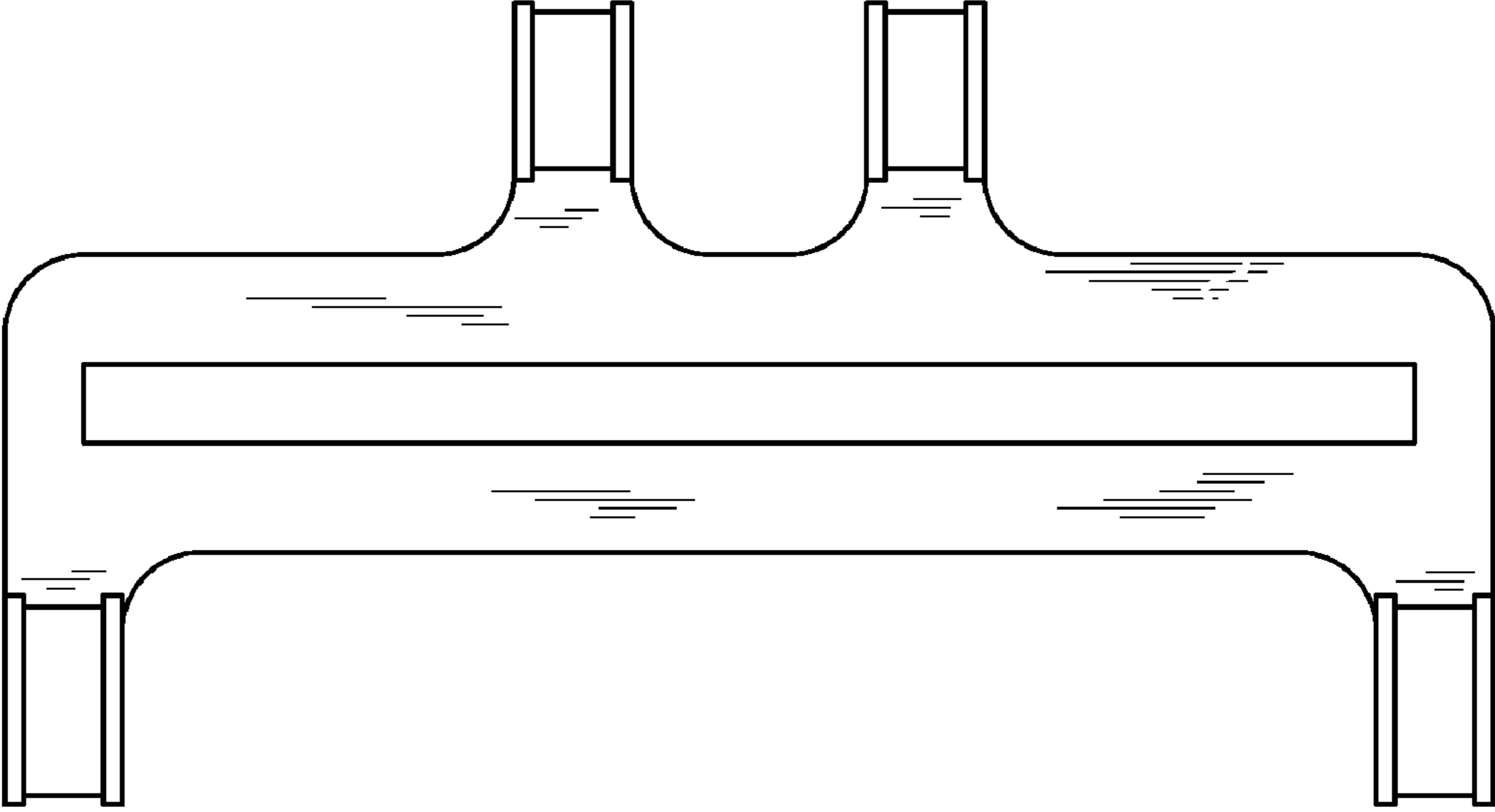


FIG. 10

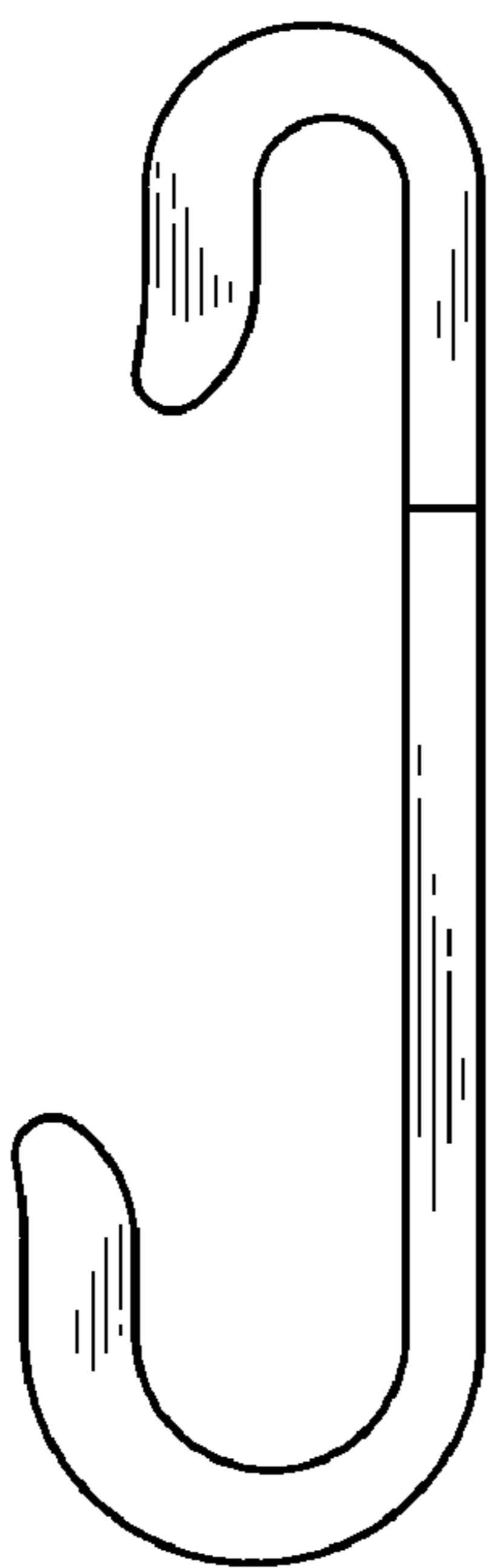


FIG. 11

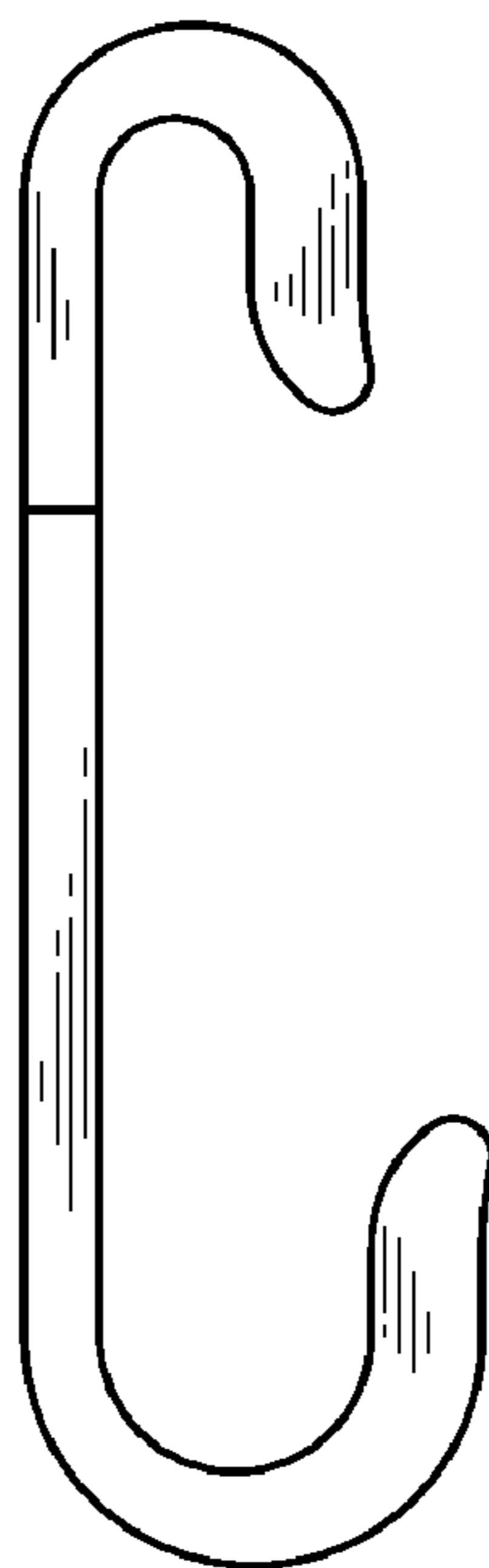


FIG. 12

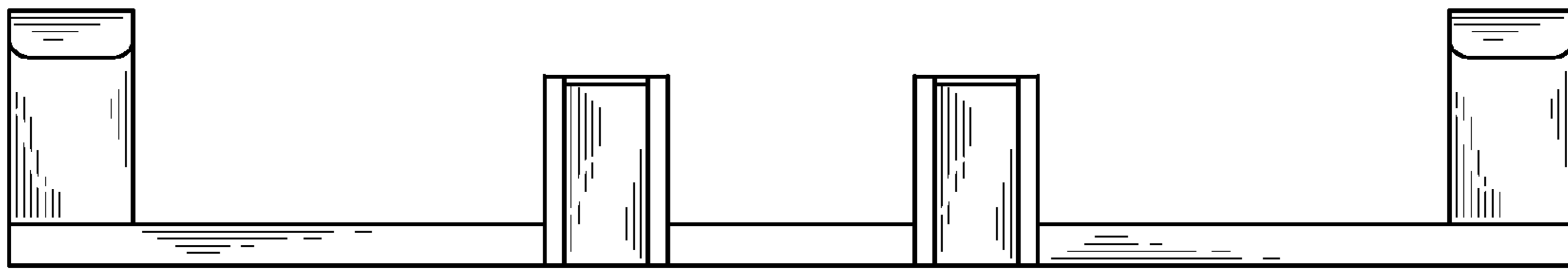


FIG. 13

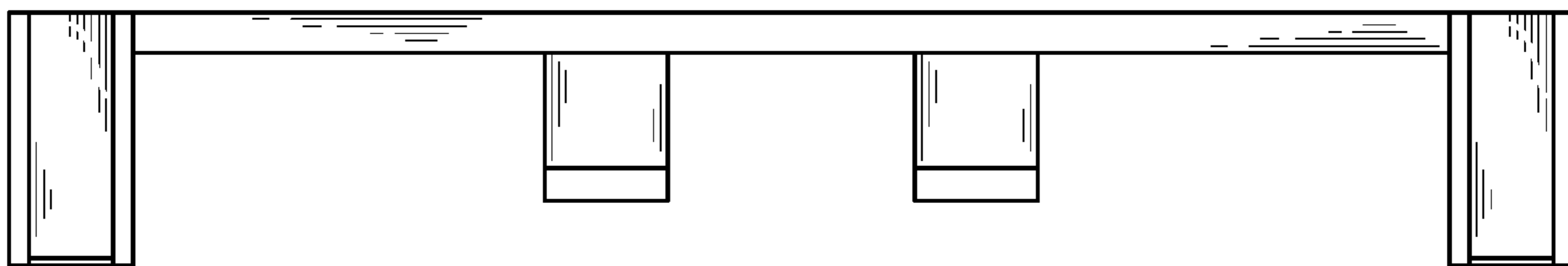


FIG. 14