



US00D622071S

(12) **United States Design Patent**  
**Petrucelli**

(10) **Patent No.:** **US D622,071 S**

(45) **Date of Patent:** **\*\* Aug. 24, 2010**

(54) **BEAUTY SALON BACK-WASH APPARATUS WITH MOVABLE SEAT**

(75) Inventor: **Giulio Petrucelli**, Flushing, NY (US)

(73) Assignee: **P.S. Pibbs, Inc.**, Flushing, NY (US)

(\*\*) Term: **14 Years**

(21) Appl. No.: **29/348,634**

(22) Filed: **Jan. 25, 2010**

(51) **LOC (9) Cl.** ..... **06-01**

(52) **U.S. Cl.** ..... **D6/336**

(58) **Field of Classification Search** ..... D6/330,  
D6/335-338, 340, 349-355, 358, 359, 364,  
D6/366, 376, 491, 495, 500-502; 297/16.1,  
297/39, 46, 135, 140, 156, 158.3, 158.4,  
297/175, 177, 187, 195.1, 195.11, 211, 245,  
297/423.1, 423.16, 445.1, 461, 462; D23/277,  
D23/289; D24/204

See application file for complete search history.

(56) **References Cited**

**U.S. PATENT DOCUMENTS**

2,332,904	A *	10/1943	Ellinger	4/517
3,292,186	A *	12/1966	Turmenne et al.	4/519
4,167,048	A *	9/1979	Williams	4/517
4,240,662	A *	12/1980	Anderson	297/17
D333,343	S *	2/1993	Farchione	D28/20
D342,165	S *	12/1993	Marshall et al.	D6/335
6,115,856	A *	9/2000	Najar	4/523
D459,448	S *	6/2002	Minami	D23/289
D462,423	S *	9/2002	Minami	D23/289
6,463,597	B2 *	10/2002	Ishimura	4/515
6,517,162	B2 *	2/2003	Cheng	297/440.14
D472,720	S *	4/2003	Cheng	D6/335

D489,189	S *	5/2004	Cheng	D6/335
D523,539	S *	6/2006	Kabata et al.	D23/289
D564,265	S *	3/2008	Petrucelli	D6/500
D608,898	S *	1/2010	Ton	D24/204

\* cited by examiner

*Primary Examiner*—Sandra Snapp

(74) *Attorney, Agent, or Firm*—Gerald E. Hespos; Michael J. Porco

(57) **CLAIM**

The ornamental design for a beauty salon back-wash apparatus with movable seat, as shown and described.

**DESCRIPTION**

FIG. 1 is a perspective view of a beauty salon back-wash apparatus with movable seat showing my new design;

FIG. 2 is a top plan view of the beauty salon back-wash apparatus with movable seat of FIG. 1;

FIG. 3 is a front elevational view of the beauty salon back-wash apparatus with movable seat of FIG. 1;

FIG. 4 is a right side elevational view of the beauty salon back-wash apparatus with movable seat of FIG. 1;

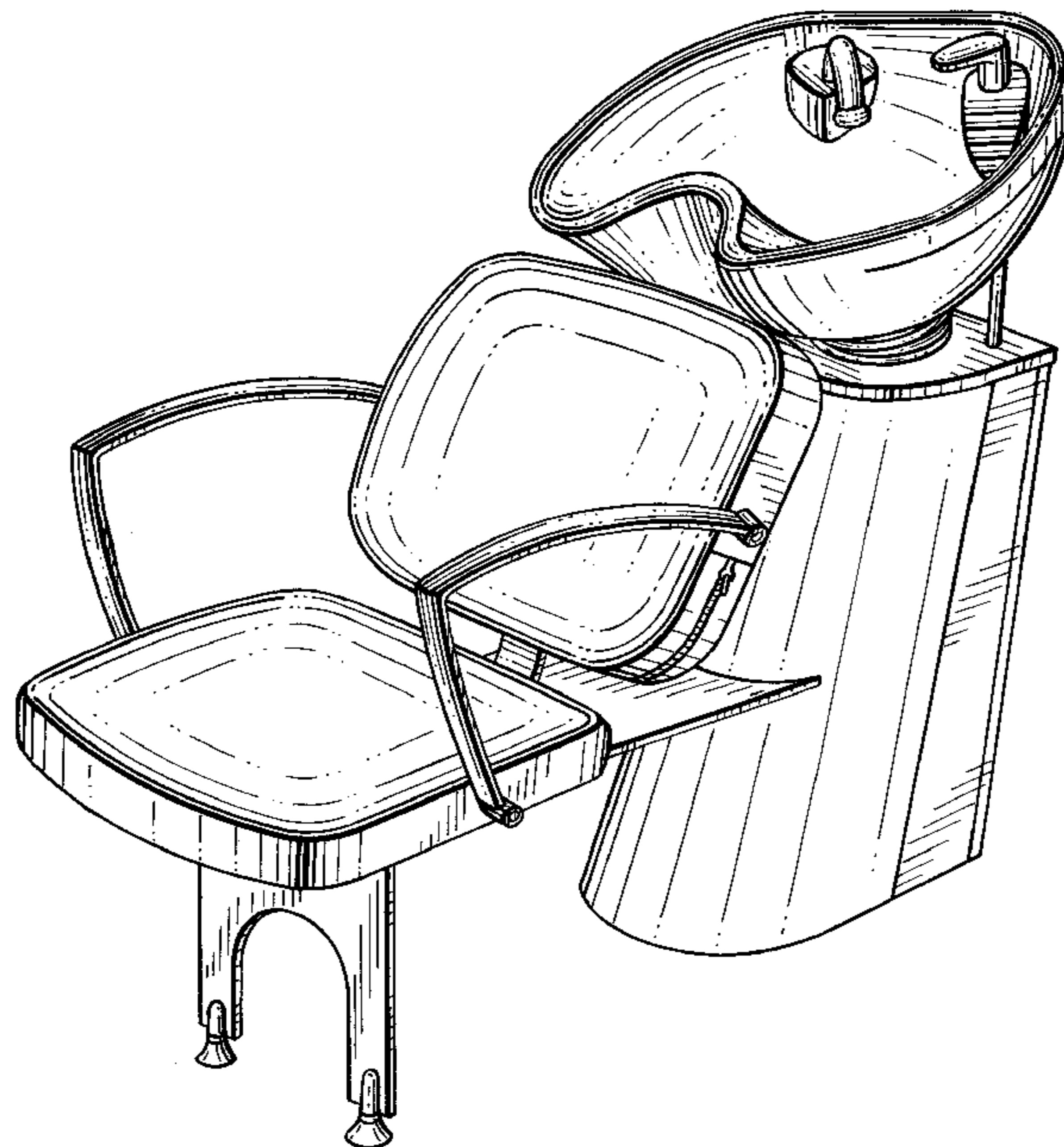
FIG. 5 is a left side elevational view of the beauty salon back-wash apparatus with movable seat of FIG. 1;

FIG. 6 is a back elevational view of the beauty salon back-wash apparatus with movable seat of FIG. 1;

FIG. 7 is a bottom plan view of the beauty salon back-wash apparatus with movable seat of FIG. 1; and,

FIG. 8 is a right side elevational view of the beauty salon back-wash apparatus with movable seat of FIG. 1, with the seat being in the retracted position.

**1 Claim, 8 Drawing Sheets**



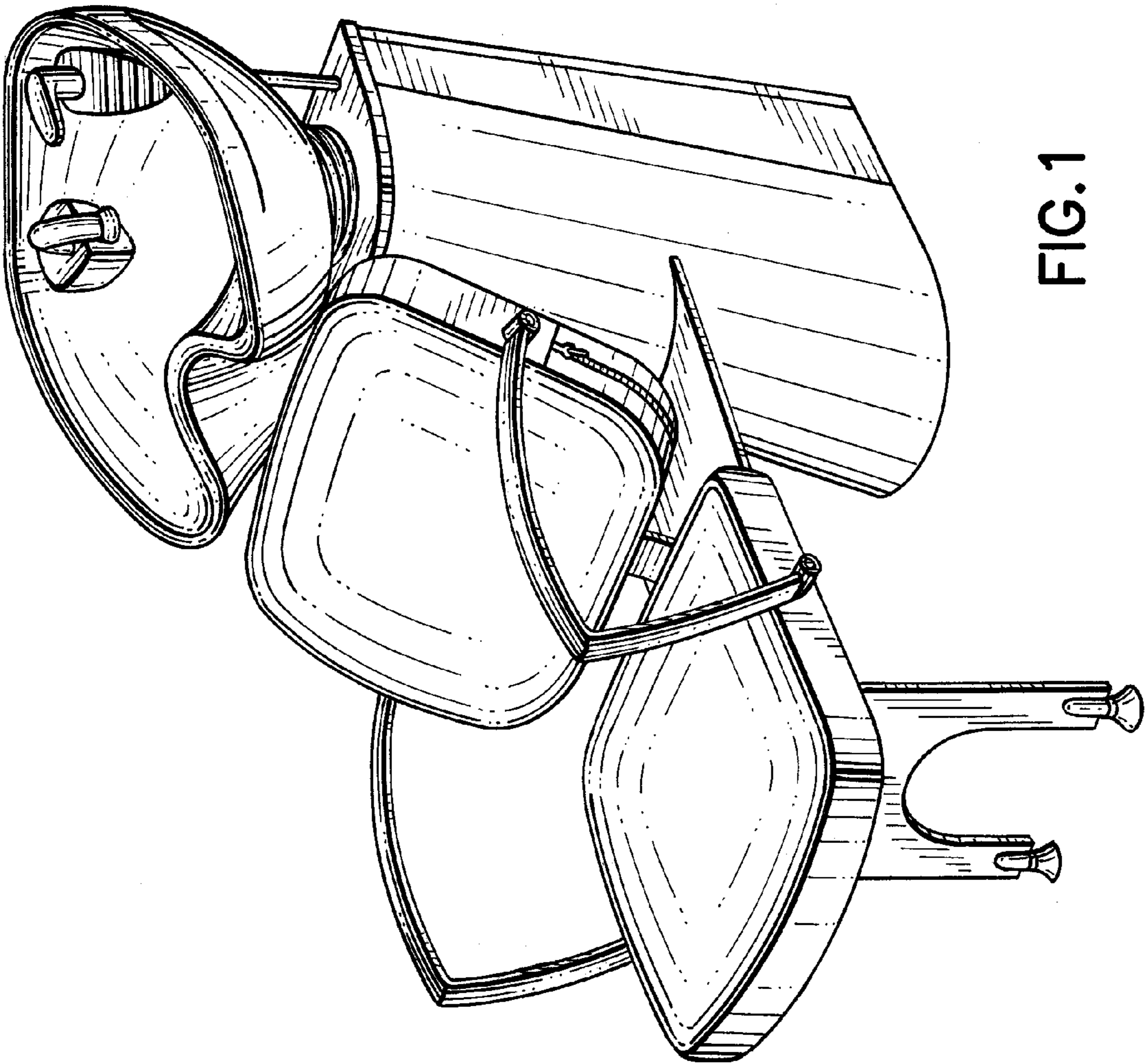


FIG. 1

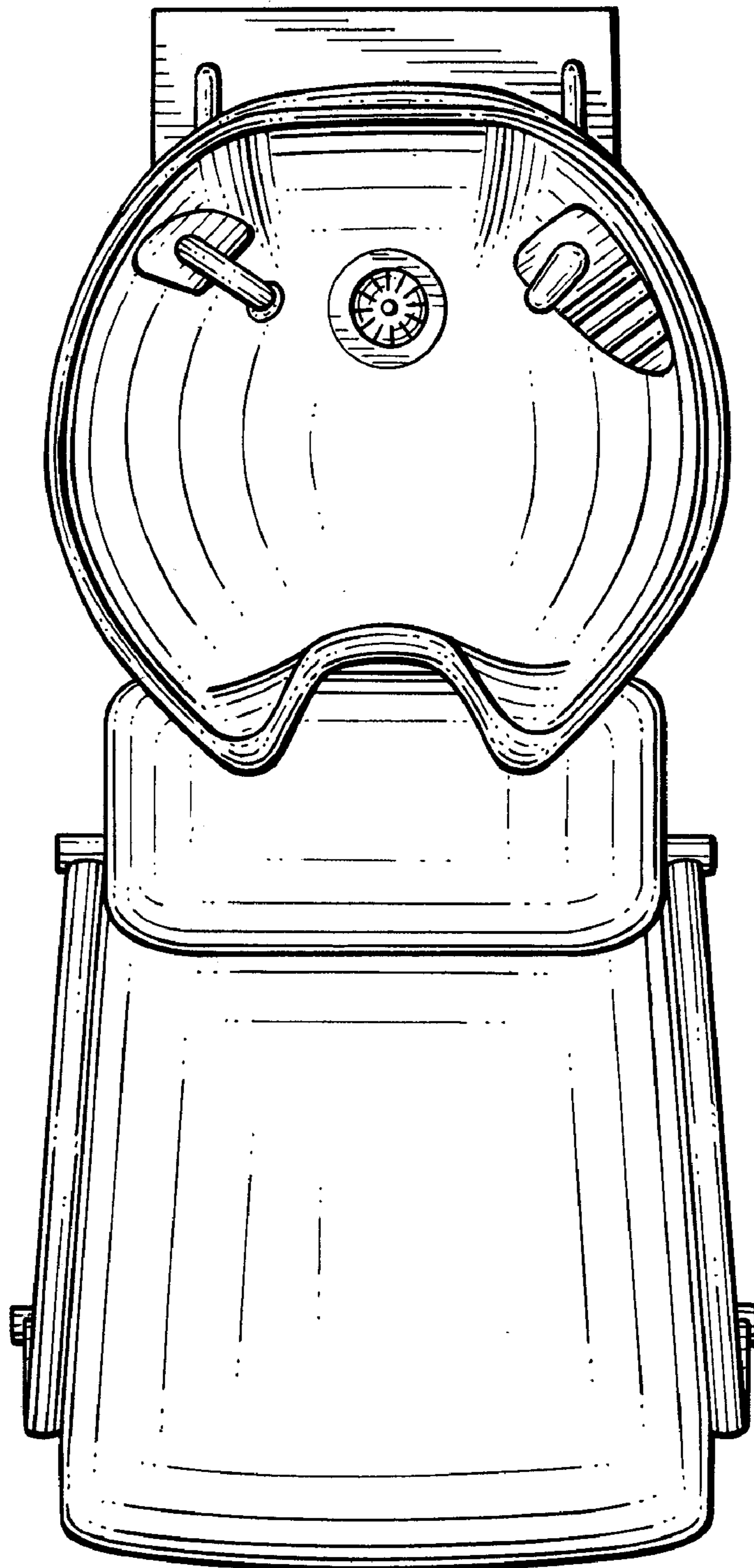


FIG.2

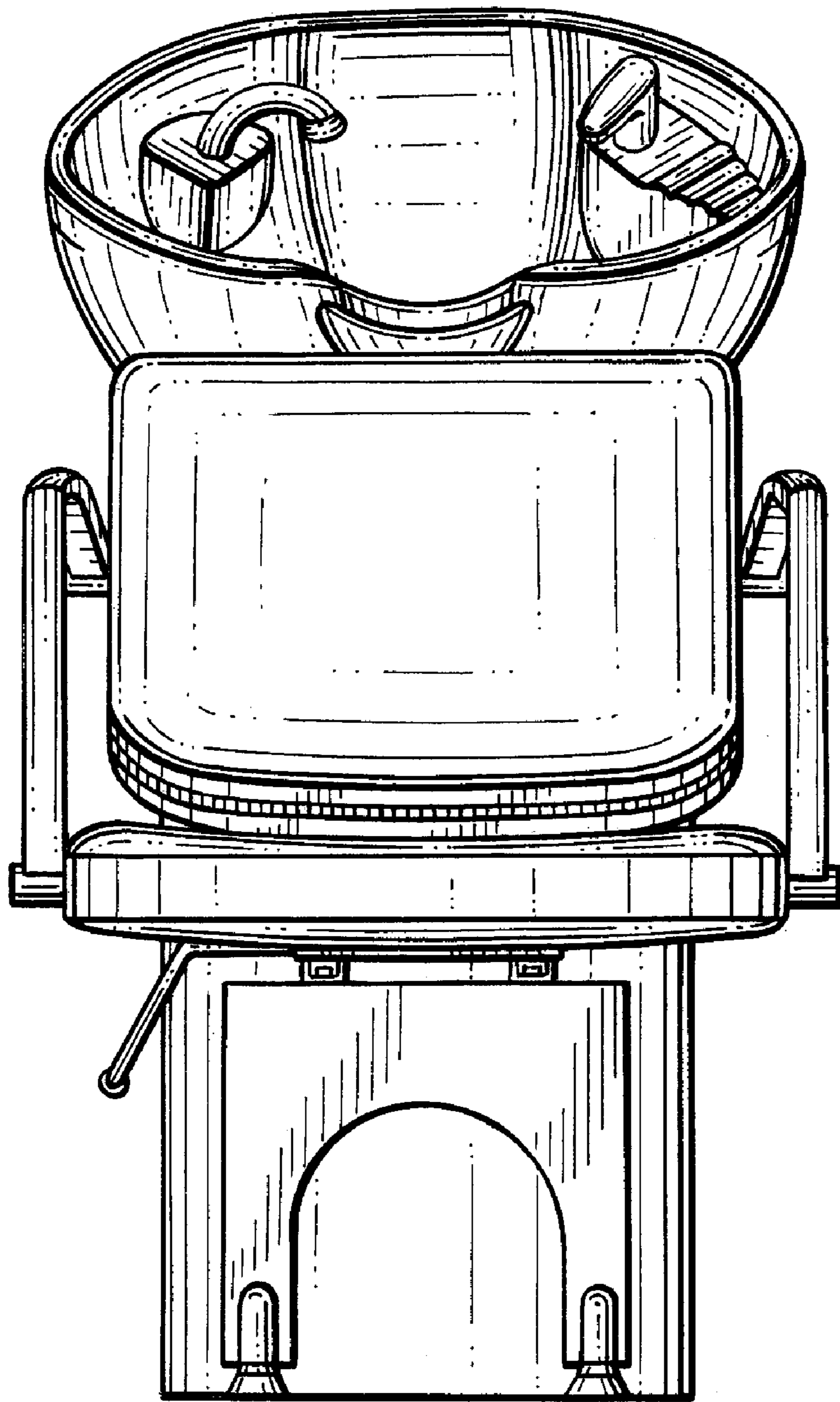


FIG.3

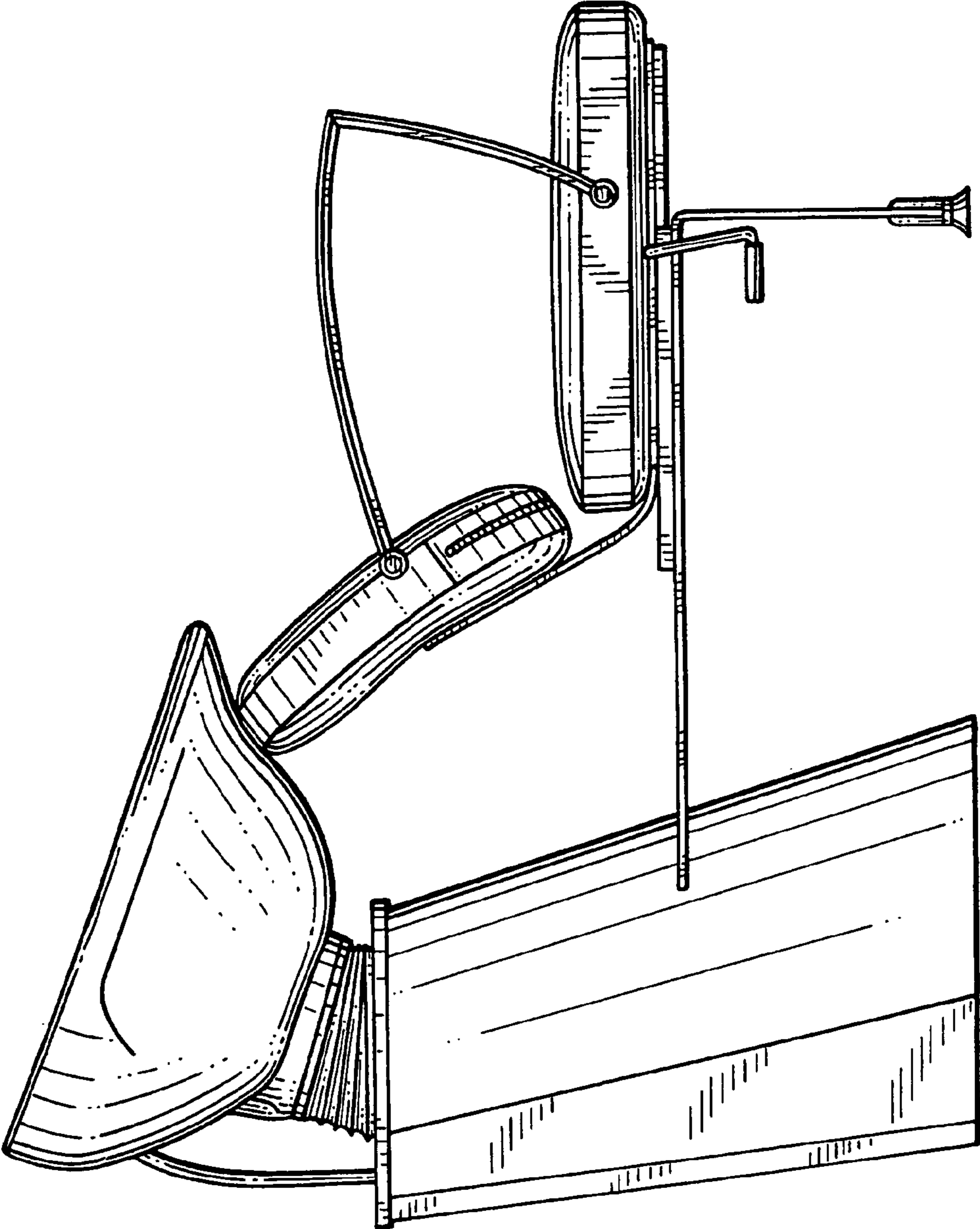


FIG.4

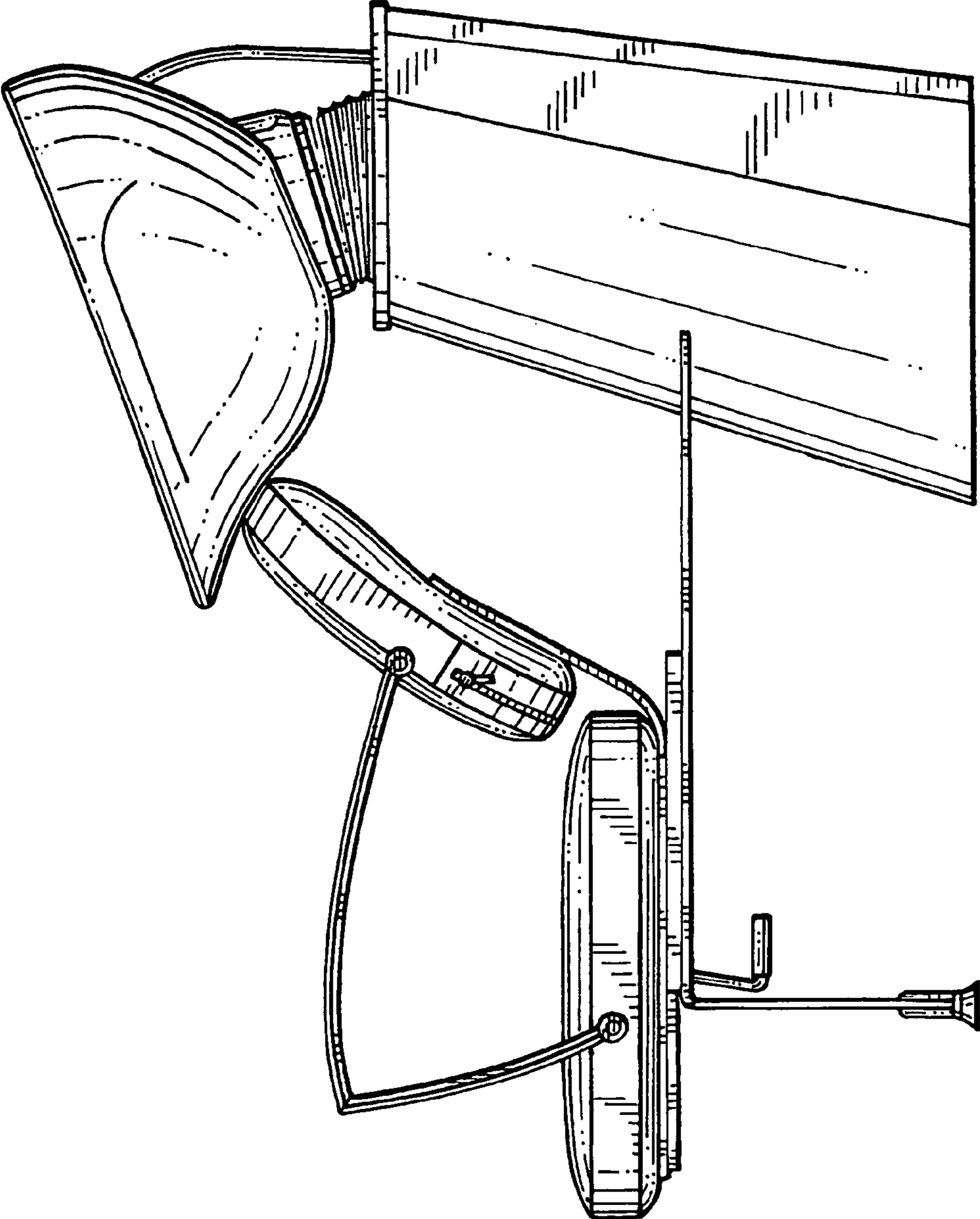


FIG.5

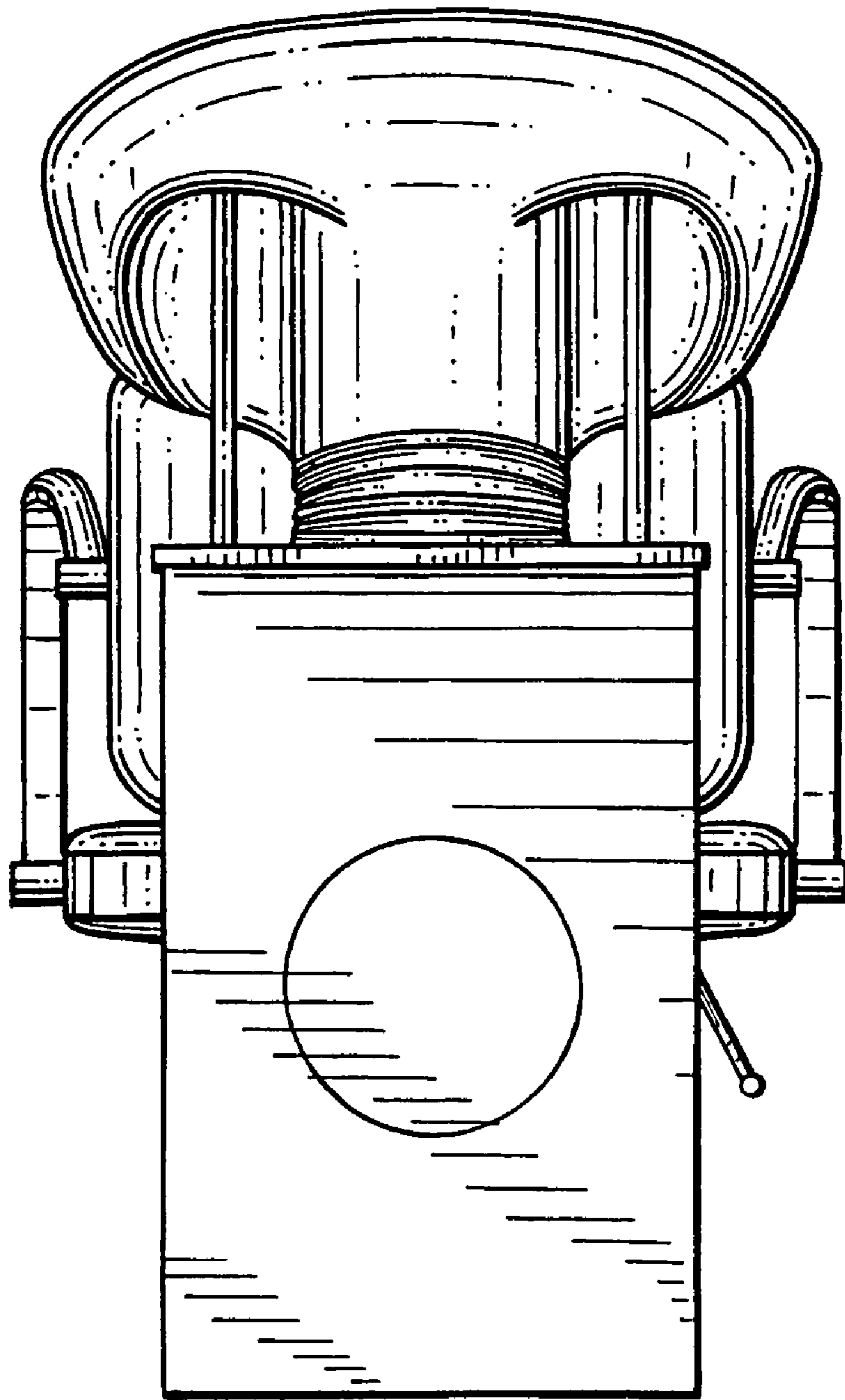


FIG. 6

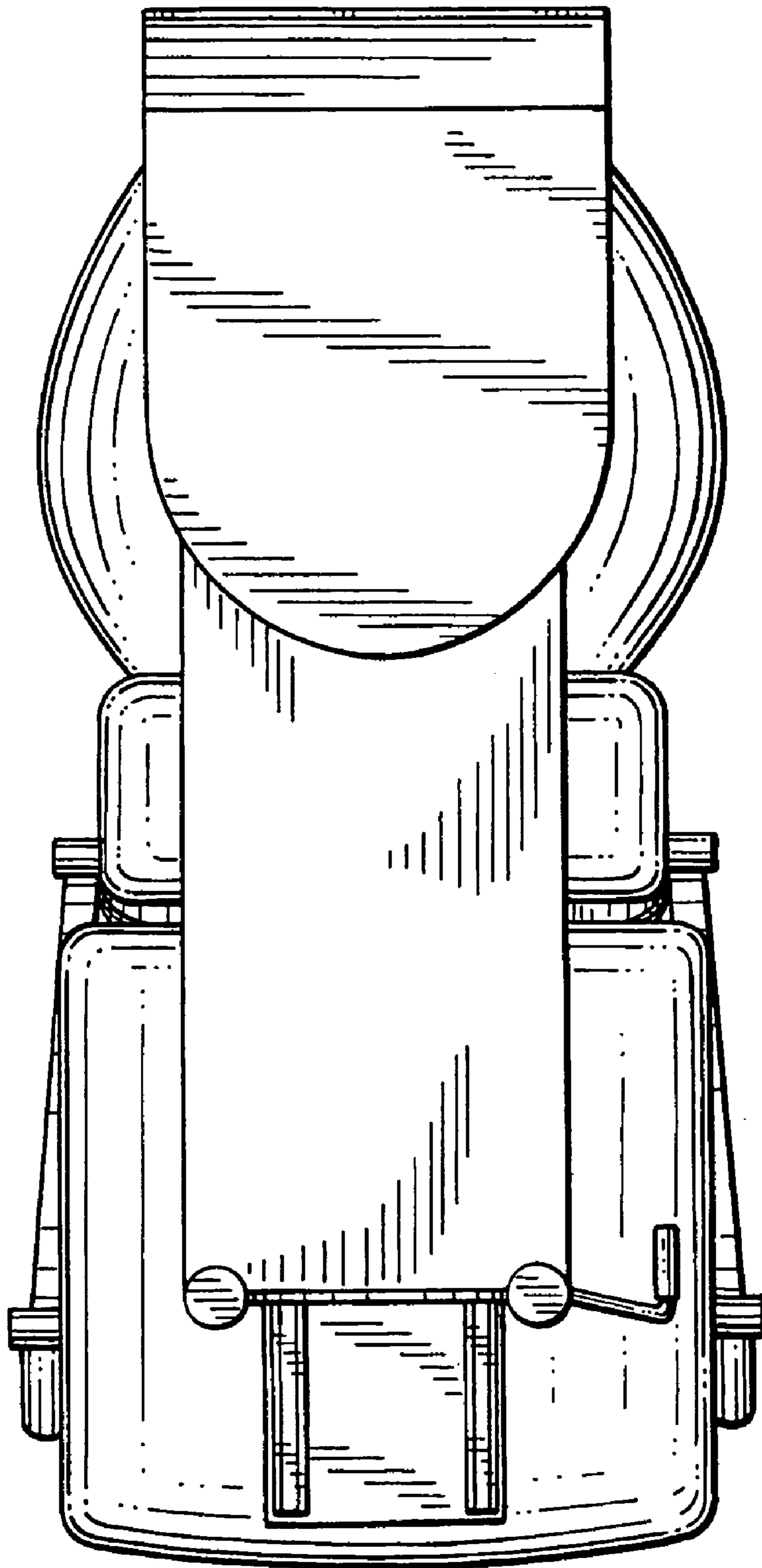


FIG. 7



FIG. 8

