



US00D622070S

(12) **United States Design Patent**
Holbrook

(10) **Patent No.:** **US D622,070 S**

(45) **Date of Patent:** **** Aug. 24, 2010**

(54) **INFANT CARRIER SEAT ROCKER
ACCESSORY**

(76) Inventor: **Paul Robert Holbrook**, 2218 Miramar
La., Buffalo Grove, IL (US) 60089

(**) Term: **14 Years**

(21) Appl. No.: **29/349,834**

(22) Filed: **May 7, 2010**

Related U.S. Application Data

(62) Division of application No. 29/348,028, filed on Nov.
19, 2009, now Pat. No. Des. 618,926.

(51) **LOC (9) Cl.** **06-01**

(52) **U.S. Cl.** **D6/333**

(58) **Field of Classification Search** D6/333,
D6/335, 339, 491, 500-502; D12/129; D21/412,
D21/419; 280/30, 31; 5/94, 98.1, 99.1, 101,
5/102, 105, 655; 297/183.1, 183.2, 183.3,
297/183.4, 184.13, 184.15, 184.17, 250.1,
297/255, 256.1, 256.15, 256.16; 24/200,
24/211

See application file for complete search history.

(56) **References Cited**

U.S. PATENT DOCUMENTS

4,620,334	A *	11/1986	Robinson	5/108
4,656,680	A *	4/1987	Wilson	5/108
4,911,499	A	3/1990	Meeker		
5,342,113	A *	8/1994	Wu	297/260.2
5,711,045	A *	1/1998	Caster et al.	5/109
5,863,097	A *	1/1999	Harper et al.	297/260.2
6,378,940	B1 *	4/2002	Longoria et al.	297/217.3
6,431,646	B1 *	8/2002	Longoria	297/217.3
6,594,840	B2 *	7/2003	Tomas et al.	5/655
6,966,082	B2	11/2005	Bloemer et al.		

7,395,560	B2	7/2008	Bloemer et al.		
7,485,086	B2 *	2/2009	Dickie	600/28
7,551,100	B1 *	6/2009	Salley et al.	340/692
2002/0113469	A1	8/2002	Stern et al.		
2007/0120404	A1	5/2007	Bellows et al.		

* cited by examiner

Primary Examiner—Sandra Snapp

(57) **CLAIM**

The ornamental design for an infant carrier seat rocker acces-
sory, as shown and described.

DESCRIPTION

FIG. 1 is a perspective view of an infant carrier seat rocker
accessory of my new design;

FIG. 2 is a left elevational view thereof, the right side being a
mirror image;

FIG. 3 is a front elevational view thereof, the rear being a
mirror image;

FIG. 4 is a top plan elevational view thereof;

FIG. 5 is a bottom plan view thereof;

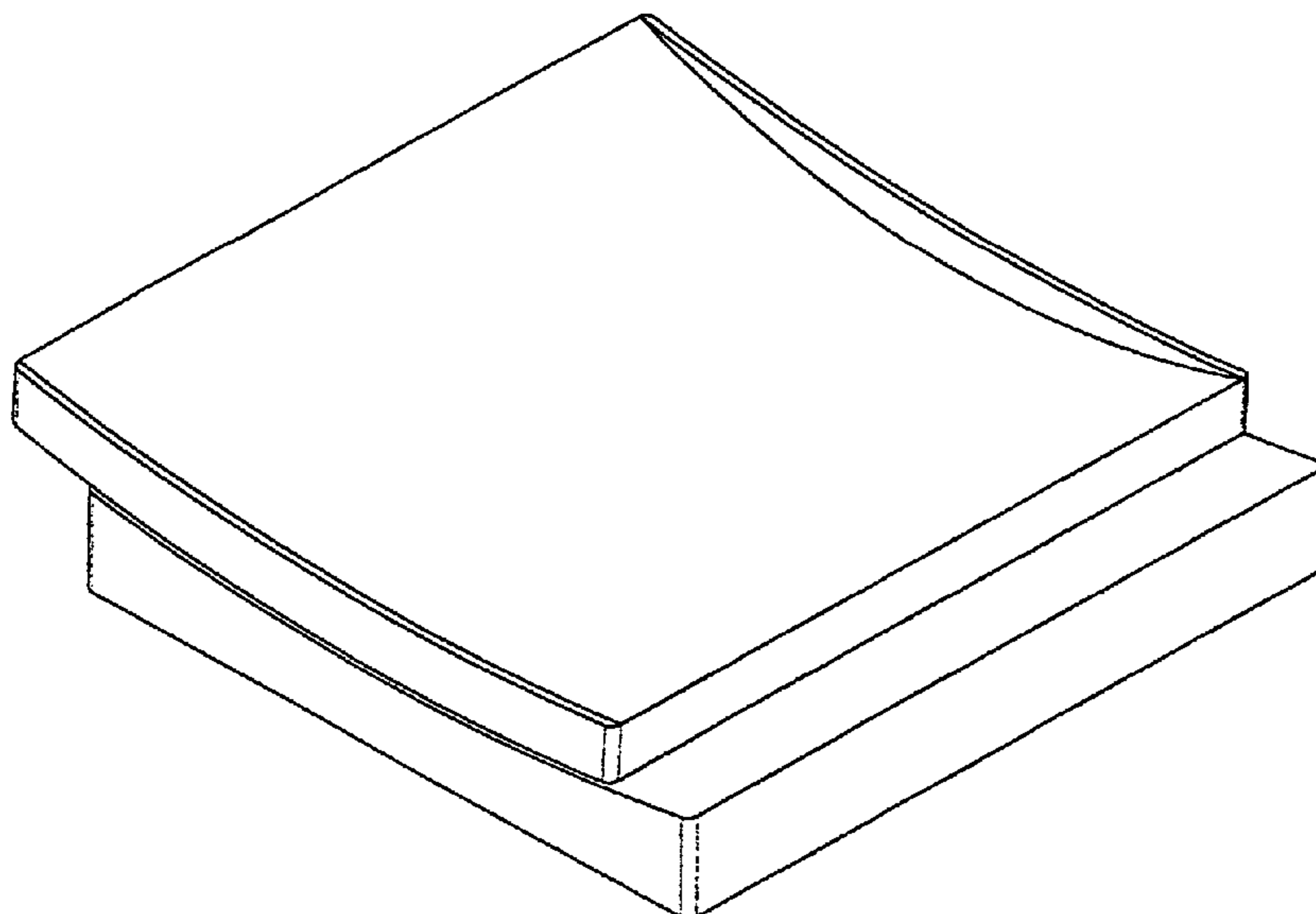
FIG. 6 is a perspective view thereof, with the platform shown
in one extreme rocking position; and,

FIG. 7 is a perspective view thereof, with the platform shown
in the alternate extreme rocking position.

The broken lines shown in FIG. 3 are for illustrative purposes
only and form no part of the claimed design.

The present invention relates to the ornamental design for a
rocking accessory which is used to automatically rock a typi-
cal molded plastic type infant carrier seat. The user would
place an infant carrier seat upon the rocking accessory and the
rocking accessory gently rocks the infant carrier seat back and
forth.

1 Claim, 7 Drawing Sheets



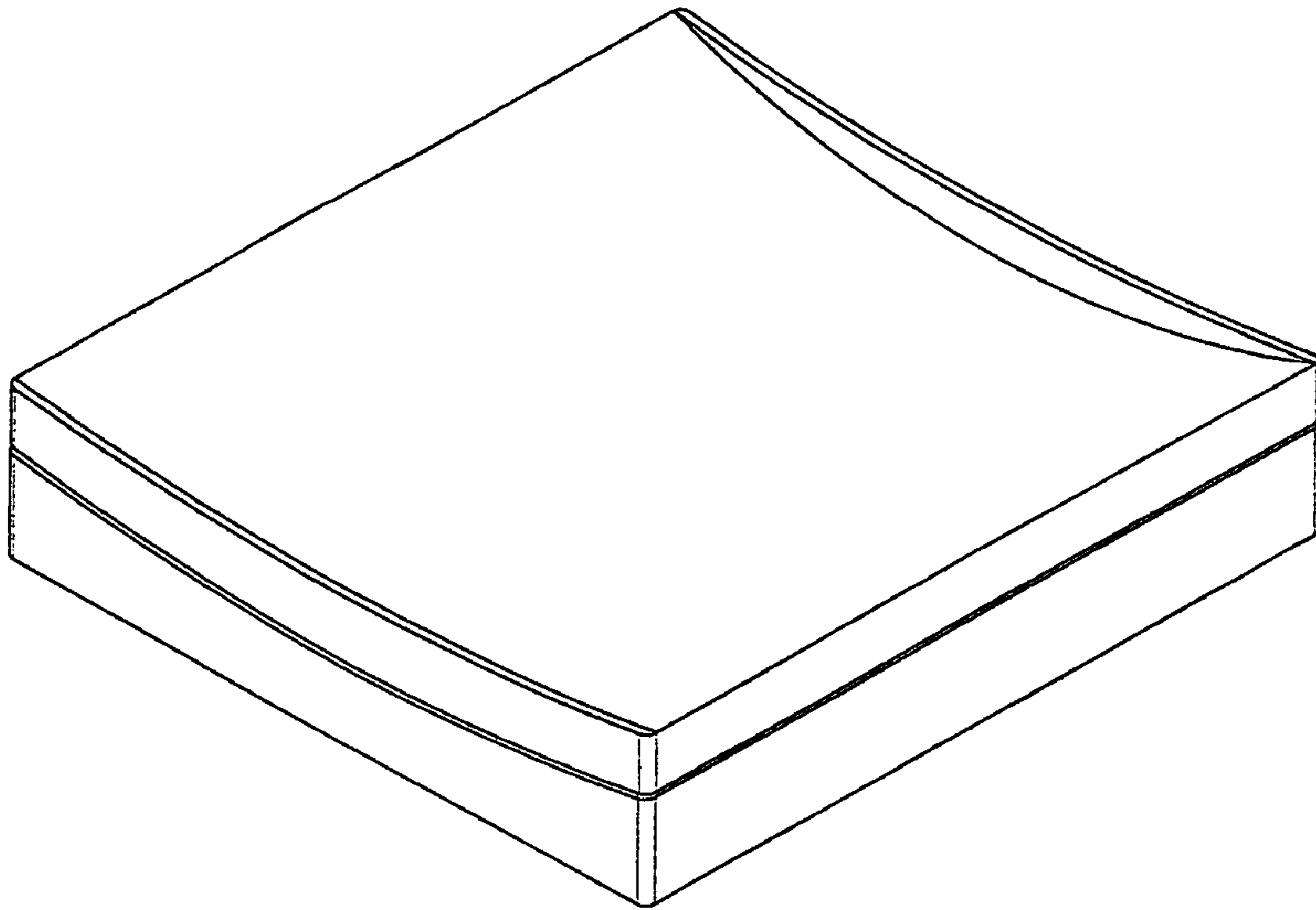


FIG. 1

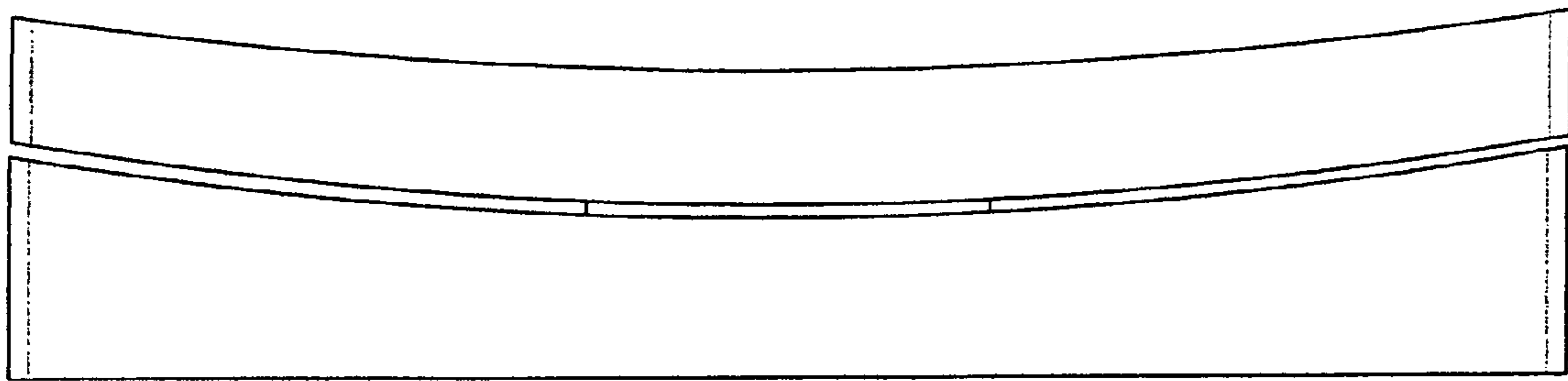


FIG. 2

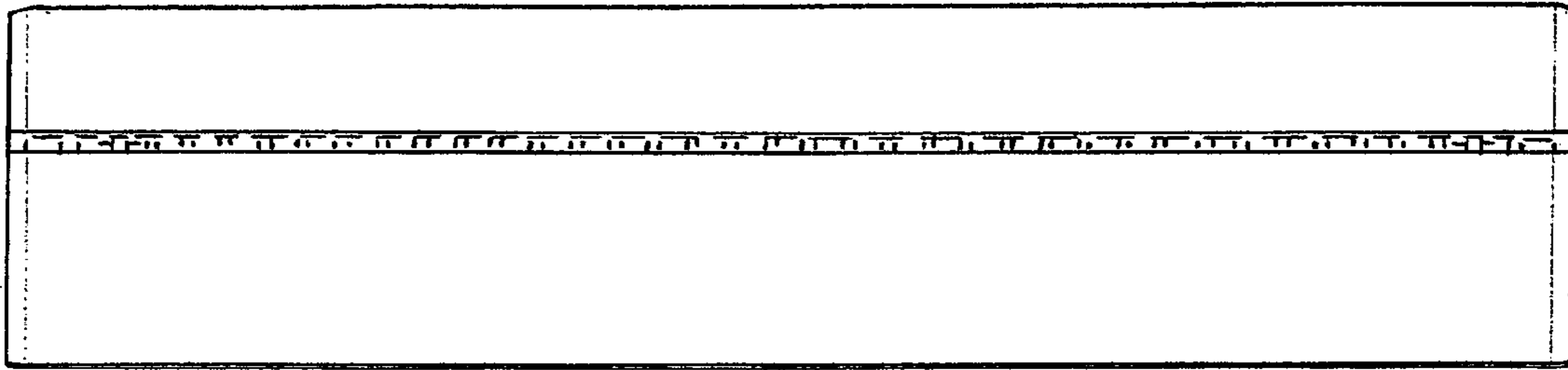


FIG. 3

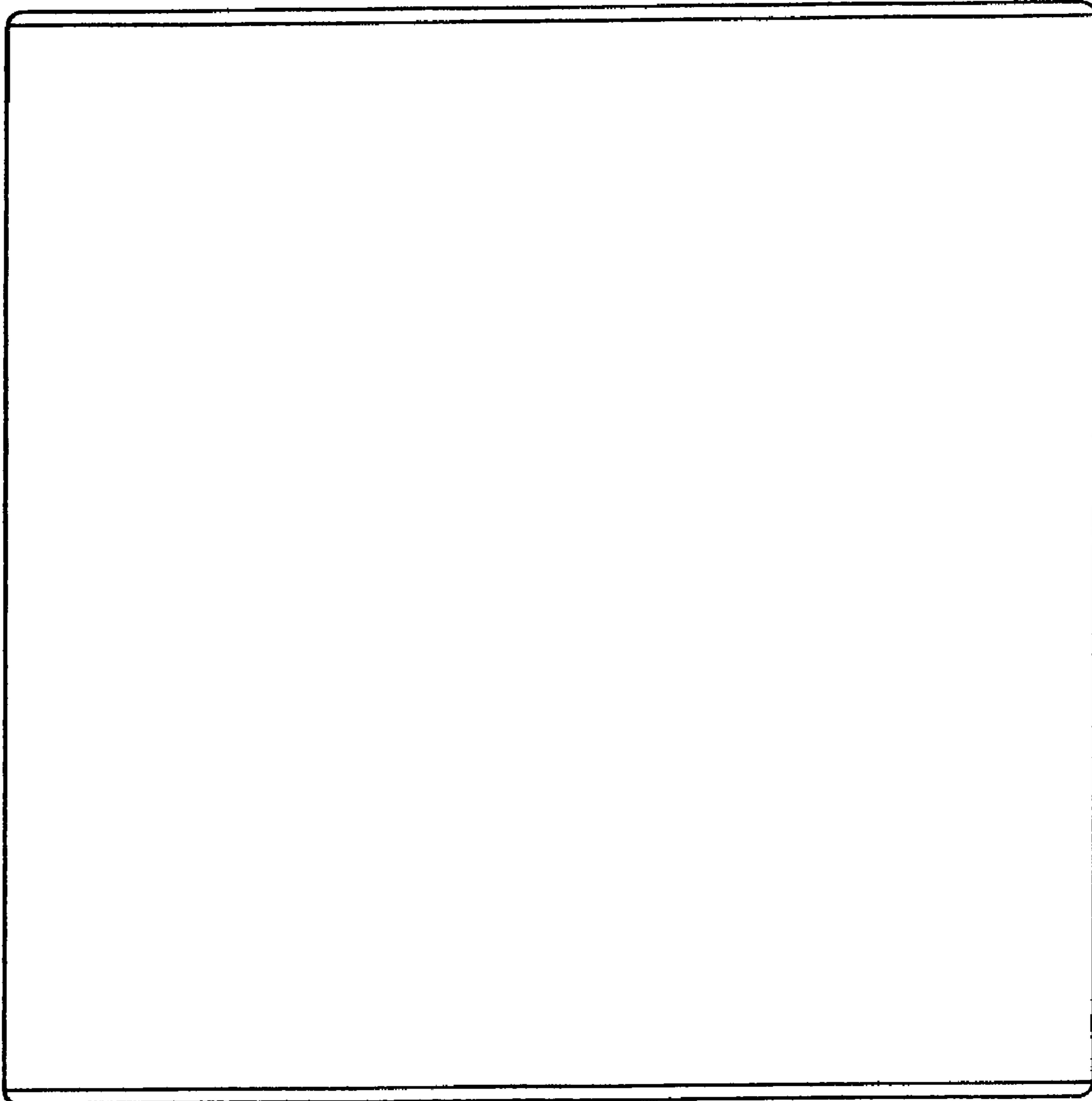


FIG. 4

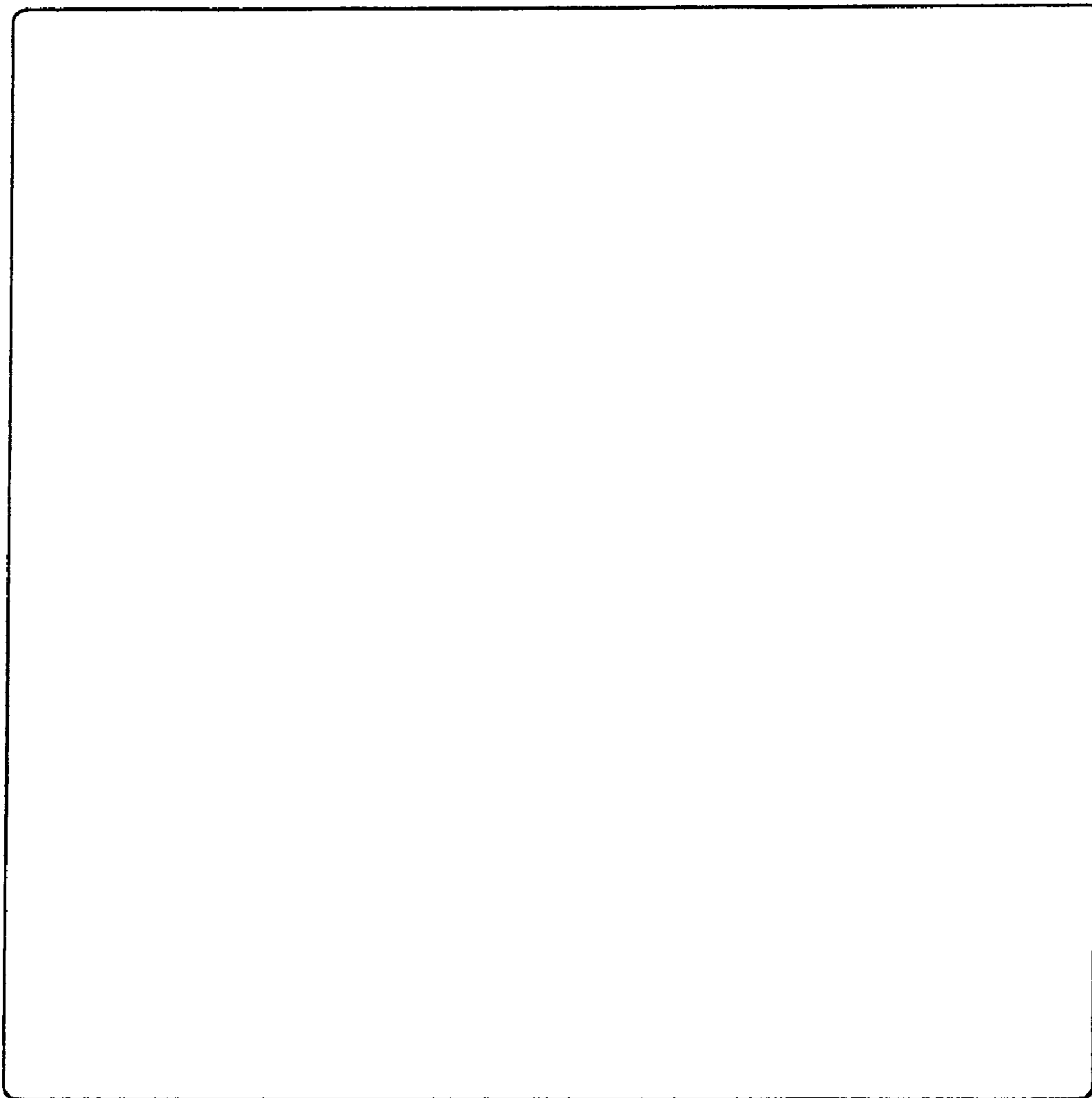


FIG. 5

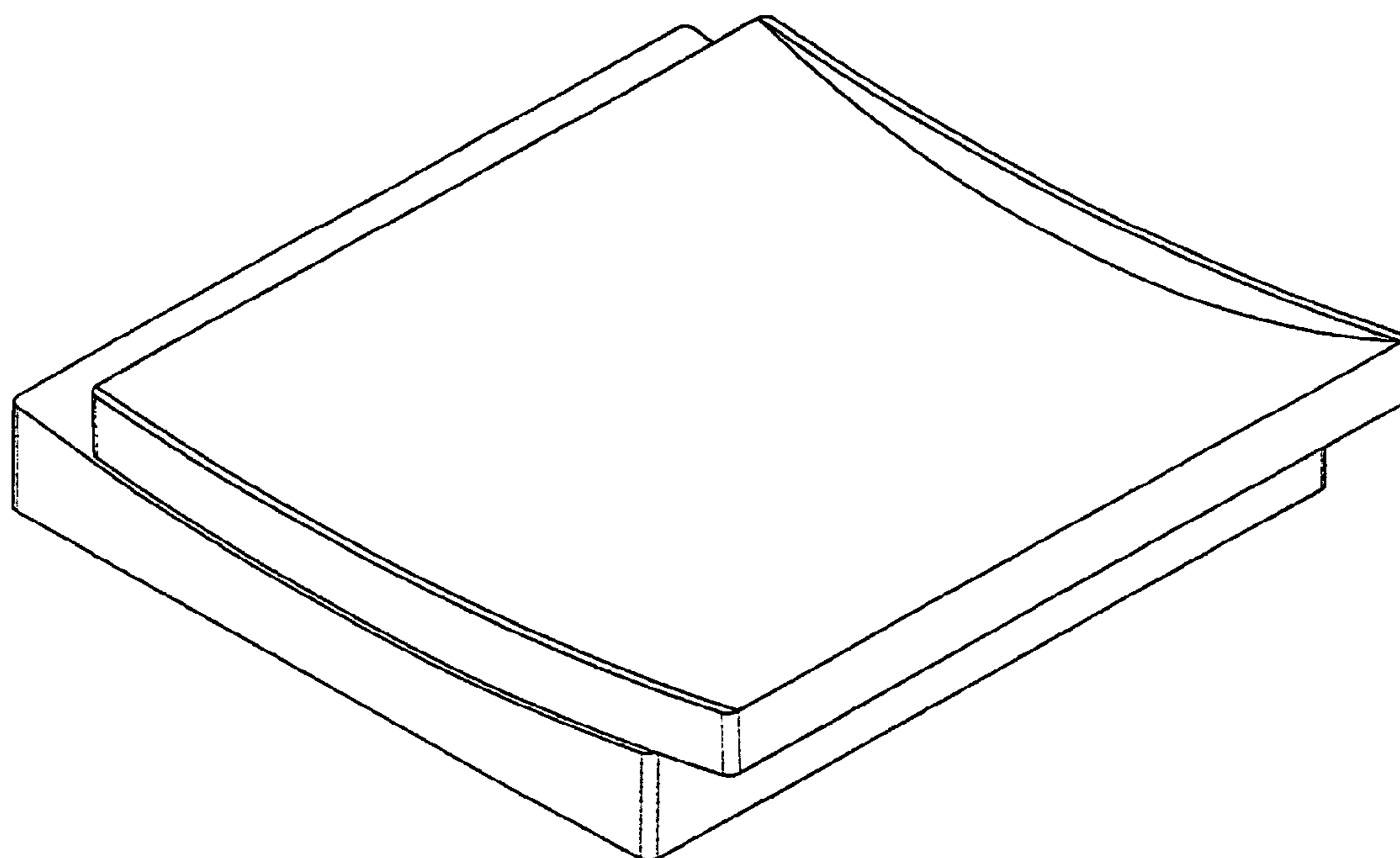


FIG. 6

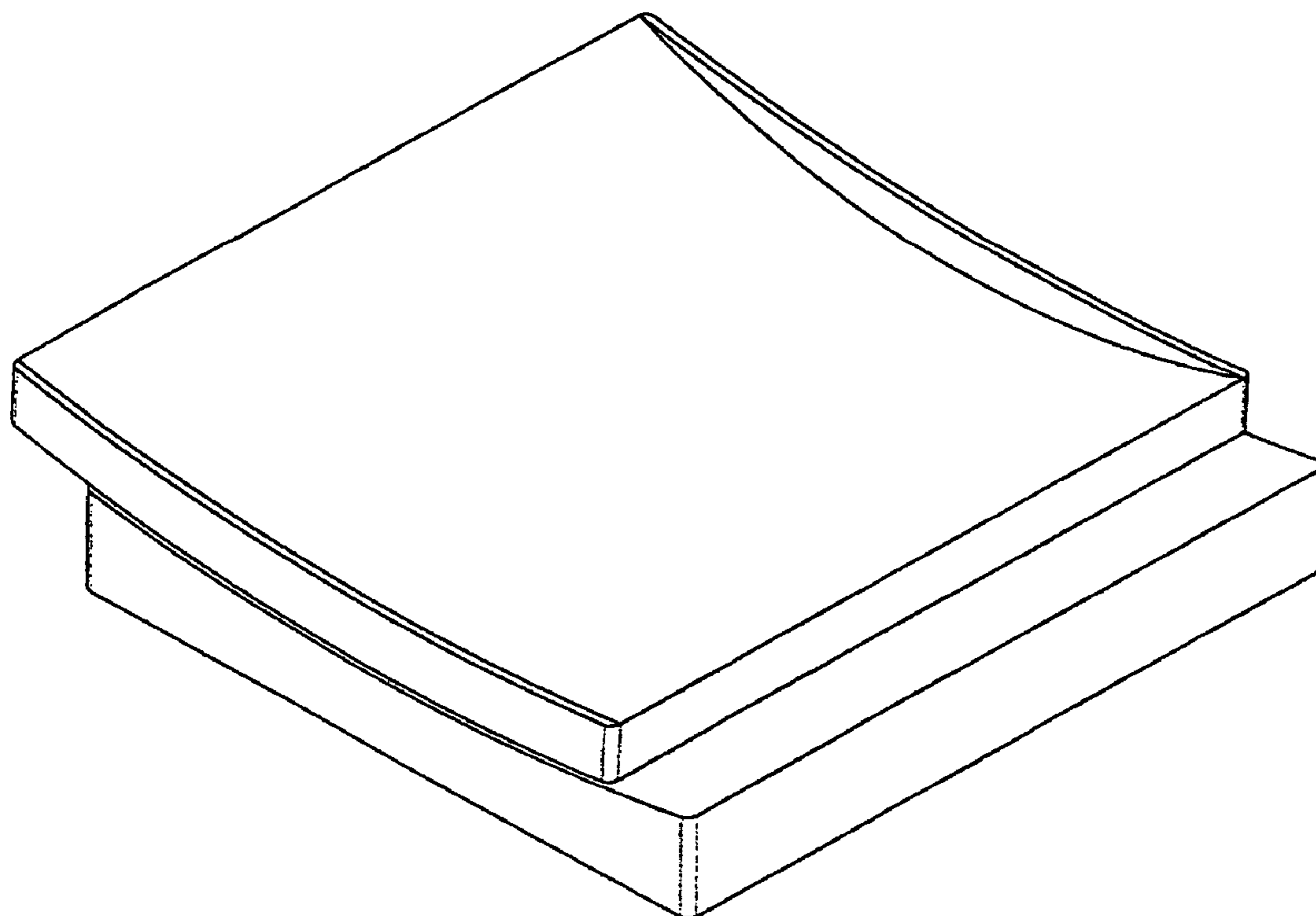


FIG. 7