



US00D622069S

(12) **United States Design Patent**
Chan

(10) **Patent No.:** **US D622,069 S**

(45) **Date of Patent:** **** Aug. 24, 2010**

(54) **PORTION OF A GARMENT HANGER**

D283,854 S * 5/1986 Marshall D6/318

(75) Inventor: **King Keung Kennedy Chan**, Hong Kong (HK)

* cited by examiner

Primary Examiner—Shanda C Hill

(73) Assignee: **Uniplast Industries, Inc.**, Hasbrouck Heights, NJ (US)

(74) *Attorney, Agent, or Firm*—Leason Ellis LLP

(**) Term: **14 Years**

(57) **CLAIM**

(21) Appl. No.: **29/330,273**

The ornamental design for a portion of a garment hanger, as shown and described.

(22) Filed: **Jan. 2, 2009**

DESCRIPTION

(51) **LOC (9) Cl.** **06-08**

FIG. 1 is a front perspective view of a portion of a garment hanger showing my new design;

(52) **U.S. Cl.** **D6/326**

FIG. 2 is an enlarged front perspective view thereof;

(58) **Field of Classification Search** D6/315,
D6/317, 318, 328; 211/1, 13.1, 85.3, 183;
223/85-98

FIG. 3 is an enlarged rear perspective view thereof; and,

See application file for complete search history.

FIG. 4 is a cross-section view taken along the line 4—4 in FIG. 3.

(56) **References Cited**

The broken lines shown in the drawing disclosure are for illustrative purposes only and form no part of the claimed design.

U.S. PATENT DOCUMENTS

The broken line(s) which define the bounds of the claimed design form no part thereof.

- D196,623 S * 10/1963 Warmath D6/318
- D247,150 S * 2/1978 Duester D6/328
- D267,920 S * 2/1983 Batts et al. D6/318
- D273,072 S * 3/1984 Batts et al. D6/318

1 Claim, 2 Drawing Sheets

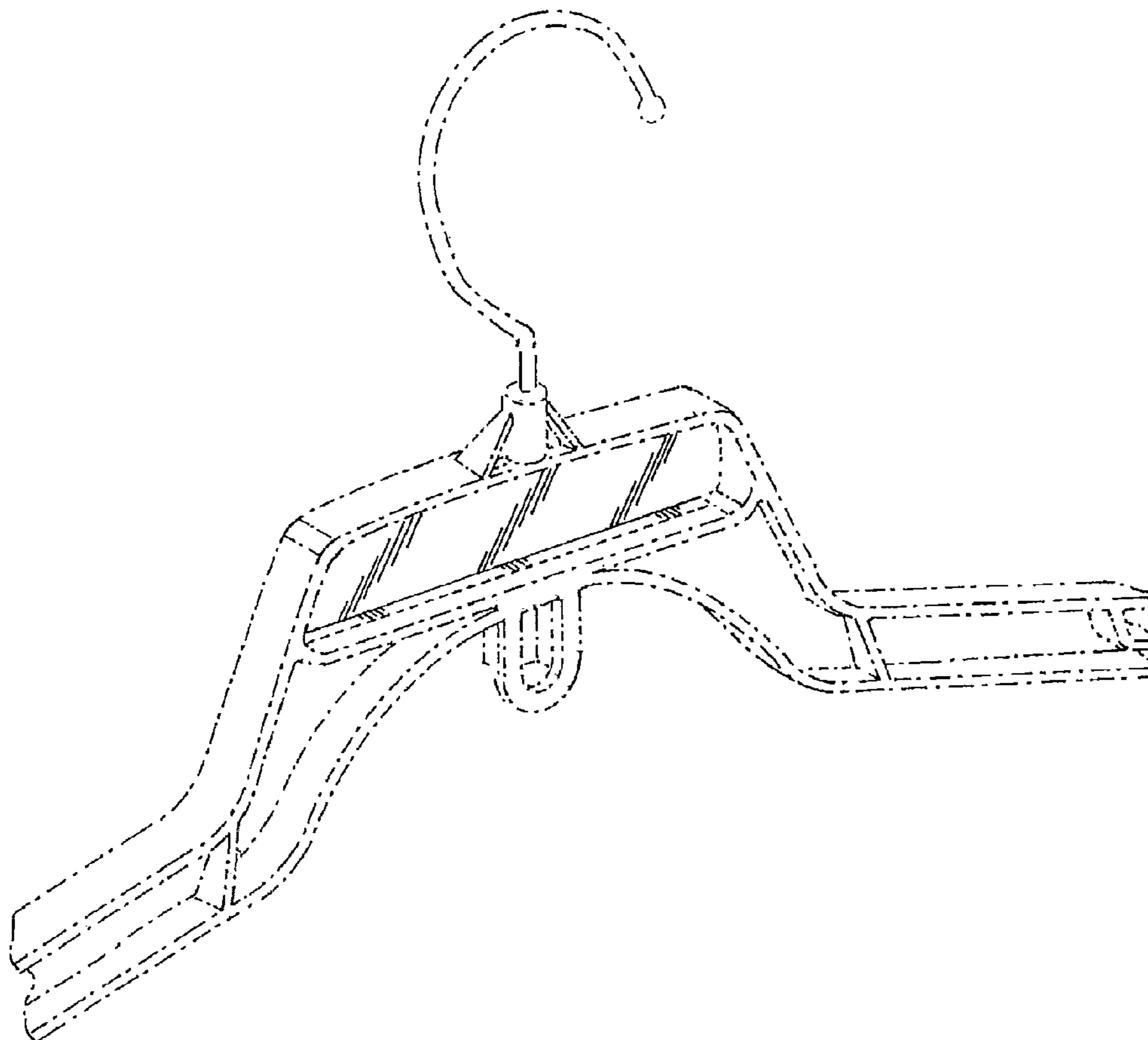


Fig. 1

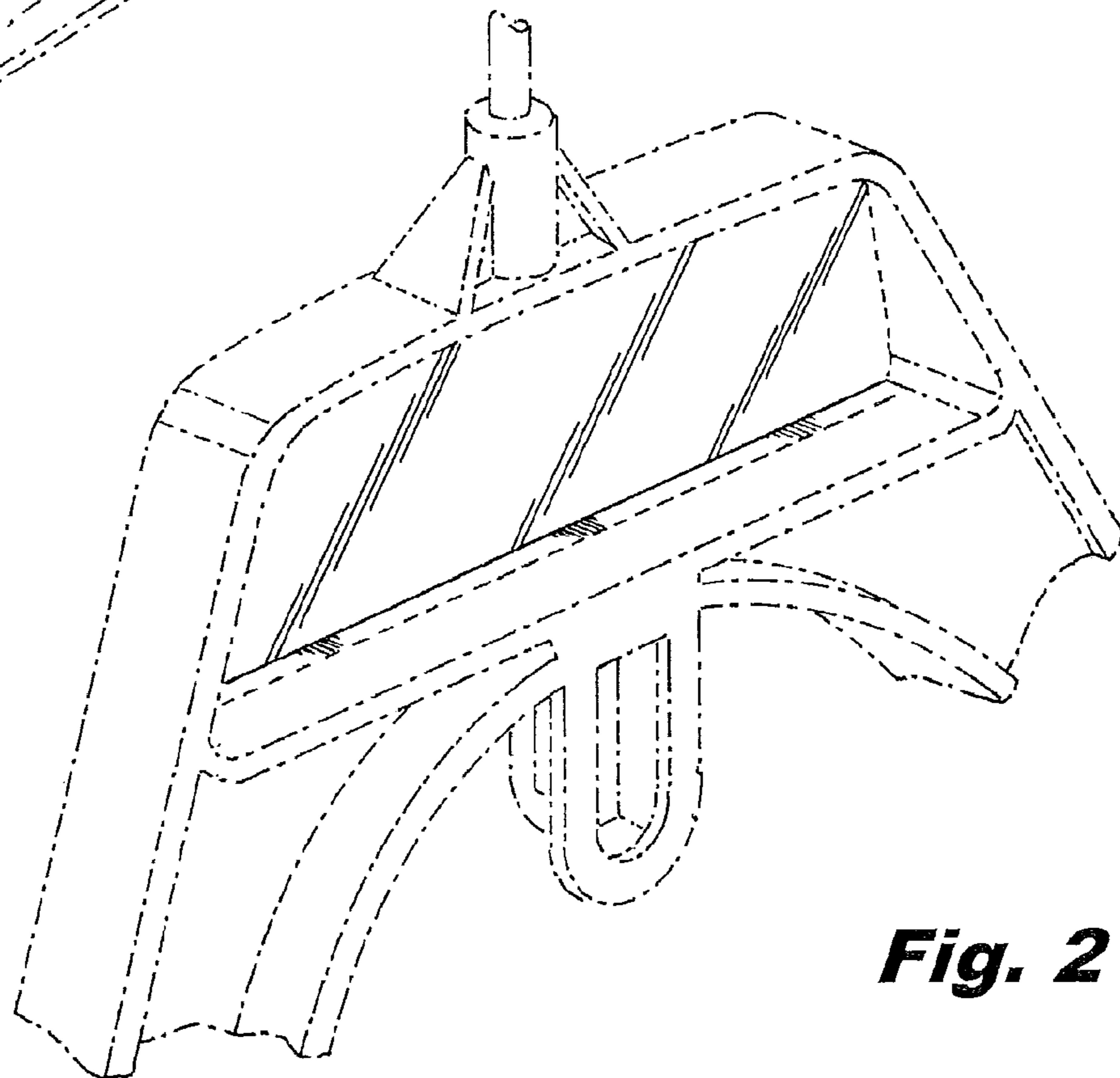
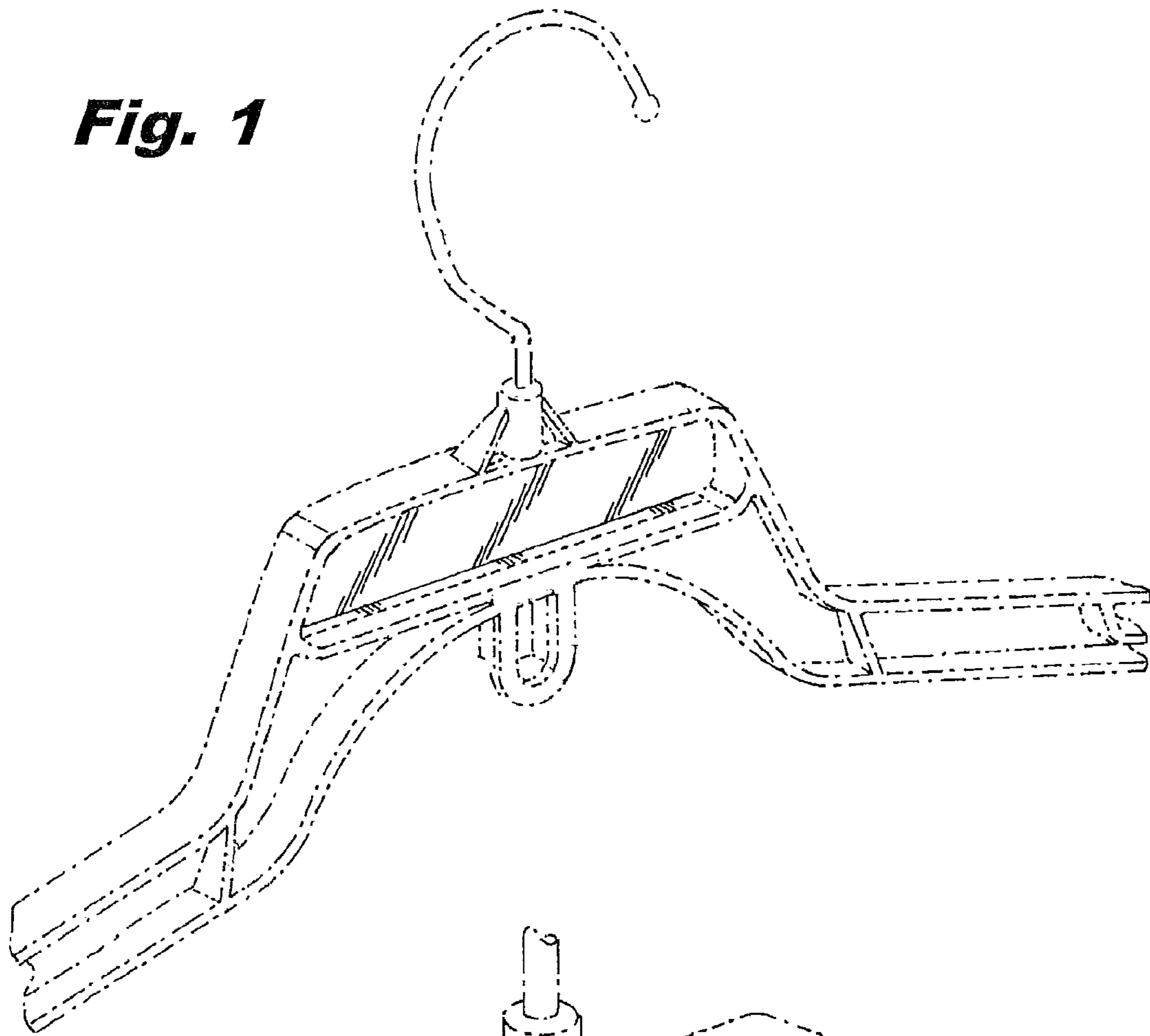


Fig. 2

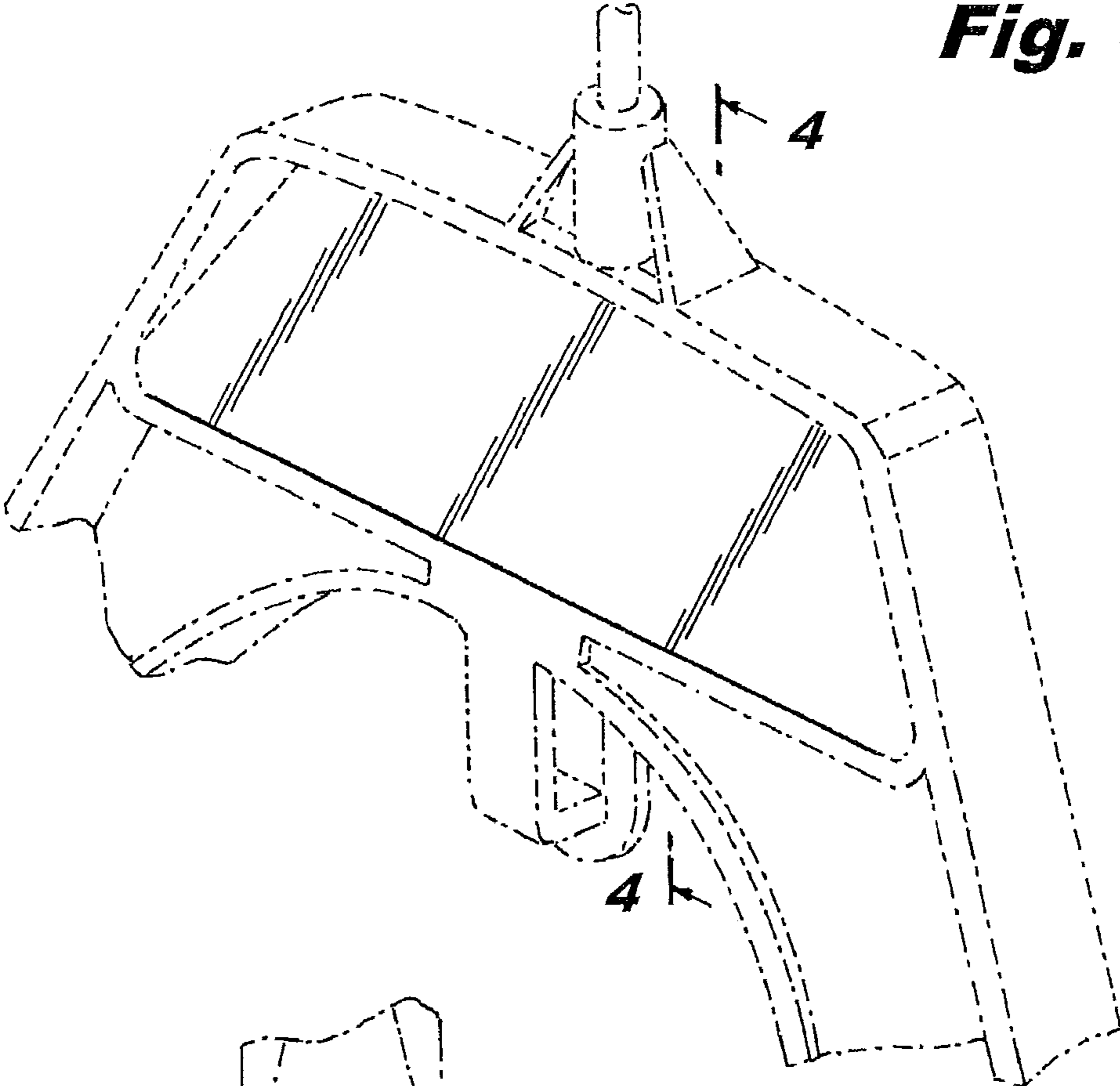


Fig. 3

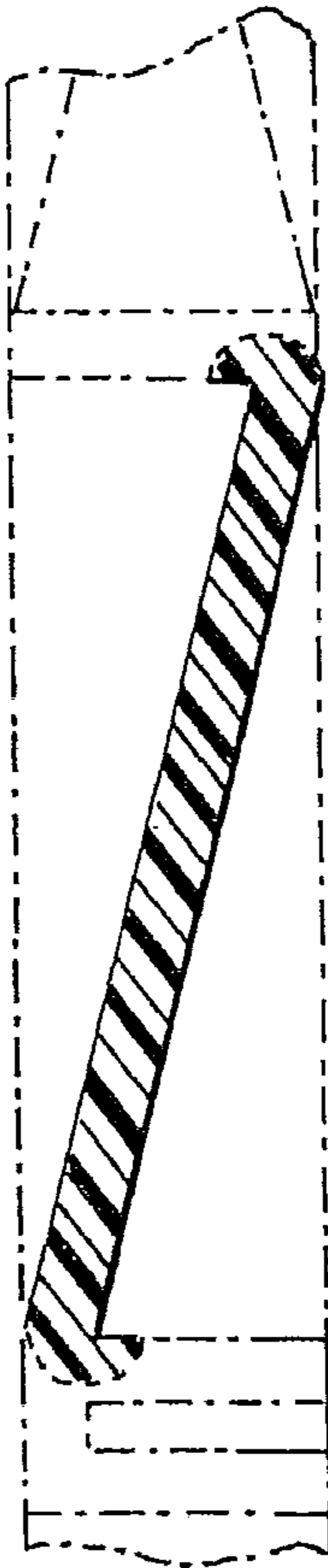


Fig. 4