



US00D622068S

(12) **United States Design Patent**  
**Wisniewski**

(10) **Patent No.:** **US D622,068 S**

(45) **Date of Patent:** **\*\* Aug. 24, 2010**

(54) **ARCULATE PHOTO DISPLAY FRAME**

(75) Inventor: **Alan Wisniewski**, Toronto (CA)

(73) Assignee: **Umbra LLC**, Buffalo, NY (US)

(\*\*) Term: **14 Years**

(21) Appl. No.: **29/352,401**

(22) Filed: **Dec. 21, 2009**

(51) **LOC (9) Cl.** ..... **06-07**

(52) **U.S. Cl.** ..... **D6/300**

(58) **Field of Classification Search** ..... D6/300-314,  
D6/444, 475; 40/603, 658, 606.12, 611.11,  
40/611.12, 650, 600, 584, 606, 607, 608,  
40/624; D20/10, 41, 42, 39; 396/656; 248/467,  
248/469

See application file for complete search history.

(56) **References Cited**

**U.S. PATENT DOCUMENTS**

D39,145	S	*	2/1908	Stanton et al.	.....	D6/300
1,580,496	A	*	4/1926	Kelly	.....	396/656
3,846,925	A	*	11/1974	Busse	.....	40/650
D408,458	S	*	4/1999	Hempel	.....	D20/10
D435,270	S	*	12/2000	Healy	.....	D20/10
D448,579	S	*	10/2001	Prade	.....	D6/314
6,298,591	B1	*	10/2001	Healy	.....	40/600
6,308,446	B1	*	10/2001	Healy	.....	40/600

D461,962	S	*	8/2002	Ingolfsson	.....	D6/314
D532,219	S	*	11/2006	Sandler et al.	.....	D6/475
D551,718	S	*	9/2007	Diller	.....	D20/42
7,441,357	B2	*	10/2008	Steer	.....	40/603

\* cited by examiner

*Primary Examiner*—Susan Moon Lee

*Assistant Examiner*—Sydney R Buffalow

(74) *Attorney, Agent, or Firm*—Simpson & Simpson, PLLC

(57) **CLAIM**

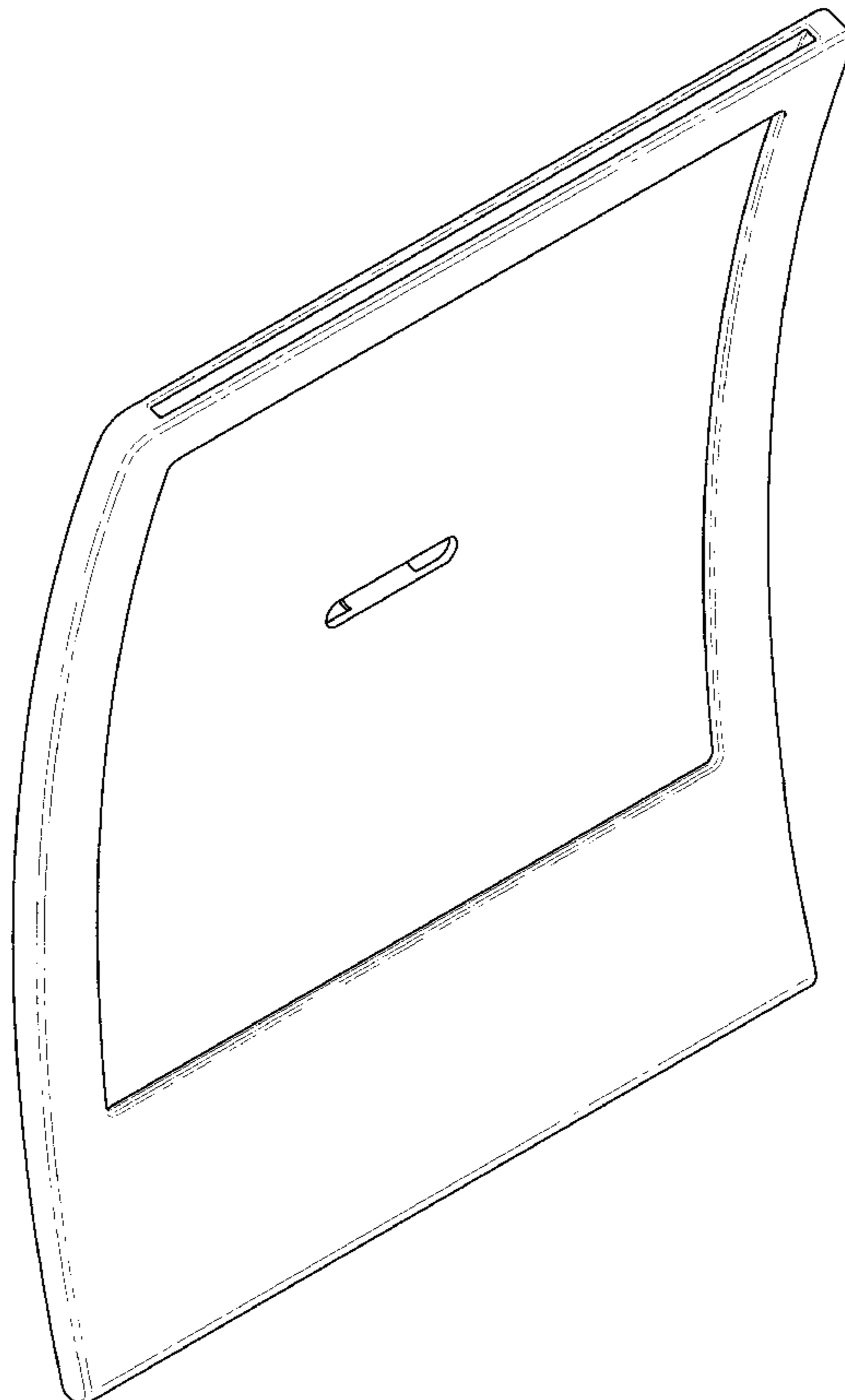
The ornamental design for an arcuate photo display frame, as shown and described.

**DESCRIPTION**

FIG. 1 is a perspective view of the present invention;  
FIG. 2 is a front elevational view of the invention;  
FIG. 3 is a rear elevational view of the invention;  
FIG. 4 is a right side elevational view of the invention;  
FIG. 5 is a left side elevational view of the invention;  
FIG. 6 is a top plan view of the invention; and,  
FIG. 7 is a bottom plan view of the invention.

The broken line illustrations of a push pin shown in FIGS. 4-7 are for illustrative purposes only and form no part of the claimed invention.

**1 Claim, 5 Drawing Sheets**



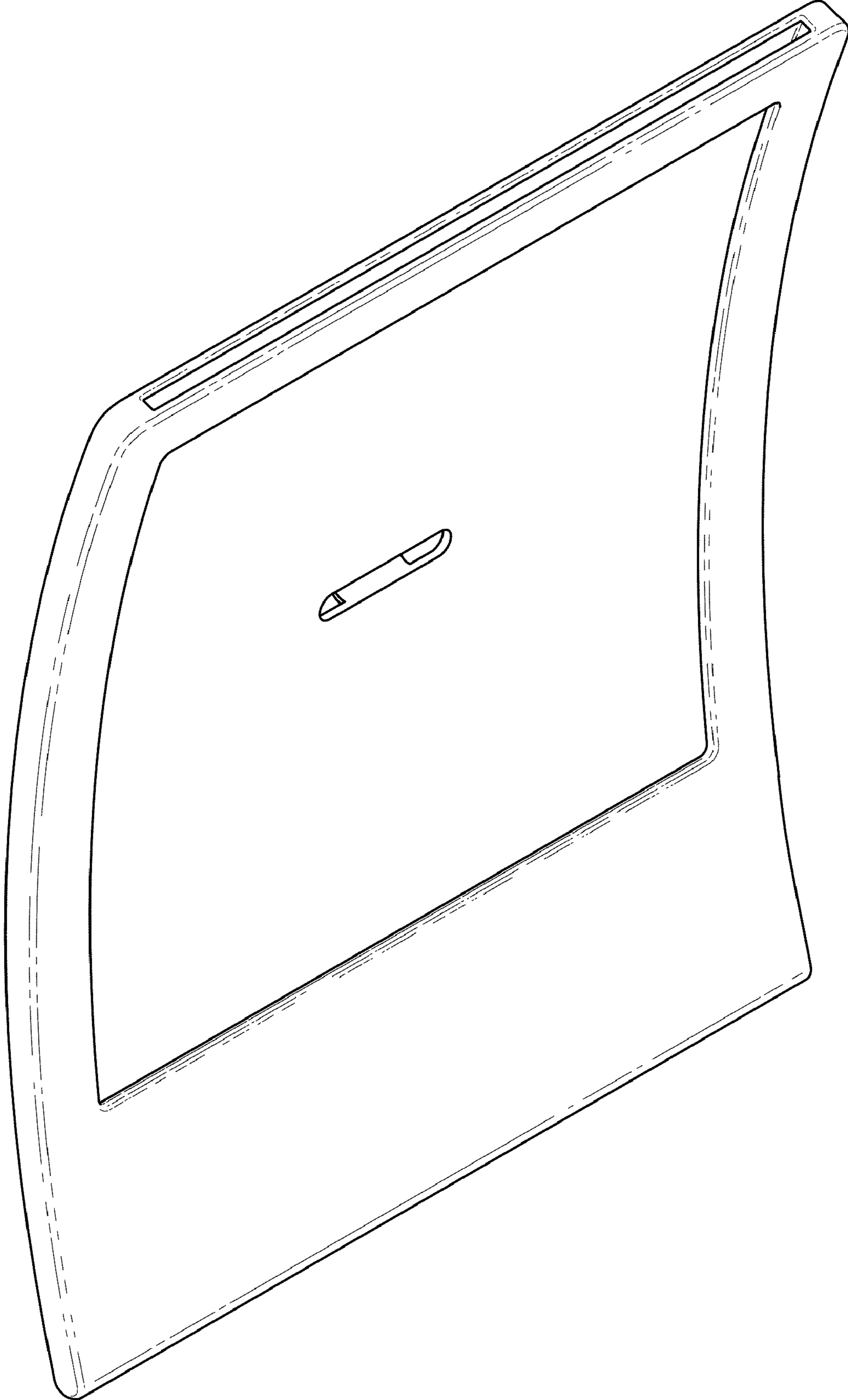


Fig. 1

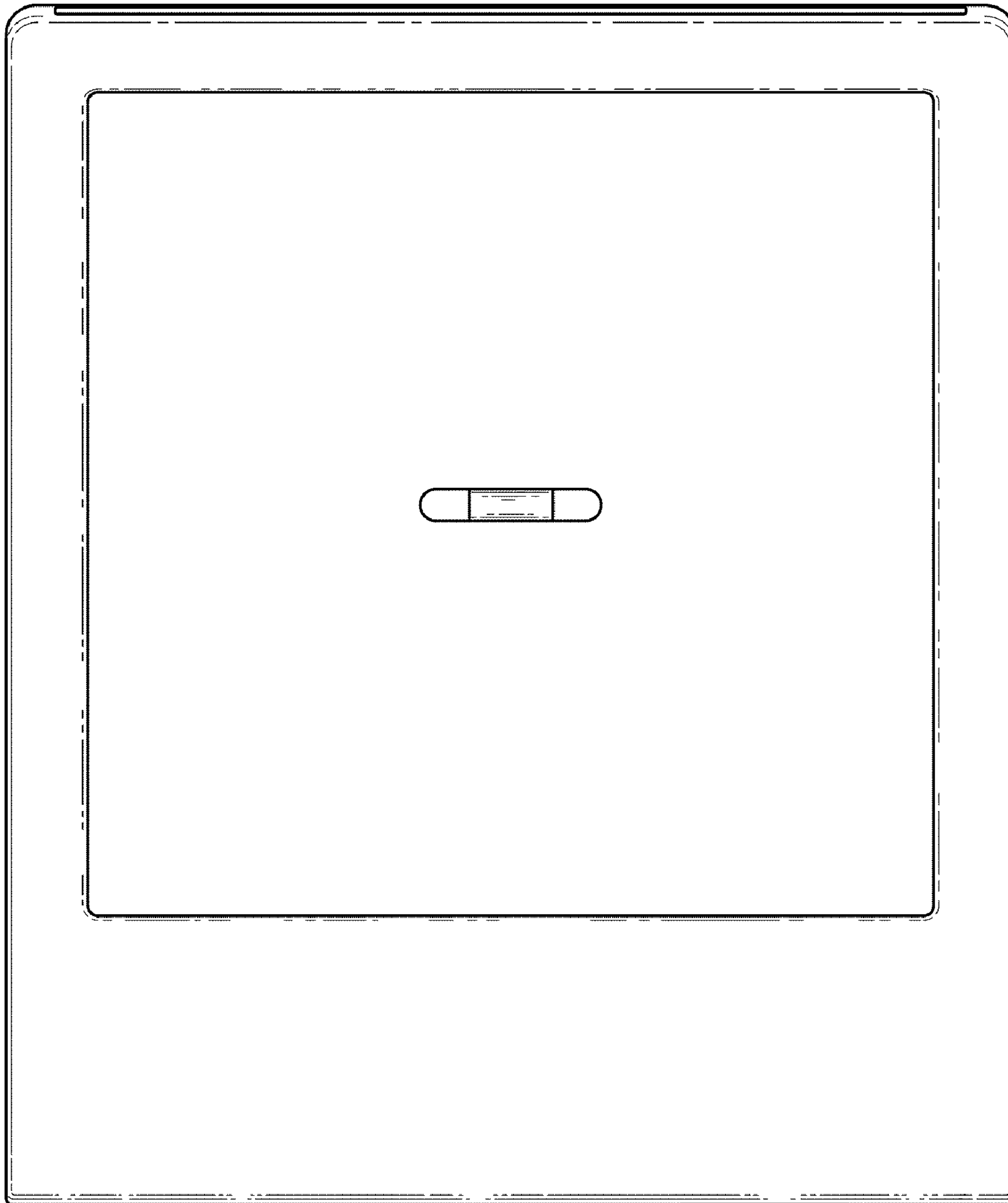


Fig. 2

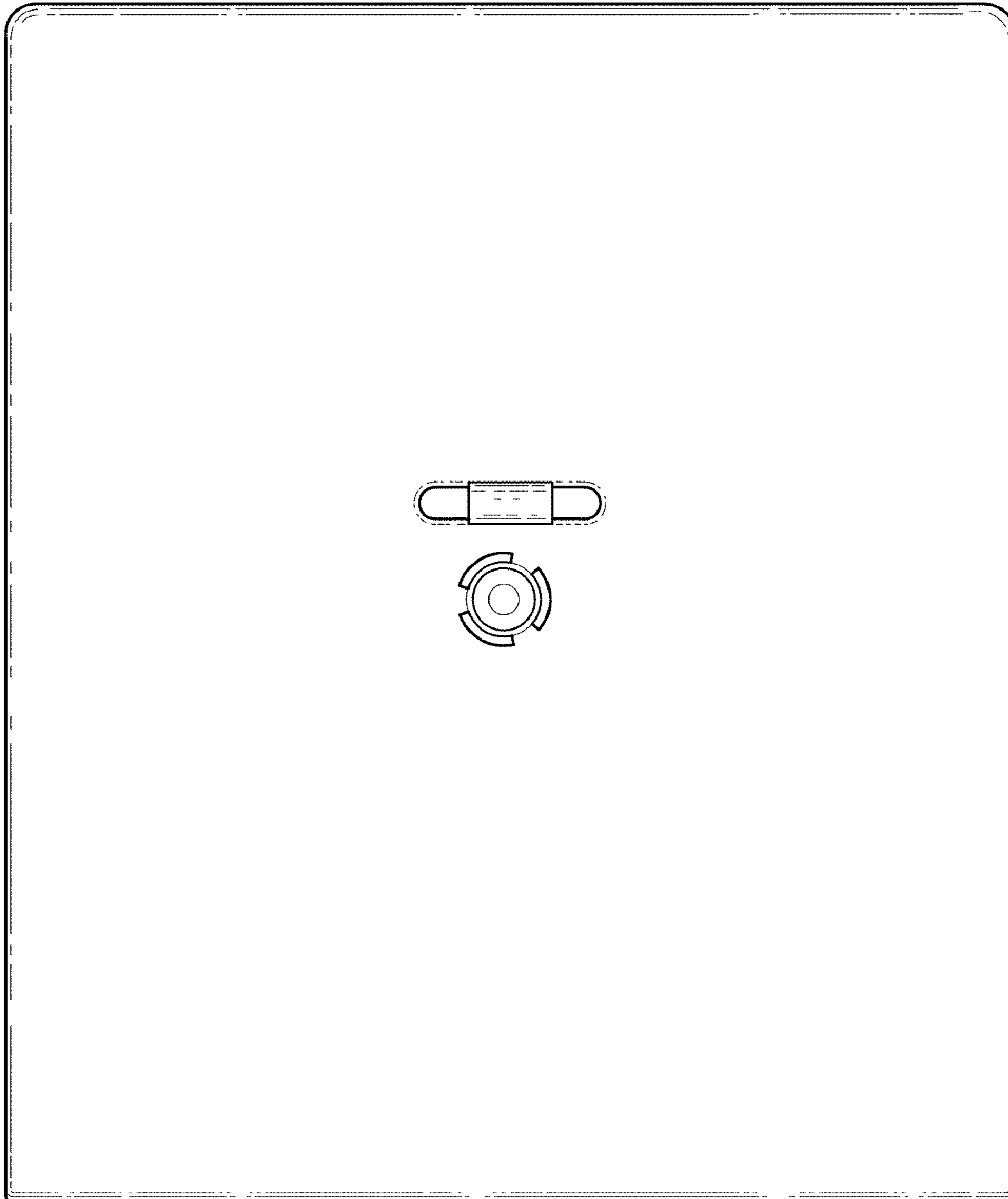


Fig. 3

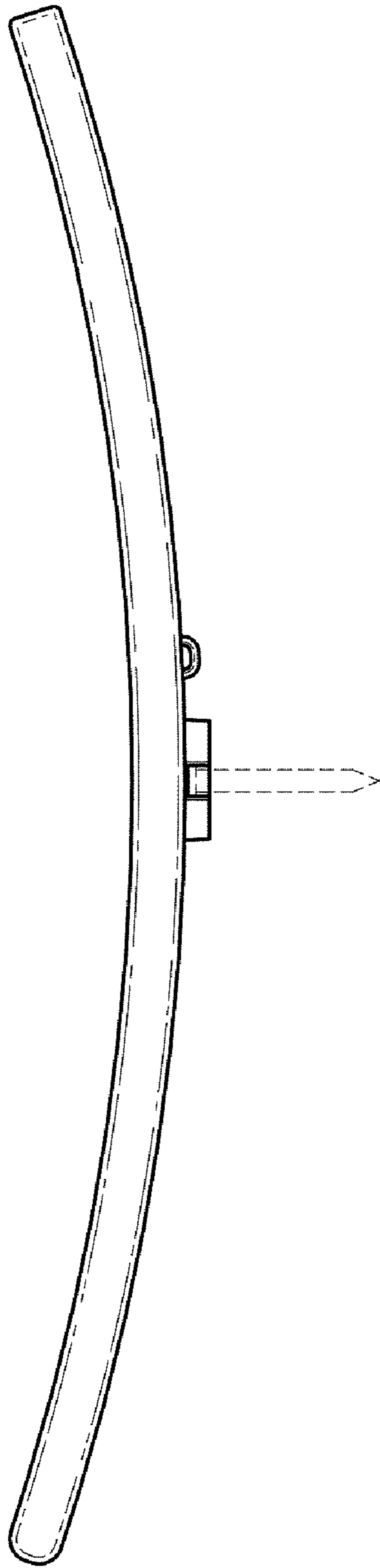


Fig. 4

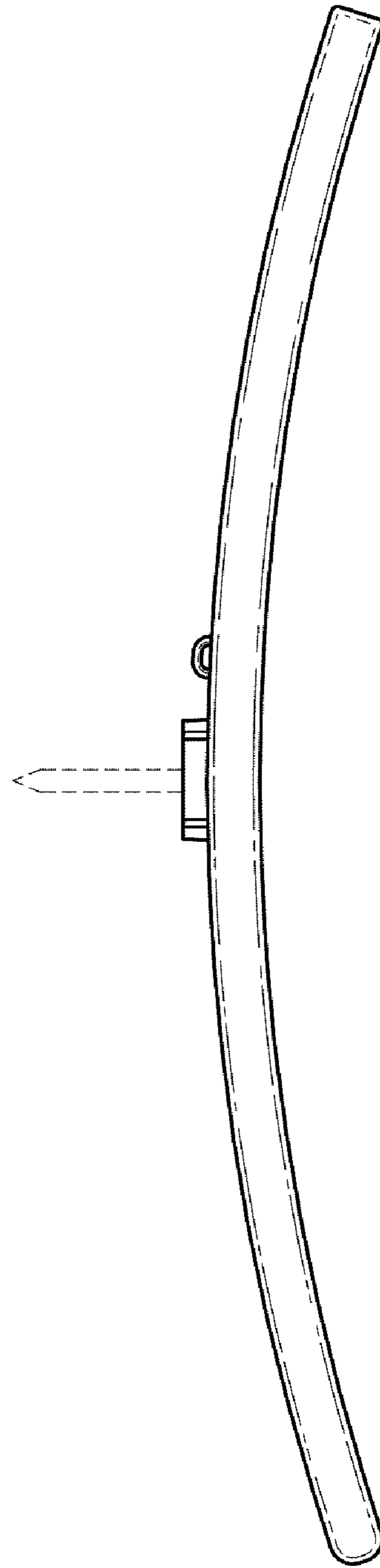


Fig. 5

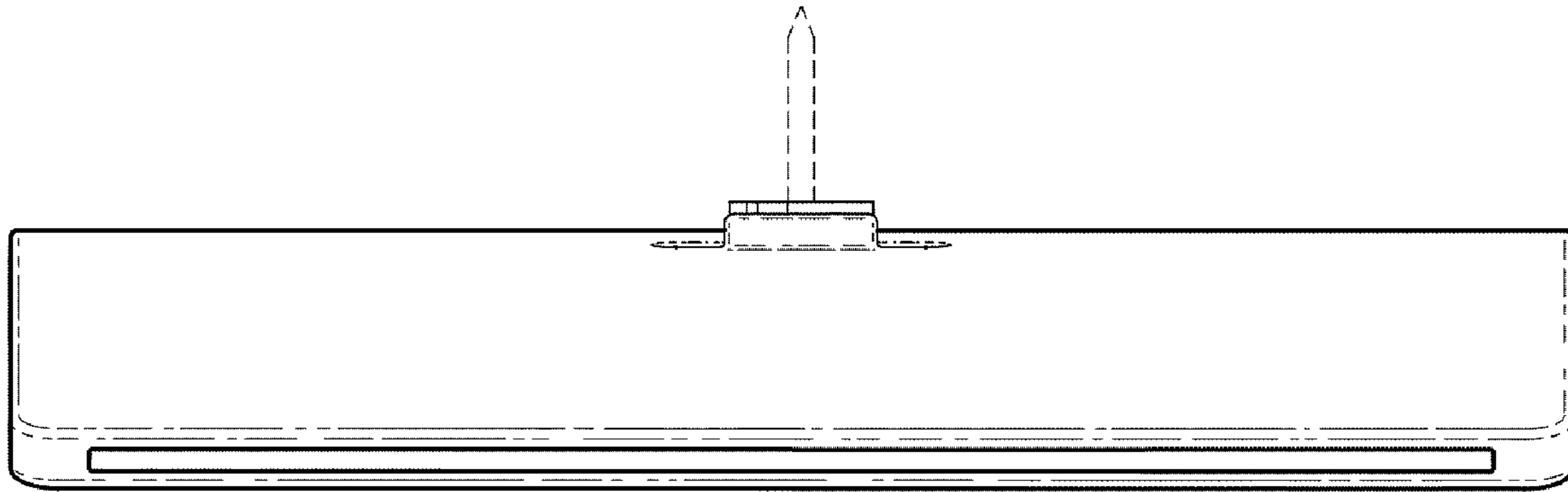


Fig. 6

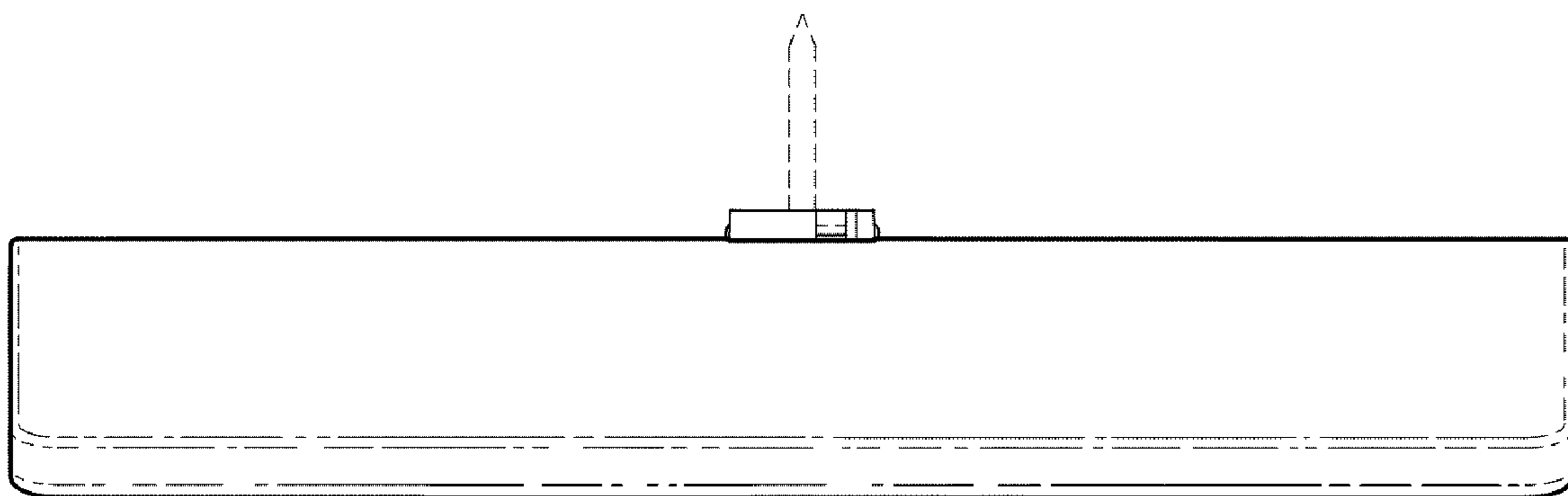


Fig. 7