

US00D622063S

(12) **United States Design Patent**  
**Isaac**

(10) **Patent No.:** **US D622,063 S**

(45) **Date of Patent:** **\*\* \*Aug. 24, 2010**

(54) **HANDLE FOR PAINT ROLLER**

2007/0017050 A1\* 1/2007 Lye ..... 15/230.11

(76) Inventor: **Gregory J. Isaac**, P.O. Box 18888,  
Irvine, CA (US) 92623-8888

\* cited by examiner

(\*) Notice: This patent is subject to a terminal disclaimer.

*Primary Examiner*—Melanie H Tung  
*Assistant Examiner*—Lavone D Tabor  
(74) *Attorney, Agent, or Firm*—Palomar Patent; Calif Tervo

(\*\*) Term: **14 Years**

(57) **CLAIM**

(21) Appl. No.: **29/316,697**

The ornamental design for a handle for paint roller, as shown and described.

(22) Filed: **Oct. 22, 2009**

**DESCRIPTION**

(51) **LOC (9) Cl.** ..... **08-05**

(52) **U.S. Cl.** ..... **D4/122**

(58) **Field of Classification Search** ..... D4/122,  
D4/138, 199; 15/27, 143.1, 230.11; 492/16–19  
See application file for complete search history.

FIG. 1 is a front, bottom, right side perspective view of the handle for paint roller of the present invention;

FIG. 2 is a front elevation view thereof;

FIG. 3 is a right side elevation view thereof; the opposite side being a mirror image.

FIG. 4 is a top plan view thereof; and,

FIG. 5 is a bottom plan view thereof.

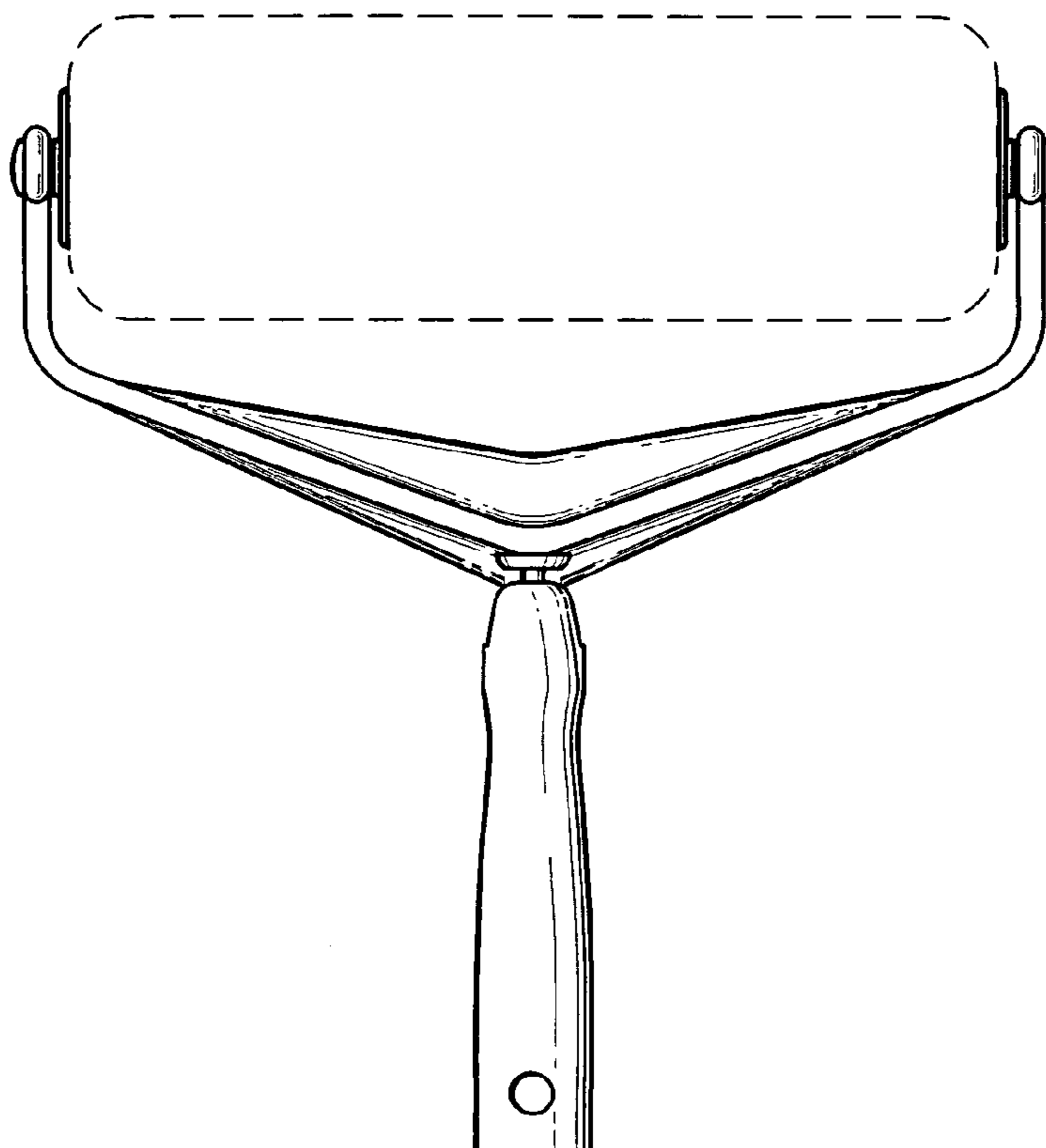
FIGS. 2–5 are shown on a reduced scale. The broken line showing of a paint roller illustrates environmental structure that forms no part of the claimed design.

(56) **References Cited**

**U.S. PATENT DOCUMENTS**

3,588,264	A *	6/1971	Mallindine	.....	401/127
5,186,674	A *	2/1993	Beckhusen et al.	.....	446/144
6,141,821	A *	11/2000	Chin	.....	15/230.11
D458,032	S *	6/2002	Er	.....	D4/122
D459,587	S *	7/2002	Newman et al.	.....	D4/122
2005/0278885	A1 *	12/2005	Sauer	.....	15/230.11

**1 Claim, 2 Drawing Sheets**



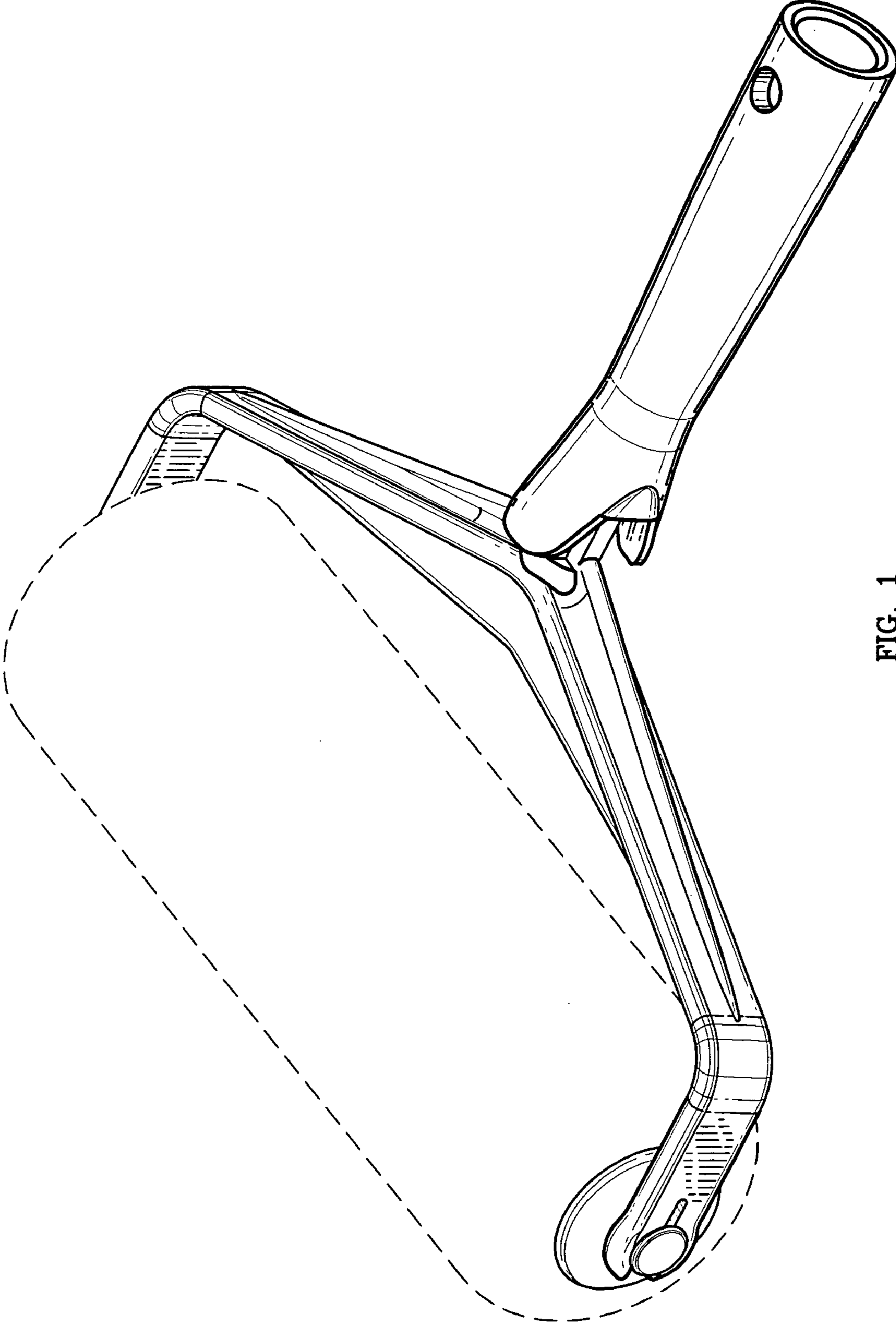


FIG. 1



FIG. 4

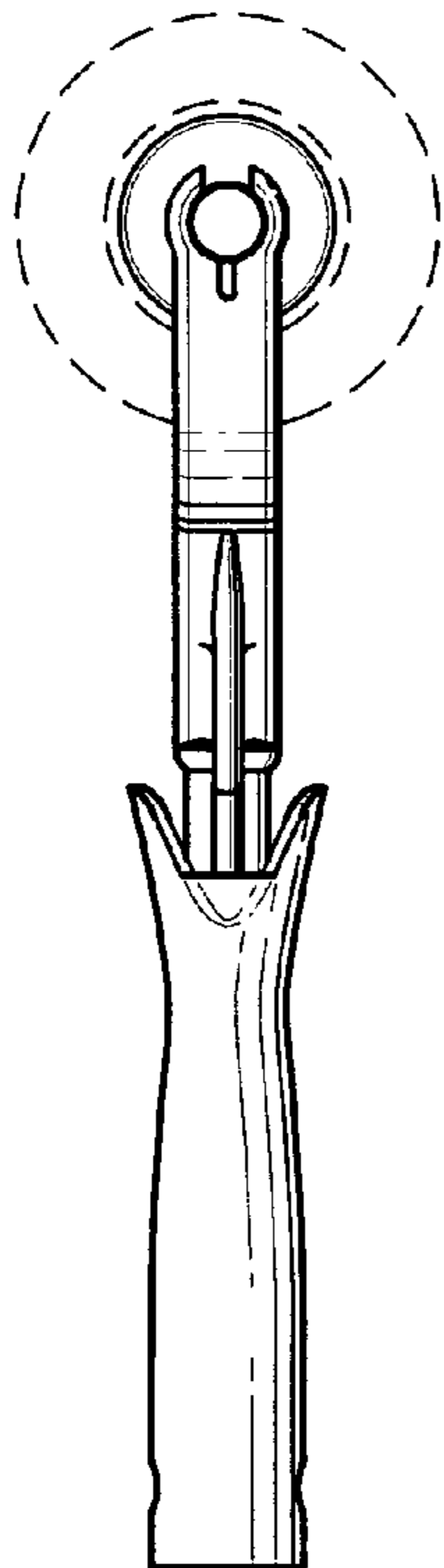


FIG. 3

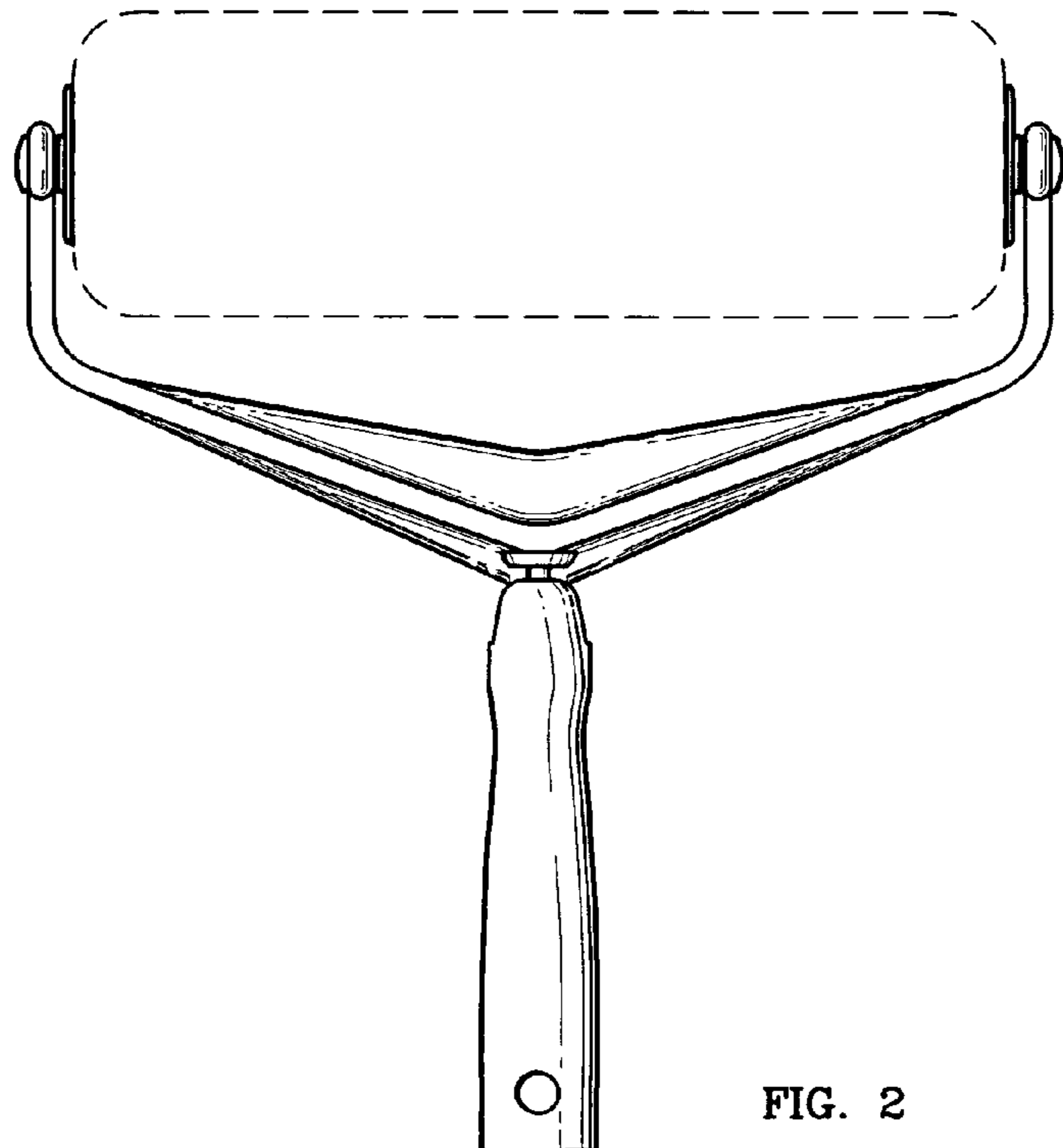


FIG. 2

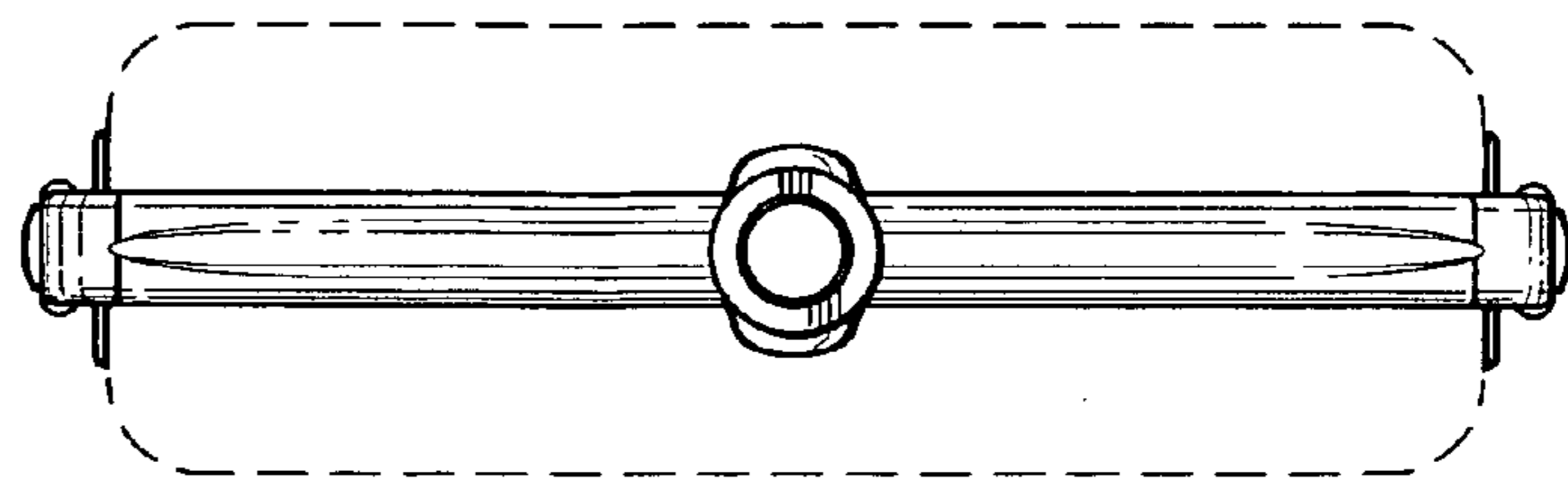


FIG. 5