



US00D622062S

(12) **United States Design Patent**  
**Grubstein et al.**

(10) **Patent No.:** **US D622,062 S**

(45) **Date of Patent:** **\*\* Aug. 24, 2010**

(54) **TOTE**

(75) Inventors: **Katherine Y. Grubstein**, San Diego, CA (US); **Vicki Huichi Chuang**, San Diego, CA (US)

(73) Assignee: **Hewlett-Packard Development Company, L.P.**, Houston, TX (US)

(\*\*) Term: **14 Years**

(21) Appl. No.: **29/351,276**

(22) Filed: **Dec. 2, 2009**

(51) **LOC (9) Cl.** ..... **03-01**

(52) **U.S. Cl.** ..... **D3/318**

(58) **Field of Classification Search** ..... D3/232,  
D3/233, 240-246, 318, 324; 150/100, 103-110,  
150/113-114, 118-119; 383/15  
See application file for complete search history.

(56) **References Cited**

**U.S. PATENT DOCUMENTS**

D423,348 S \* 4/2000 Le Roux ..... D9/434  
D497,255 S \* 10/2004 Scola ..... D3/328  
D498,592 S \* 11/2004 Kelley ..... D3/328

\* cited by examiner

*Primary Examiner*—Holly H Baynham

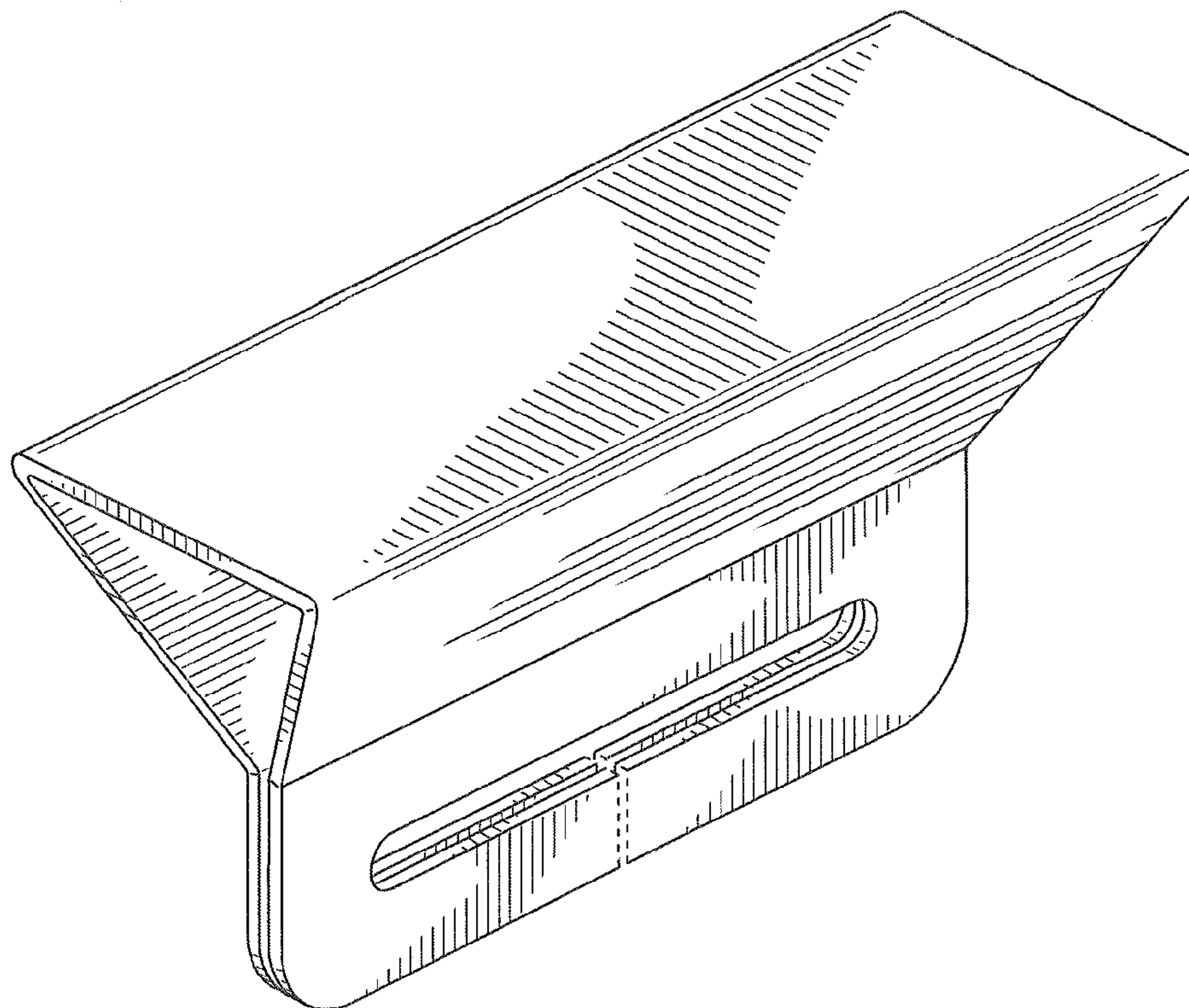
(57) **CLAIM**

We claim the ornamental design for a tote, as shown and described.

**DESCRIPTION**

FIG. 1 is a front perspective view of a tote;  
FIG. 2 is a front view of the tote, the rear view of the tote being a mirror image of the front view;  
FIG. 3 is a left side view of the tote, the right side view of the tote being a mirror image of the left side view;  
FIG. 4 is a top plan view of the tote;  
FIG. 5 is a bottom plan view of the tote;  
FIG. 6 is a reduced scale top, environmental, perspective view of the tote;  
FIG. 7 is a front, alternate environmental perspective view of the tote;  
FIG. 8 is an enlarged front perspective view;  
FIG. 9 is a second front view of the tote, the corresponding rear view being a mirror image of the second front view;  
FIG. 10 is a second left side view of the tote, the corresponding right side view being a mirror image of the second left side view;  
FIG. 11 is a second top plan view of the tote; and,  
FIG. 12 is a second bottom plan view of the tote.  
The dash-dash broken lines in the drawings are environmental lines which do not form part of the claimed design.

**1 Claim, 9 Drawing Sheets**



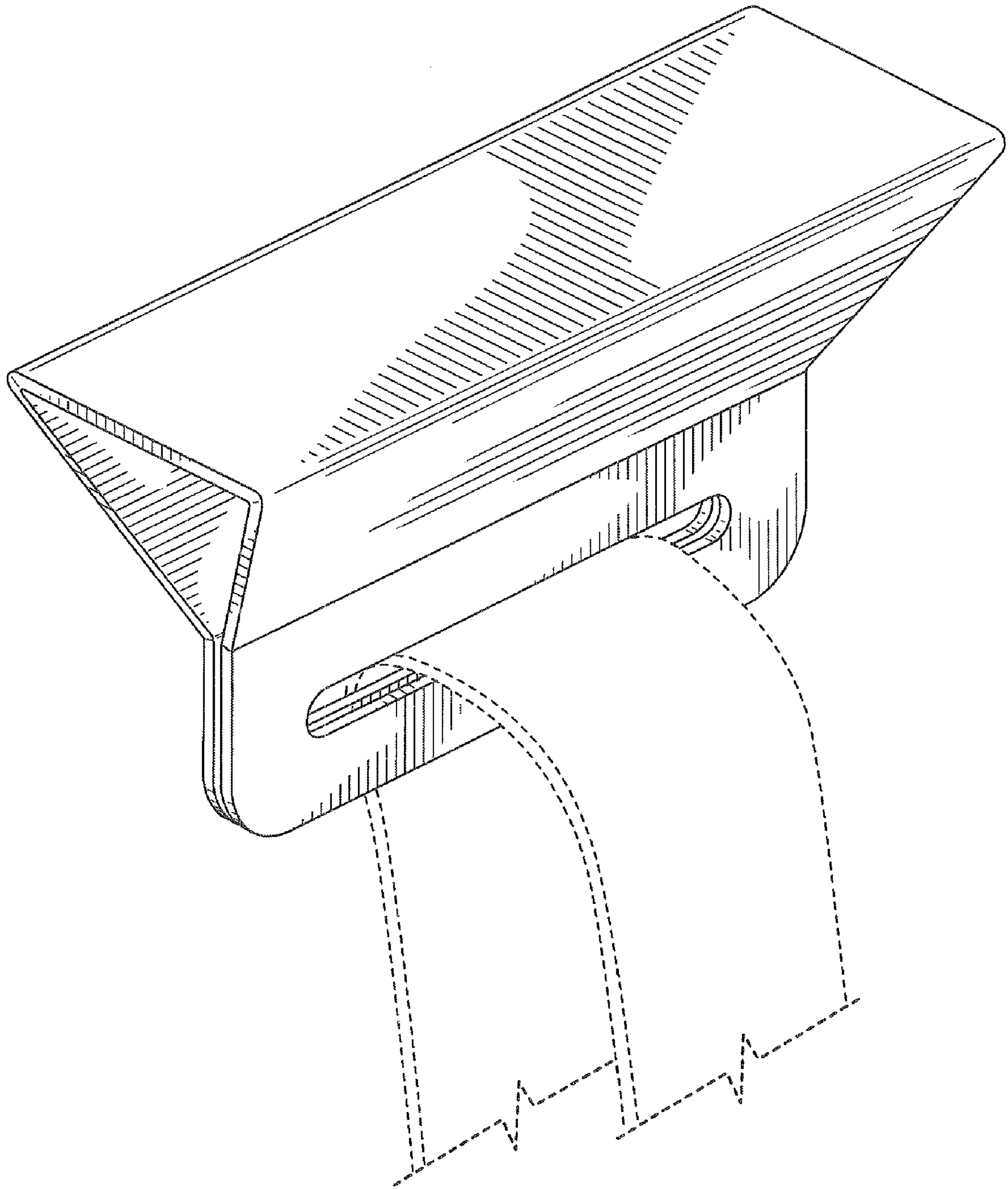


FIG. 1

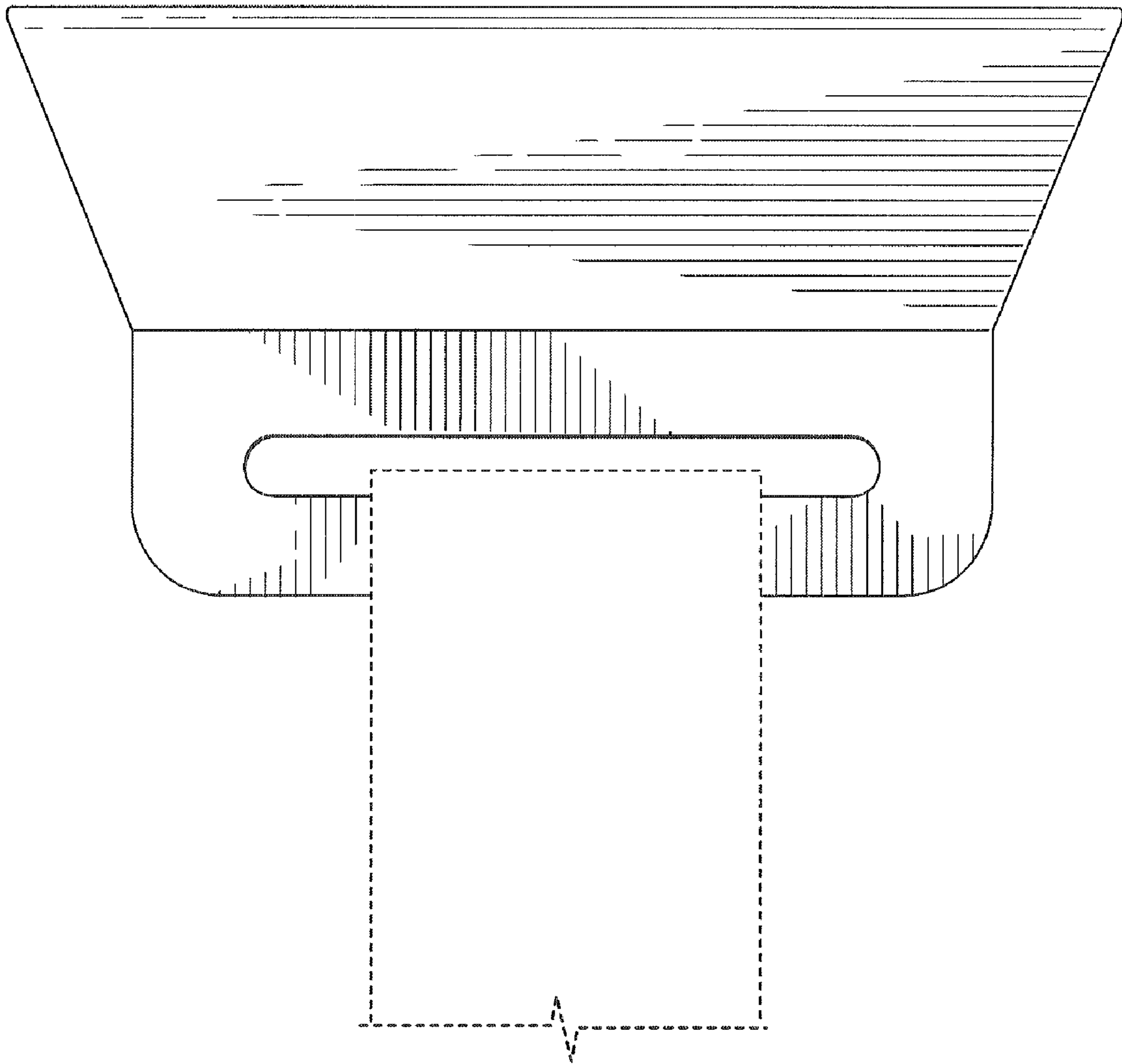
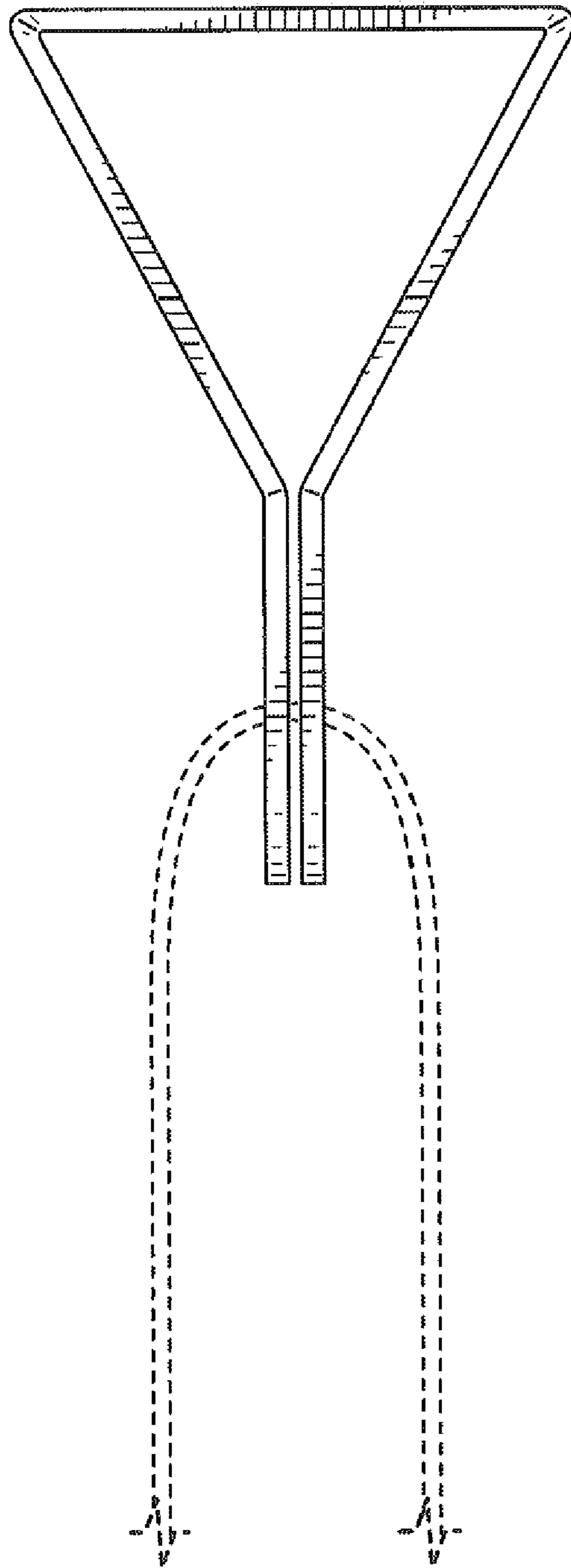


FIG. 2



**FIG. 3**

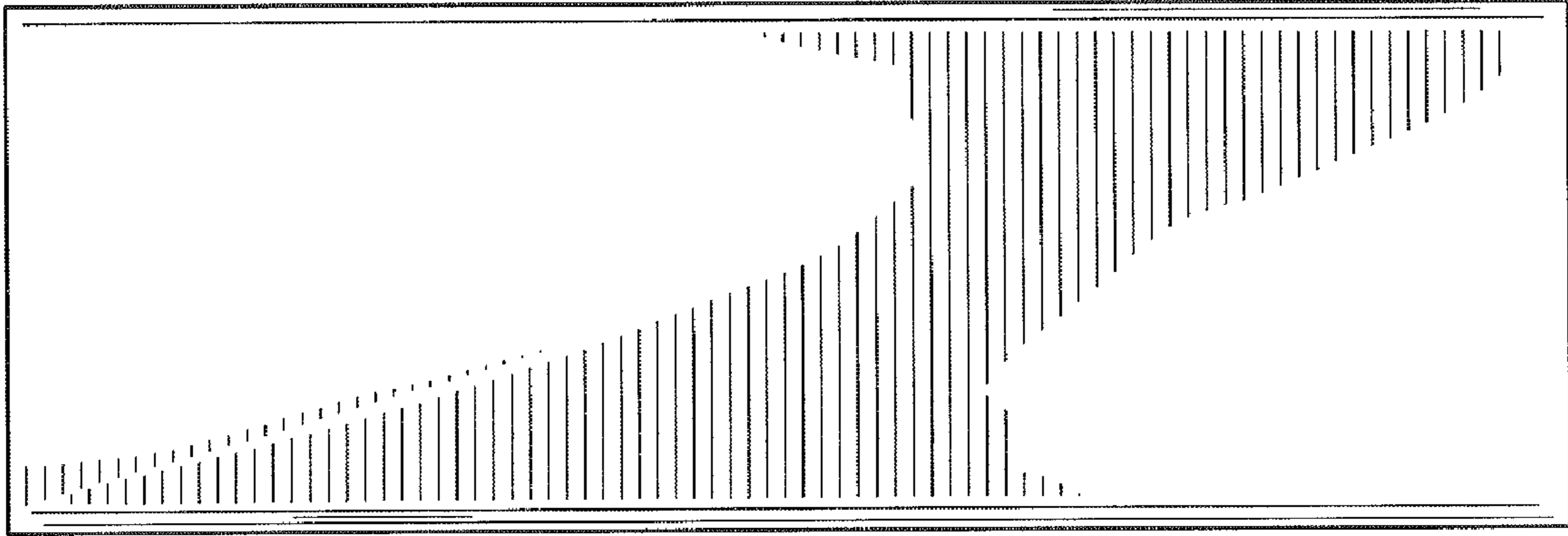


FIG. 4

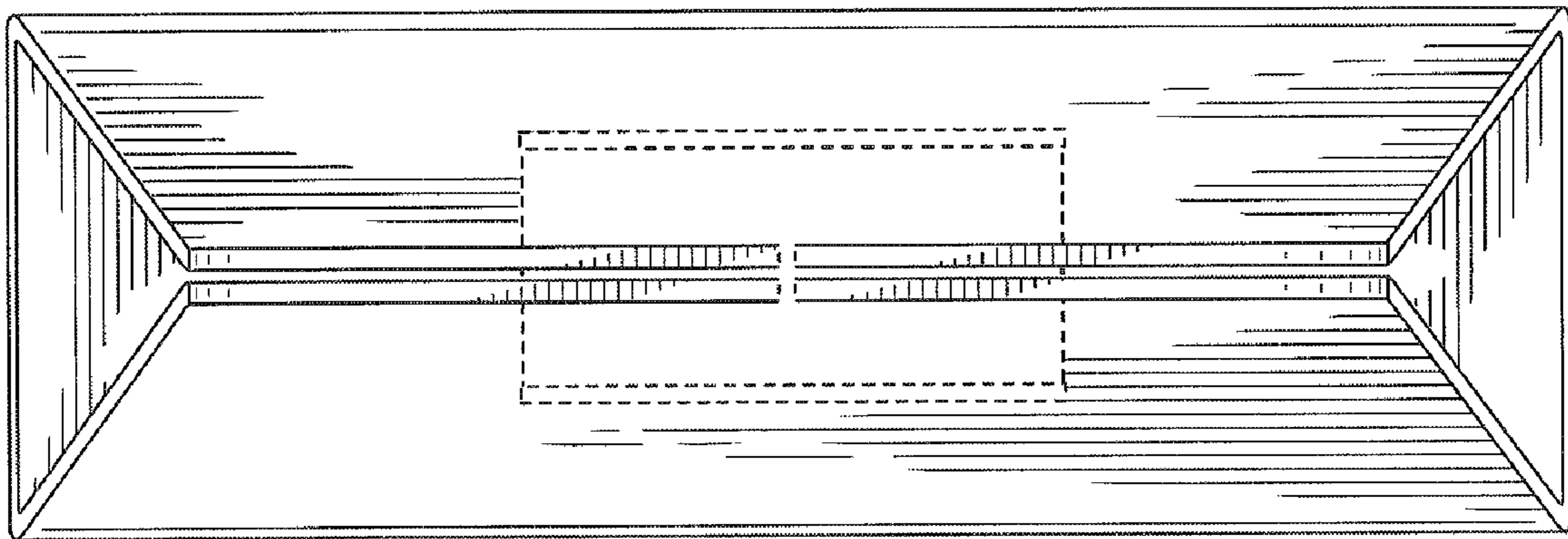
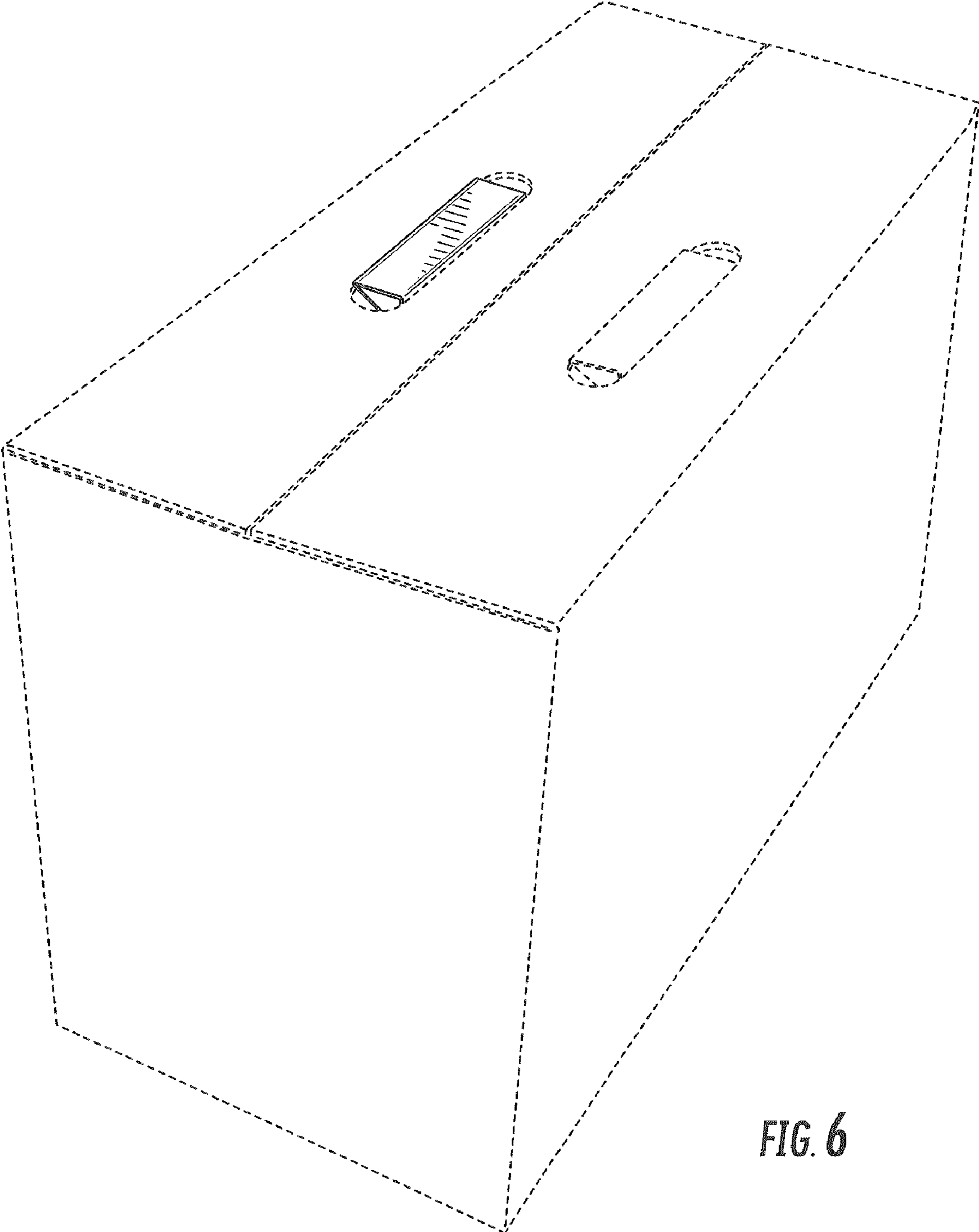


FIG. 5



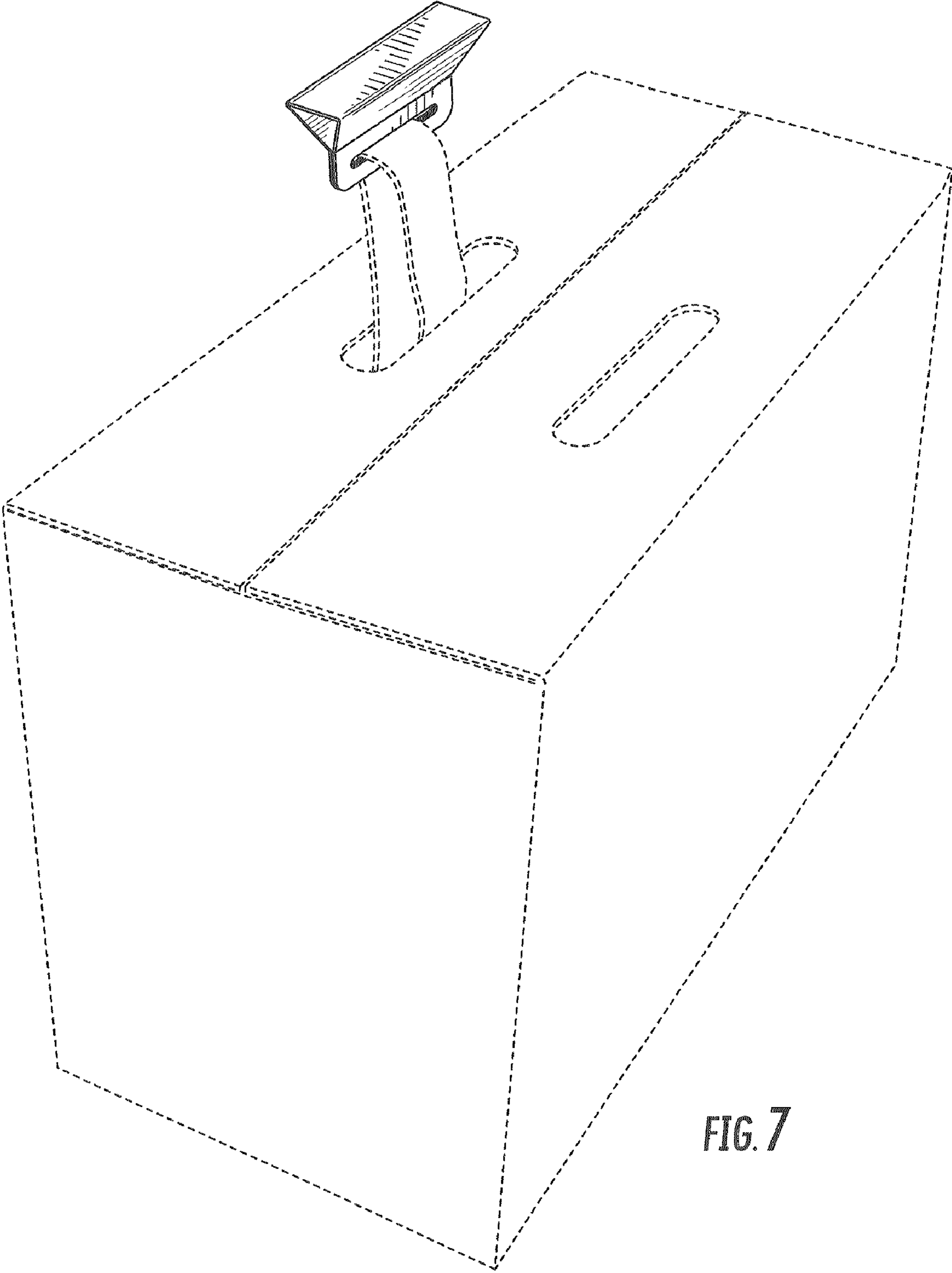


FIG. 7

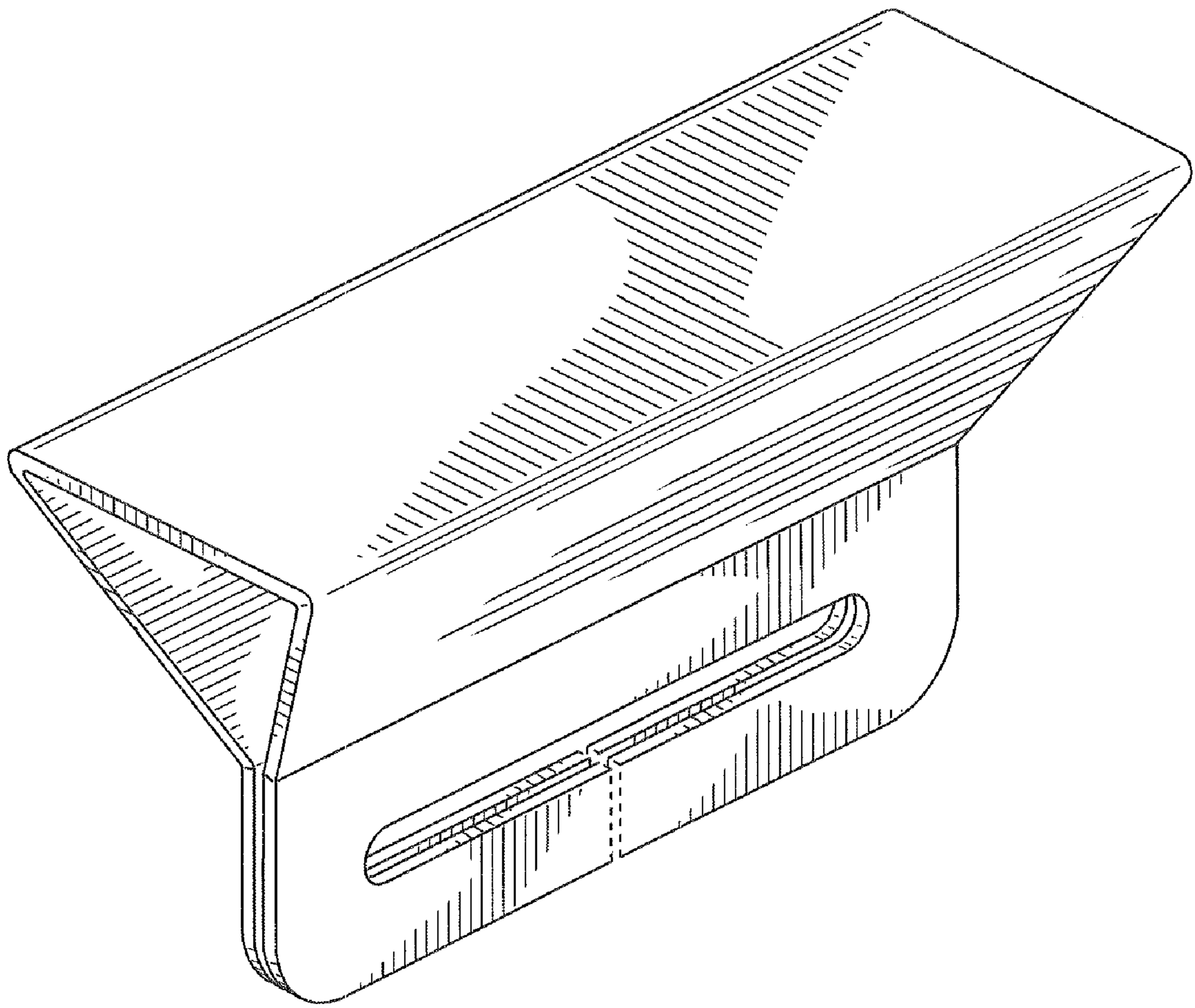


FIG. 8



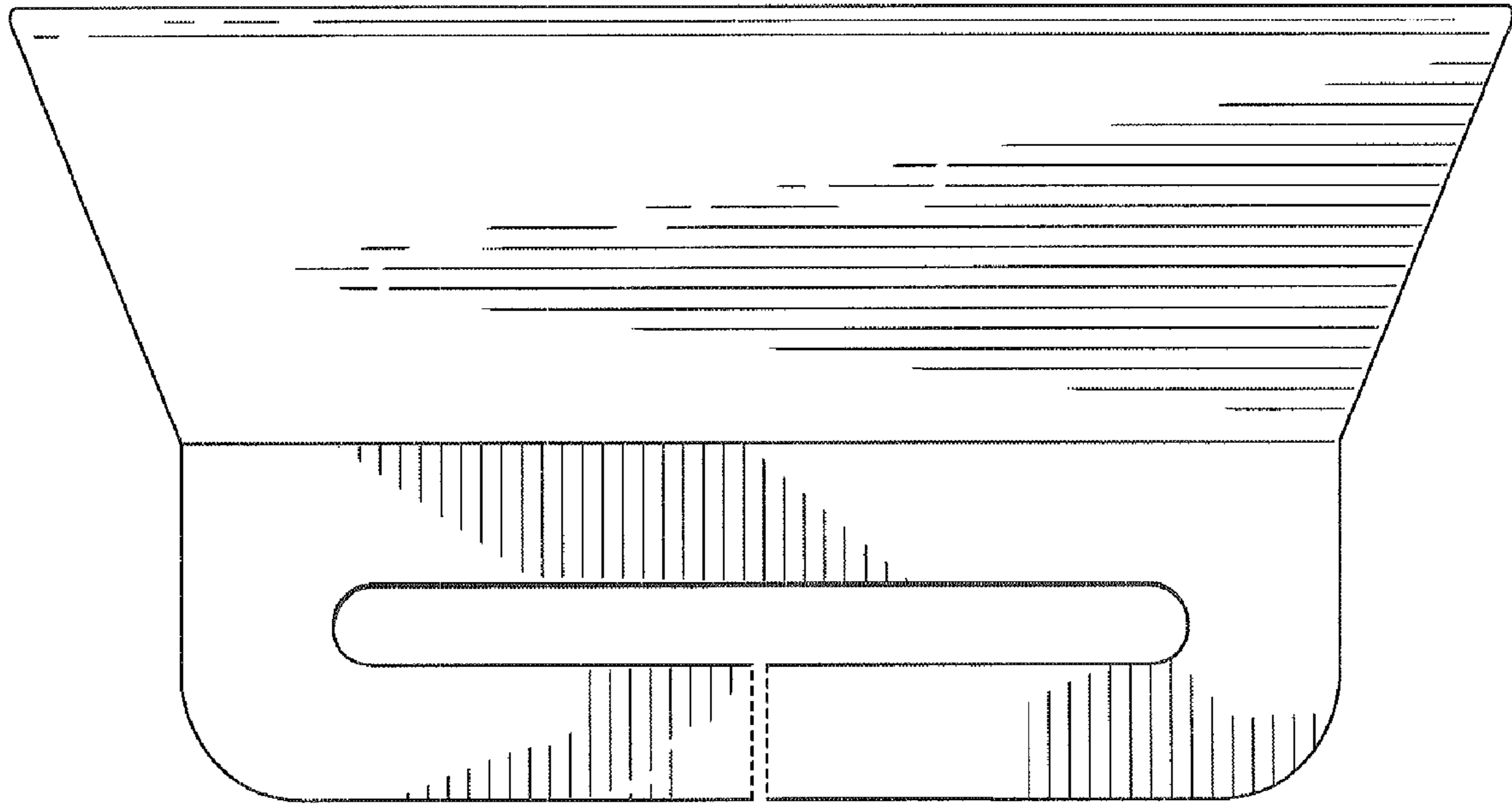


FIG. 9

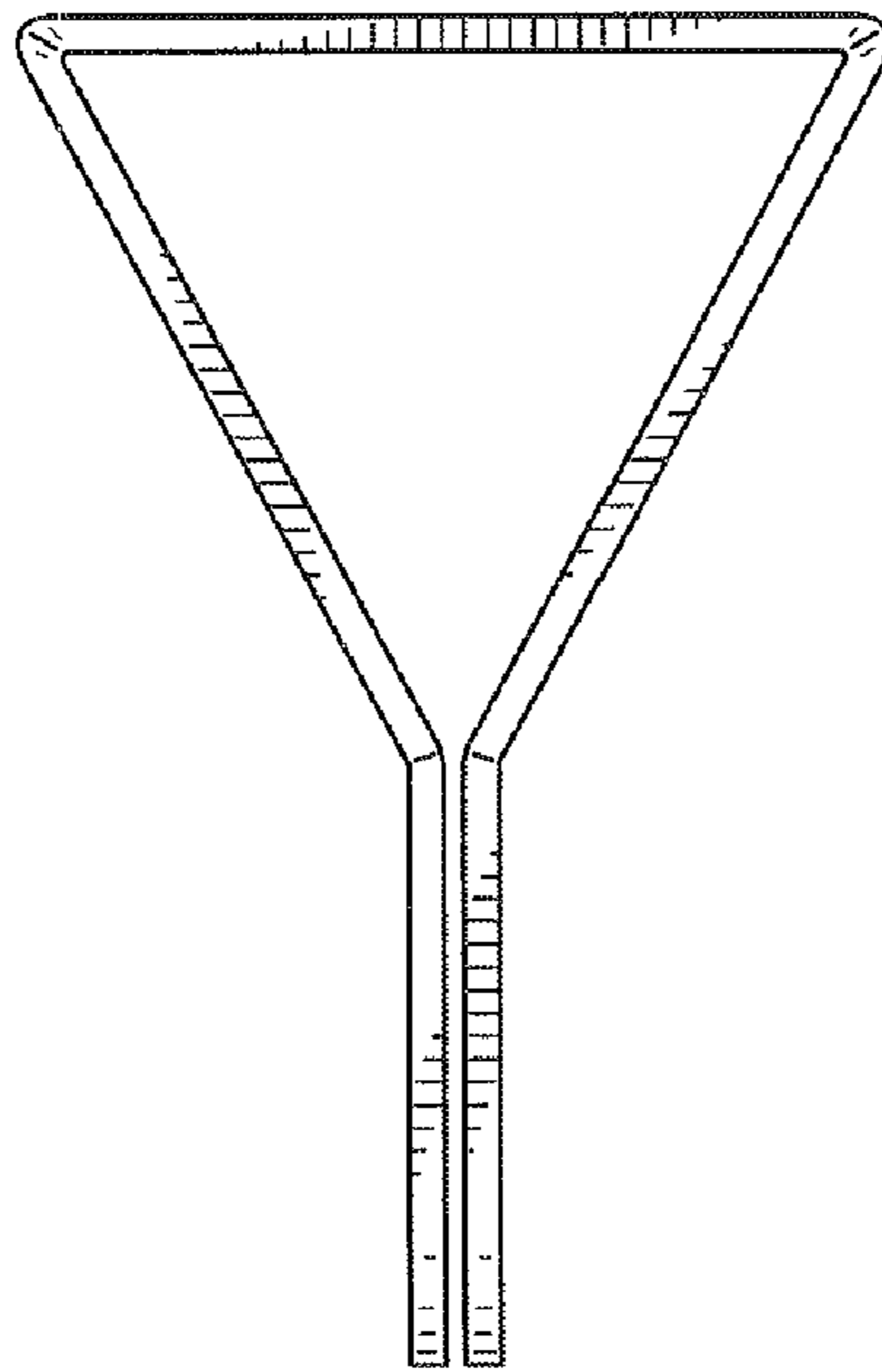
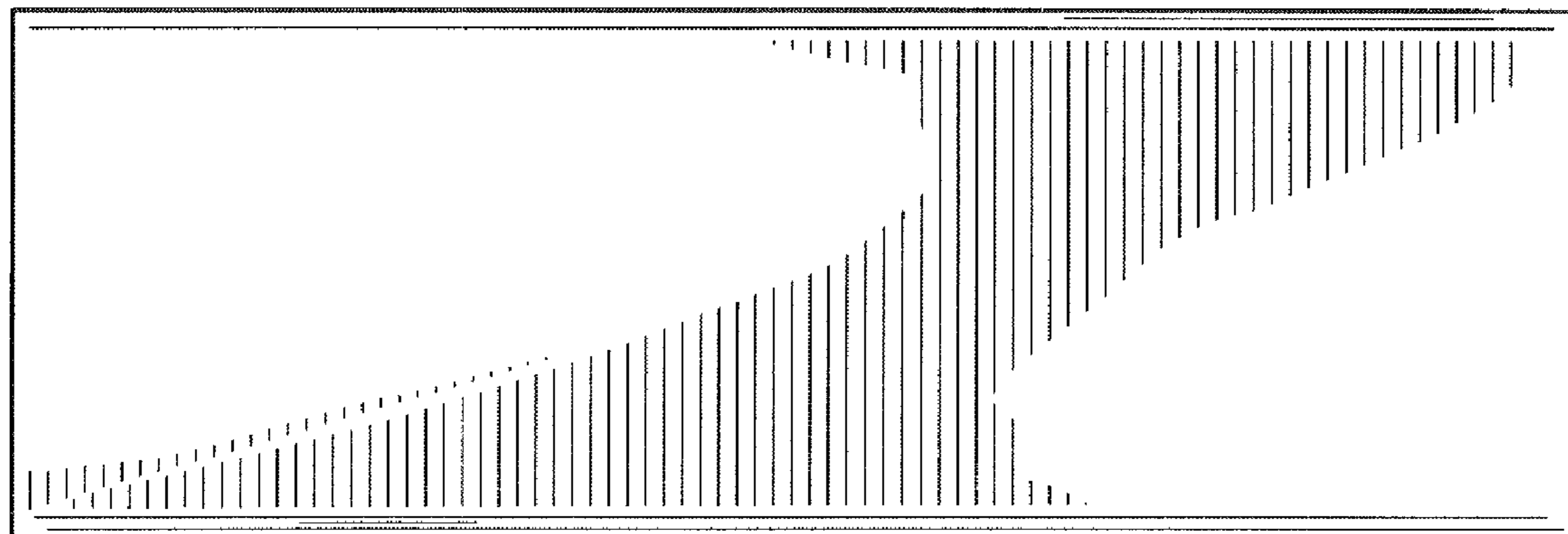
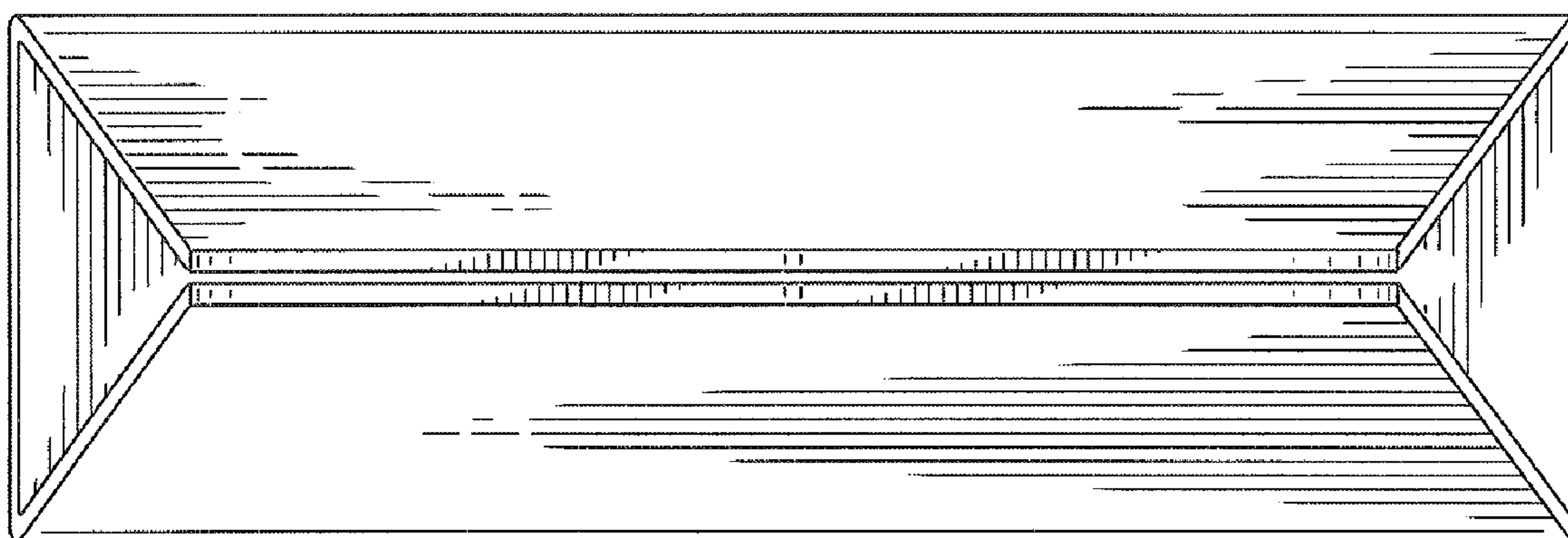


FIG. 10



*FIG. 11*



*FIG. 12*