



US00D622061S

(12) **United States Design Patent**
Higginson

(10) **Patent No.:** **US D622,061 S**

(45) **Date of Patent:** **** Aug. 24, 2010**

(54) **BOX**

(75) **Inventor:** **Mark Christopher Higginson,**
Ingeldene, Preston Road, Charnock
Richard, Chorley, Lancashire, PR7 5HH
(GB)

(73) **Assignee:** **Mark Christopher Higginson,**
Lancashire (GB)

(**) **Term:** **14 Years**

(21) **Appl. No.:** **29/323,385**

(22) **Filed:** **Aug. 25, 2008**

(30) **Foreign Application Priority Data**

Feb. 25, 2008 (EM) 000885538

(51) **LOC (9) Cl.** **03-01**

(52) **U.S. Cl.** **D3/302**

(58) **Field of Classification Search** D3/272-273,
D3/294-295, 302; D7/605, 629; D9/424-425,
D9/432; D32/37; 206/372-373, 503, 508-509,
206/821

See application file for complete search history.

(56) **References Cited**

U.S. PATENT DOCUMENTS

3,376,046 A * 4/1968 Kivett et al. 280/33.998
3,987,829 A * 10/1976 Leone 220/796
D244,173 S * 5/1977 Thurman D32/37
D258,723 S * 3/1981 Cornou D7/629

D319,016 S * 8/1991 Kahl D9/424
D321,090 S * 10/1991 Dickinson D3/294
D321,091 S * 10/1991 Dickinson D3/294
5,183,180 A * 2/1993 Hawkins et al. 294/68.1
D373,953 S * 9/1996 Gale D9/425
D378,025 S * 2/1997 Perelli D3/323
D379,138 S * 5/1997 Carlson D7/629
D387,558 S * 12/1997 Mann et al. D3/312
D569,069 S * 5/2008 Ireland D34/11

* cited by examiner

Primary Examiner—Philip S Hyder

Assistant Examiner—Roselynn Cody

(74) *Attorney, Agent, or Firm*—The Webb Law Firm

(57) **CLAIM**

The ornamental design for a box, as shown.

DESCRIPTION

FIG. 1 is a perspective view of a box in accordance with the present invention;

FIG. 2 is another perspective view thereof;

FIG. 3 is a further perspective view thereof;

FIG. 4 is a top view thereof;

FIG. 5 is a bottom view thereof;

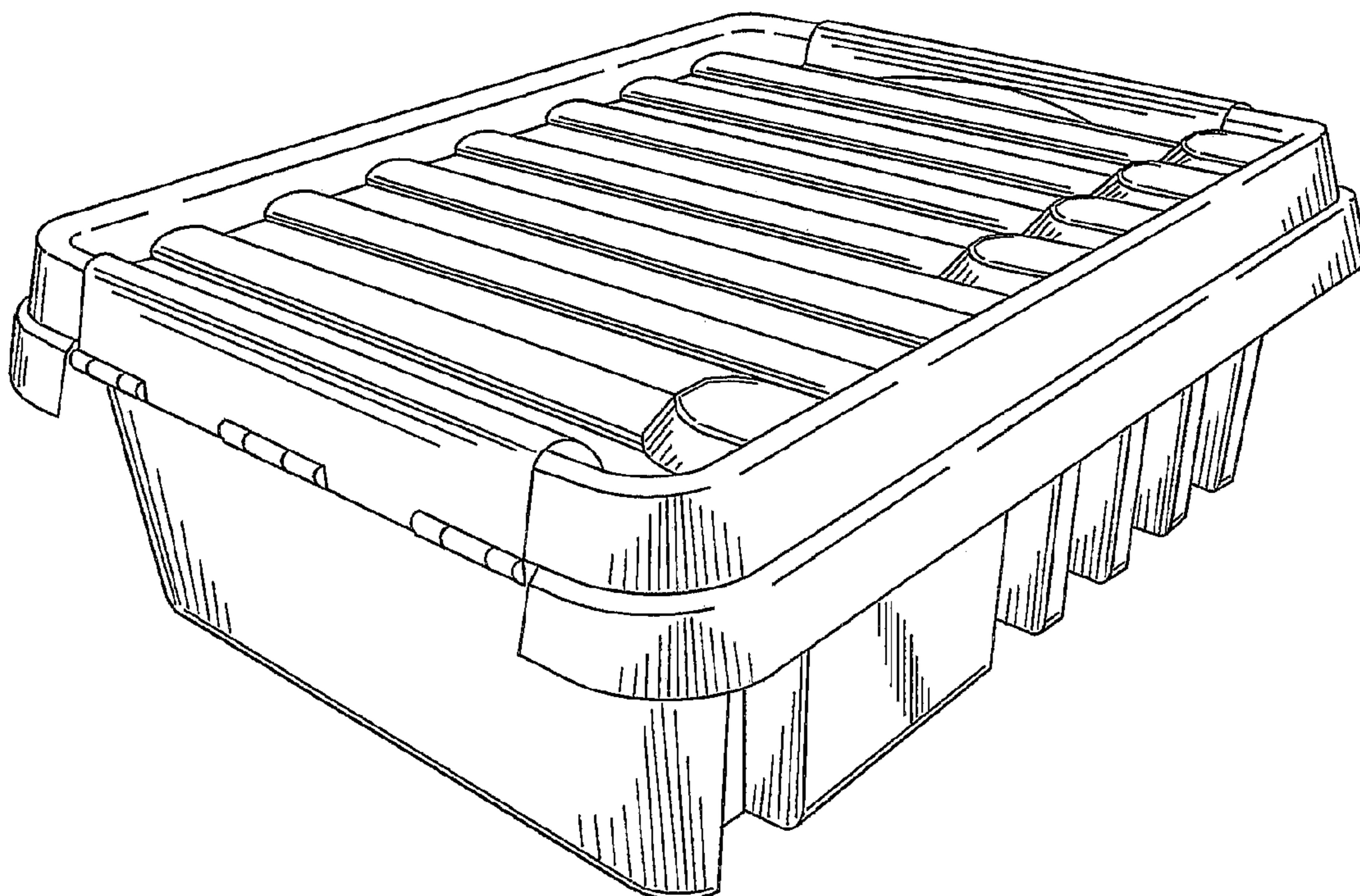
FIG. 6 is a side view thereof;

FIG. 7 is the other side view thereof;

FIG. 8 is an end view thereof; and,

FIG. 9 is the other end view thereof.

1 Claim, 7 Drawing Sheets



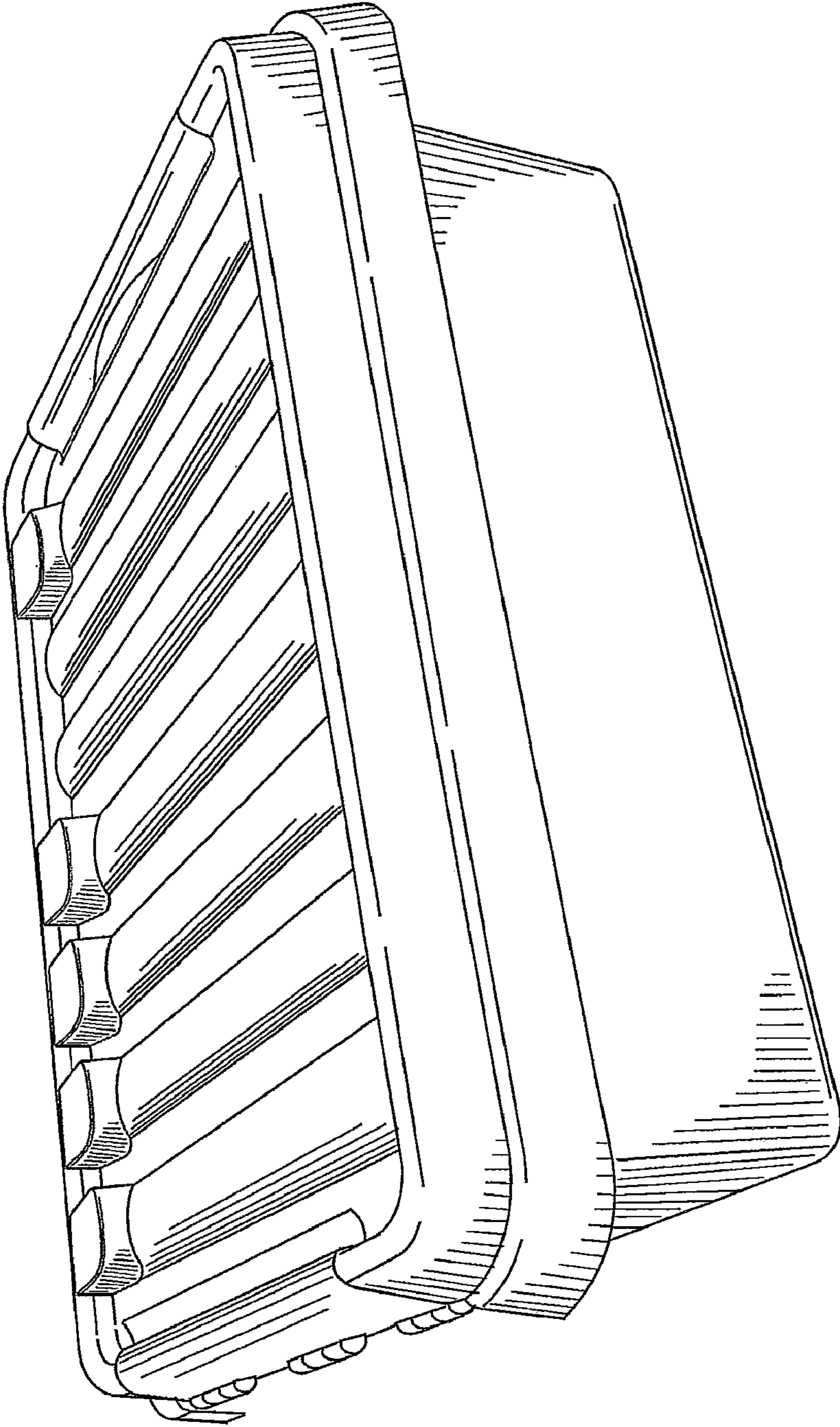


FIG. 1

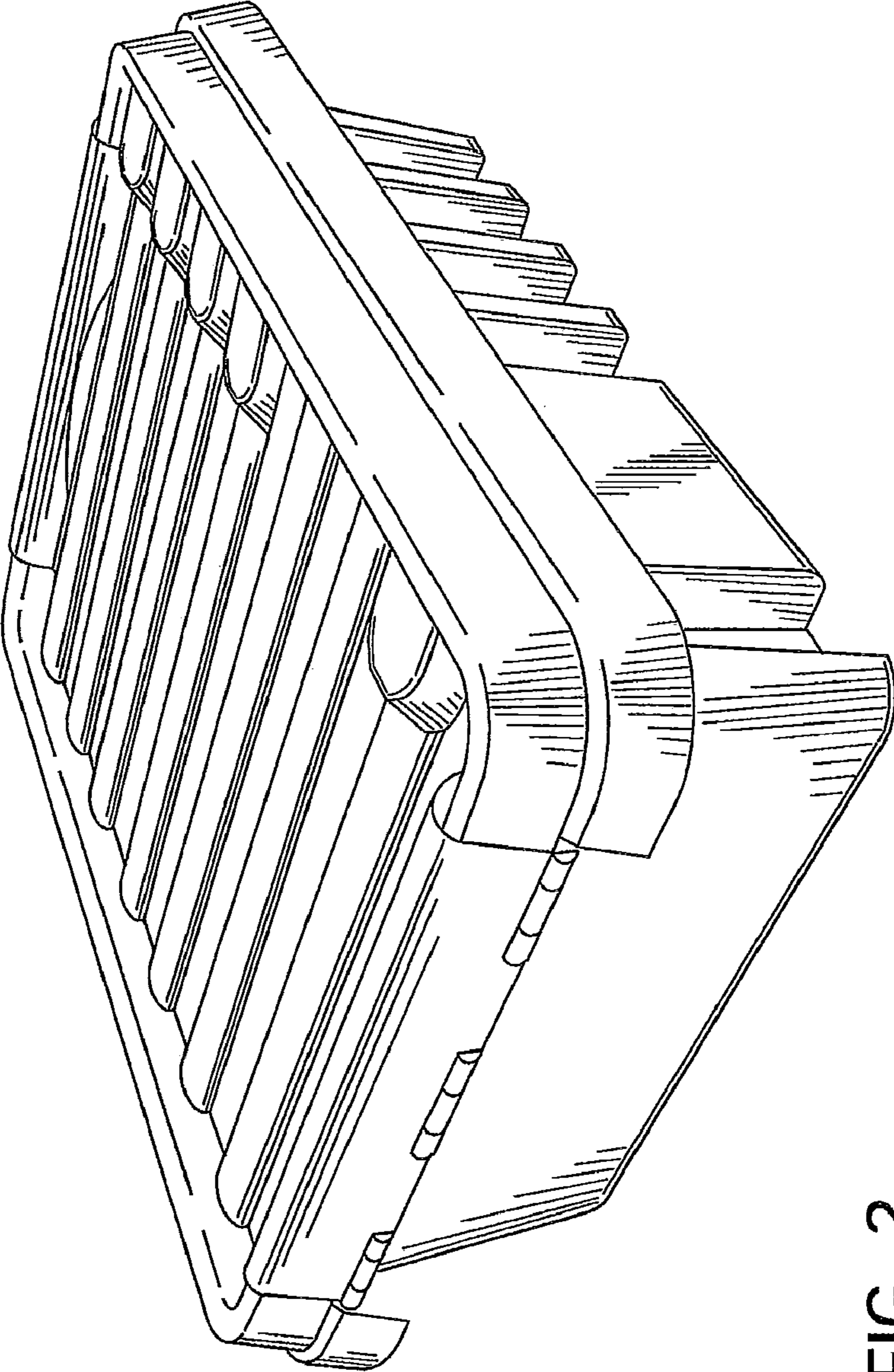


FIG. 2

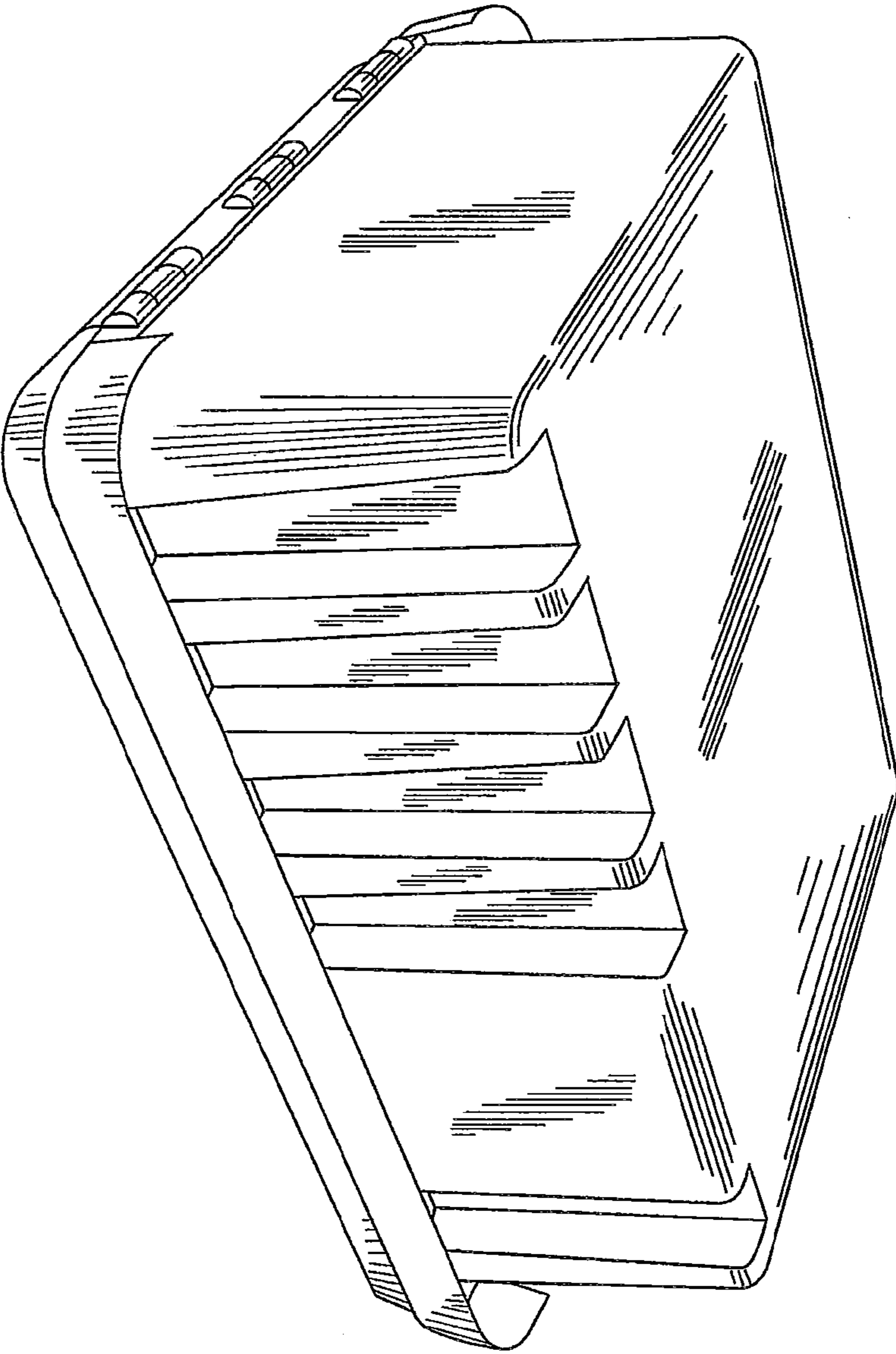


FIG. 3

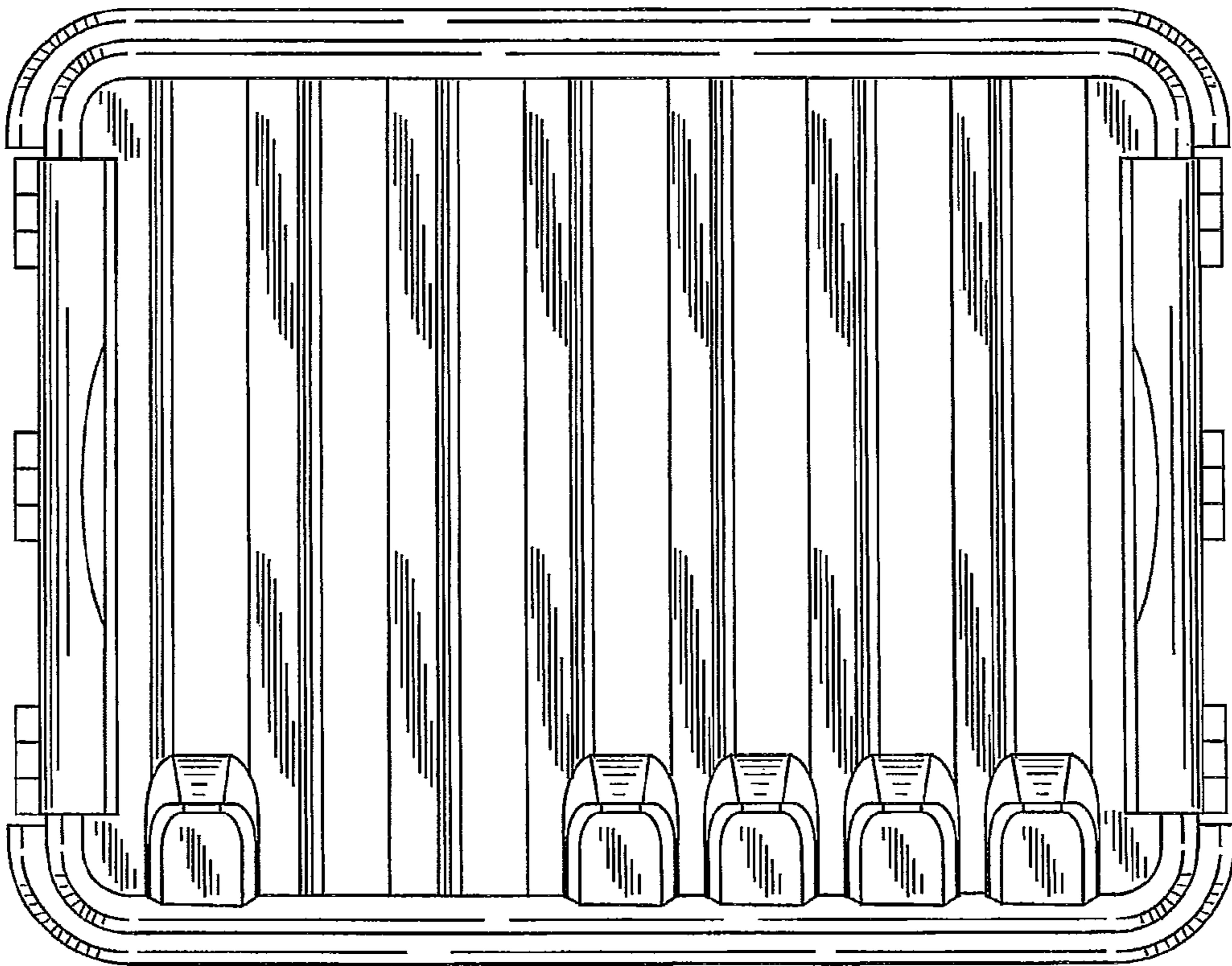


FIG. 4

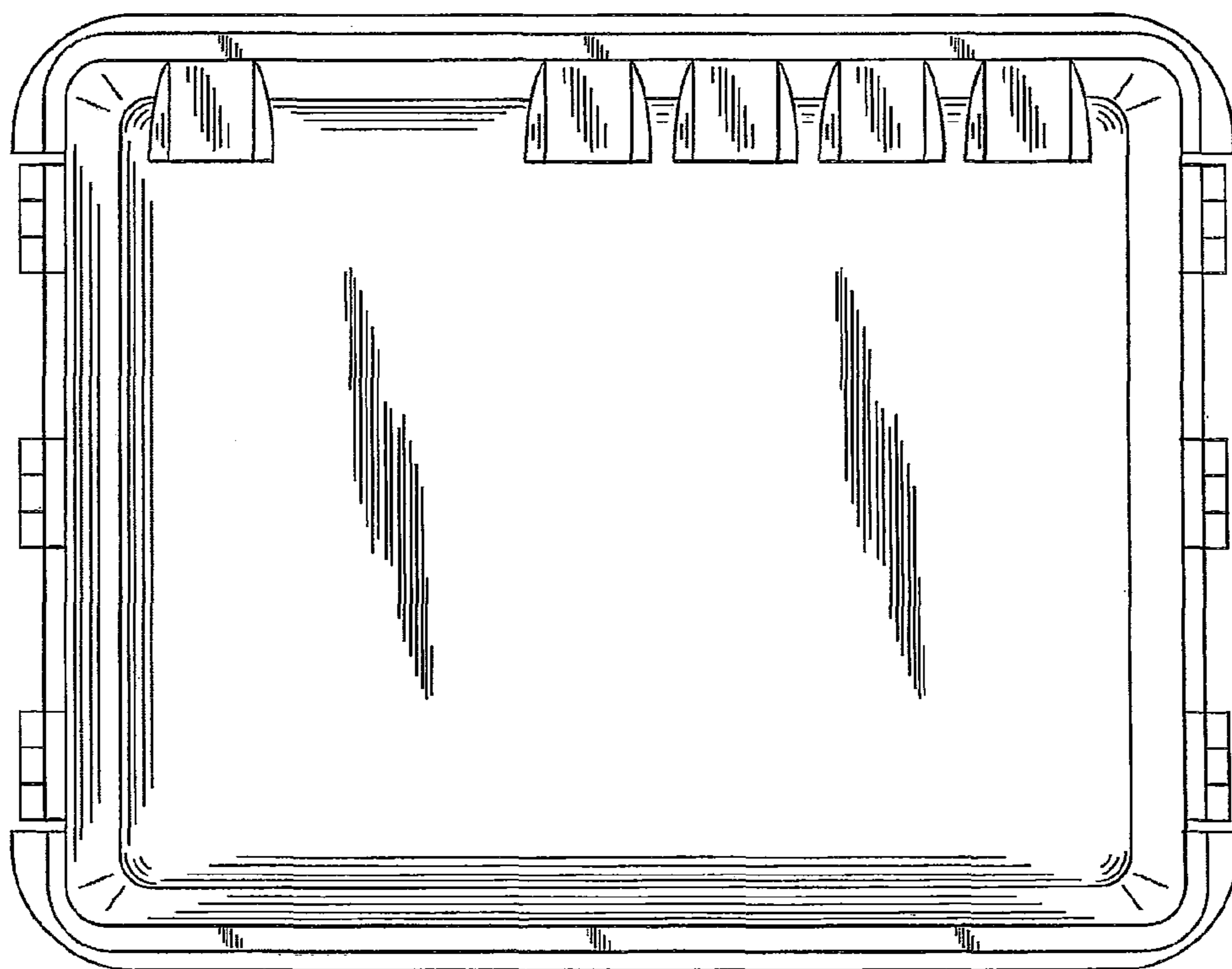


FIG. 5

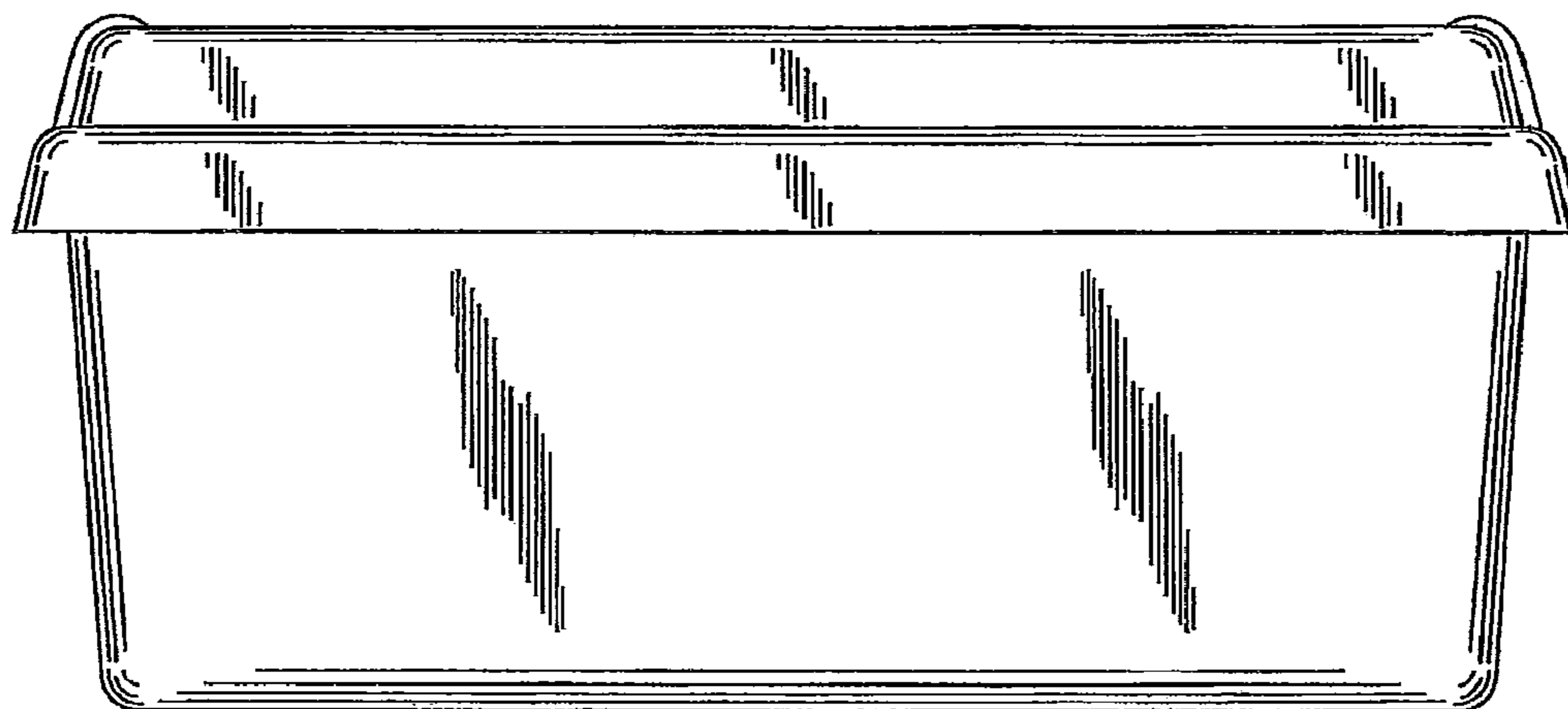


FIG. 6

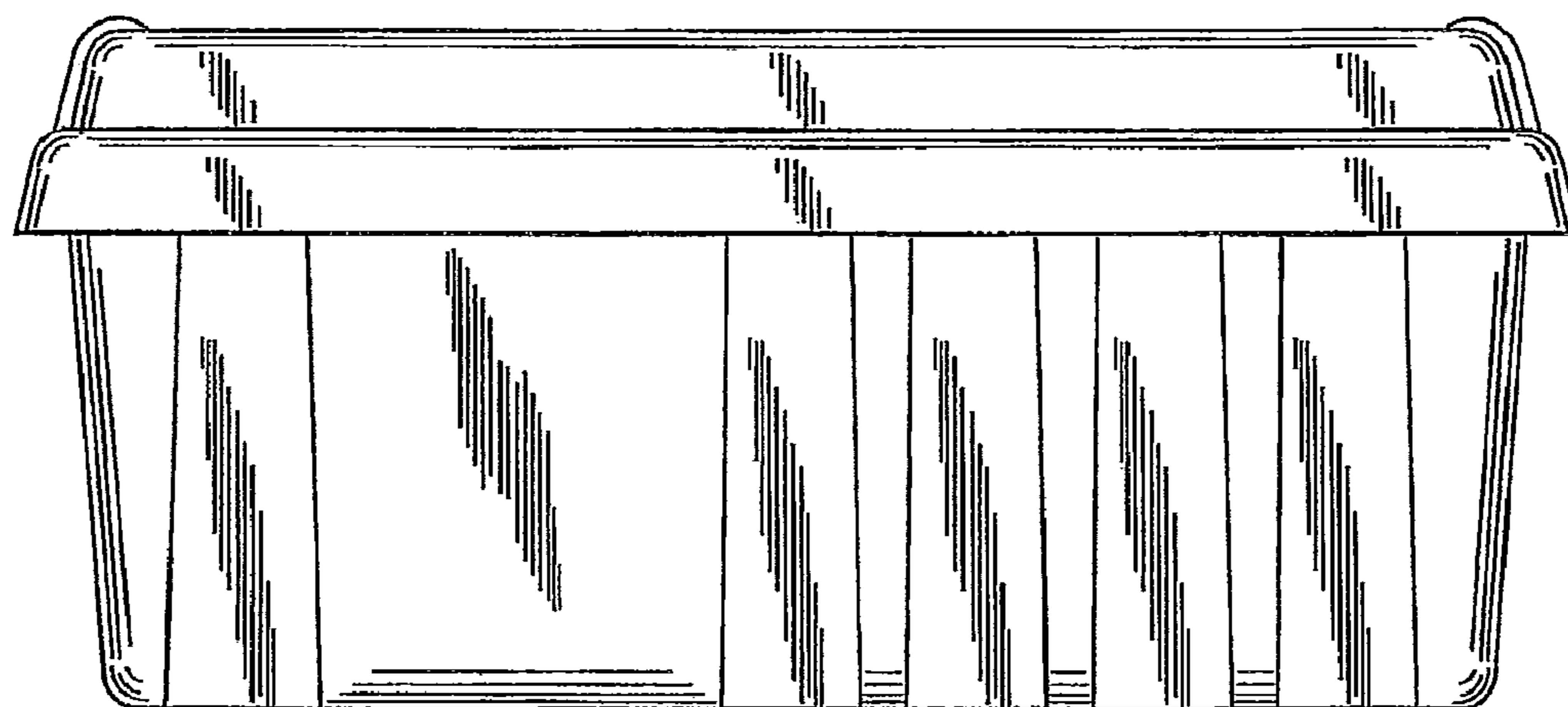


FIG. 7

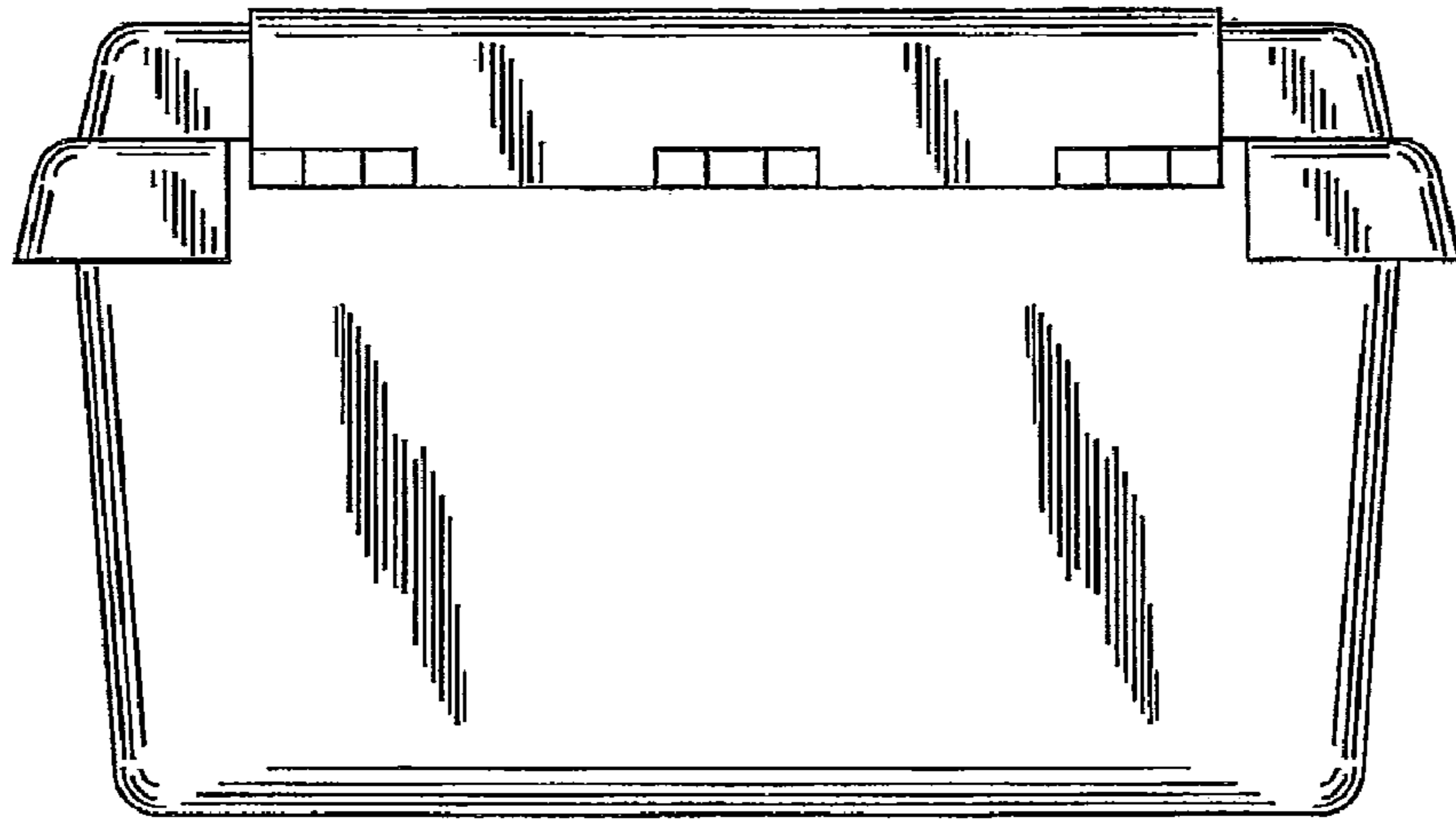


FIG. 8

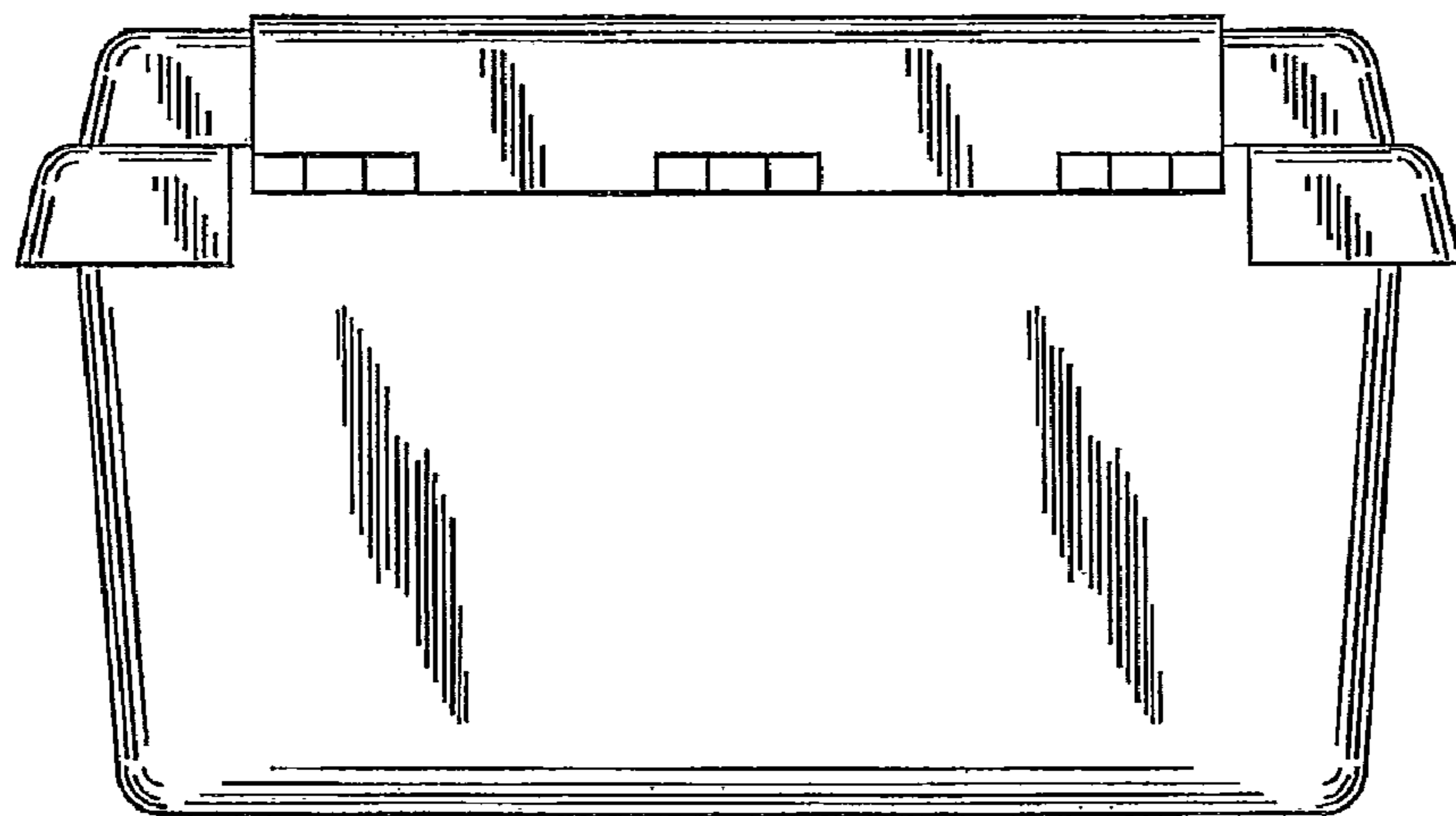


FIG. 9