



US00D622060S

(12) **United States Design Patent**  
**Scicluna et al.**

(10) **Patent No.:** **US D622,060 S**

(45) **Date of Patent:** **\*\* Aug. 24, 2010**

(54) **EXPANDABLE WHEELED LUGGAGE**

(75) Inventors: **Paul V. Scicluna**, Penndel, PA (US);  
**Victor Sanz**, Whitehouse Station, NJ (US)

(73) Assignee: **Tumi, Inc.**, South Plainfield, NJ (US)

(\*\*) Term: **14 Years**

(21) Appl. No.: **29/348,943**

(22) Filed: **Feb. 23, 2010**

(51) **LOC (9) Cl.** ..... **03-01**

(52) **U.S. Cl.** ..... **D3/279**

(58) **Field of Classification Search** ..... D3/272,  
D3/273, 274, 276, 279, 283, 289, 301, 318,  
D3/321, 323, 902, 904; 190/100, 108, 110,  
190/111, 115, 122, 124, 126, 127; 280/37,  
280/47.17, 47.19, 47.2, 47.24, 47.26, 47.315

See application file for complete search history.

(56) **References Cited**

**U.S. PATENT DOCUMENTS**

2,001,807	A *	5/1935	Wheary	.....	206/292
2,023,962	A *	12/1935	Levine	.....	206/289
5,295,565	A *	3/1994	Latshaw	.....	190/18 A
D358,031	S *	5/1995	Aumasson	.....	D3/318
D364,504	S *	11/1995	Bieber et al.	.....	D3/276
D414,933	S *	10/1999	Yu	.....	D3/282
D421,332	S *	3/2000	Krulik	.....	D3/276
D427,434	S *	7/2000	King et al.	.....	D3/279
6,213,267	B1 *	4/2001	Miller	.....	190/108
D456,993	S *	5/2002	Lin	.....	D3/279
6,431,334	B1 *	8/2002	Lin	.....	190/120
D476,154	S *	6/2003	Lovett	.....	D3/279
D485,681	S *	1/2004	Fenton et al.	.....	D3/279
D487,348	S *	3/2004	Fenton et al.	.....	D3/318
D512,220	S *	12/2005	Van Himbeeck	.....	D3/279

7,228,962	B2 *	6/2007	Scicluna	.....	206/279
7,503,440	B2 *	3/2009	Gormick et al.	.....	190/102
D590,595	S *	4/2009	Chu et al.	.....	D3/279
D601,344	S *	10/2009	Chu et al.	.....	D3/321
D614,859	S *	5/2010	Hansen	.....	D3/203.7
2004/0108179	A1 *	6/2004	Scicluna et al.	.....	190/109
2006/0086444	A1 *	4/2006	Yu	.....	150/154
2007/0267262	A1 *	11/2007	Sederoff	.....	190/103
2009/0260940	A1 *	10/2009	Gracer et al.	.....	190/110
2010/0095480	A1 *	4/2010	Scicluna	.....	16/113.1
2010/0101971	A1 *	4/2010	Chisholm	.....	206/526

\* cited by examiner

*Primary Examiner*—Elizabeth A Albert

*Assistant Examiner*—Karen E Eldridge Powers

(74) *Attorney, Agent, or Firm*—Charles E. Baxley

(57) **CLAIM**

I claim the ornamental design for expandable wheeled luggage, as shown and described.

**DESCRIPTION**

FIG. 1 is a downward frontal rightward perspective view of expandable wheeled luggage according to our new and useful design;

FIG. 2 is a front elevational view thereof;

FIG. 3 is a right elevational view thereof;

FIG. 4 is a rear elevational view thereof;

FIG. 5 is a left elevational view thereof.

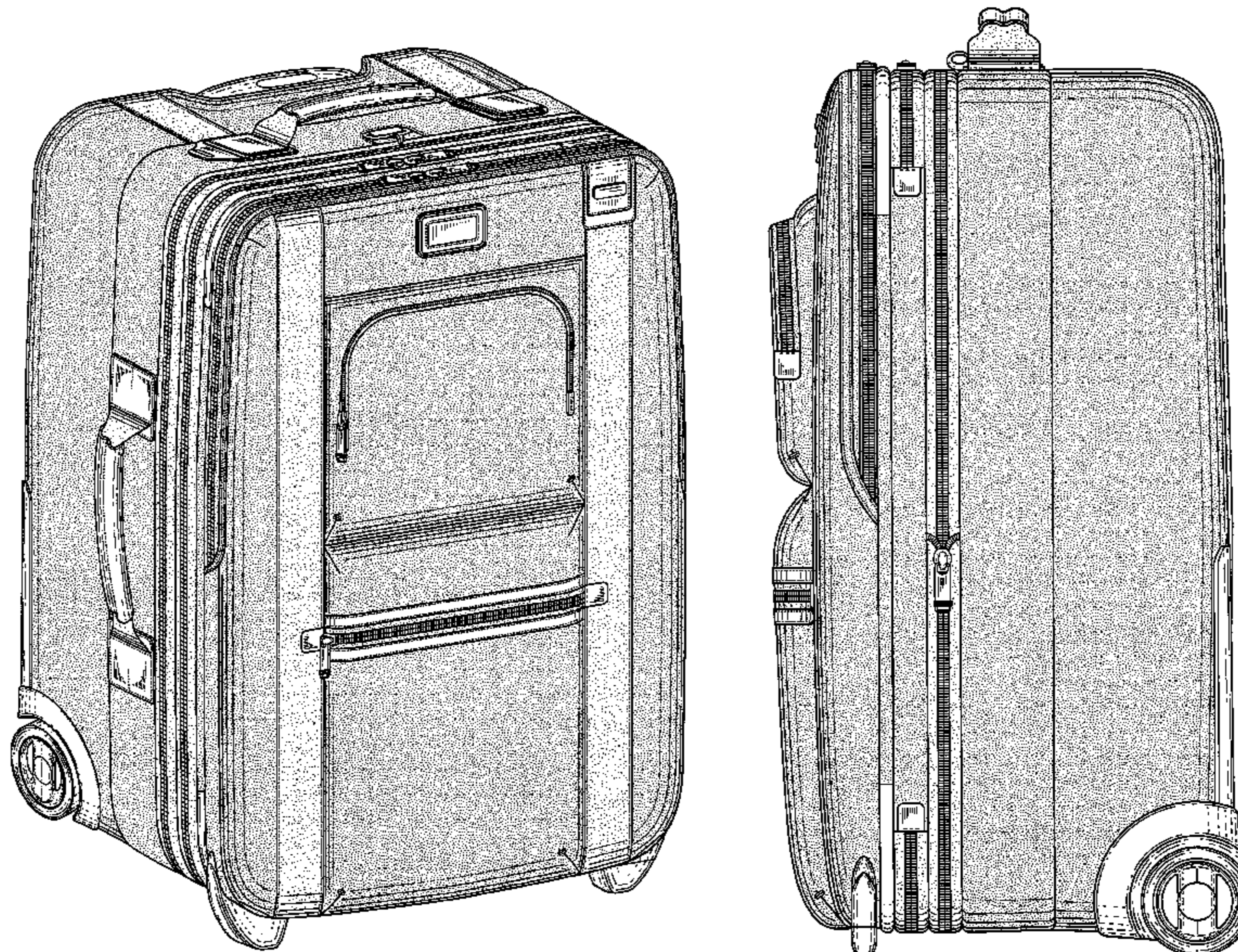
FIG. 6 is an top plan view thereof; and,

FIG. 7 is a bottom plan view thereof.

The uniformly-segmented broken lines shown in the drawings illustrate stitching and form a part of the claimed design.

The stippling shown in the drawings illustrates color contrast.

**1 Claim, 7 Drawing Sheets**



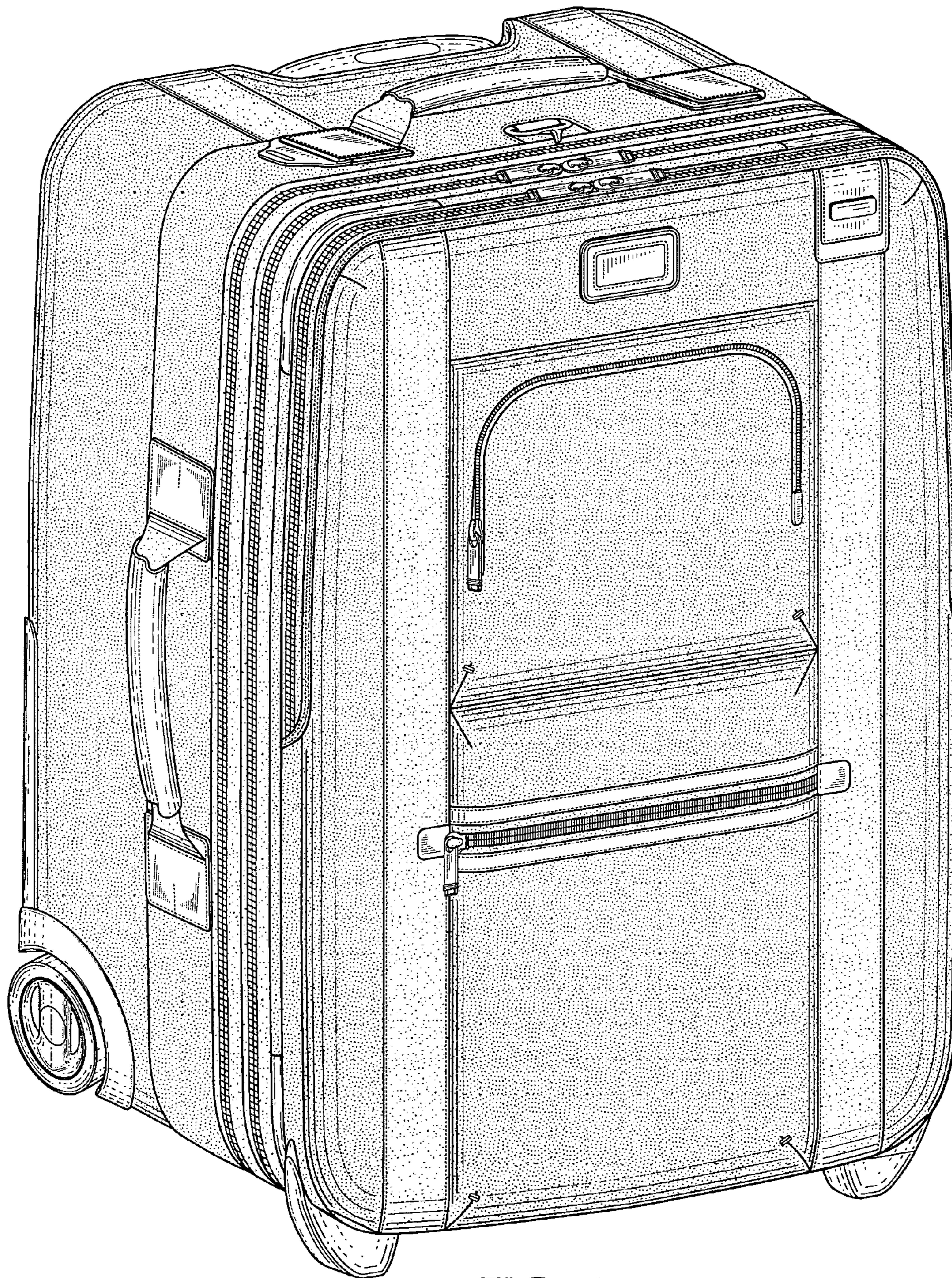


FIG. 1

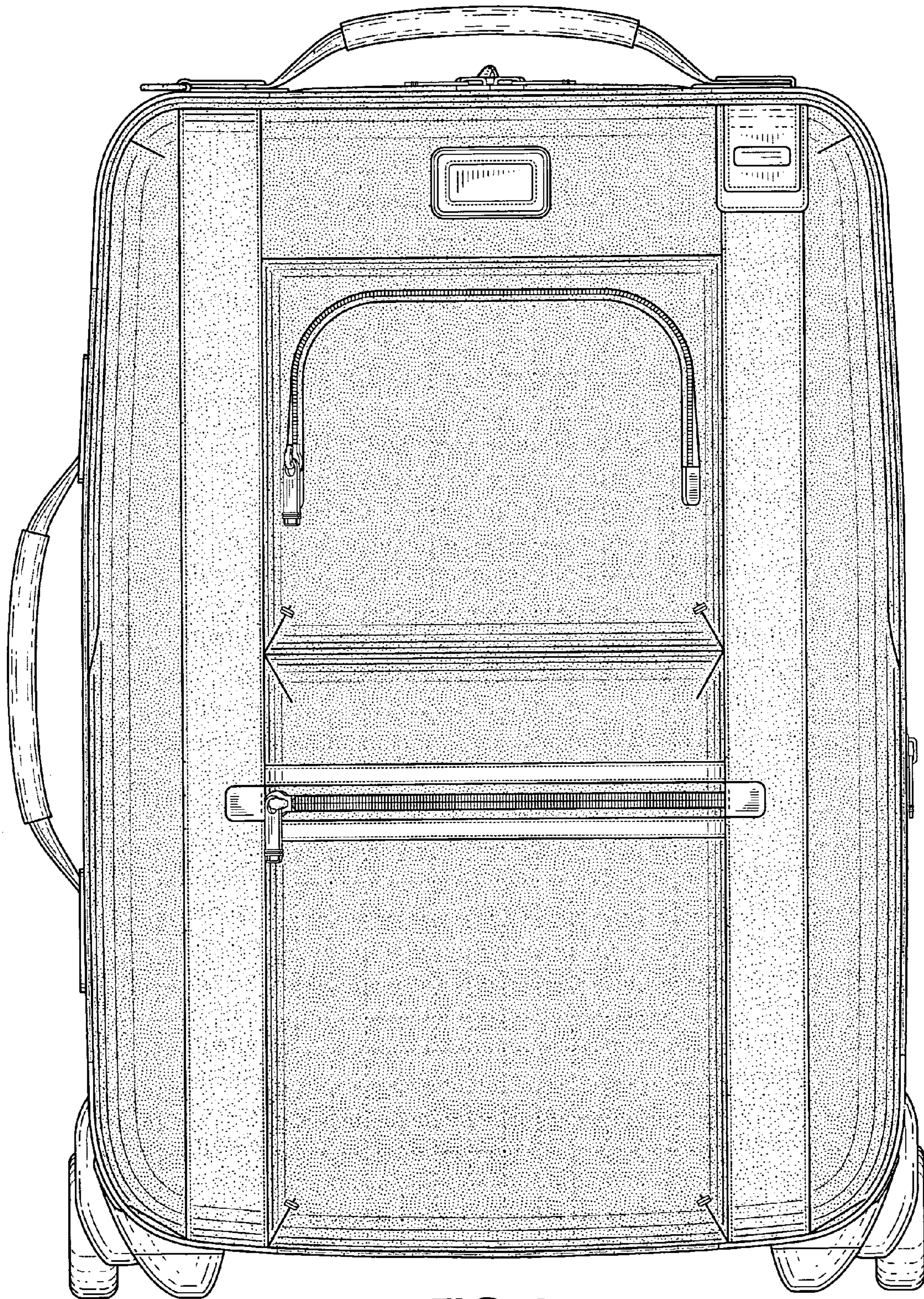


FIG. 2

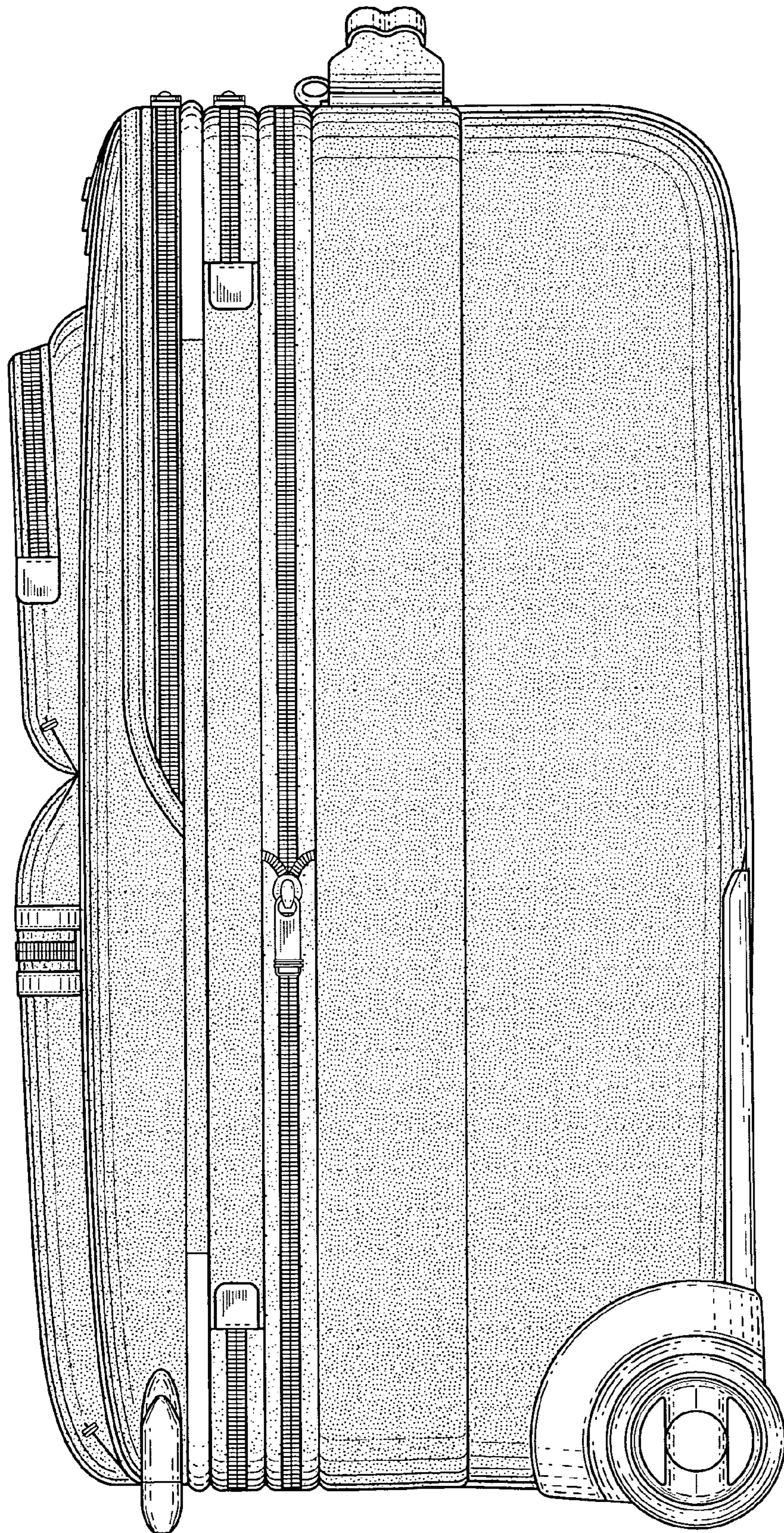


FIG. 3

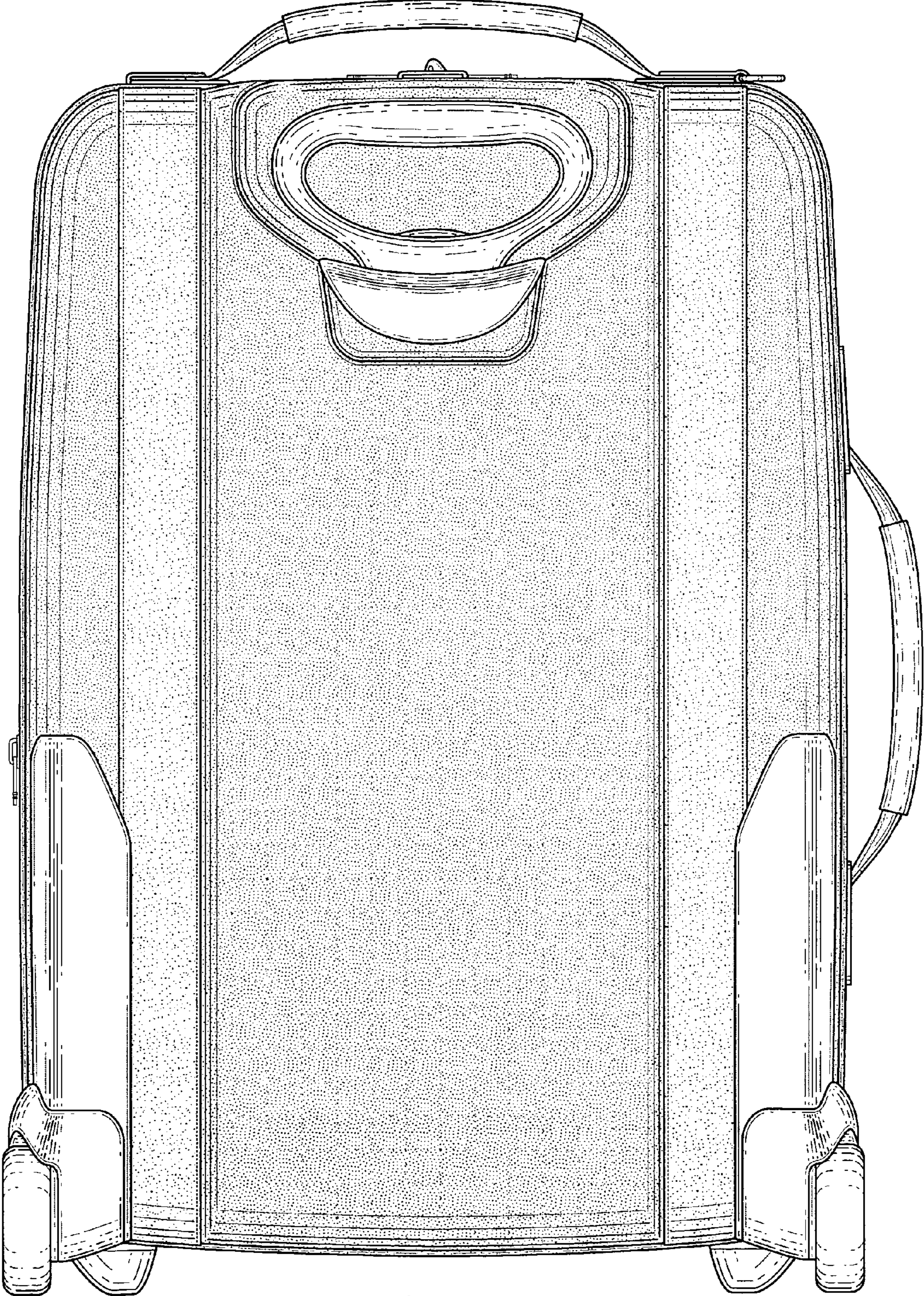


FIG. 4

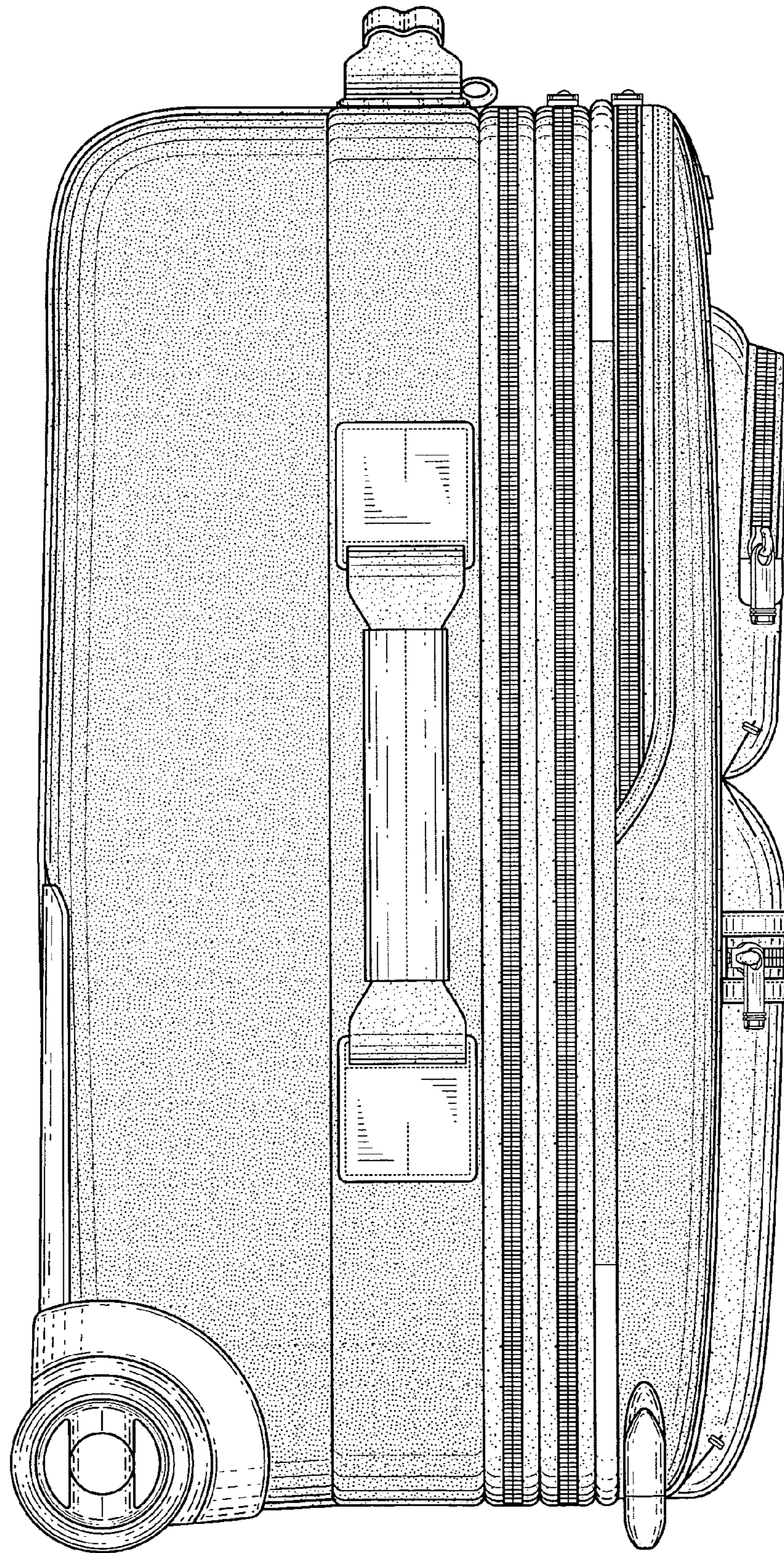


FIG. 5

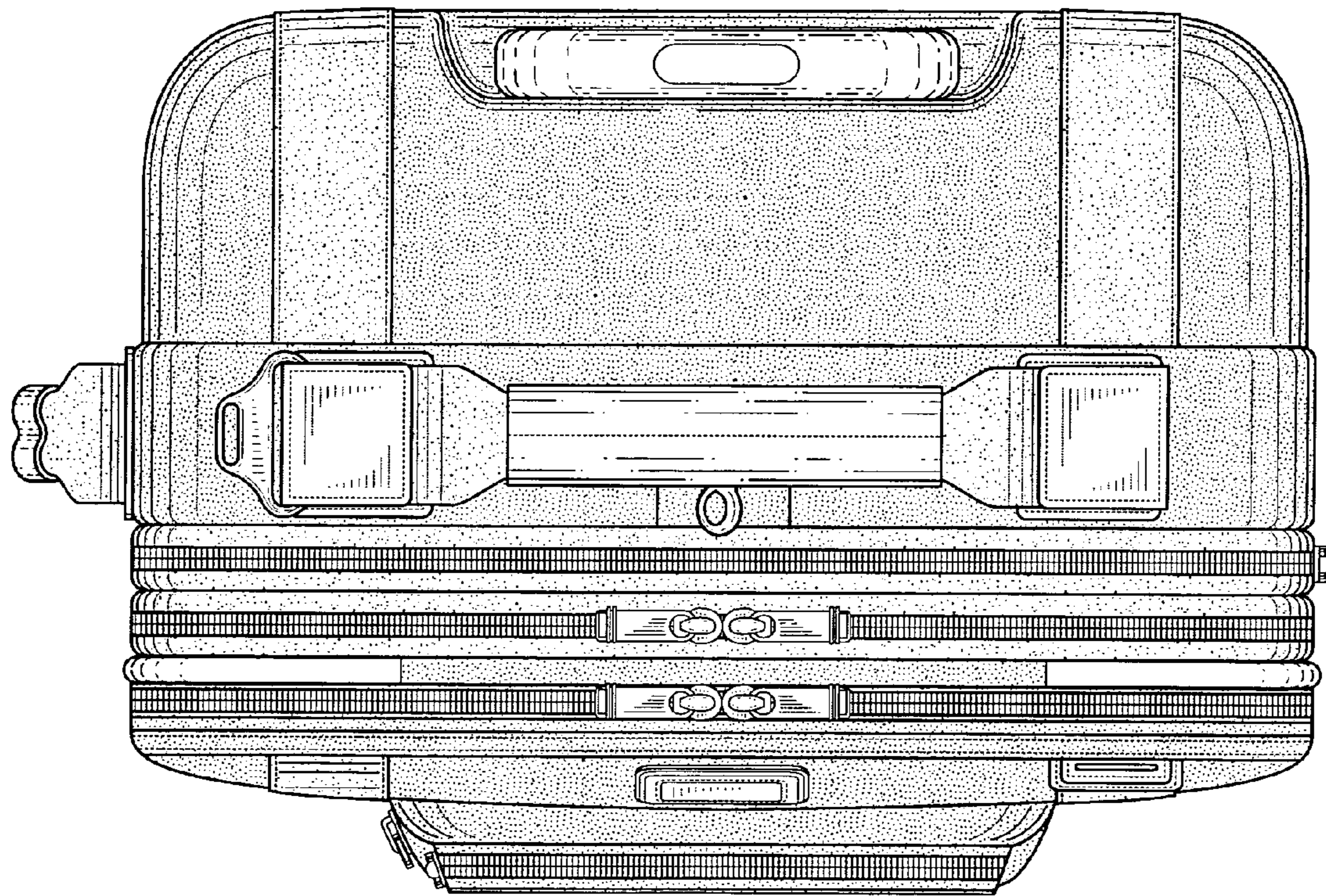


FIG. 6

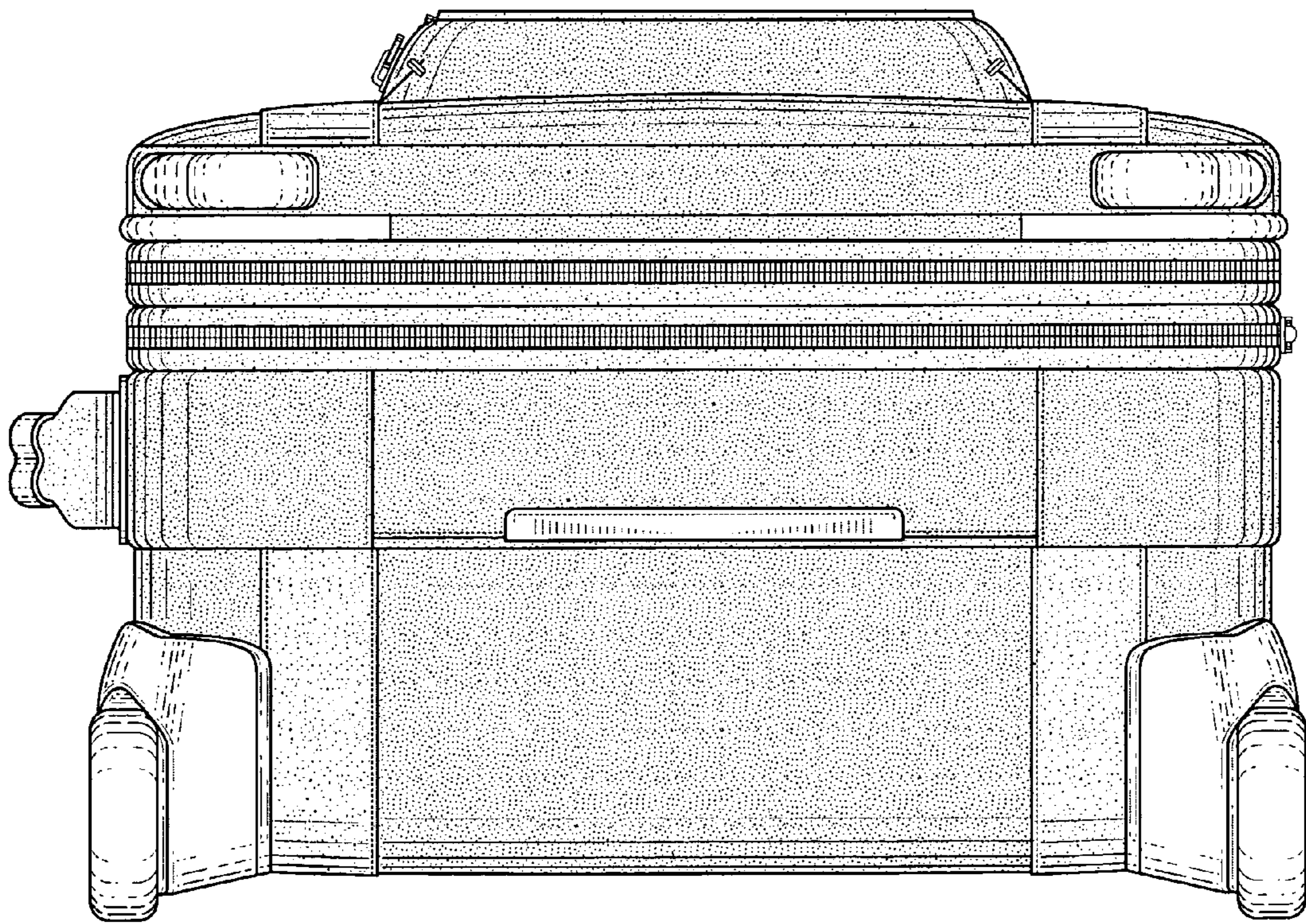


FIG. 7