



US00D622059S

(12) **United States Design Patent**  
**Deguglimo et al.**

(10) **Patent No.:** **US D622,059 S**

(45) **Date of Patent:** **\*\* Aug. 24, 2010**

(54) **TOOL CASE AND T TOOL HANDLE**

(75) Inventors: **Joseph Deguglimo**, Boca Raton, FL  
(US); **Glenn Robinson**, Coral Springs,  
FL (US); **Francisco Molina**, Davie, FL  
(US)

(73) Assignee: **IBT Holdings, Inc.**, Deerfield Beach, FL  
(US)

(\*\*) Term: **14 Years**

(21) Appl. No.: **29/349,259**

(22) Filed: **Mar. 22, 2010**

(51) **LOC (9) Cl.** ..... **03-01**

(52) **U.S. Cl.** ..... **D3/274; D3/294**

(58) **Field of Classification Search** ..... D3/201,  
D3/269, 270, 271.1, 273, 274, 276, 283, 284,  
D3/292, 294, 295, 298, 318, 321, 323, 901,  
D3/905; D8/21, 82, 83, 94, 106, 107, 302;  
D9/415; 190/102; 206/349, 373, 376; 220/675  
See application file for complete search history.

(56) **References Cited**

**U.S. PATENT DOCUMENTS**

2,653,638	A *	9/1953	Nelson	.....	30/120.2
D293,739	S *	1/1988	Nadeau	.....	D3/282
D351,503	S *	10/1994	Bach	.....	D3/273
D356,239	S *	3/1995	Lin	.....	D8/82
D362,546	S *	9/1995	Mundorf et al.	.....	D3/276
D369,023	S *	4/1996	Cheng	.....	D3/271.12
D377,444	S *	1/1997	Lin	.....	D8/107
D414,586	S *	9/1999	Yuen	.....	D32/38
D427,436	S *	7/2000	Chan	.....	D3/292
D434,562	S *	12/2000	Huang	.....	D3/282
D451,014	S *	11/2001	Otto	.....	D9/415
D454,045	S *	3/2002	Rinner et al.	.....	D8/107
D482,965	S *	12/2003	Spiegel	.....	D9/415
6,789,670	B2 *	9/2004	Cooper et al.	.....	206/349
D528,797	S *	9/2006	Singh et al.	.....	D3/315
7,131,535	B2 *	11/2006	Hernandez et al.	.....	206/349

D561,995	S *	2/2008	Poole	.....	D3/294
D610,433	S *	2/2010	Garcia et al.	.....	D8/107
D614,930	S *	5/2010	Garcia et al.	.....	D8/83
D617,556	S *	6/2010	Molina et al.	.....	D3/282
D617,617	S *	6/2010	Garcia et al.	.....	D8/22
2005/0161357	A1 *	7/2005	Allan et al.	.....	206/373
2006/0260964	A1 *	11/2006	Feldmann et al.	.....	206/373

\* cited by examiner

*Primary Examiner*—Elizabeth A Albert

*Assistant Examiner*—Karen E Eldridge Powers

(74) *Attorney, Agent, or Firm*—Dan M. DeLa Rosa

(57) **CLAIM**

The ornamental design for a tool case and T tool handle, as shown and described.

**DESCRIPTION**

FIG. 1 is a front perspective view of the tool case and T tool handle of the present invention in a closed position showing my new design;

FIG. 2 is a rear perspective view of the tool case and T tool handle of the present invention in a closed position;

FIG. 3 is a front side elevational view thereof;

FIG. 4 is a back side elevational view thereof;

FIG. 5 is a side elevational view thereof;

FIG. 6 is another side elevational view thereof;

FIG. 7 is a top plan view thereof;

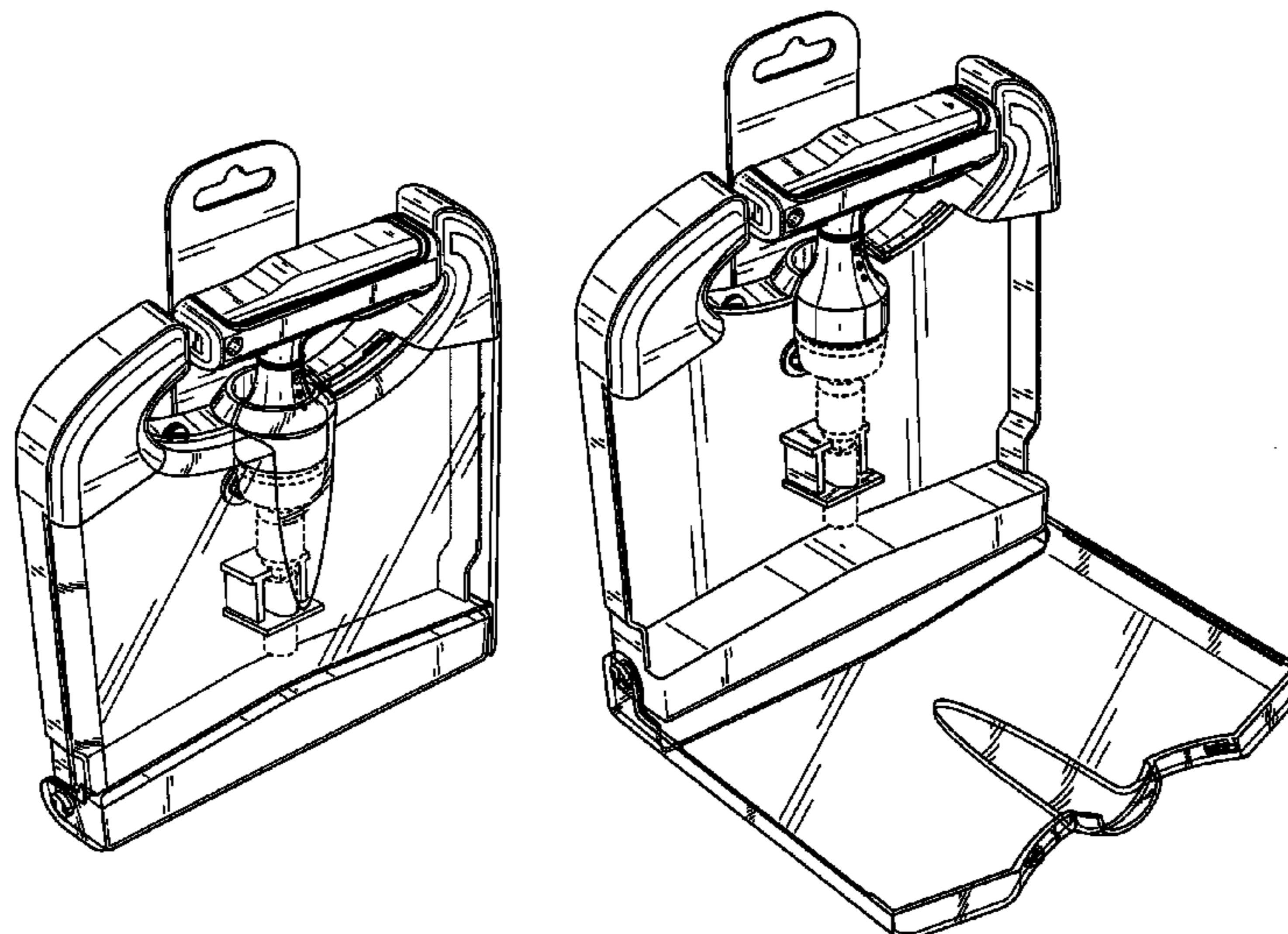
FIG. 8 is a bottom plan view thereof;

FIG. 9 is a front perspective view of the tool case and T tool handle of the present invention in an opened position; and,

FIG. 10 is a rear perspective view of the tool case and T tool handle of the present invention in an opened position.

The broken lines shown in the drawings illustrate portions of the article to which the design is applied that form no part of the claim.

**1 Claim, 8 Drawing Sheets**



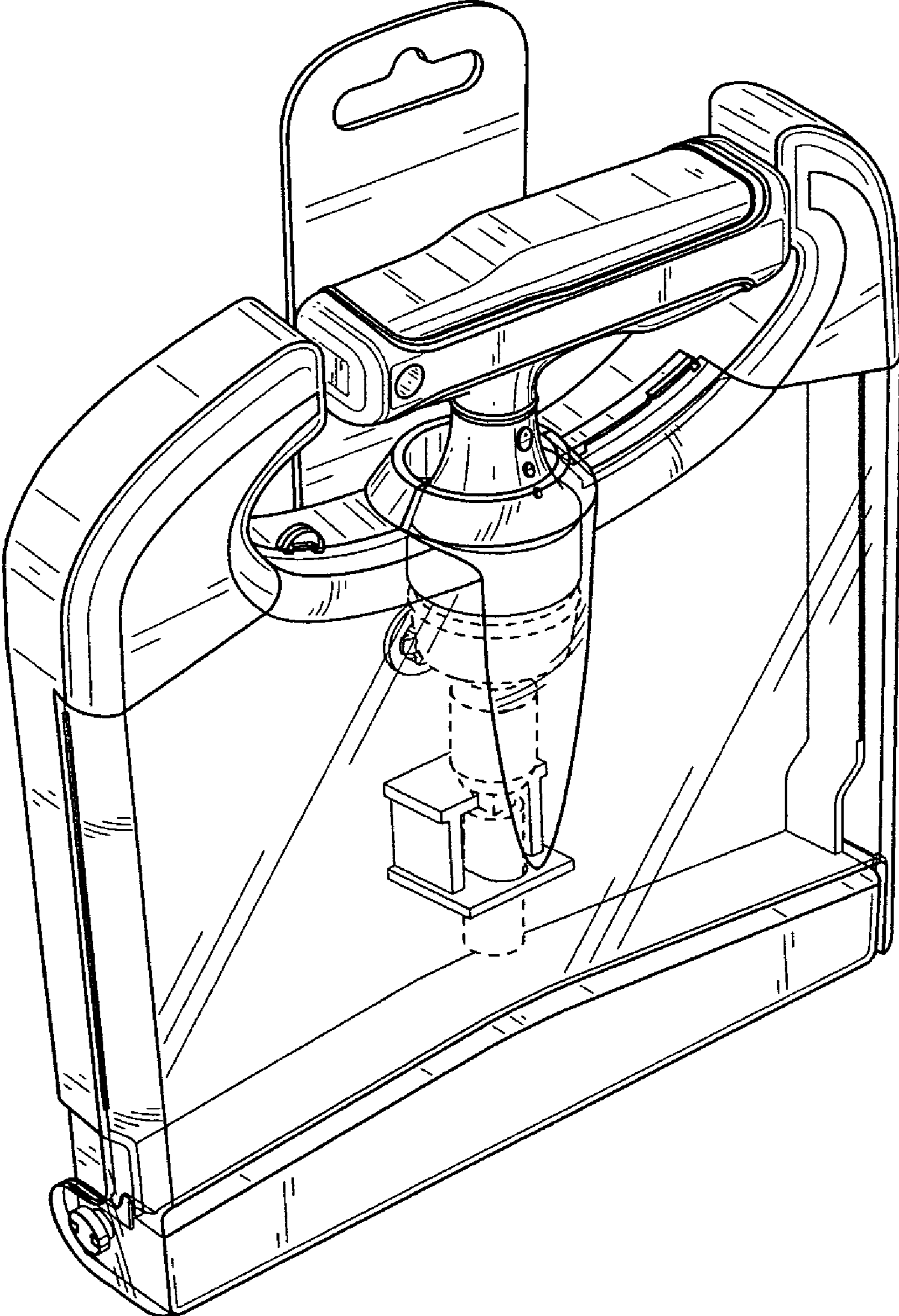


FIG. 1

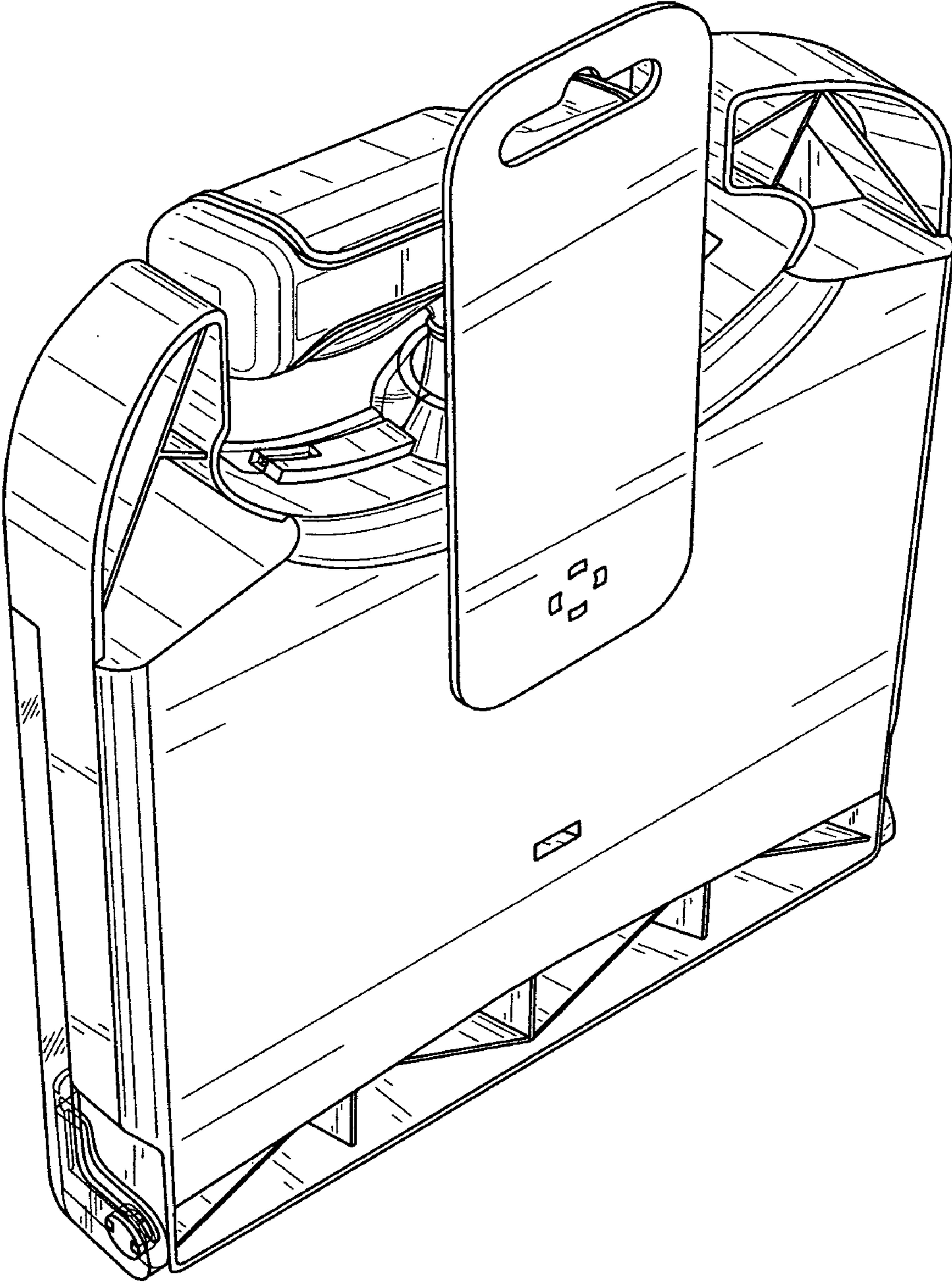


FIG. 2

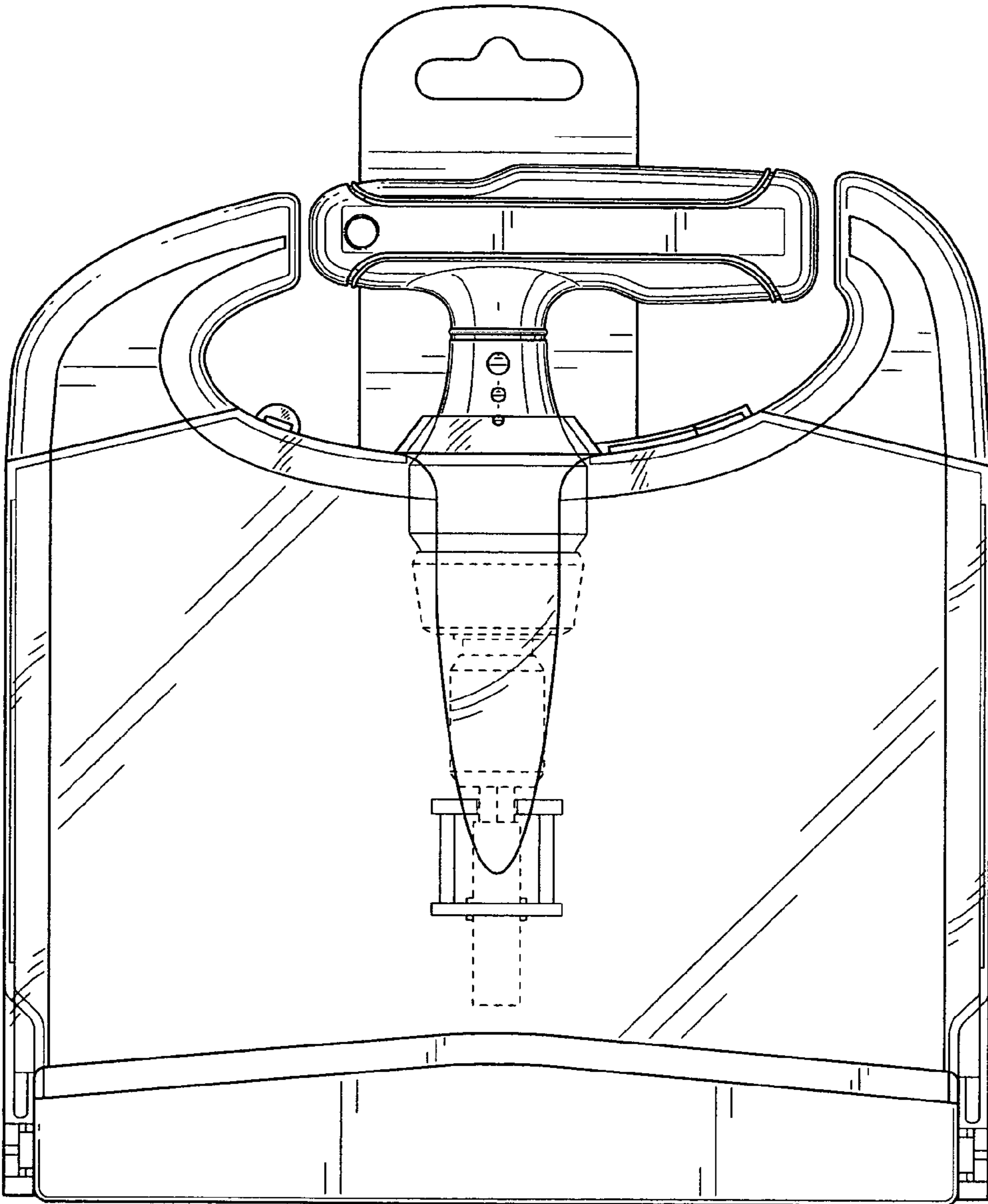


FIG. 3

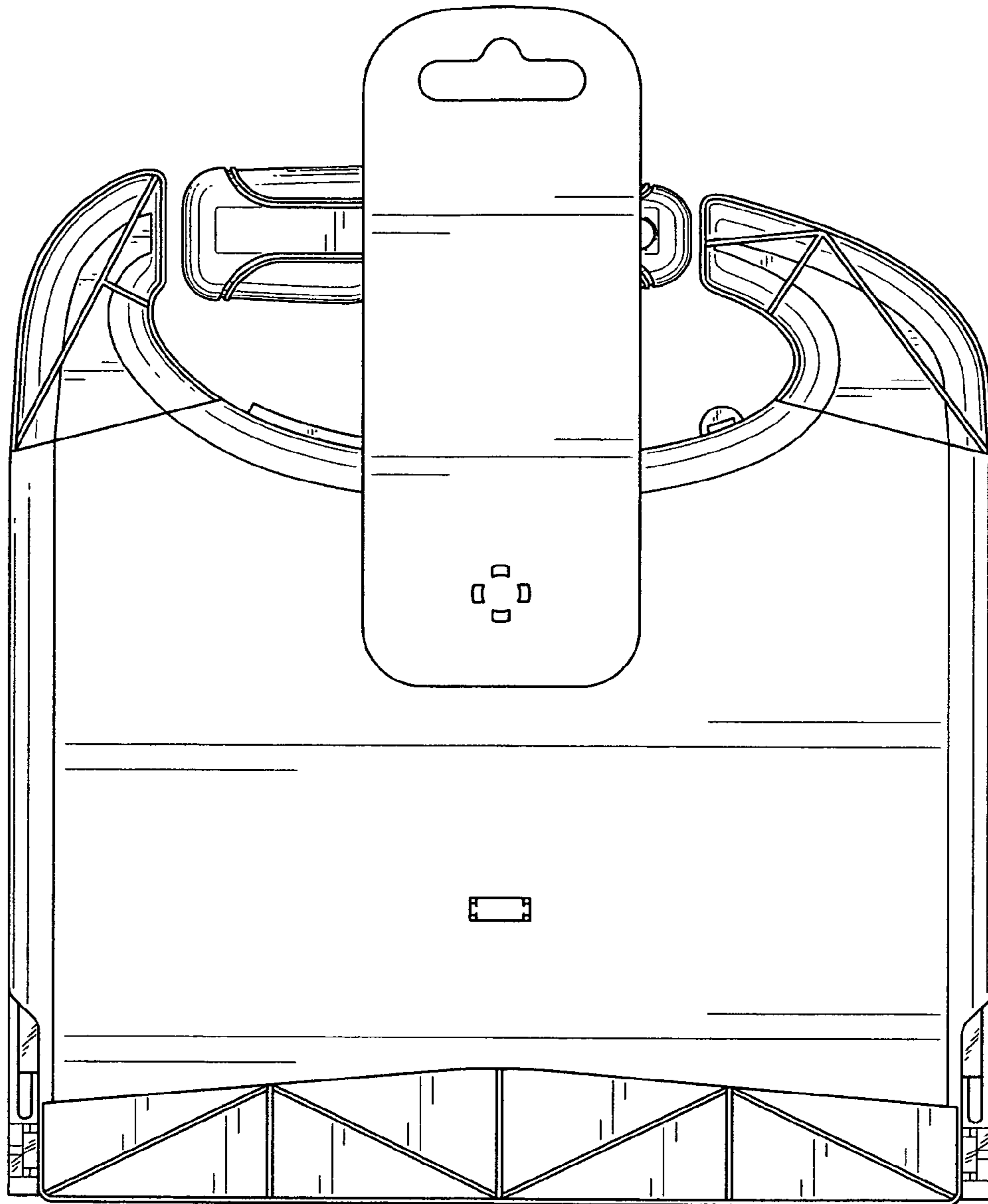


FIG. 4

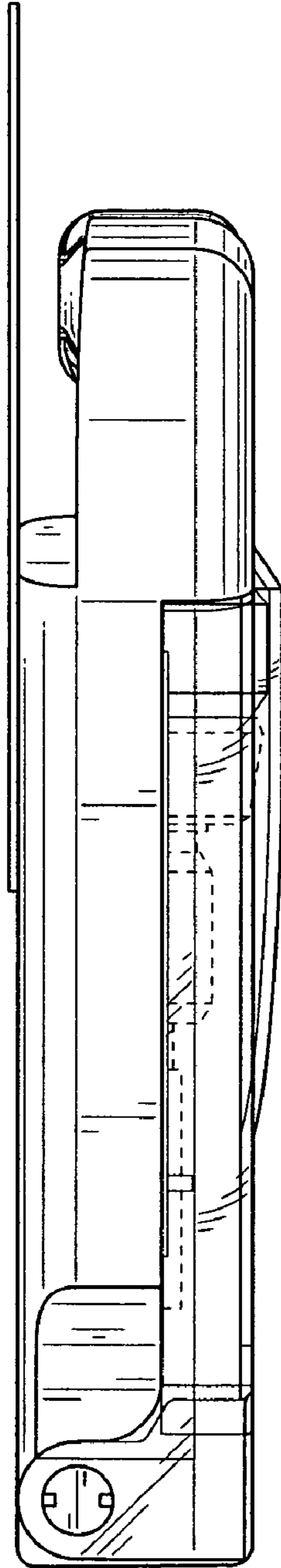


FIG. 5

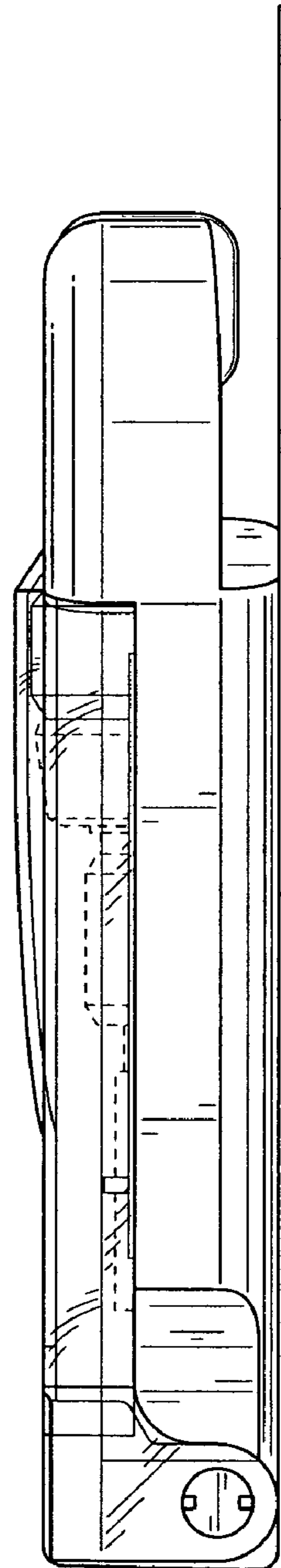


FIG. 6

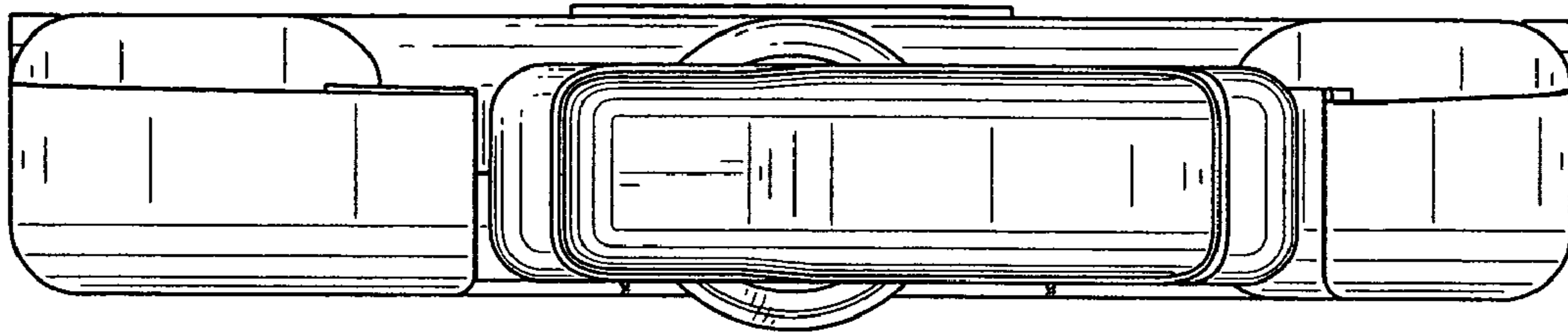


FIG. 7

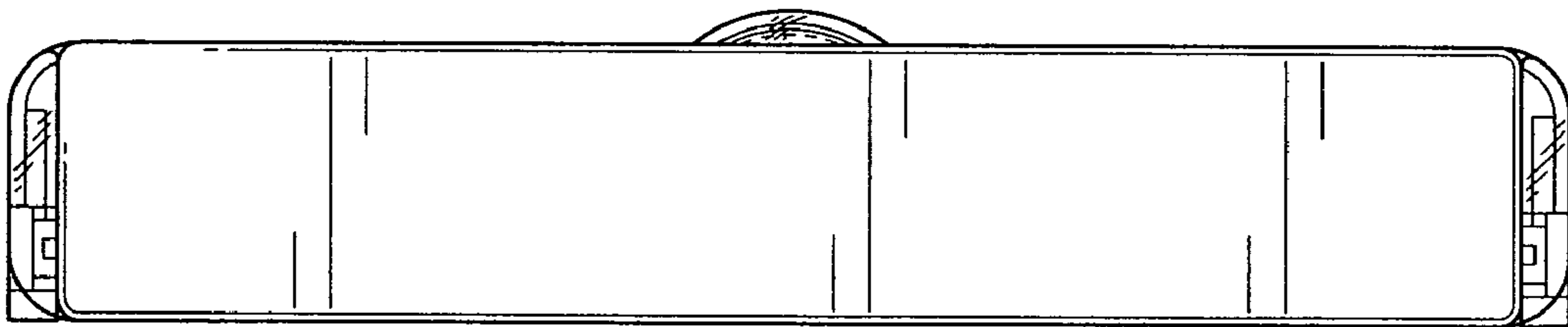


FIG. 8

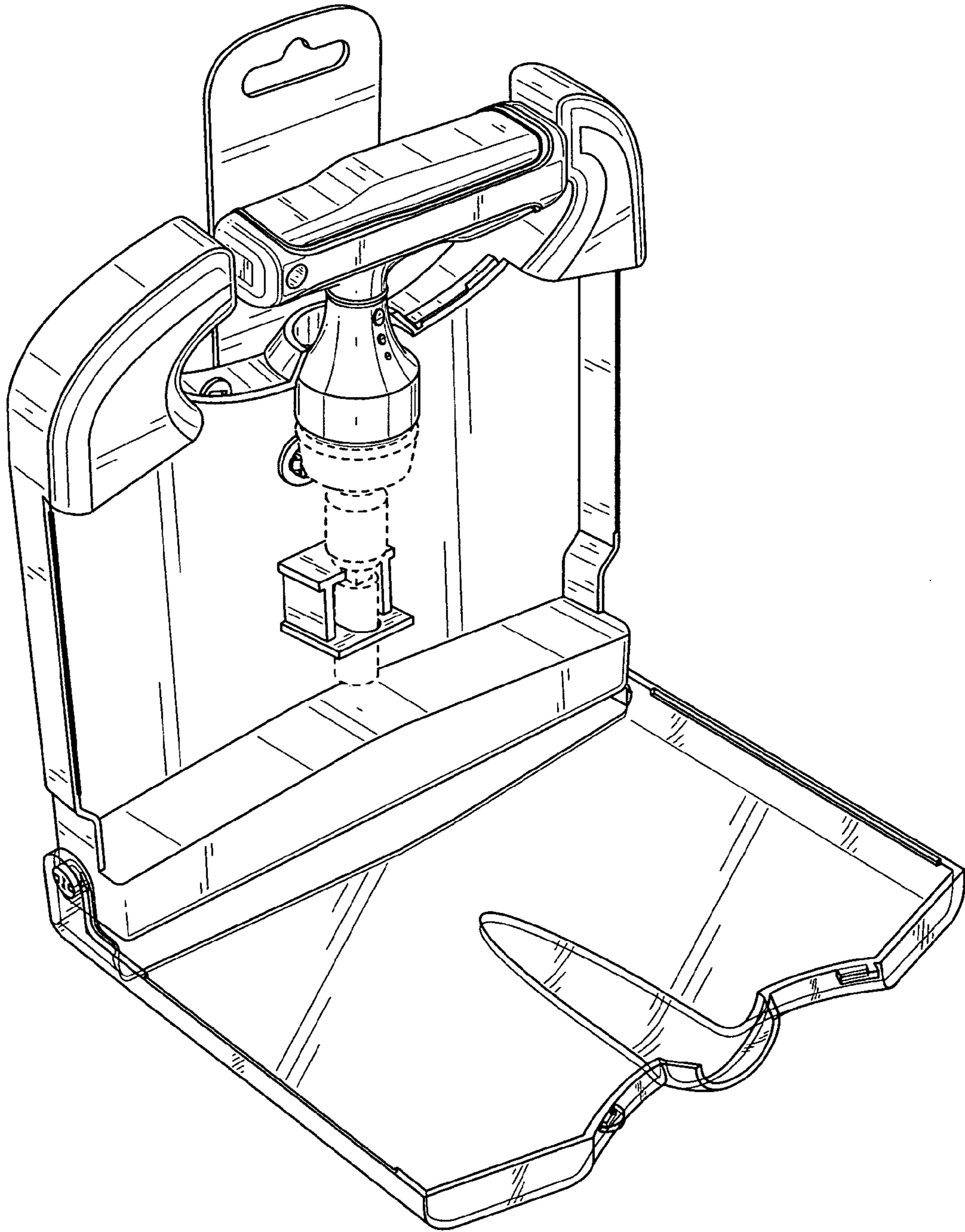


FIG. 9



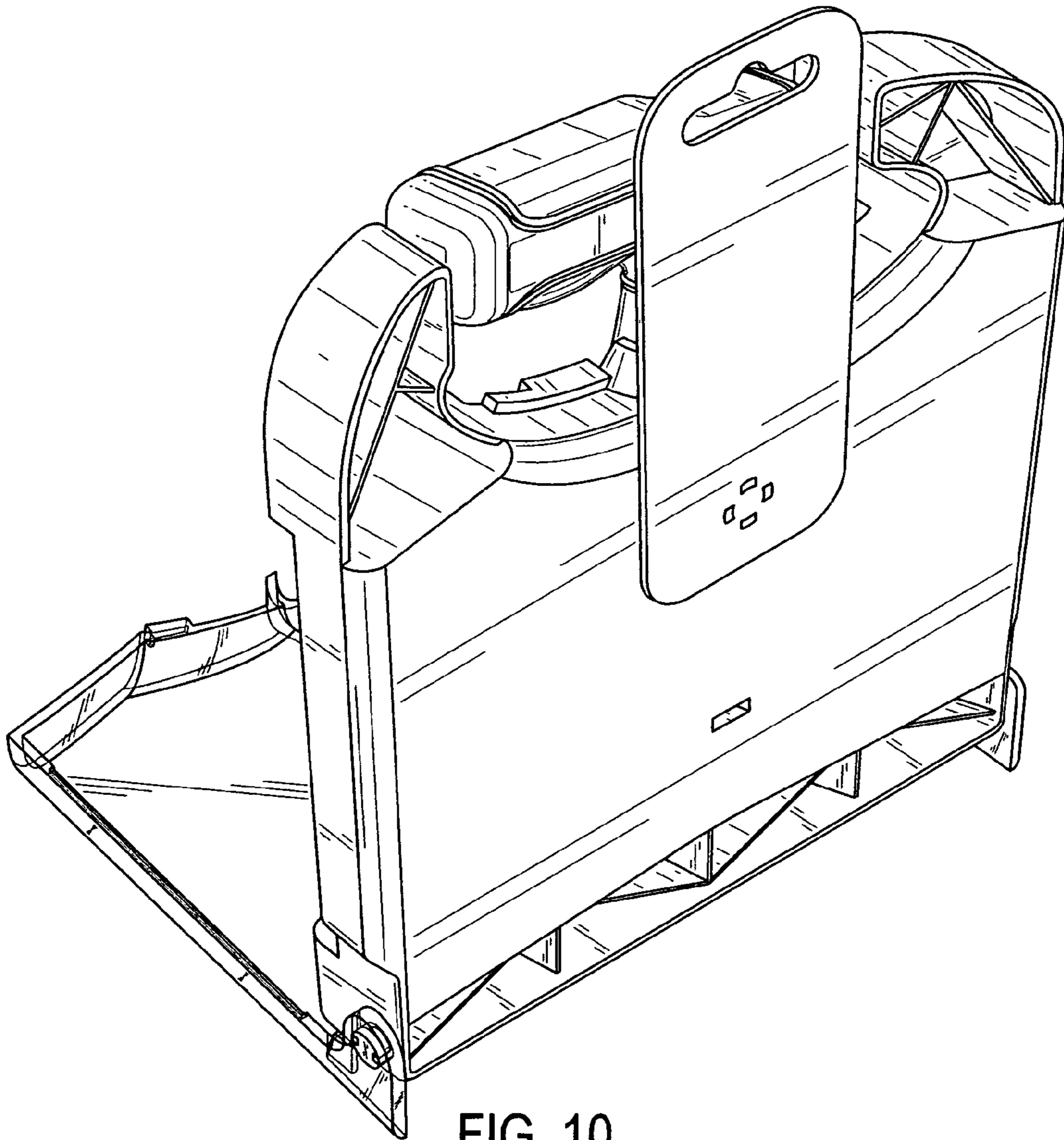


FIG. 10