



US00D622043S

(12) **United States Design Patent**
Hauglin

(10) **Patent No.:** **US D622,043 S**

(45) **Date of Patent:** **** Aug. 24, 2010**

(54) **SOLE FOR A CROSS COUNTRY SKI BOOT**

(75) Inventor: **Bernt-Otto Hauglin**, Royken (NO)

(73) Assignee: **Rottfella AS** (NO)

(**) Term: **14 Years**

(21) Appl. No.: **29/317,281**

(22) Filed: **Apr. 25, 2008**

(30) **Foreign Application Priority Data**

Oct. 26, 2007 (EM) 000815261

(51) **LOC (9) Cl.** **02-04**

(52) **U.S. Cl.** **D2/957; D2/951; D2/953;**
D2/960

(58) **Field of Classification Search** D2/902,
D2/947, 951, 952, 953, 954, 956, 957, 959,
D2/960; 36/3 B, 22 R, 24.5, 25 R, 32 R,
36/59 C; D5/6, 37, 45, 66

See application file for complete search history.

(56) **References Cited**

U.S. PATENT DOCUMENTS

D108,623 S *	3/1938	Kavenagh	D2/956
D281,460 S *	11/1985	Parker	D2/957
D301,936 S *	7/1989	Swett	D2/956
D305,278 S *	1/1990	Kiyosawa	D2/954
D321,975 S *	12/1991	Arnulf et al.	D2/957
D325,466 S *	4/1992	Rullier et al.	D2/953
D340,130 S *	10/1993	Blissett	D2/959
D343,048 S *	1/1994	Hauglin	D2/957
D345,454 S *	3/1994	Hauglin	D2/957
D363,371 S *	10/1995	Werman	D2/957
D388,314 S *	12/1997	Tresser	D2/954
D395,340 S *	6/1998	Tresser	D2/957
D400,696 S *	11/1998	Covatch	D2/954

D414,595 S *	10/1999	Donnadieu et al.	D2/960
D417,946 S *	12/1999	Turner	D2/960
D422,128 S *	4/2000	Adler	D2/907
D433,790 S *	11/2000	Oliver	D2/957
D435,333 S *	12/2000	Robbins et al.	D2/957
D440,748 S *	4/2001	Morgan	D2/957
D468,082 S *	1/2003	Brown	D2/955
D476,142 S *	6/2003	Matis	D2/960
D488,294 S *	4/2004	Lancon	D2/957
D520,220 S *	5/2006	Morgan et al.	D2/957
D531,394 S *	11/2006	Bonnemere	D2/957
D538,519 S *	3/2007	McClaskie	D2/957

* cited by examiner

Primary Examiner—Celia A Murphy

(74) *Attorney, Agent, or Firm*—Andrus, Scales, Starke & Sawall, LLP

(57) **CLAIM**

I claim the ornamental design for a sole for a cross country ski boot, as shown and described.

DESCRIPTION

FIG. 1 is a perspective view of a sole of a cross country ski boot showing my new design.

FIG. 2 is a bottom plan view of the sole shown in FIG. 1.

FIG. 3 is a left side view of the sole shown in FIG. 1.

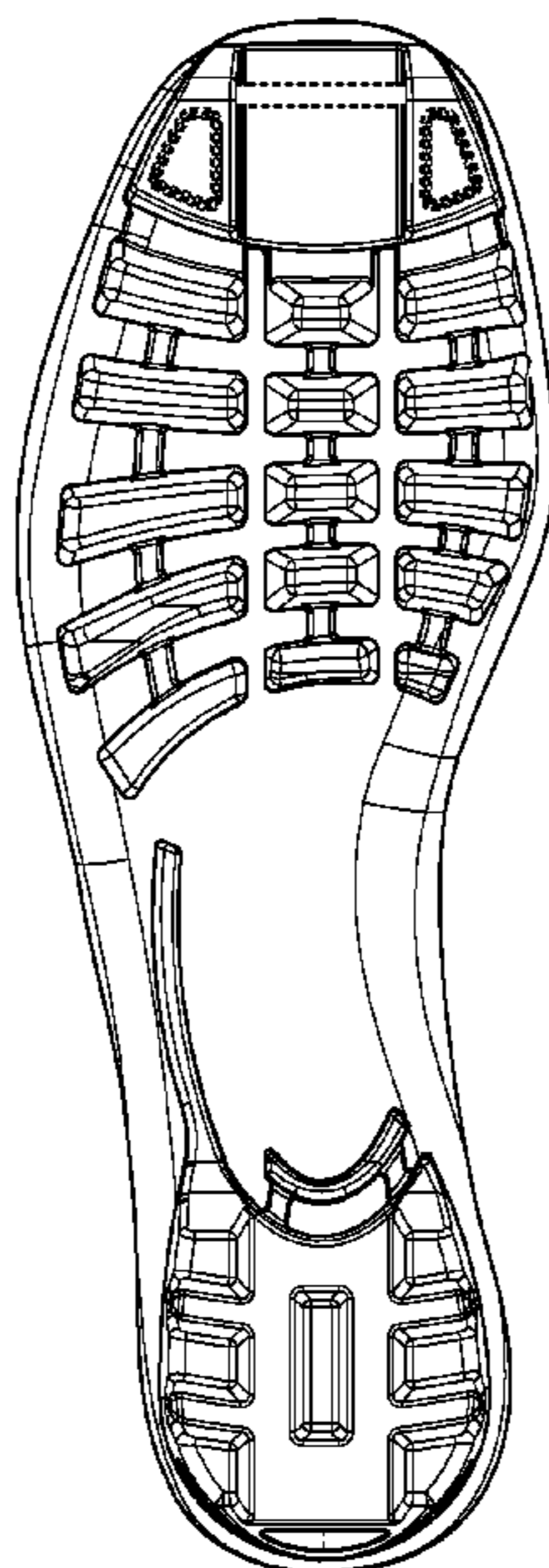
FIG. 4 is a right side view of the sole shown in FIG. 1.

FIG. 5 is a front view of the sole shown in FIG. 1; and,

FIG. 6 is a rear view of the sole shown in FIG. 1.

The broken lines shown on the surface of the toe region in FIG. 1 represent the boundaries of the claimed design. The broken lines, showing the toe bar and heel segment in FIGS. 1, 2, 5 & 6 represent the portions of the design that form no part of the claim.

1 Claim, 2 Drawing Sheets



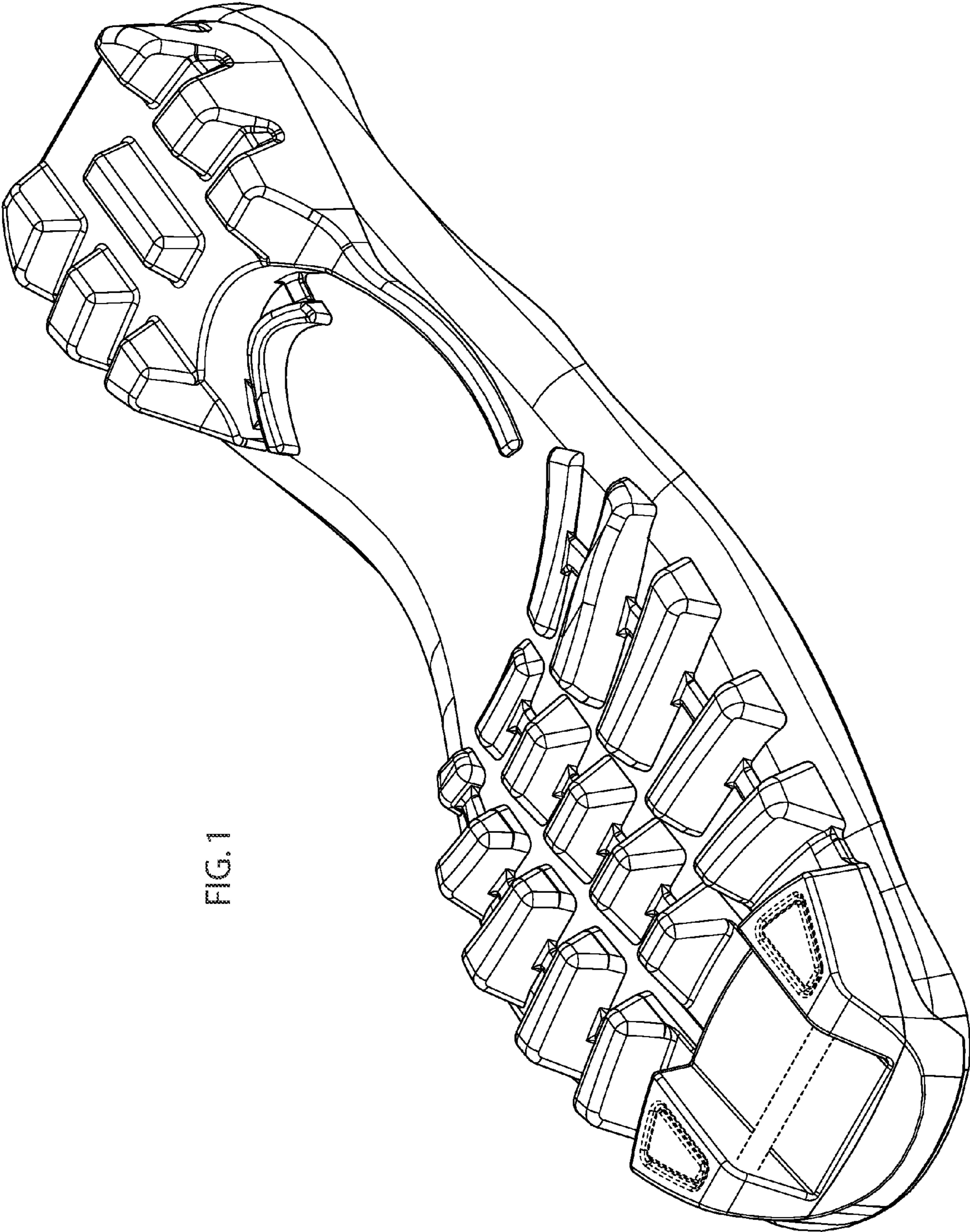


FIG. 1

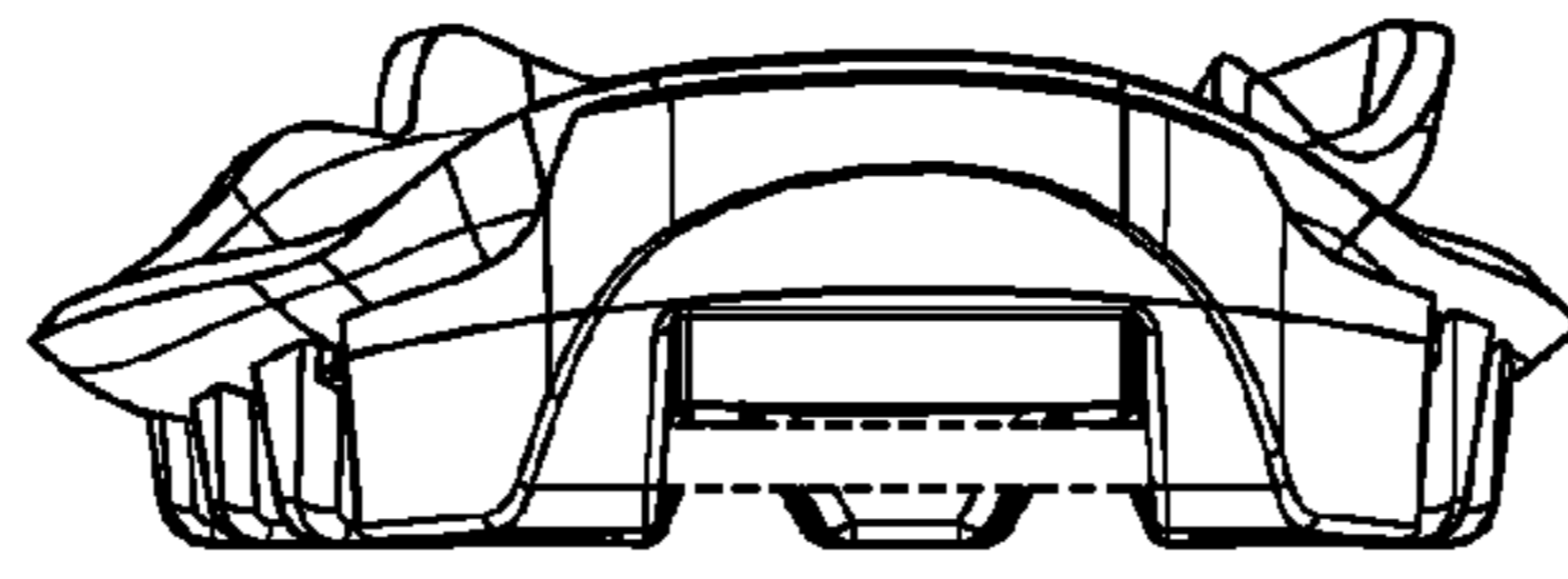


FIG. 5

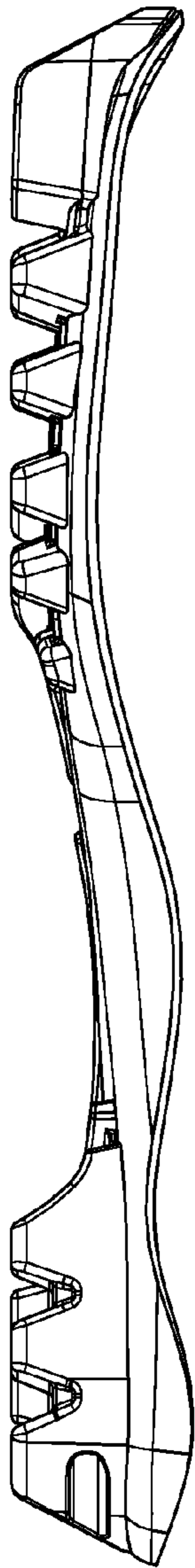


FIG. 4

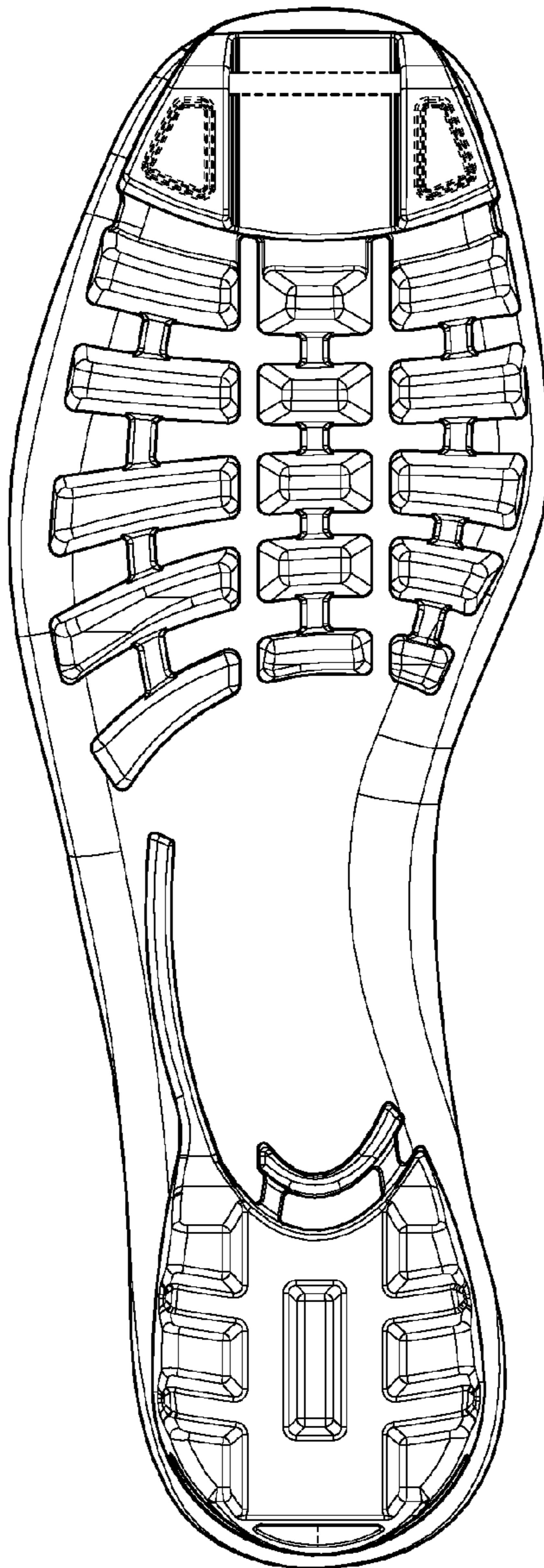


FIG. 2

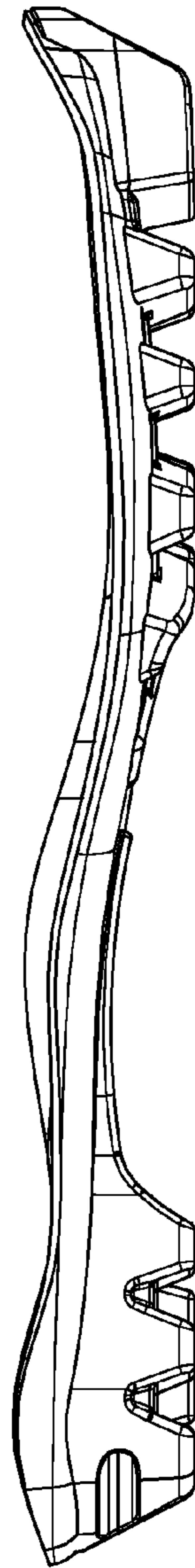


FIG. 3

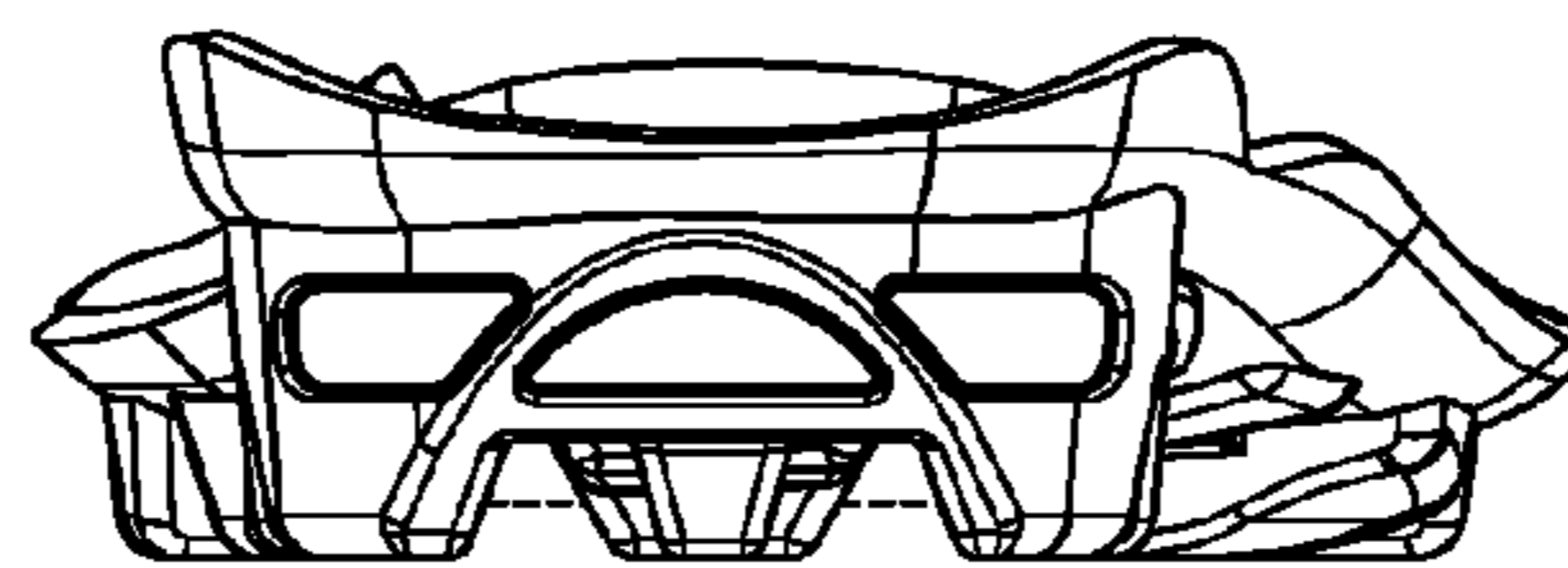


FIG. 6