

US00D622041S

(12) **United States Design Patent**  
**Richard**

(10) **Patent No.:** **US D622,041 S**

(45) **Date of Patent:** **\*\* Aug. 24, 2010**

(54) **FOOTWEAR**

(75) Inventor: **Sylvain Richard**, Gruffy (FR)

(73) Assignee: **Salomon S.A.S.**, Metz-Tessy (FR)

(\*\*) Term: **14 Years**

(21) Appl. No.: **29/323,578**

(22) Filed: **Aug. 27, 2008**

(30) **Foreign Application Priority Data**

Feb. 28, 2008 (EM) ..... 000887153-0001  
Feb. 28, 2008 (EM) ..... 000887153-0002  
Feb. 28, 2008 (EM) ..... 000887153-0003

(51) **LOC (9) Cl.** ..... **02-04**

(52) **U.S. Cl.** ..... **D2/953; D2/951**

(58) **Field of Classification Search** ..... D2/902,  
D2/947, 951, 952, 953, 954, 956, 957, 958,  
D2/959, 960; 36/103, 3 B, 22 R, 25 R, 32 R,  
36/59 C, 67 A; D5/32, 37

See application file for complete search history.

(56) **References Cited**

**U.S. PATENT DOCUMENTS**

2,394,454 A \* 2/1946 Kappeler ..... 36/59 C  
D205,757 S \* 9/1966 Wakeland ..... D2/954  
3,662,478 A \* 5/1972 Schwab ..... 36/59 C  
3,747,237 A \* 7/1973 Wilowski ..... 36/59 C  
D234,014 S \* 12/1974 Traver ..... D2/959  
D244,642 S \* 6/1977 Famolare, Jr. .... D2/957  
D378,239 S \* 3/1997 Bramani ..... D2/953  
D410,966 S \* 6/1999 Cretinon ..... D2/960  
D427,756 S \* 7/2000 Santa ..... D2/955  
D433,790 S \* 11/2000 Oliver ..... D2/957  
D440,748 S \* 4/2001 Morgan ..... D2/957  
D462,160 S \* 9/2002 Kung ..... D2/960

D470,297 S \* 2/2003 Wilson ..... D2/960  
D470,998 S \* 3/2003 Adreliunas et al. .... D2/953  
D471,697 S 3/2003 Laberge  
D476,470 S \* 7/2003 Matis et al. .... D2/960  
D487,840 S \* 3/2004 Hillyer ..... D2/960  
D490,596 S \* 6/2004 Belley et al. .... D2/957  
D495,480 S \* 9/2004 Laberge ..... D2/960  
D504,205 S \* 4/2005 Andrews-Kramer ..... D2/960  
D506,306 S \* 6/2005 Teague ..... D2/960  
D507,397 S \* 7/2005 McClaskie ..... D2/957  
D530,492 S \* 10/2006 McClaskie ..... D2/957  
D531,394 S 11/2006 Bonnemere  
D546,531 S \* 7/2007 Bertholon ..... D2/953  
D552,335 S \* 10/2007 Matis et al. .... D2/957  
D554,840 S \* 11/2007 McClaskie ..... D2/960  
D561,439 S \* 2/2008 Schoenborn et al. .... D2/957  
D566,939 S \* 4/2008 Schoenborn et al. .... D2/957  
D569,595 S \* 5/2008 Le ..... D2/960

\* cited by examiner

*Primary Examiner*—Celia A Murphy

(74) *Attorney, Agent, or Firm*—Greenblum & Bernstein,  
P.L.C.

(57) **CLAIM**

I claim the ornamental design for footwear, as shown and described.

**DESCRIPTION**

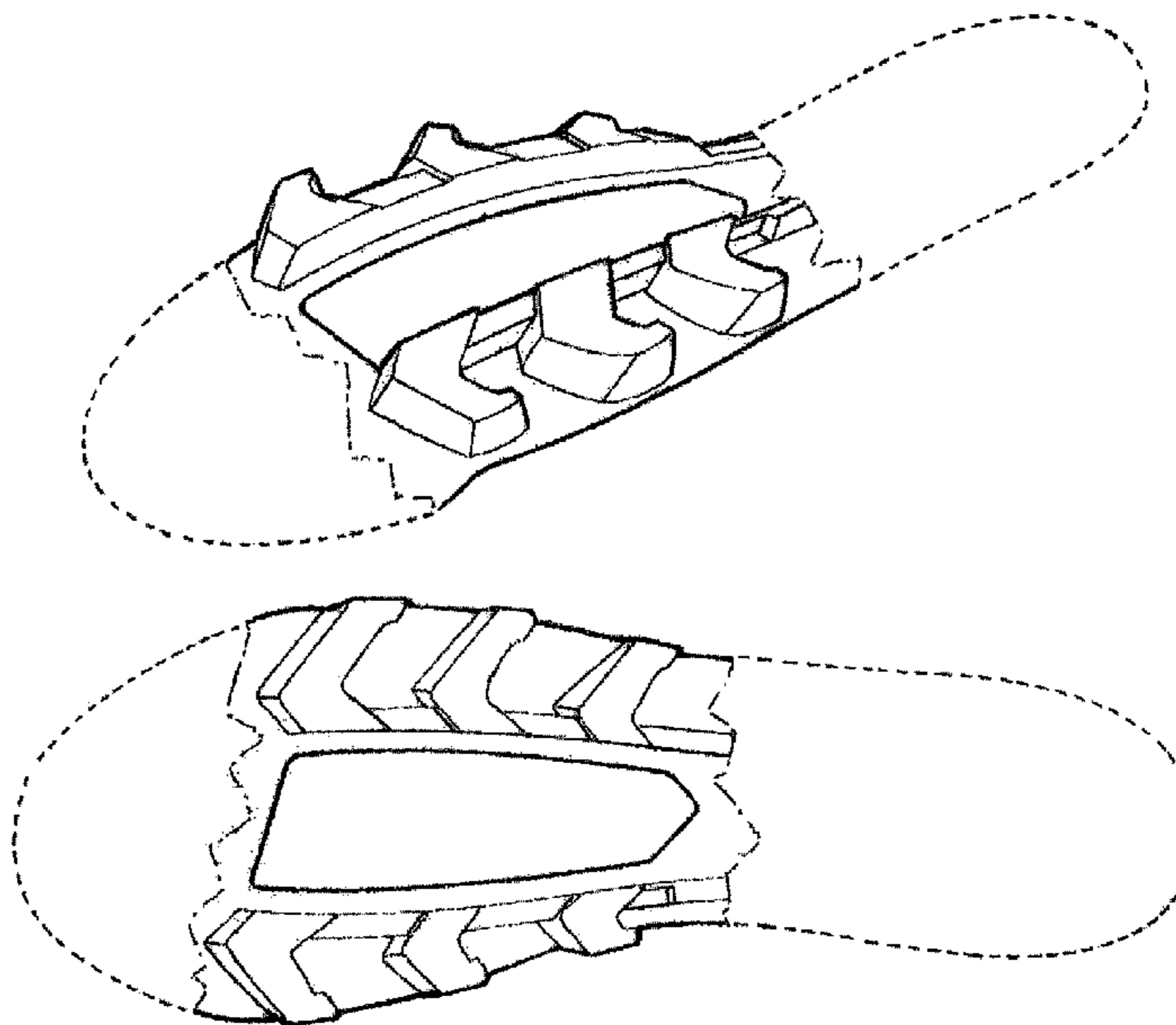
FIG. 1 is a perspective view of an article of footwear, showing a first embodiment of my new design; and,

FIG. 2 is a plan view thereof.

The broken line showing is for illustrative purposes only and forms no part of the claimed design. The jagged broken lines defining a boundary of the claim forms no part of the claim.

Any surface of the article of footwear not shown, including any part of any such surface, is not part of the claimed design.

**1 Claim, 1 Drawing Sheet**



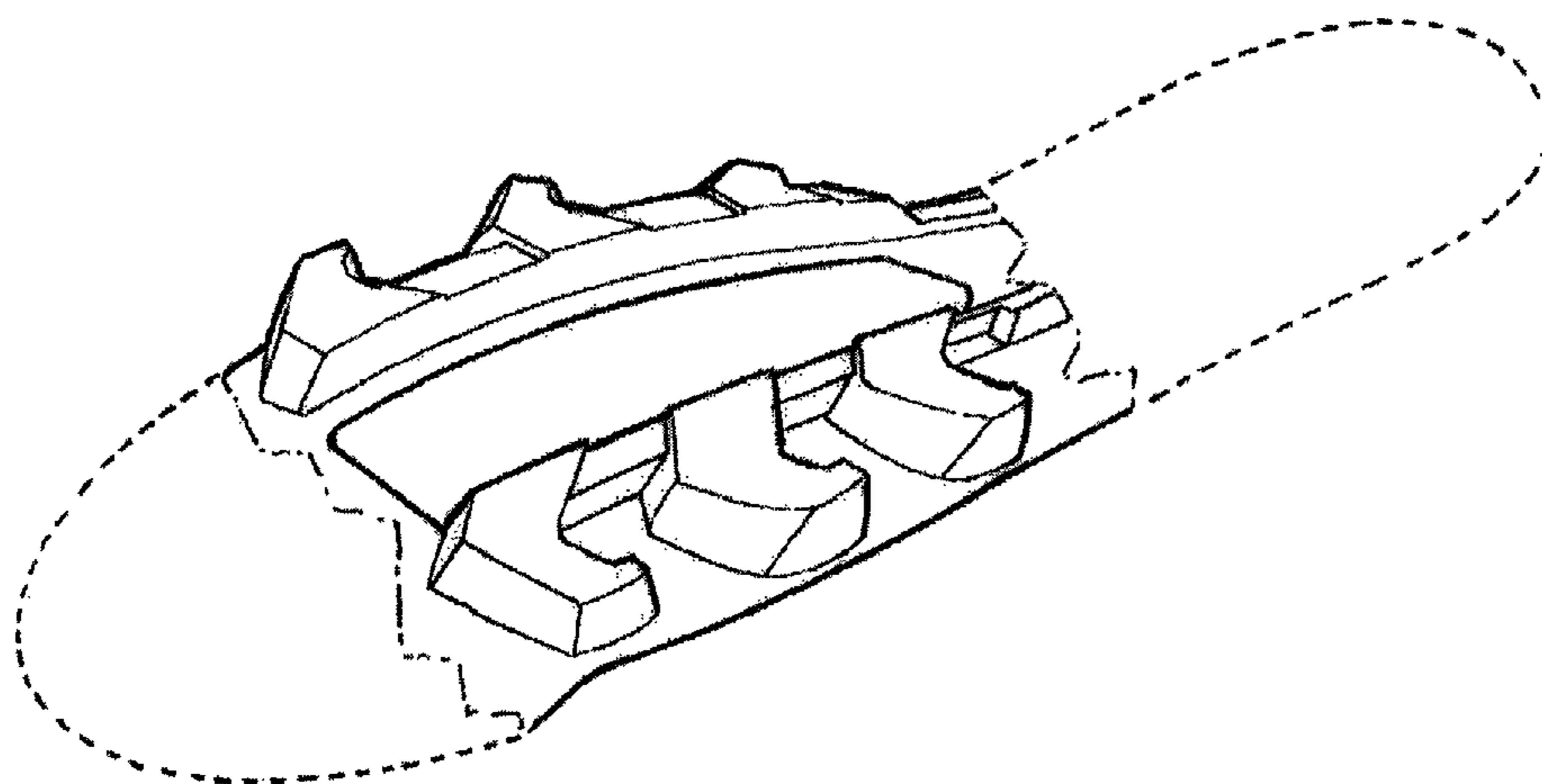


FIG. 1

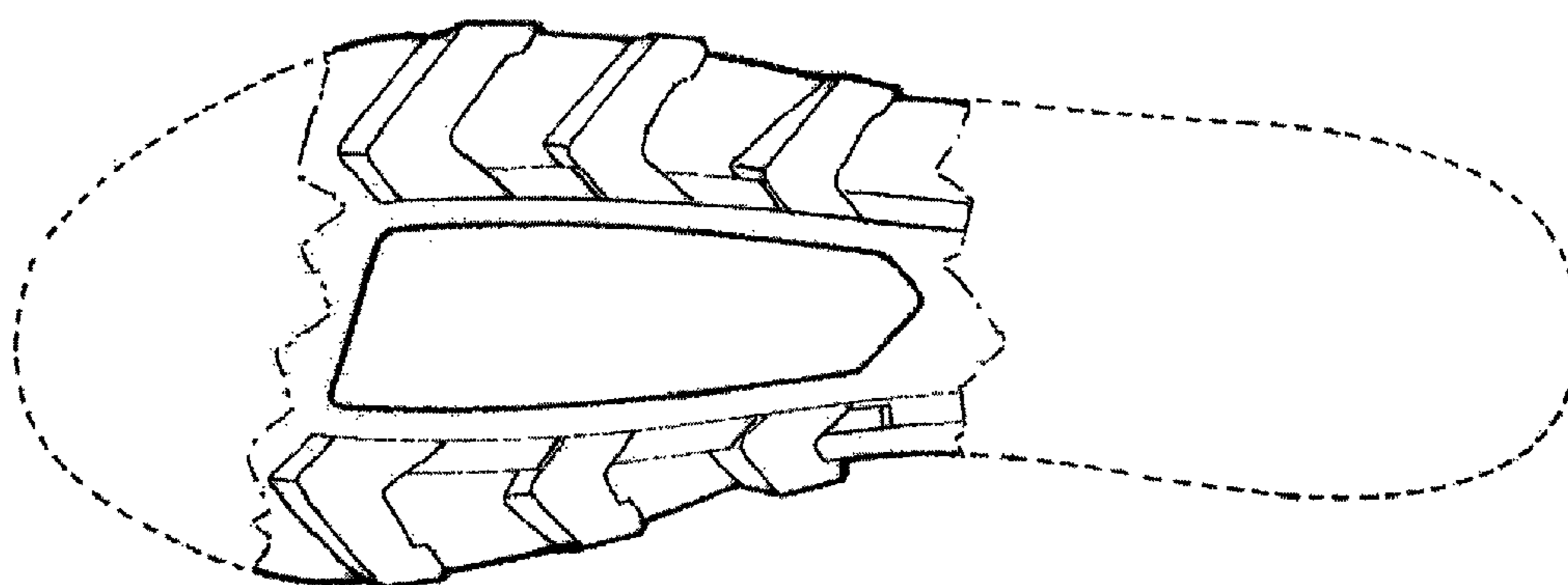


FIG. 2