



US00D622031S

(12) **United States Design Patent**
Wyszynski

(10) **Patent No.:** **US D622,031 S**

(45) **Date of Patent:** **** Aug. 24, 2010**

(54) **BELT**

D495,853 S * 9/2004 Nelson D2/627
D527,166 S * 8/2006 Hoeksema D2/627

(76) Inventor: **Shannon T. Leslin Wyszynski**, 606
Birchwood Ave., Des Plaines, IL (US)
60018

* cited by examiner

Primary Examiner—T. Chase Nelson
Assistant Examiner—Kathleen M Sims
(74) *Attorney, Agent, or Firm*—Justin Lampel

(**) Term: **14 Years**

(21) Appl. No.: **29/341,328**

(57) **CLAIM**

(22) Filed: **Aug. 4, 2009**

The ornamental design for a belt, as shown and described.

(51) **LOC (9) Cl.** **02-07**

(52) **U.S. Cl.** **D2/627**

(58) **Field of Classification Search** D2/624,
D2/627, 629; 2/308, 310–312, 237, 321–322;
D3/215

See application file for complete search history.

DESCRIPTION

FIG. 1 is a front perspective view from an elevated position of the belt;

FIG. 2 is a rear perspective view of the belt from a lower position;

FIG. 3 is a top plan view of the belt;

FIG. 4 is a front elevation of the belt;

FIG. 5 is a bottom view of the belt;

FIG. 6 is a rear elevation of the belt;

FIG. 7 is a right side elevation; and,

FIG. 8 is a left side elevation.

The broken line showing is for illustrative purposes only and forms no part of the claimed design.

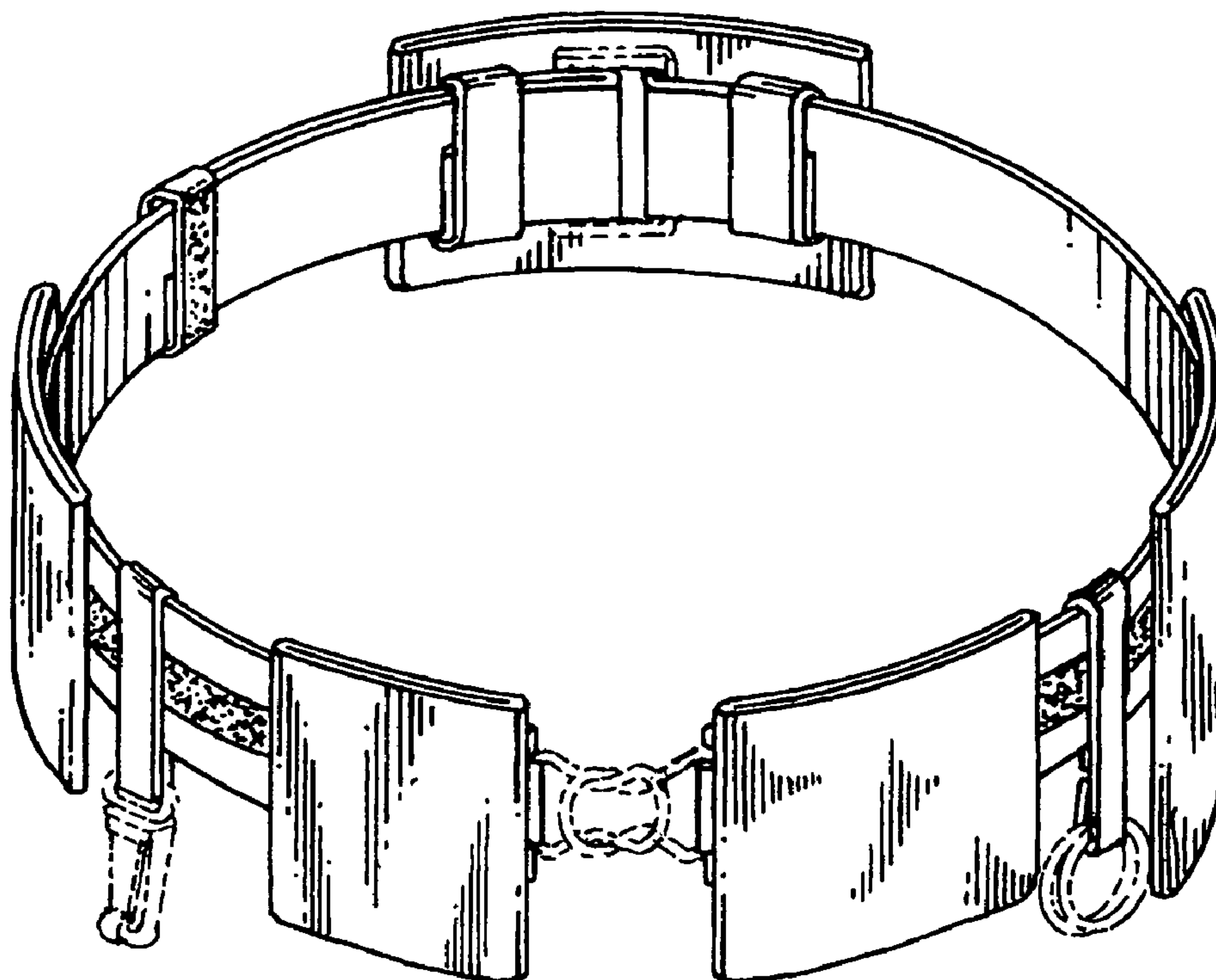
The stippled areas shown in FIGS. 1, 2, 4, 6, 7, and 8 represent a hook and loop texture.

(56) **References Cited**

U.S. PATENT DOCUMENTS

2,661,888	A *	12/1953	Sidlinger	182/3
3,896,499	A *	7/1975	Kelly	2/311
4,413,358	A *	11/1983	Jimenez	2/321
4,726,077	A *	2/1988	Batiste	2/321
5,081,719	A *	1/1992	Donnelly	2/311
D348,565	S *	7/1994	Cummins	D3/215
5,806,087	A *	9/1998	Grotfend	2/1
D408,116	S *	4/1999	Gale	D2/627
D440,761	S *	4/2001	Williams et al.	D3/224
D457,688	S *	5/2002	Cordero	D29/100
6,701,534	B2 *	3/2004	Guibord	2/338

1 Claim, 3 Drawing Sheets



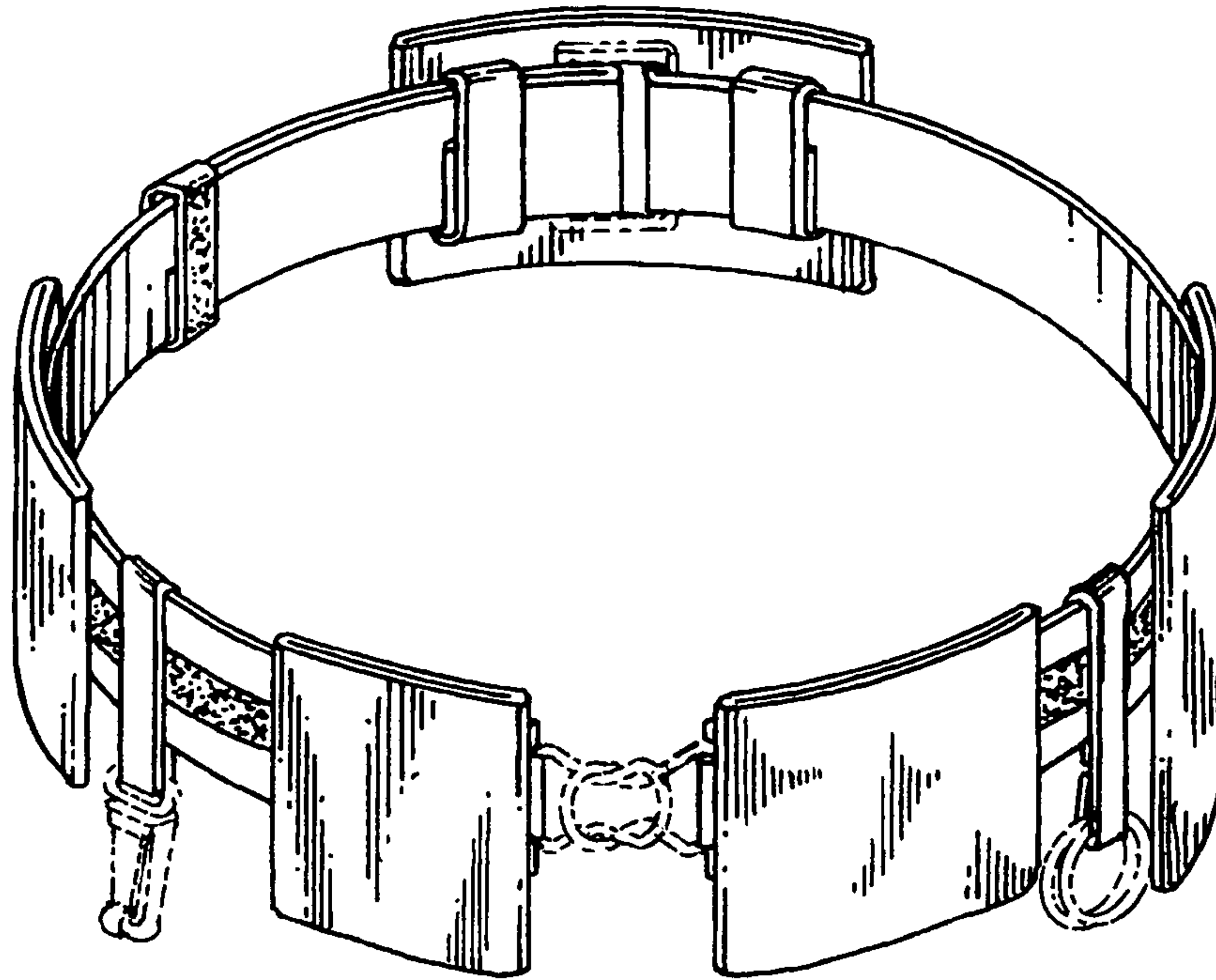
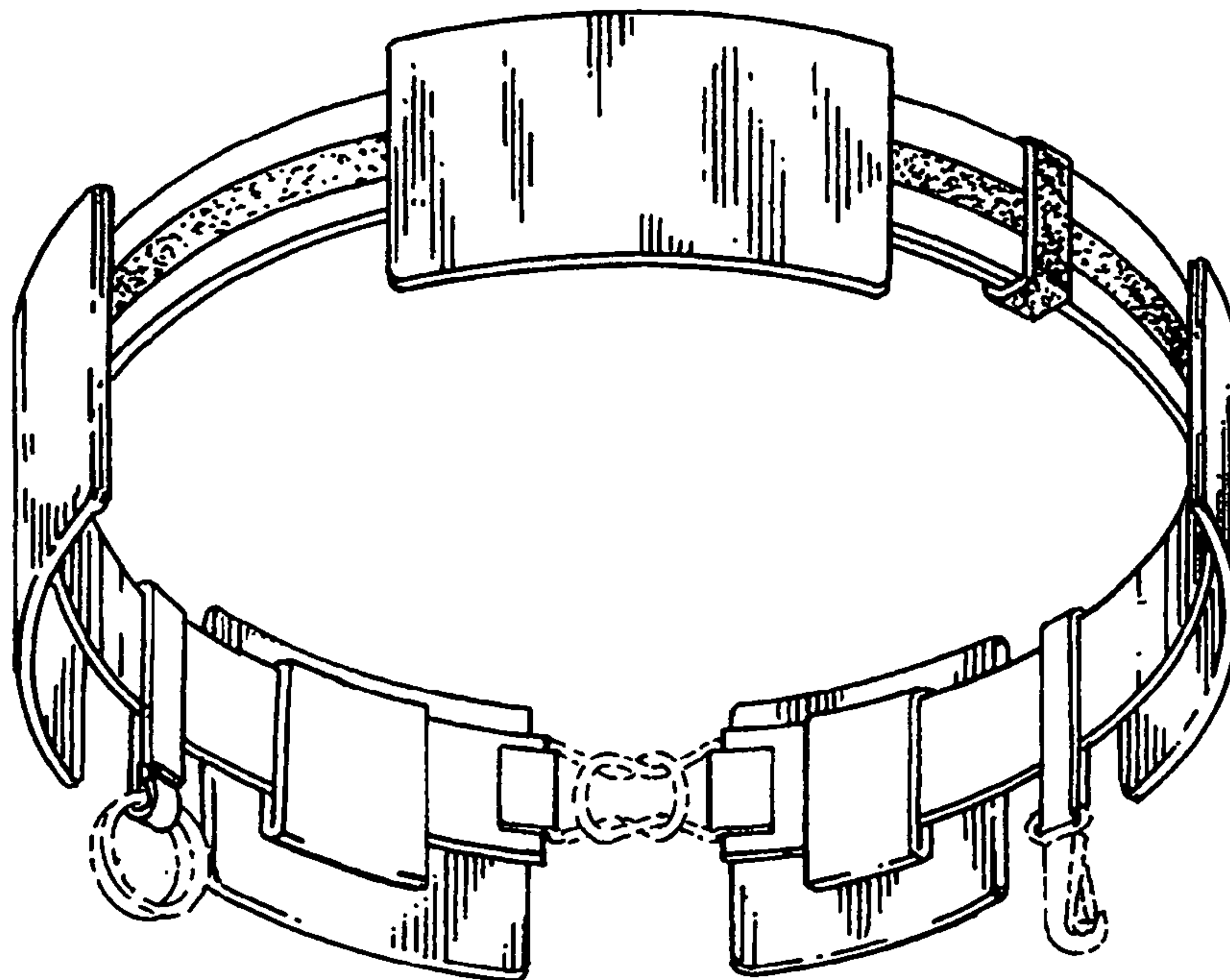


FIG. 1

FIG. 2



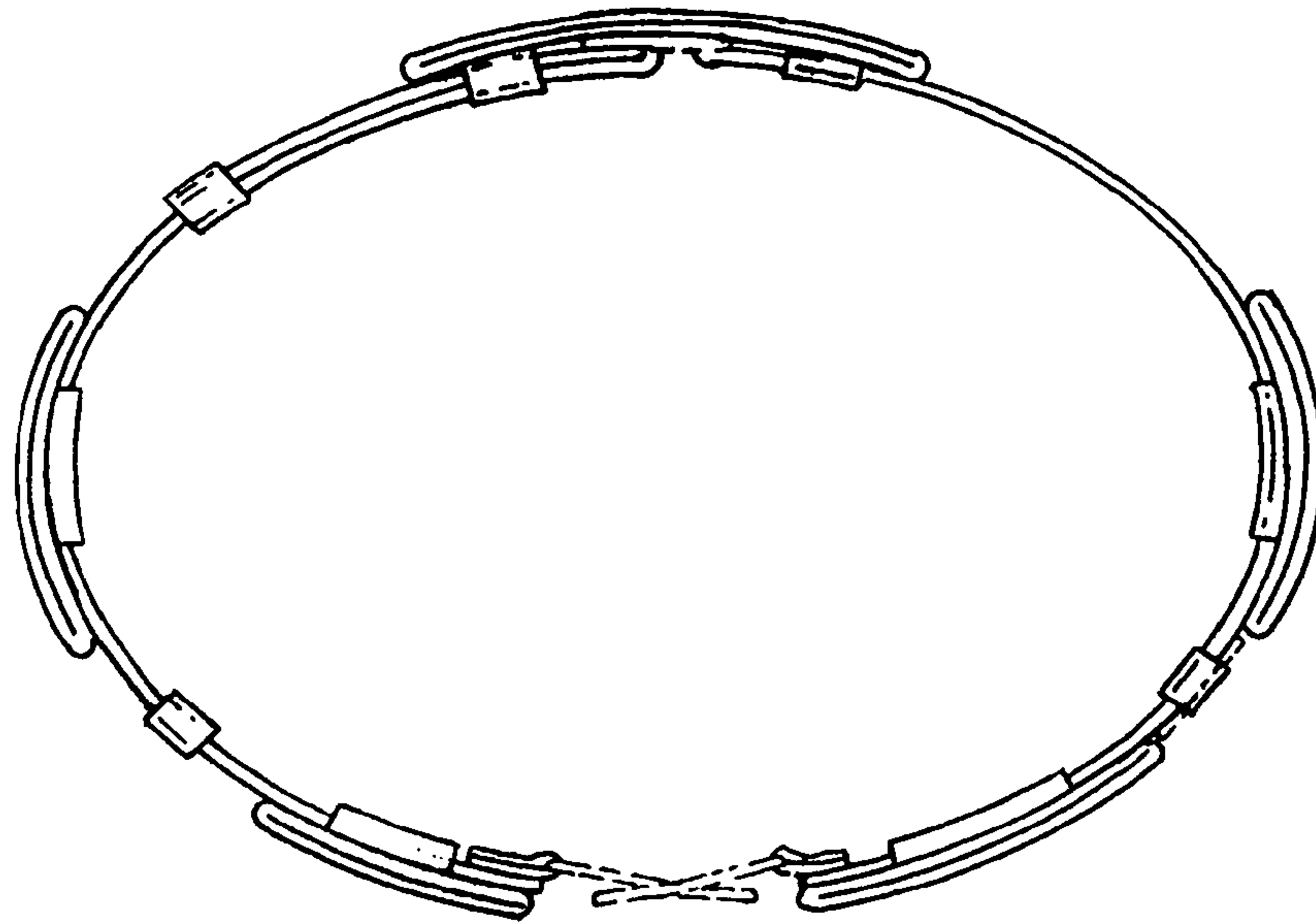


FIG. 3

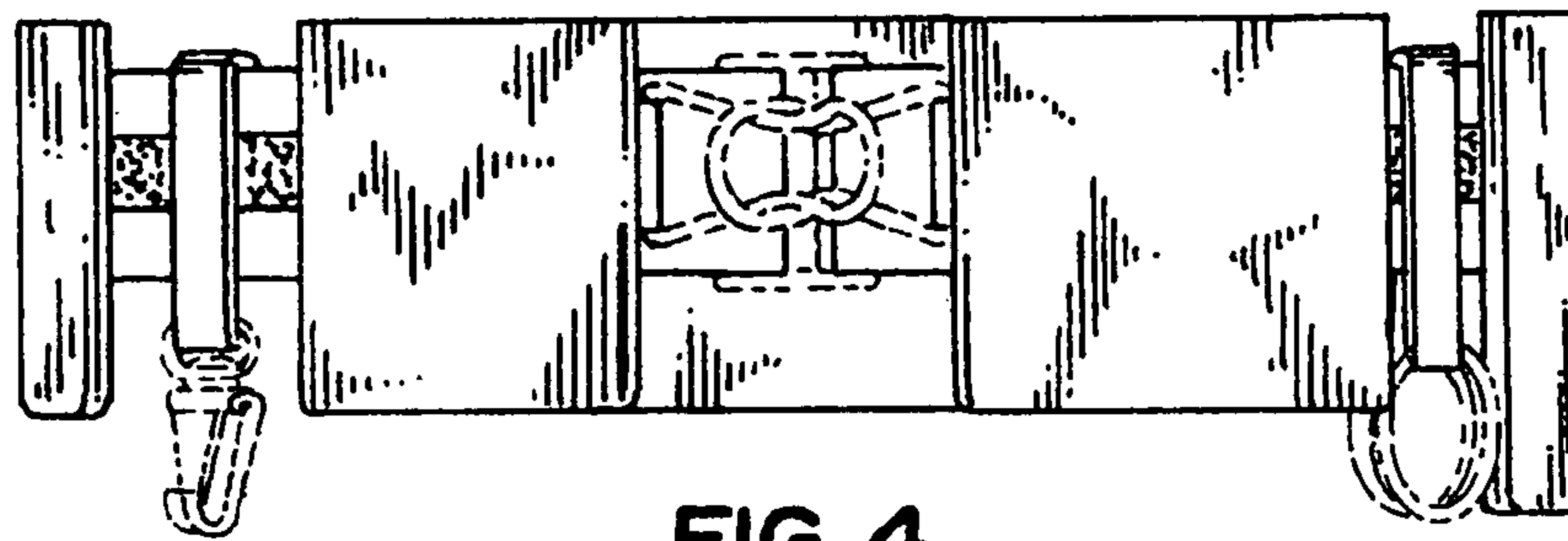


FIG. 4

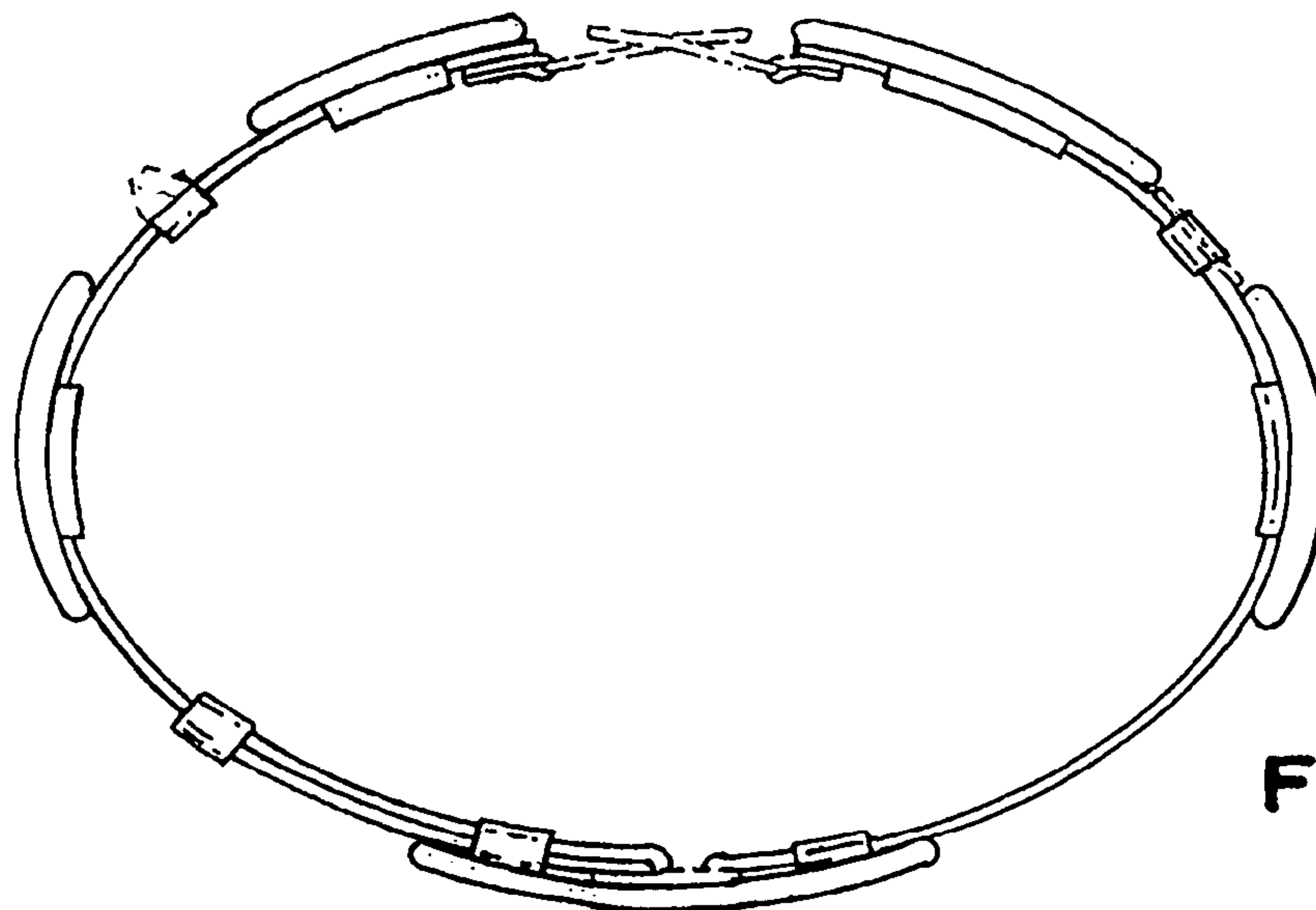


FIG. 5

FIG. 6

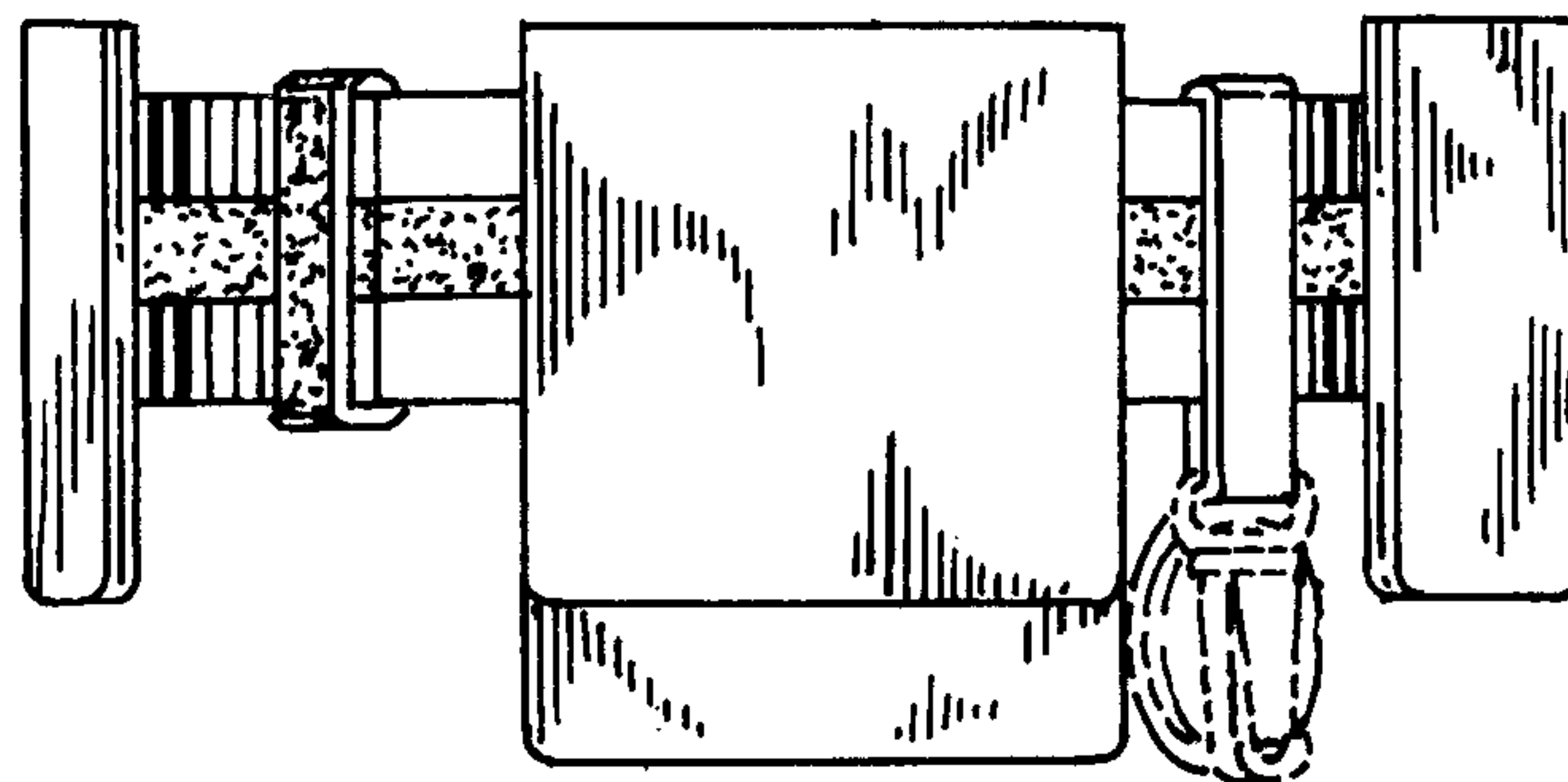
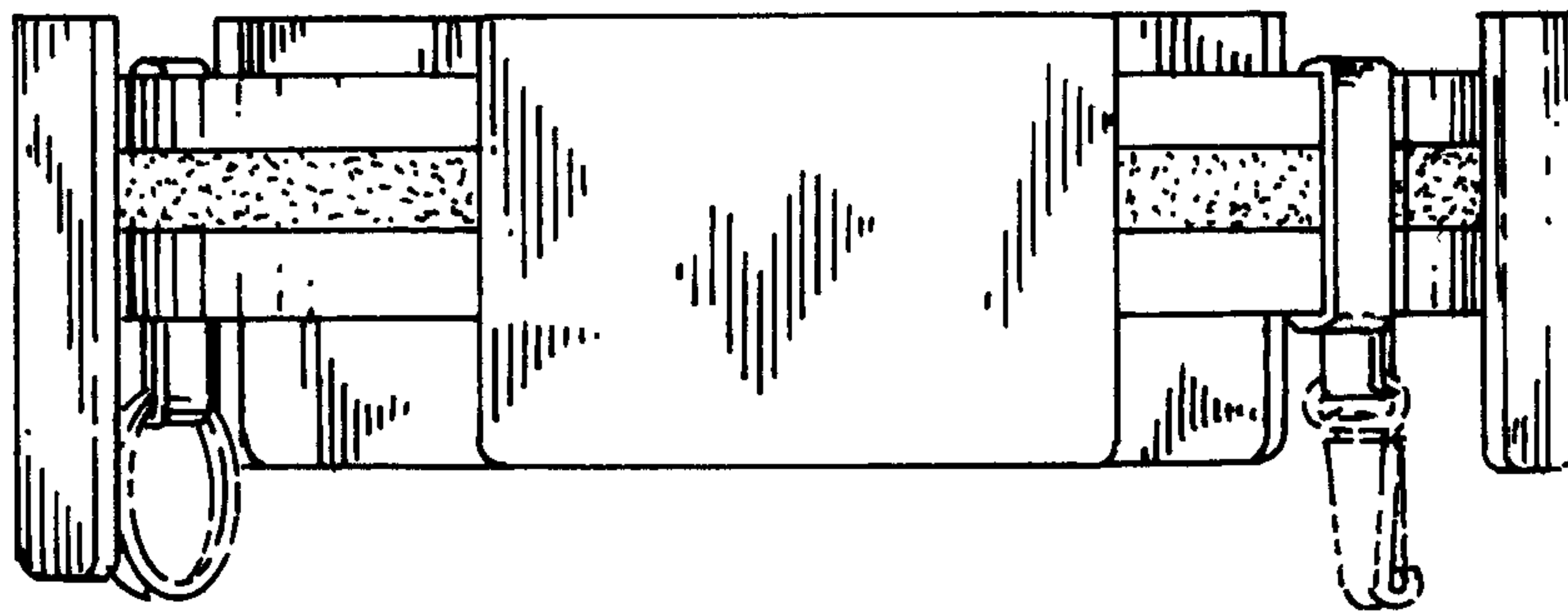


FIG. 7

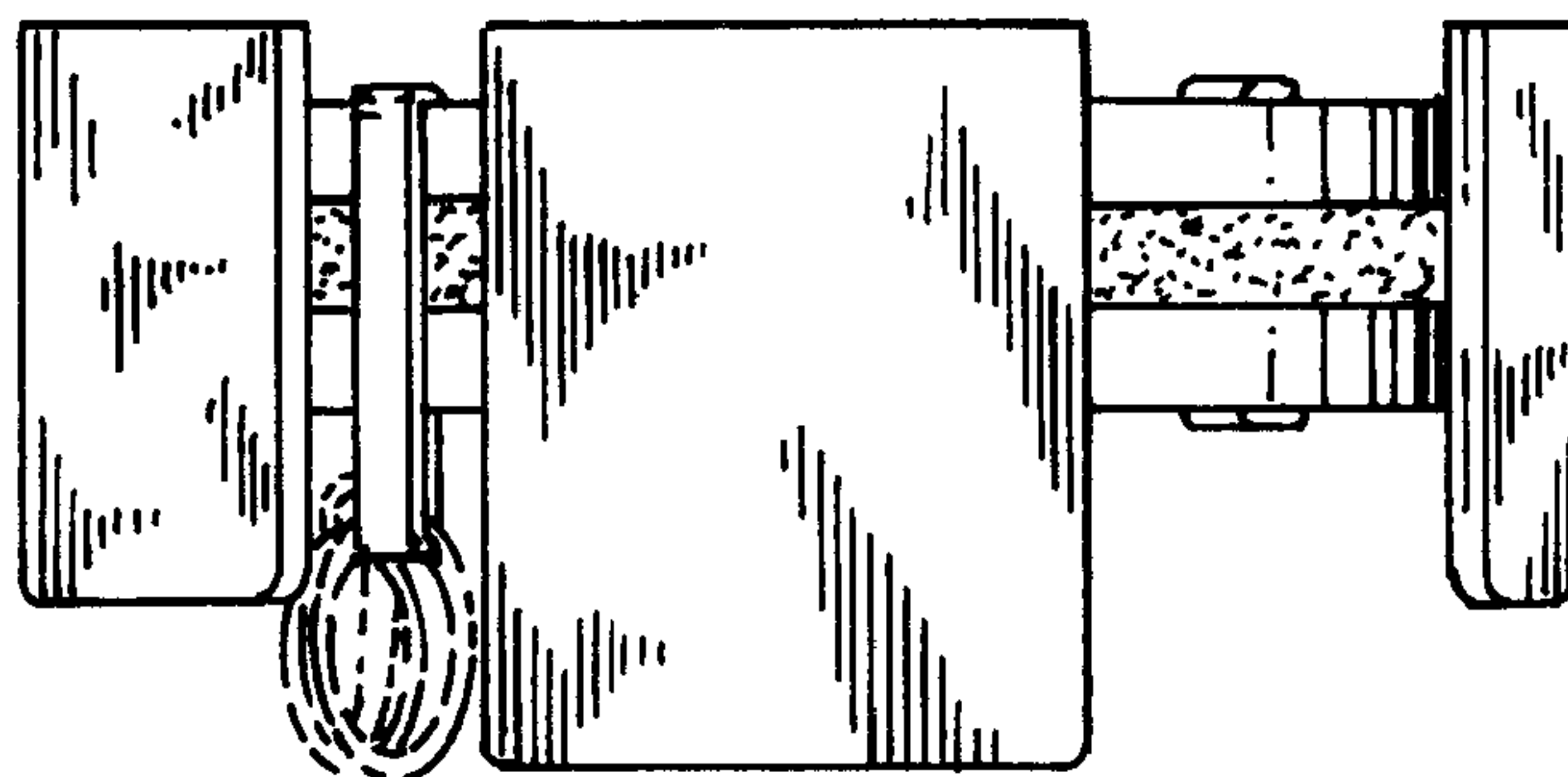


FIG. 8