



US00D622028S

(12) **United States Design Patent**  
**Kerr et al.**

(10) **Patent No.:** **US D622,028 S**  
(45) **Date of Patent:** **\*\* Aug. 24, 2010**

(54) **PET FOOD SUPPLEMENT**

(75) Inventors: **George Scott Kerr**, Mason, OH (US);  
**Gregory Dean Sunvold**, Lewisburg, OH  
(US); **Lawrence Andrew Schumacher**,  
Trenton, OH (US); **David William**  
**Schuller**, Lebanon, OH (US); **Robbert**  
**H. Ter Haar**, Dayton, OH (US); **Gary J.**  
**Kohlman**, Terrace Park, OH (US)

(73) Assignee: **The Procter & Gamble Company**,  
Cincinnati, OH (US)

(\*\*) Term: **14 Years**

(21) Appl. No.: **29/346,986**

(22) Filed: **Nov. 10, 2009**

**Related U.S. Application Data**

(62) Division of application No. 29/320,850, filed on Jul. 7,  
2008, now Pat. No. Des. 606,278.

(51) **LOC (9) Cl.** ..... **01-01**

(52) **U.S. Cl.** ..... **D1/107**

(58) **Field of Classification Search** ..... D1/106-107,  
D1/126, 127, 130, 199; D30/160; D21/385-386;  
D28/8.1; 426/104

See application file for complete search history.

(56) **References Cited**

**U.S. PATENT DOCUMENTS**

428,502 A *	5/1890	Maggi	426/576
D151,871 S *	11/1948	Carapellotti	D1/126
D167,535 S	8/1952	Peters	
D357,588 S *	4/1995	Fachinger	D6/304
D360,304 S	7/1995	Fachinger	
D394,414 S	5/1998	Catalano	
D427,743 S	7/2000	Macias	
D435,160 S	12/2000	Macias	
D440,736 S	4/2001	Stafford	

D445,518 S *	7/2001	Warden	D26/38
D475,504 S *	6/2003	Hodgdon	D1/130
D476,767 S *	7/2003	Warden	D26/38
D507,119 S	7/2005	Reeves, Jr.	
D510,174 S *	10/2005	Richey et al.	D1/127
D531,364 S *	10/2006	Crane	D30/118
D540,007 S	4/2007	Edwards	
D546,026 S	7/2007	Ellsworth	
D561,411 S *	2/2008	Pipenur	D30/155
D572,141 S	7/2008	Slabaugh	
D581,830 S	12/2008	Slabaugh	
D589,660 S	3/2009	Tolentino-Swem	
D591,162 S *	4/2009	Slabaugh	D9/607
D591,478 S *	5/2009	Slusarczyk et al.	D1/107
D591,914 S	5/2009	Witham	
D592,377 S *	5/2009	Lee et al.	D1/127
2003/0185953 A1	10/2003	Bortone	

\* cited by examiner

*Primary Examiner*—Cathron C Brooks

*Assistant Examiner*—Barbara Fox

(74) *Attorney, Agent, or Firm*—Adam W. Borgman; Kim  
William Zerby

(57) **CLAIM**

The ornamental design for a pet food supplement, as shown  
and described.

**DESCRIPTION**

FIG. 1 is a perspective view of a pet food supplement  
embodying the new design;

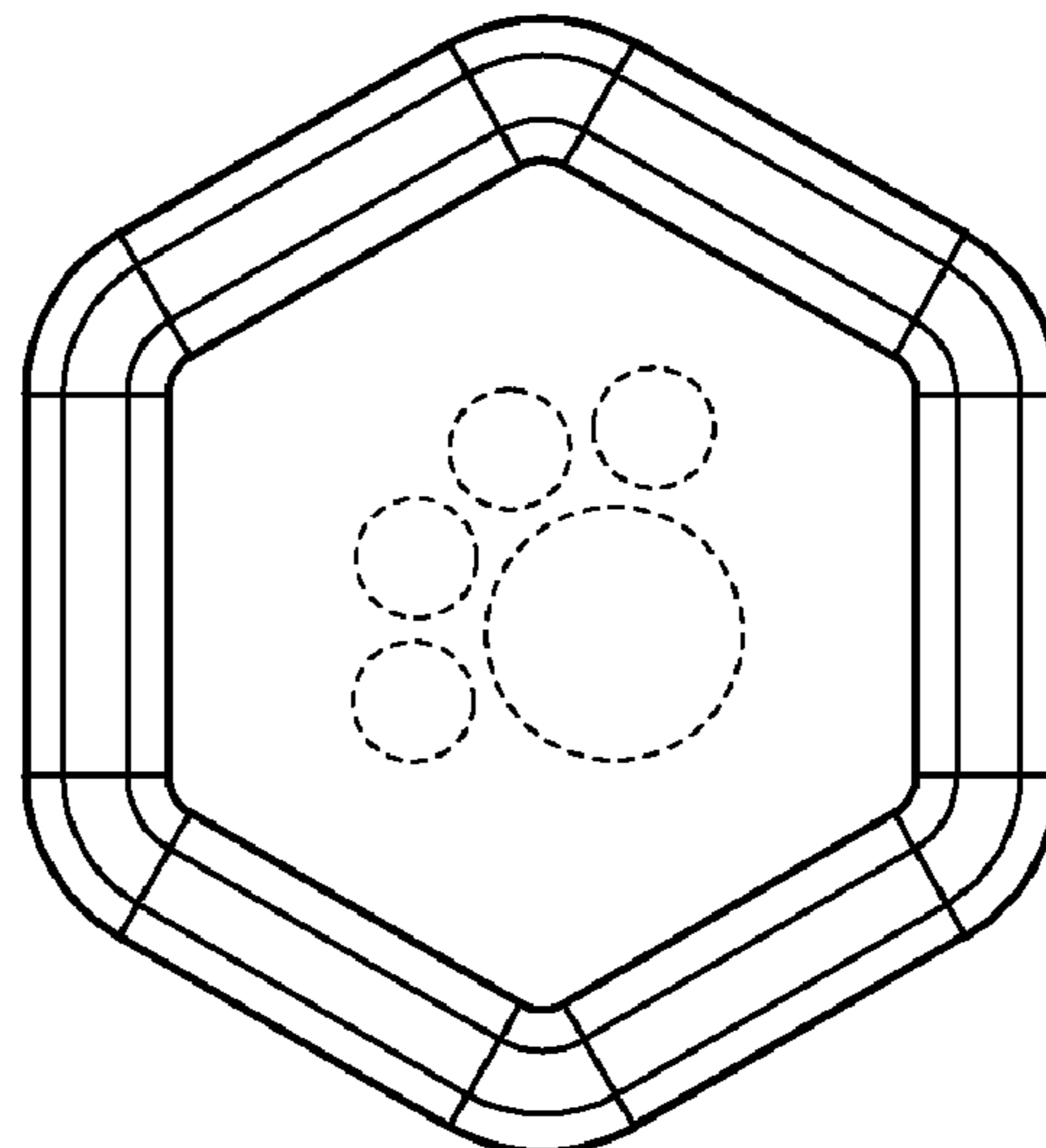
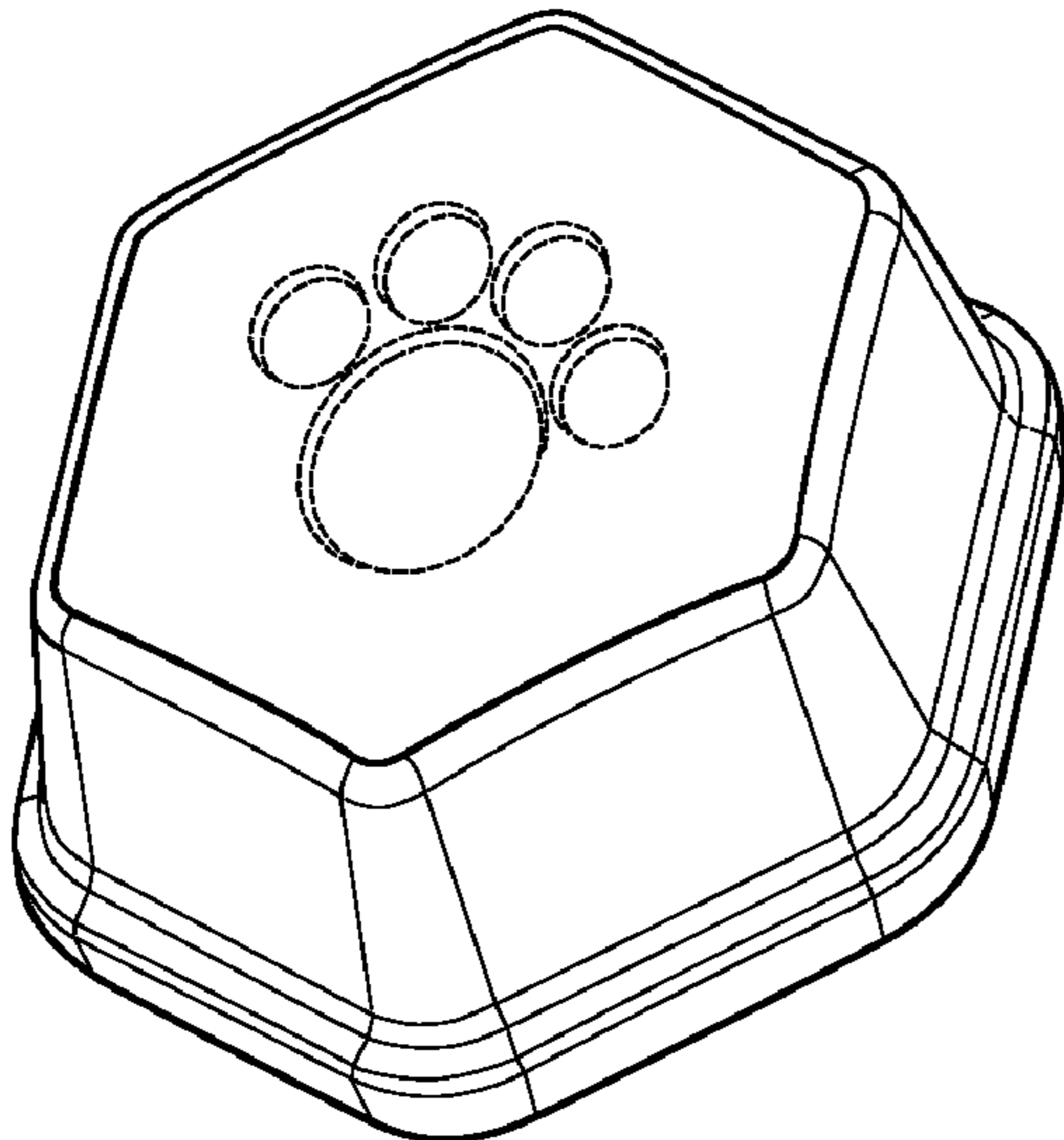
FIG. 2 is a top view thereof;

FIG. 3 is a bottom view thereof; and,

FIG. 4 is a left side view thereof and is identical to a right side  
view thereof.

The broken lines shown in the drawings illustrate unclaimed  
portions of the pet food supplement and form no part of the  
claimed design.

**1 Claim, 1 Drawing Sheet**



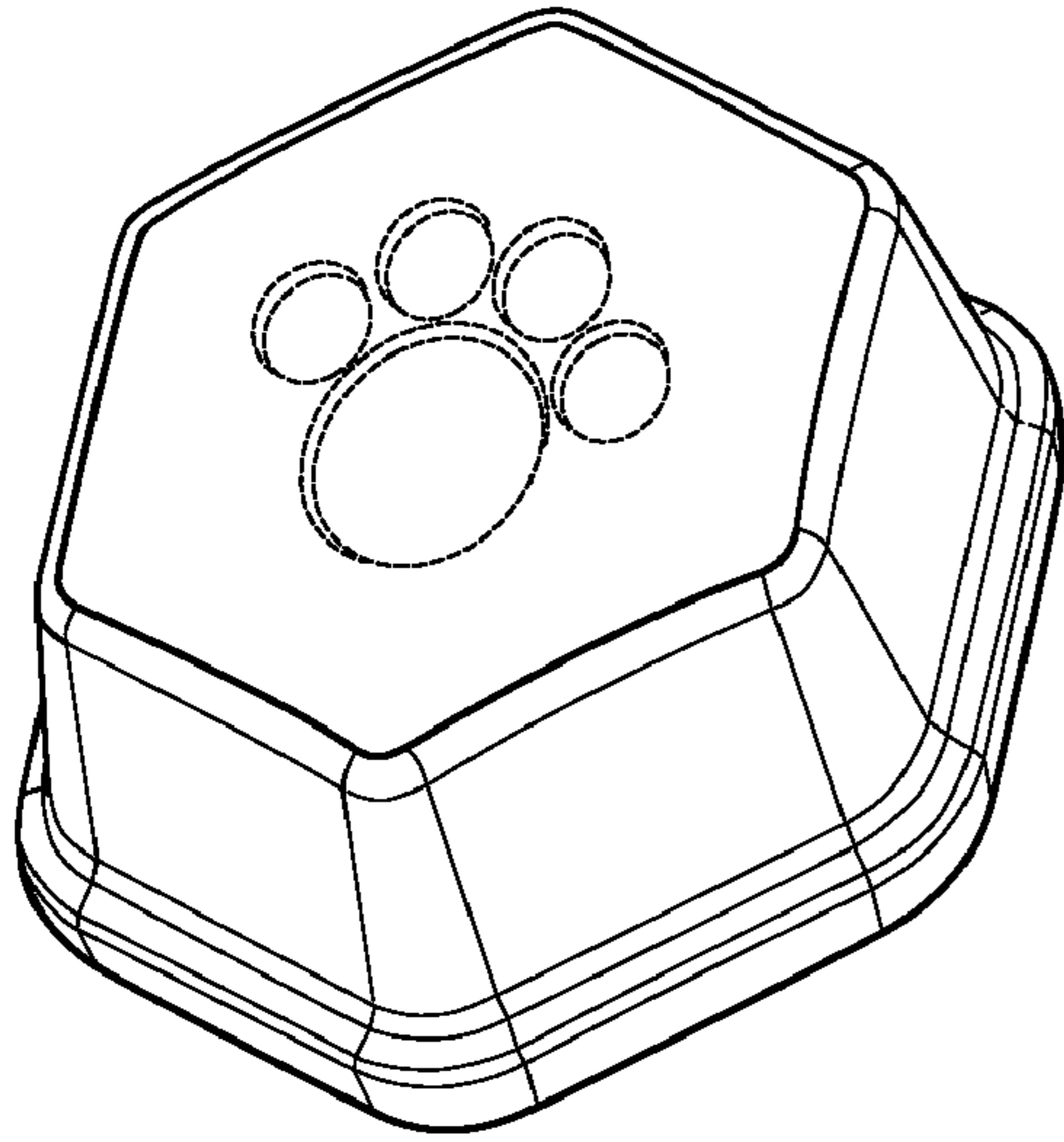


Fig. 1

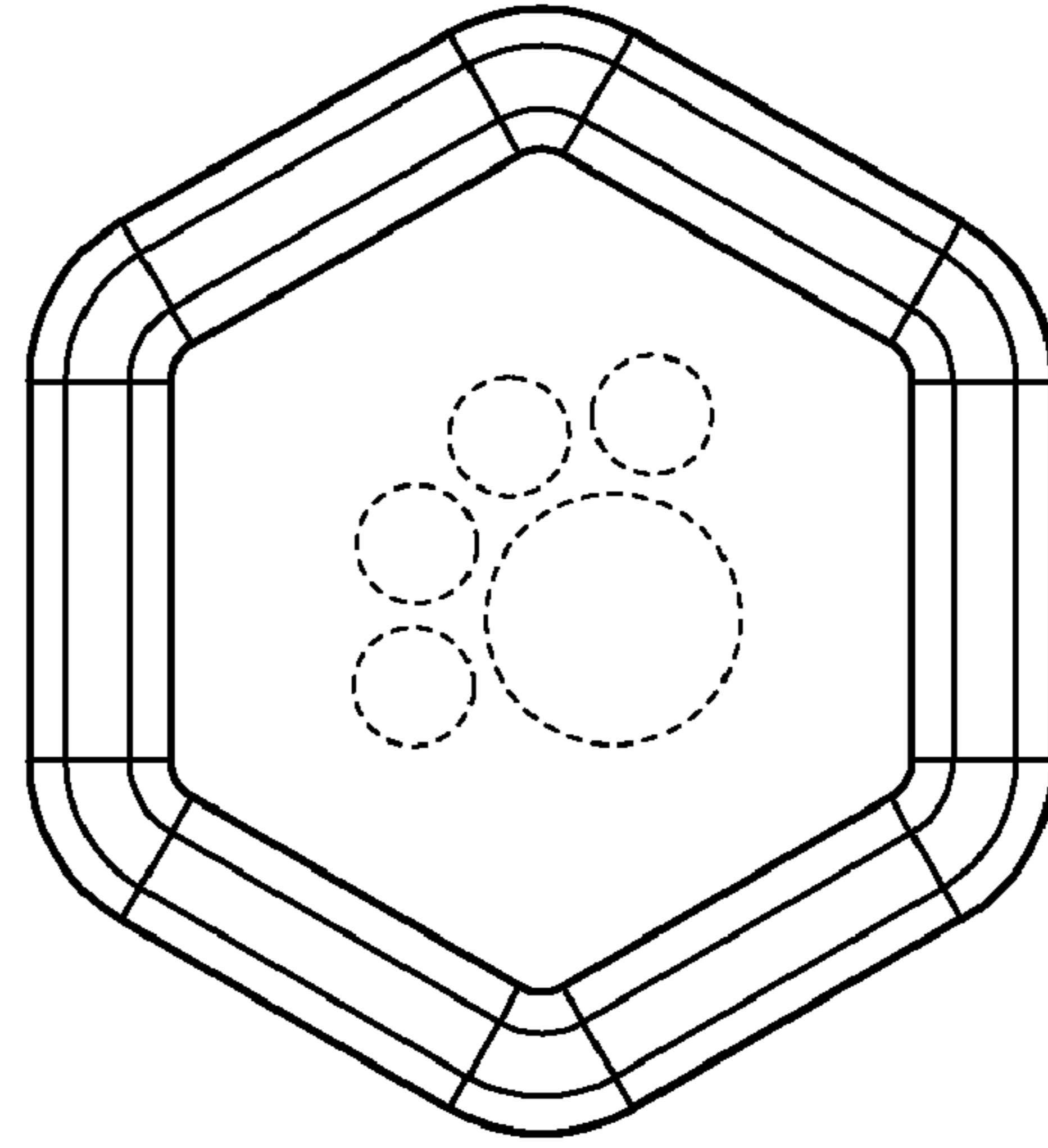


Fig. 2

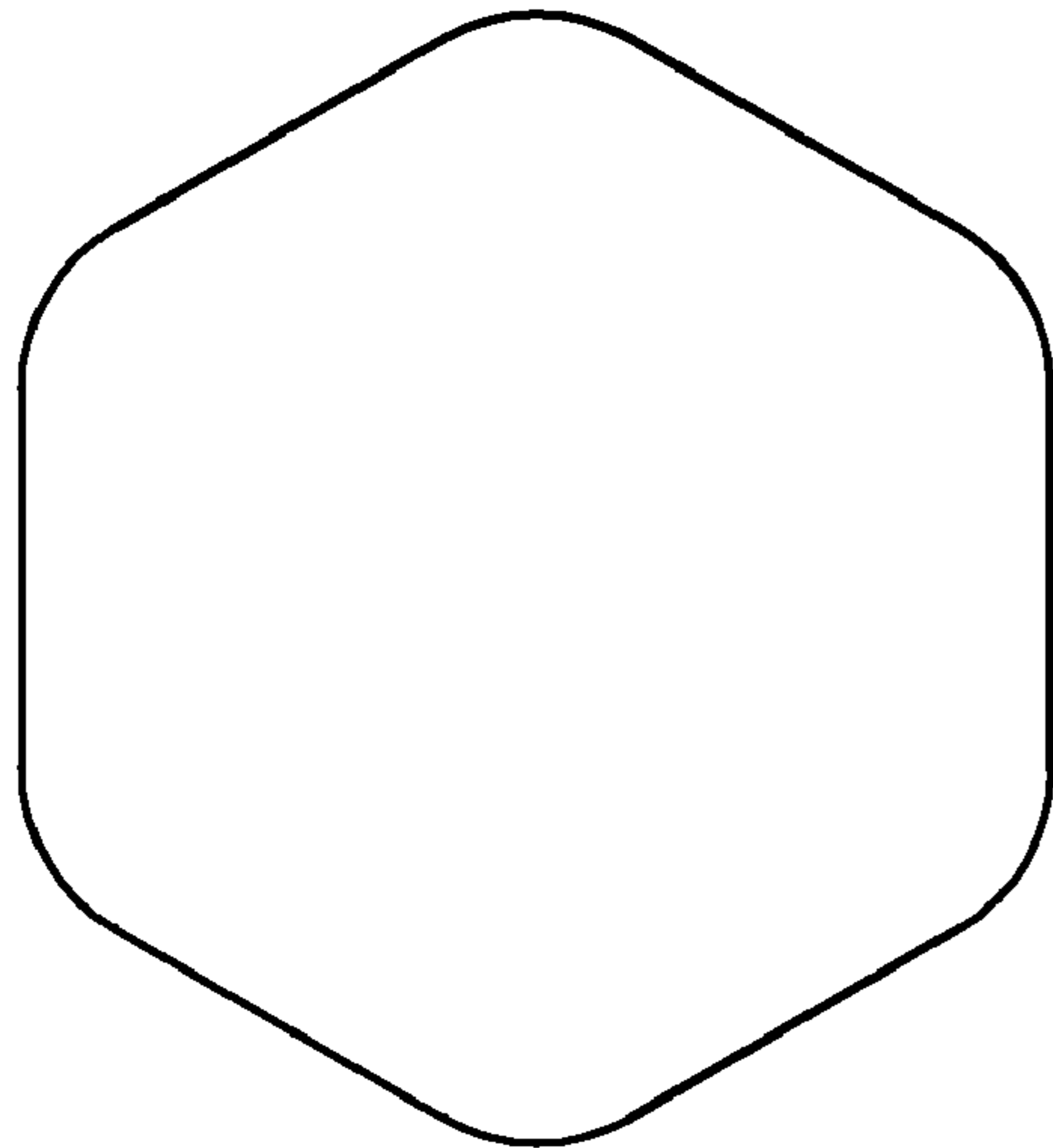


Fig. 3

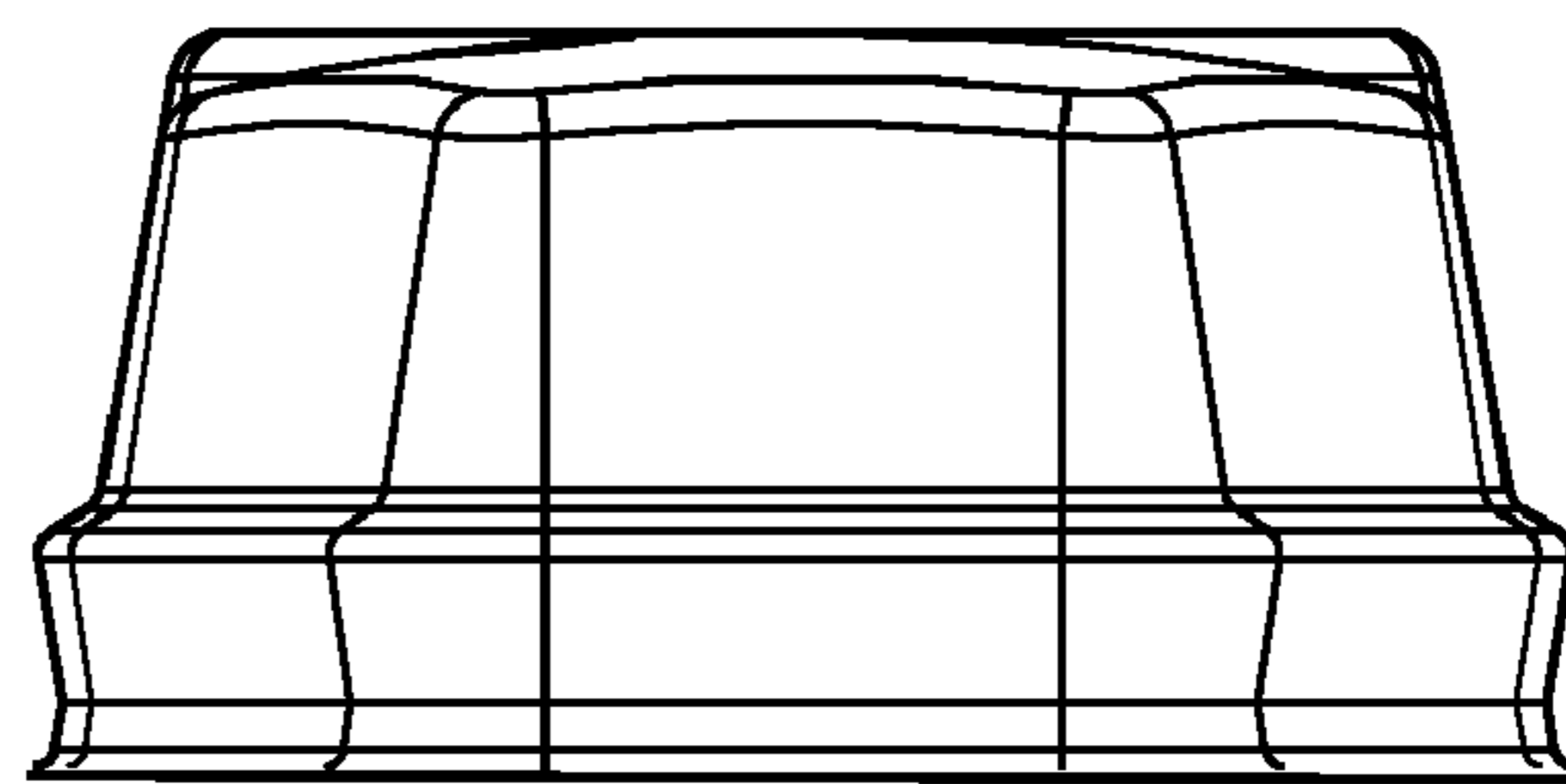


Fig. 4