



US00D622021S

(12) **United States Design Patent**
Sauder

(10) **Patent No.:** **US D622,021 S**

(45) **Date of Patent:** **** Aug. 17, 2010**

(54) **RETURN ROLLER GUARD**

(76) Inventor: **William E. Sauder**, 114 N. Glendora Ave., #116, Glendora, CA (US) 91741

(**) Term: **14 Years**

(21) Appl. No.: **29/344,279**

(22) Filed: **Sep. 25, 2009**

(51) **LOC (9) Cl.** **12-05**

(52) **U.S. Cl.** **D34/29**

(58) **Field of Classification Search** D34/35,
D34/29; 198/300, 841, 678.1, 685, 686,
198/687, 823

See application file for complete search history.

(56) **References Cited**

U.S. PATENT DOCUMENTS

2,846,045	A	8/1958	Fowler	
3,848,542	A	11/1974	Schied	
3,970,187	A	7/1976	Esaki	
4,852,723	A	8/1989	Ellens	
5,044,485	A	9/1991	Loder	
5,156,252	A	10/1992	Mello	
5,372,247	A	12/1994	Nishikawa	
5,467,866	A *	11/1995	Swinderman	198/841
6,209,702	B1	4/2001	Agnoff	
6,318,545	B1	11/2001	Ross, II	
7,014,035	B2	3/2006	Wiggins	
7,144,615	B2 *	12/2006	Peiffer et al.	428/141
7,222,728	B2	5/2007	Wier	
7,284,658	B2	10/2007	Wiggins	

2003/0183492	A1 *	10/2003	Vaananen et al.	198/841
2003/0196875	A1	10/2003	Bube	
2004/0216987	A1 *	11/2004	Wiggins	198/841
2006/0163041	A1	7/2006	Wiggins	
2007/0295583	A1	12/2007	Hall	
2008/0110731	A1	5/2008	Vestergaard	

* cited by examiner

Primary Examiner—Cynthia E Ramirez

(74) *Attorney, Agent, or Firm*—QuickPatents, Inc.; Kevin Prince

(57) **CLAIM**

The ornamental design for a return roller guard, as shown and described.

DESCRIPTION

FIG. 1 is a perspective view of a return roller guard, showing my new design;

FIG. 2 is an exploded perspective view thereof;

FIG. 3 is a front elevational view thereof;

FIG. 4 is a rear elevational view thereof;

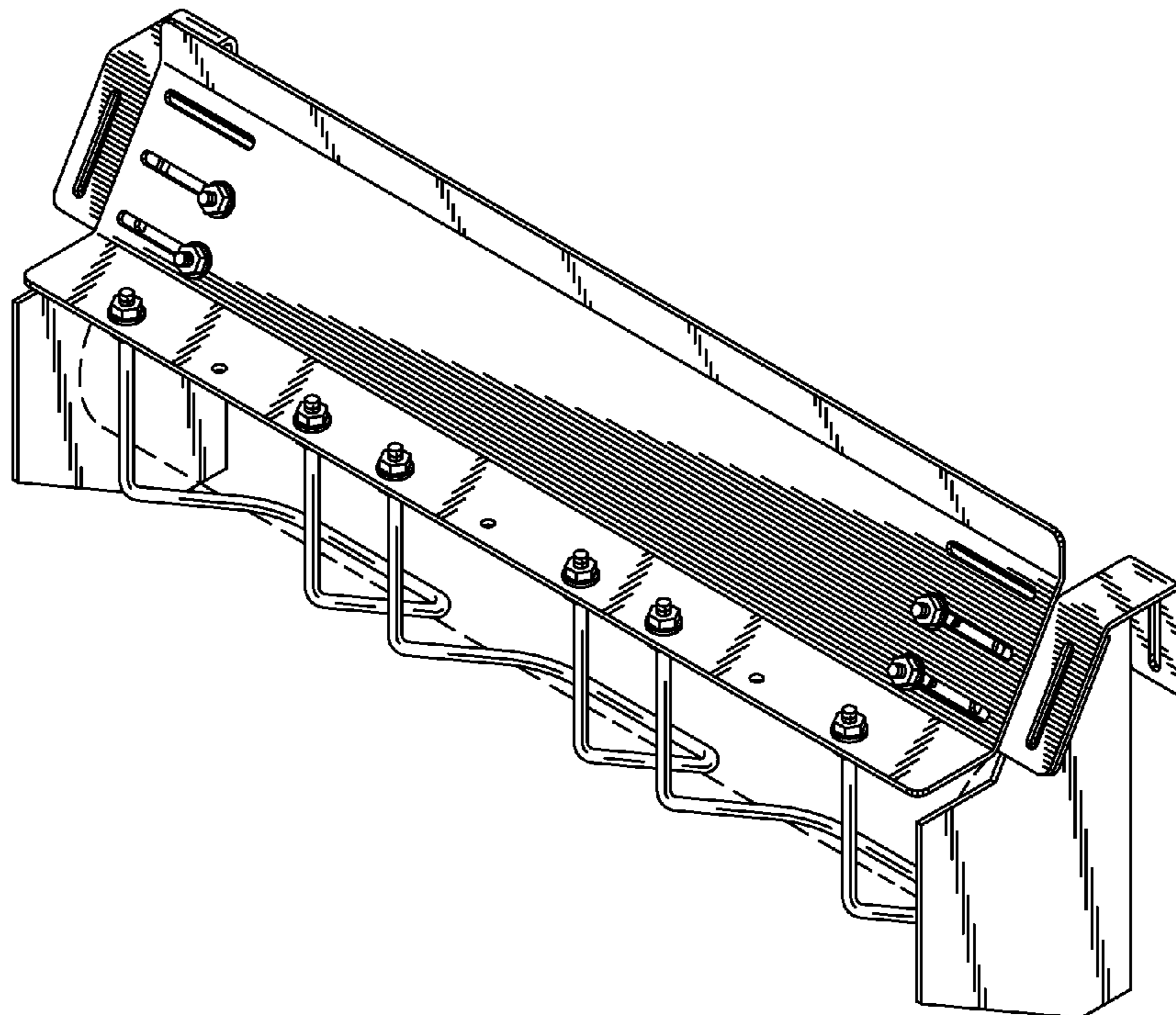
FIG. 5 is a right-side elevational view thereof, the left-side elevational view being a mirror image thereof;

FIG. 6 is a top plan view thereof; and,

FIG. 7 is a bottom plan view thereof.

The broken line in FIG. 1 is included for the purpose of illustrating environment and forms no part of the claimed design.

1 Claim, 3 Drawing Sheets



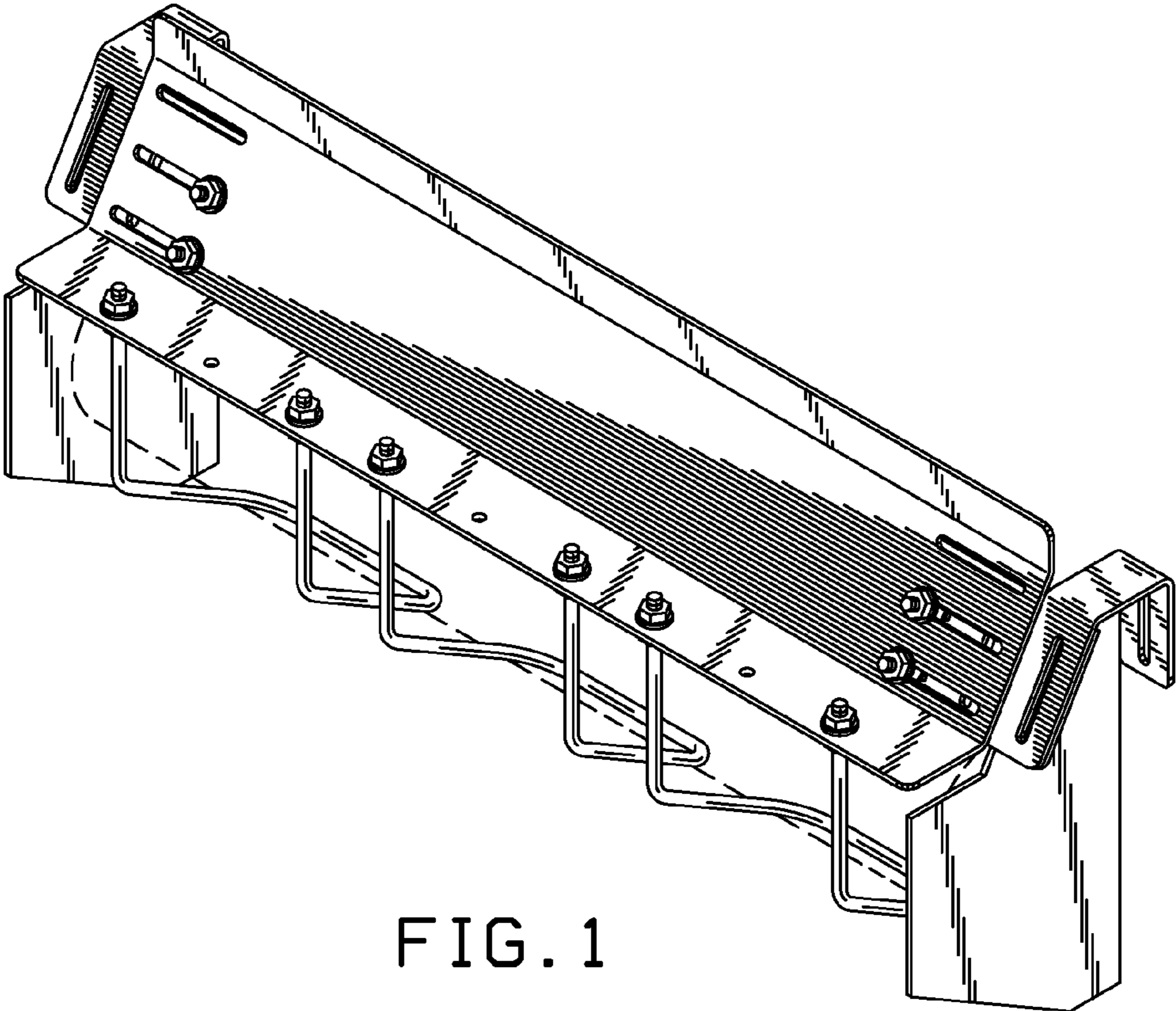


FIG. 1

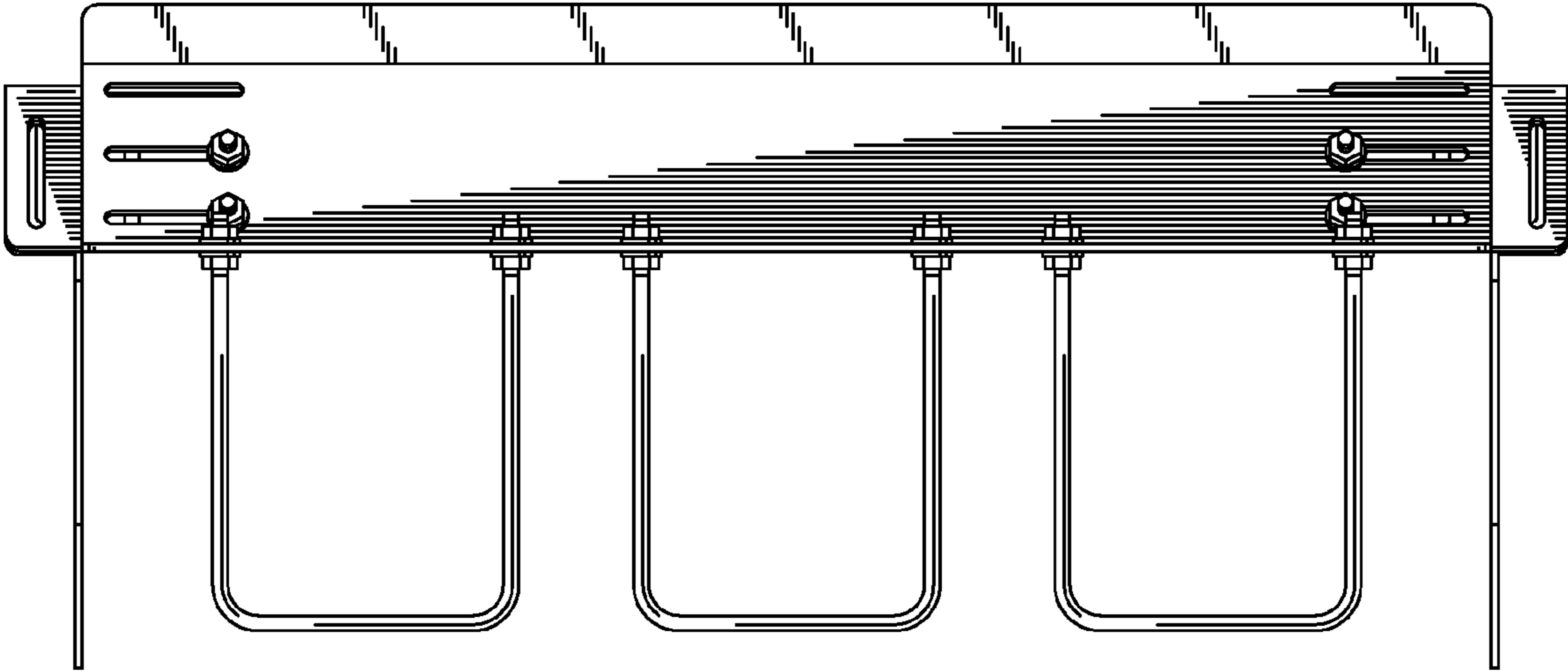


FIG. 3

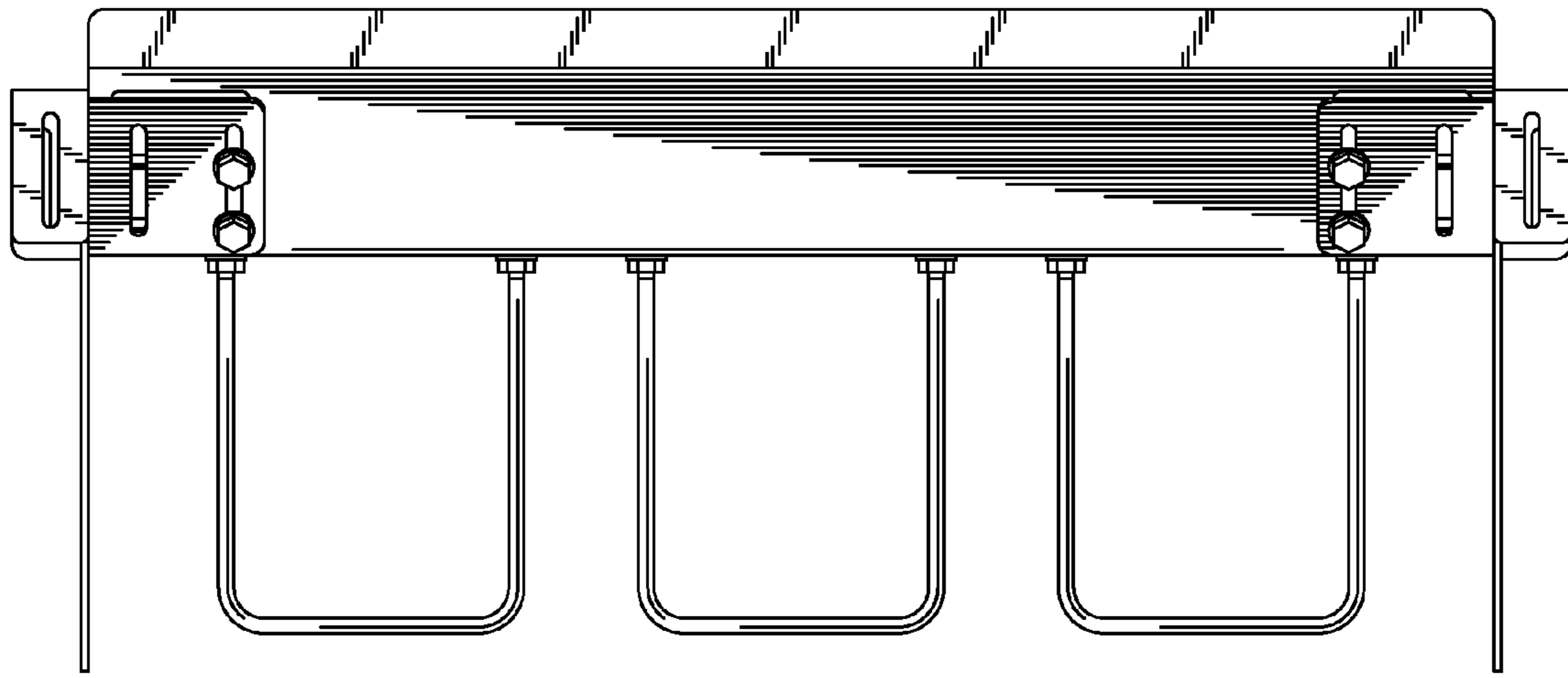


FIG. 4

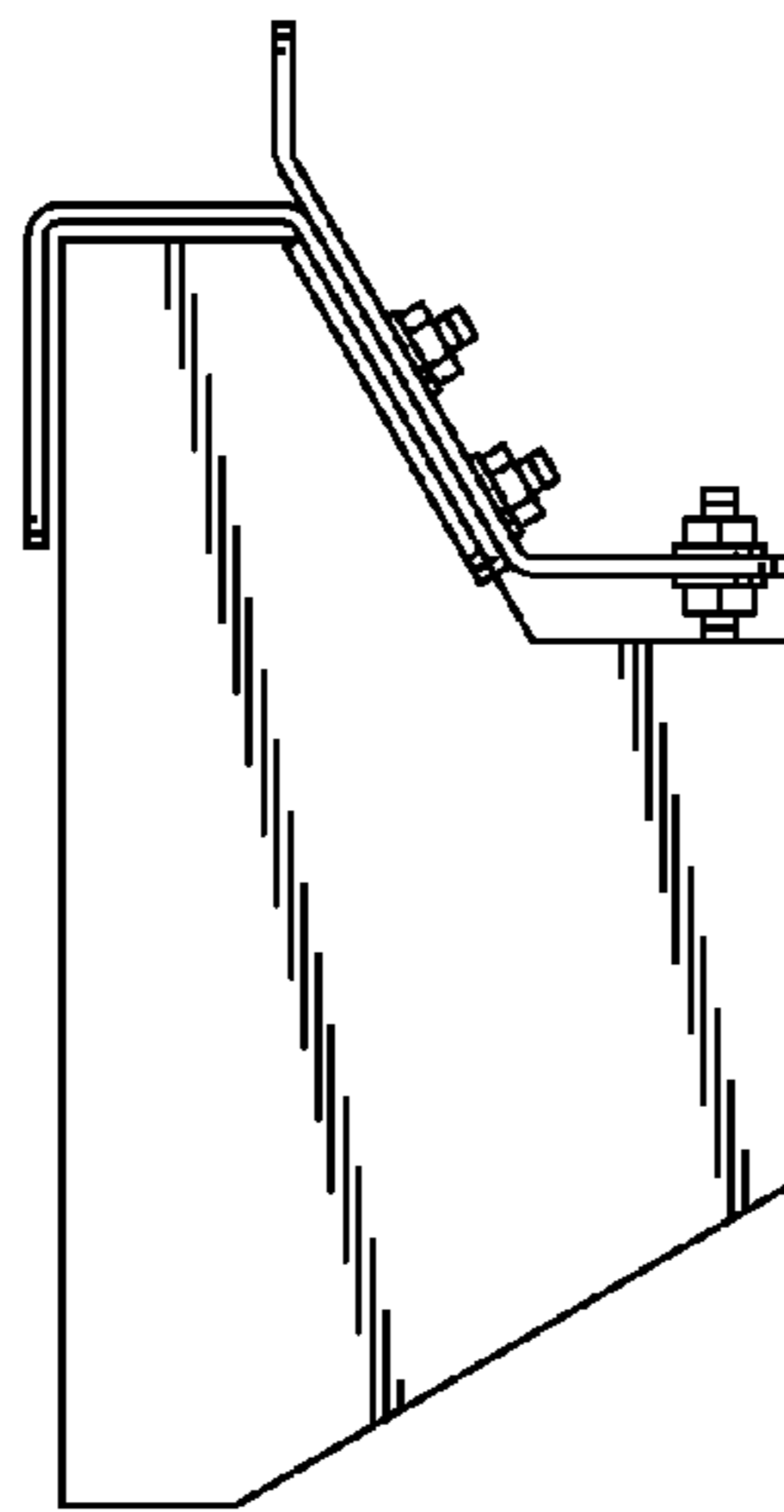


FIG. 5

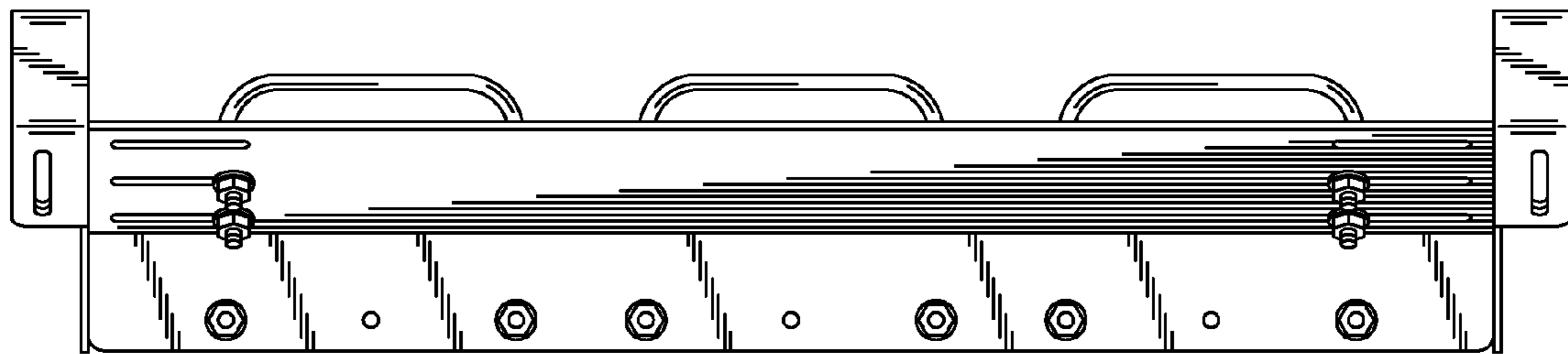


FIG. 6

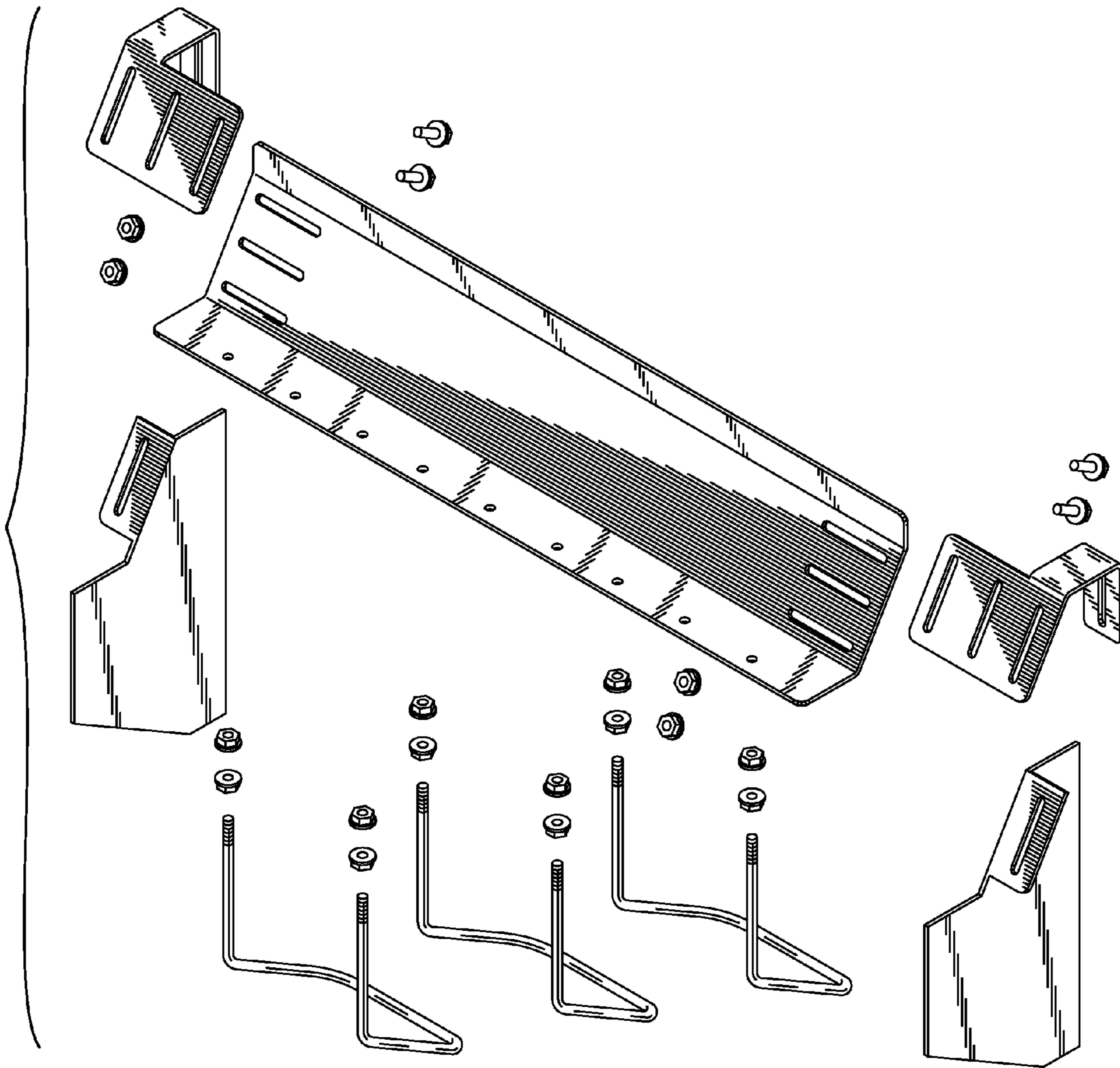


FIG. 2

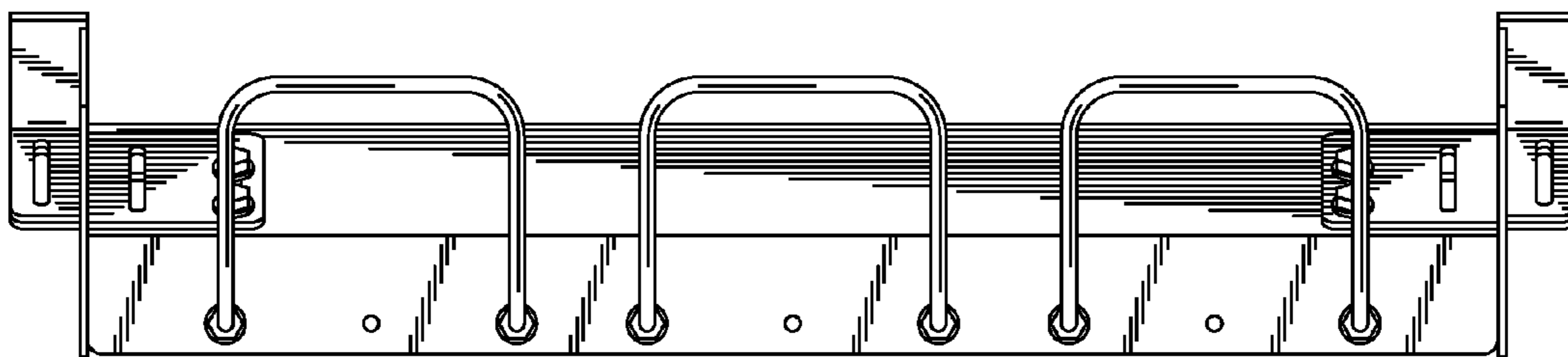


FIG. 7