



US00D622018S

(12) **United States Design Patent**
Renner

(10) **Patent No.:** **US D622,018 S**
(45) **Date of Patent:** **** Aug. 17, 2010**

(54) **MOP**
(75) Inventor: **Reinhard Renner**, Esslingen (DE)
(73) Assignee: **Leifheit AG**, Nassau/Lahn (DE)
(**) Term: **14 Years**
(21) Appl. No.: **29/341,198**
(22) Filed: **Jul. 31, 2009**

(30) **Foreign Application Priority Data**
Feb. 2, 2009 (EM) 001080683
(51) **LOC (9) Cl.** **04-01**
(52) **U.S. Cl.** **D32/50**
(58) **Field of Classification Search** D32/40,
D32/44, 50, 51; 15/116.1, 116.2, 118, 119.1,
15/119.2, 120.1, 120.2, 229.1–229.3, 263;
D4/199
See application file for complete search history.

(56) **References Cited**
U.S. PATENT DOCUMENTS
5,060,338 A * 10/1991 Yates et al. 15/119.2

D423,742 S * 4/2000 Kingry et al. D32/40
6,108,848 A * 8/2000 Monahan 15/119.1
6,920,664 B2 * 7/2005 Libman et al. 15/120.1
7,089,622 B2 * 8/2006 Sampaio 15/120.2
D531,367 S * 10/2006 Hay D32/44

* cited by examiner
Primary Examiner—Nanda Bondade
(74) *Attorney, Agent, or Firm*—Leydig, Voit & Mayer, Ltd.

(57) **CLAIM**

The ornamental design for mop, as shown and described.

DESCRIPTION

FIG. 1 is a front, top, and right side perspective view of the mop showing my new design;
FIG. 2 is a front view thereof, the back view being identical to the front view;
FIG. 3 is a left side view thereof, the right side view being identical to the left side view;
FIG. 4 is a top view thereof; and,
FIG. 5 is a bottom view thereof.
FIGS. 4 and 5 are on an enlarged scale.

1 Claim, 2 Drawing Sheets

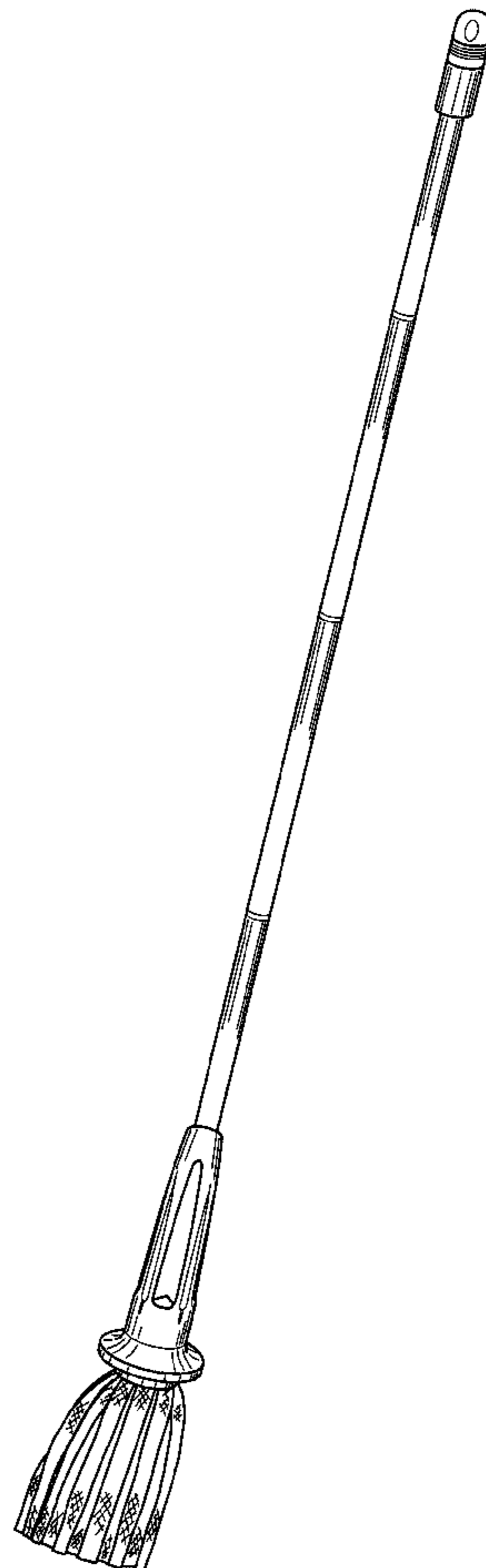


Fig. 1

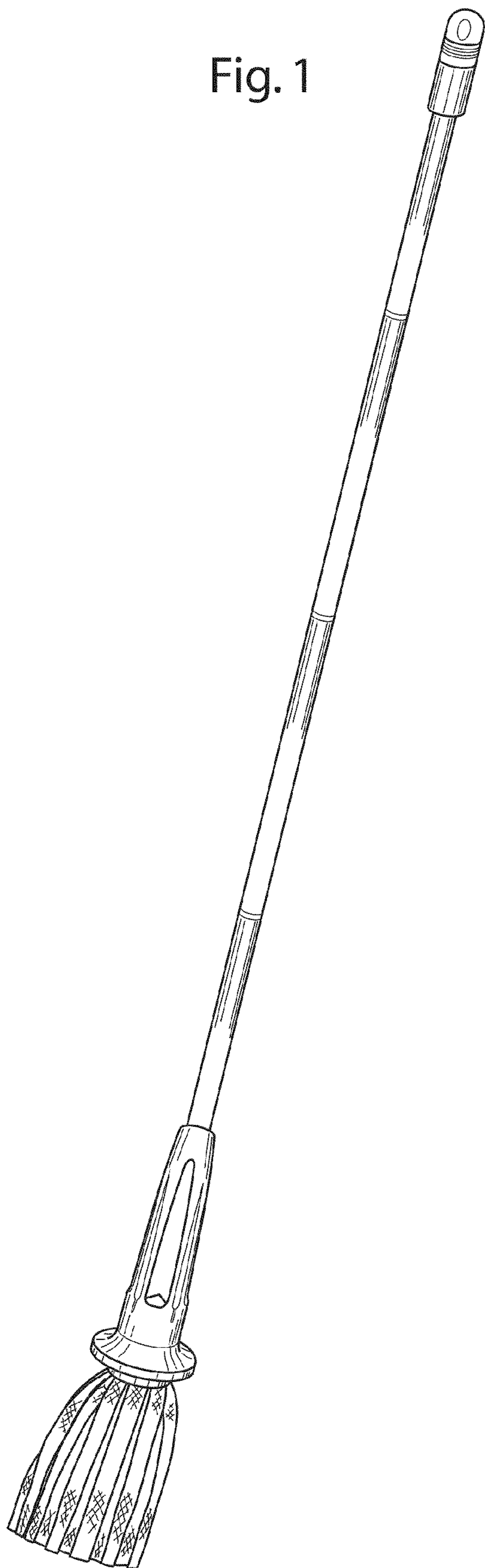


Fig. 2

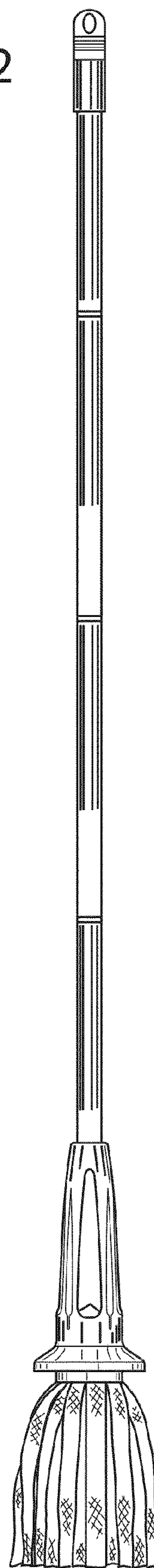


Fig. 3

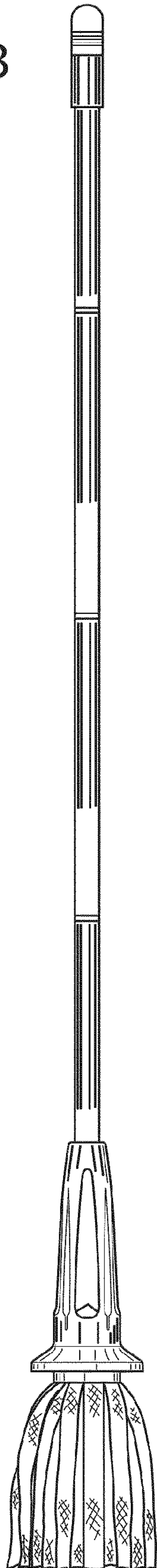


Fig. 4

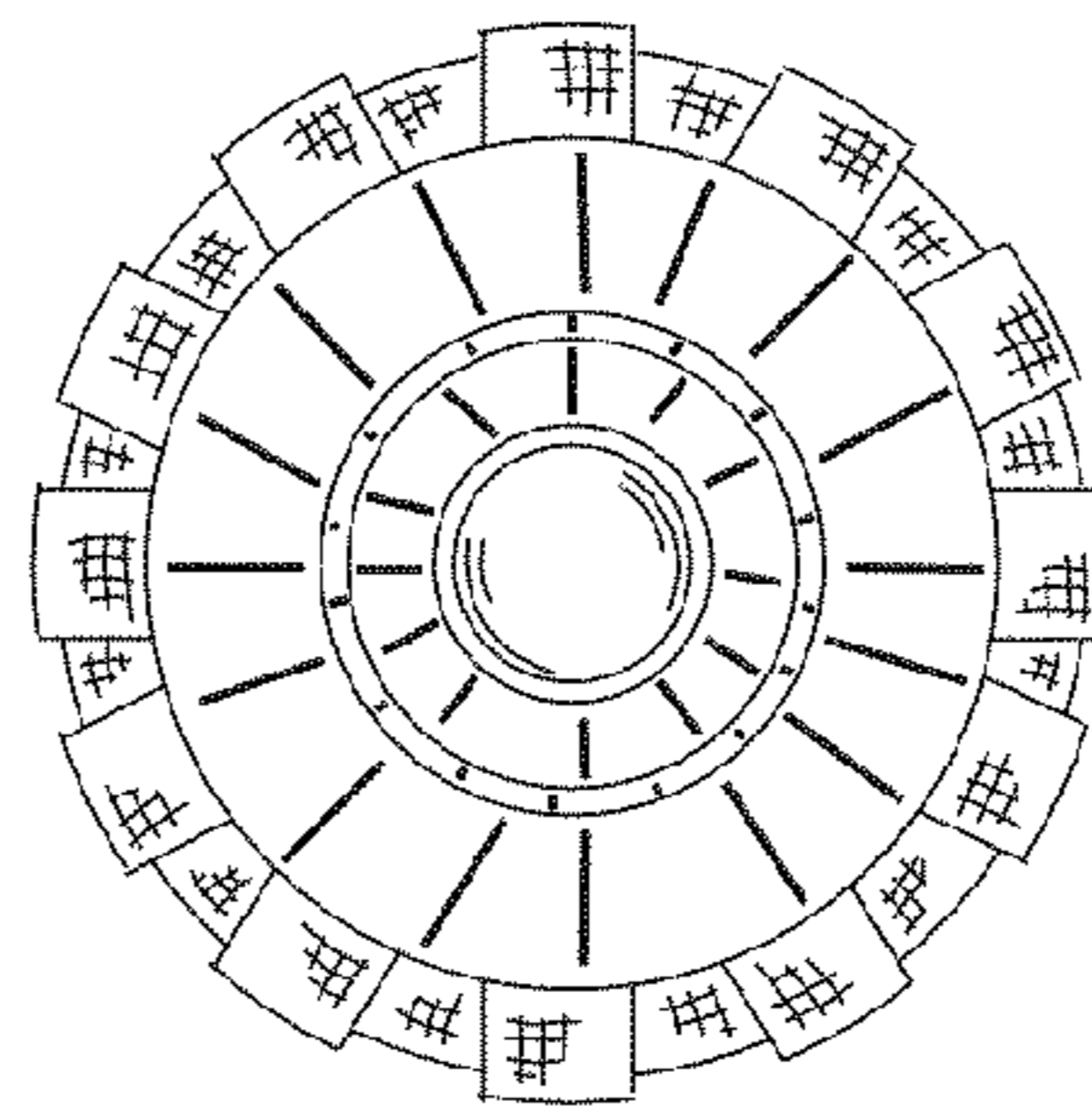


Fig. 5

