



US00D622016S

(12) **United States Design Patent**
Hofmann-Kay et al.

(10) **Patent No.:** **US D622,016 S**

(45) **Date of Patent:** **** Aug. 17, 2010**

(54) **GUTTER CLEANING SYSTEM**

(76) Inventors: **C. Jean Hofmann-Kay**, 826 Lillian La., Sarasota, FL (US) 34243; **Robert I. Kay**, 826 Lillian La., Sarasota, FL (US) 34243

(**) Term: **14 Years**

(21) Appl. No.: **29/309,825**

(22) Filed: **Oct. 22, 2008**

(51) **LOC (9) Cl.** **15-05**

(52) **U.S. Cl.** **D32/32**

(58) **Field of Classification Search** D32/31-34;
15/414-422.1, 236.04, 144.4, 144.3, 406,
15/104.05, 383, 377, 412, 400-402, 387,
15/322, 344; 239/532; 401/137, 9; 134/167 C
See application file for complete search history.

(56) **References Cited**

U.S. PATENT DOCUMENTS

3,971,098	A	7/1976	Davis	
4,402,106	A *	9/1983	Mattson	15/406
4,447,927	A *	5/1984	Malless, Jr.	15/236.04
4,542,553	A *	9/1985	Cary	15/236.04
4,673,129	A *	6/1987	Kologiy	239/532
5,056,187	A	10/1991	Higgins	
D368,996	S *	4/1996	Boyer	D32/32
D384,453	S *	9/1997	Bartz	D32/31
D391,704	S *	3/1998	Facer	D32/32
5,791,006	A *	8/1998	Anctil	15/144.4
5,898,969	A *	5/1999	Middleton	15/236.04
6,519,809	B2 *	2/2003	Gutry	15/414
6,925,676	B2 *	8/2005	Heavner et al.	15/236.04
D513,101	S *	12/2005	Allard et al.	D32/32
7,076,828	B2 *	7/2006	Hewlett	15/236.04
7,549,191	B2 *	6/2009	Seasholtz et al.	15/414
2003/0213086	A1 *	11/2003	Heavner et al.	15/236.04
2004/0042284	A1 *	3/2004	Sato	365/200
2004/0060142	A1 *	4/2004	Hubbard	15/236.04
2004/0143931	A1 *	7/2004	Dennis	15/414
2005/0241096	A1 *	11/2005	Reed	15/236.04

2006/0213027	A1 *	9/2006	Oberembt	15/414
2008/0022487	A1	1/2008	Young	
2008/0105765	A1 *	5/2008	Camp et al.	239/532
2008/0163451	A1 *	7/2008	Buller et al.	15/414
2009/0293217	A1 *	12/2009	Paterson	15/236.04

* cited by examiner

Primary Examiner—Ruth McInroy

(74) *Attorney, Agent, or Firm*—Richard C. Litman

(57) **CLAIM**

The ornamental design for a gutter cleaning system, as shown and described.

DESCRIPTION

FIG. 1 is a perspective view of a first embodiment of a gutter cleaning system showing my new design;

FIG. 2 is a front elevational view thereof;

FIG. 3 is a rear elevational view thereof;

FIG. 4 is a right side elevational view with the left side being a mirror image thereof;

FIG. 5 is a top view thereof;

FIG. 6 is a bottom view thereof;

FIG. 7 is a perspective view of a second embodiment of a gutter cleaning system showing my new design;

FIG. 8 is a front elevational view thereof;

FIG. 9 is a rear elevational view thereof;

FIG. 10 is a right side elevational view with the left side being a mirror image thereof;

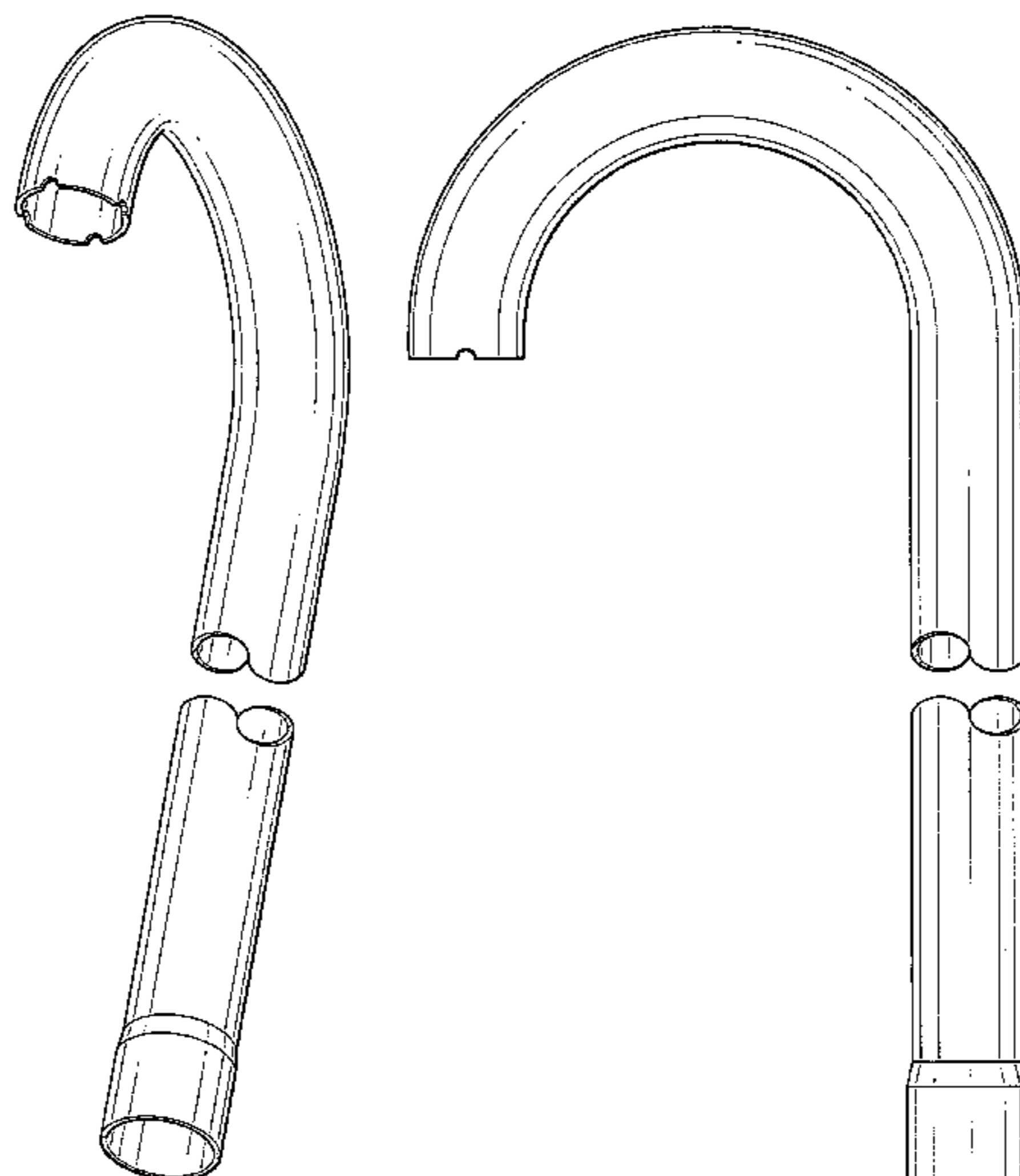
FIG. 11 is a top view thereof;

FIG. 12 is a bottom view thereof; and,

FIG. 13 is an environmental perspective view thereof.

The threaded pipe shown in broken lines in FIG. 13 forms no part of the claimed design. The break in FIGS. 1-4, 7-10 and 13 represents indeterminate length.

1 Claim, 9 Drawing Sheets



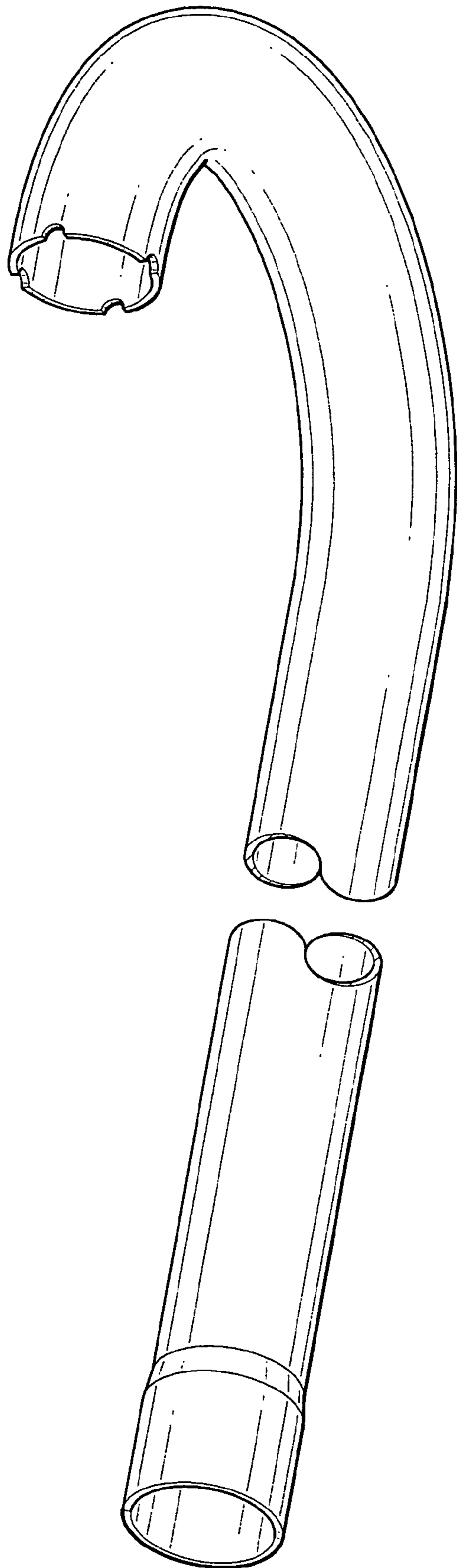


Fig. 1

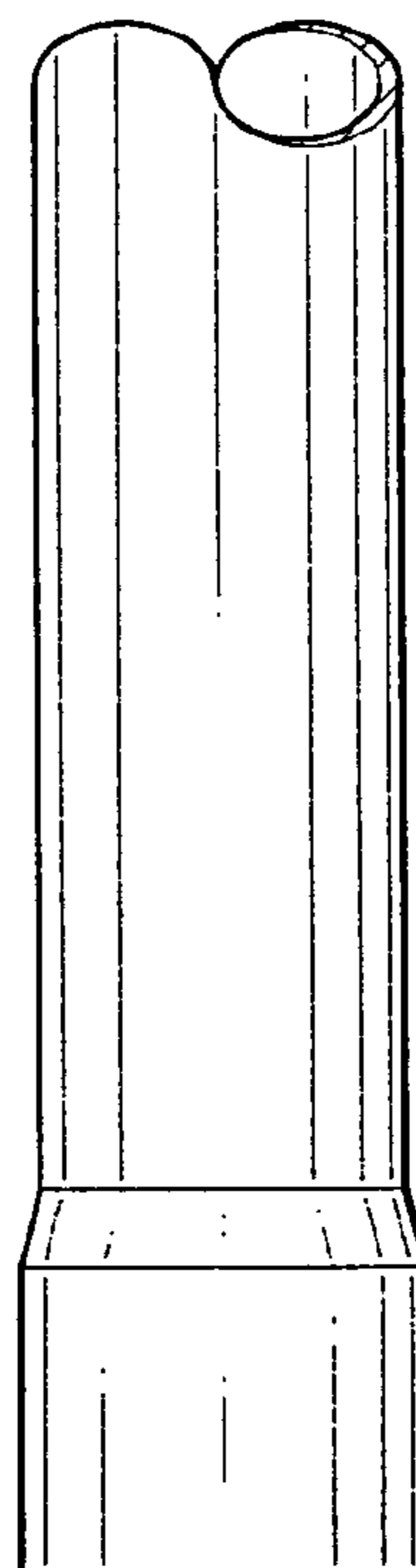
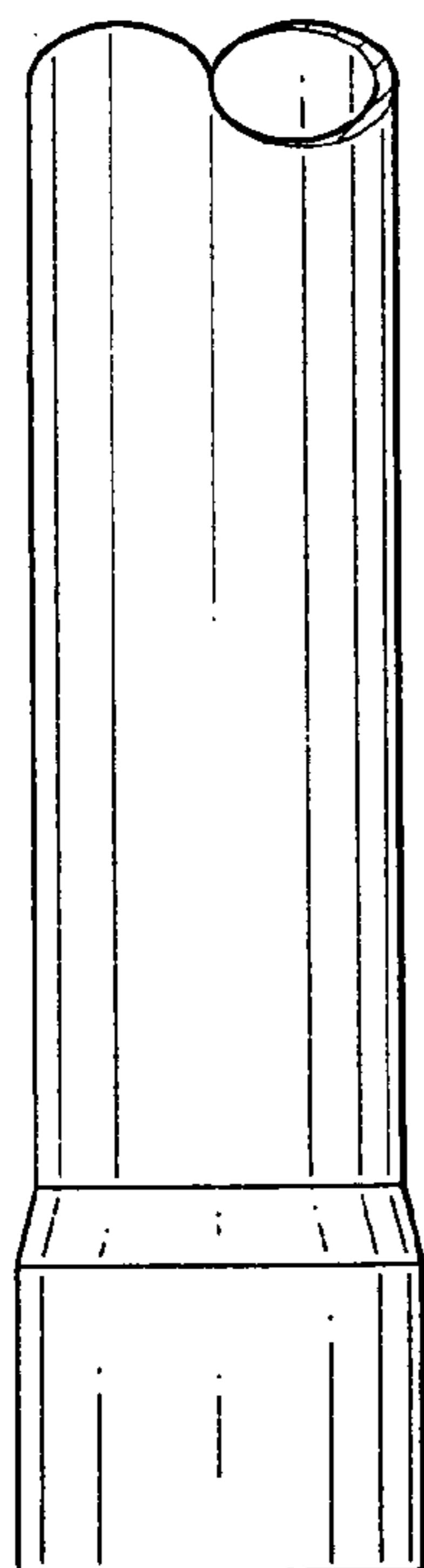
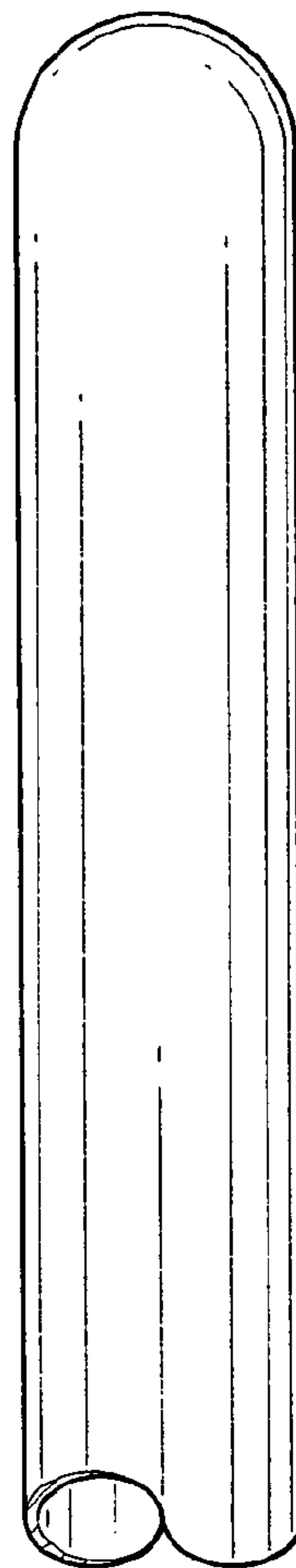
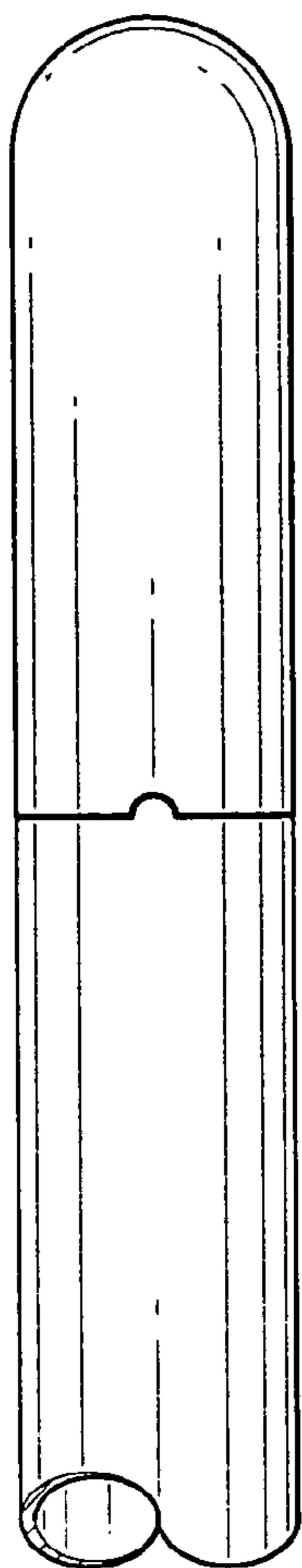


Fig. 2

Fig. 3

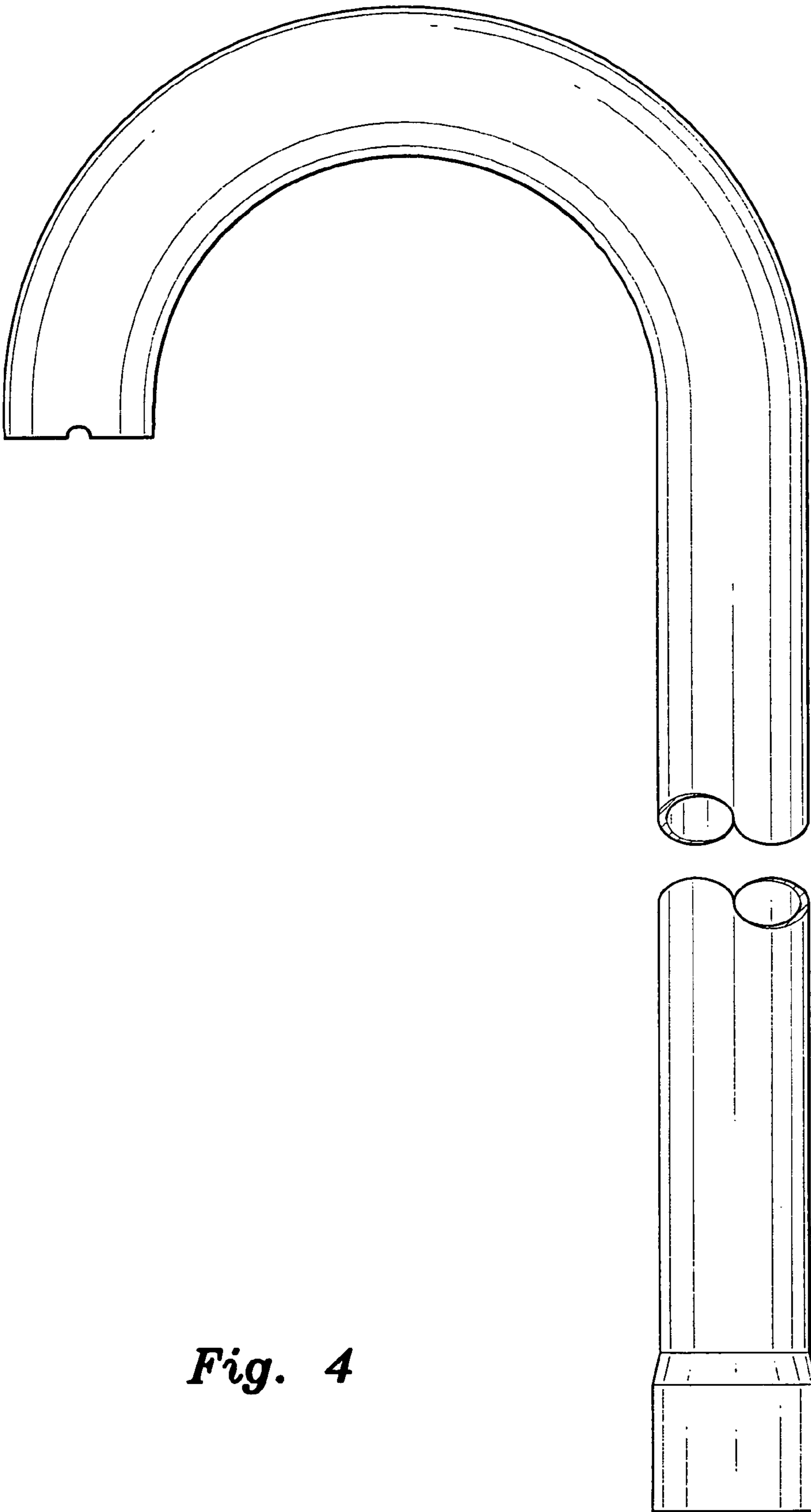


Fig. 4

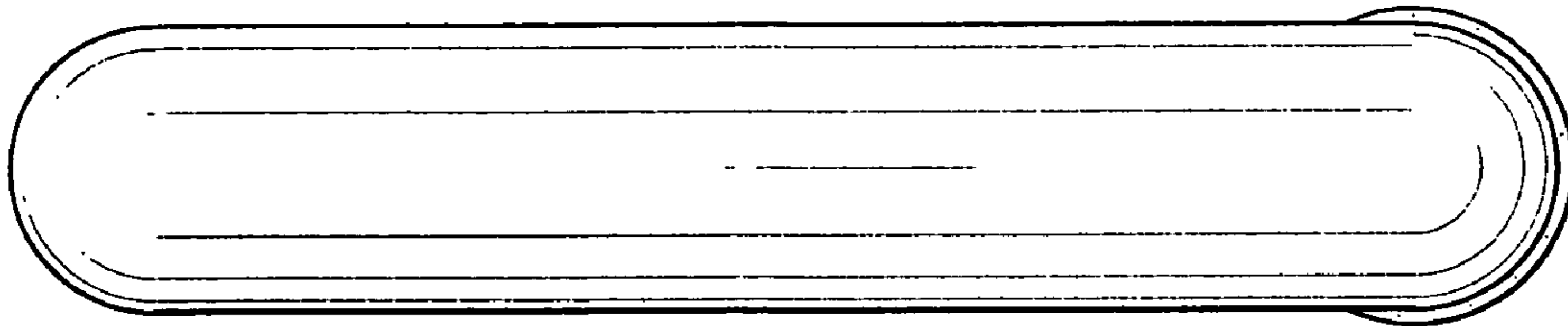


Fig. 5

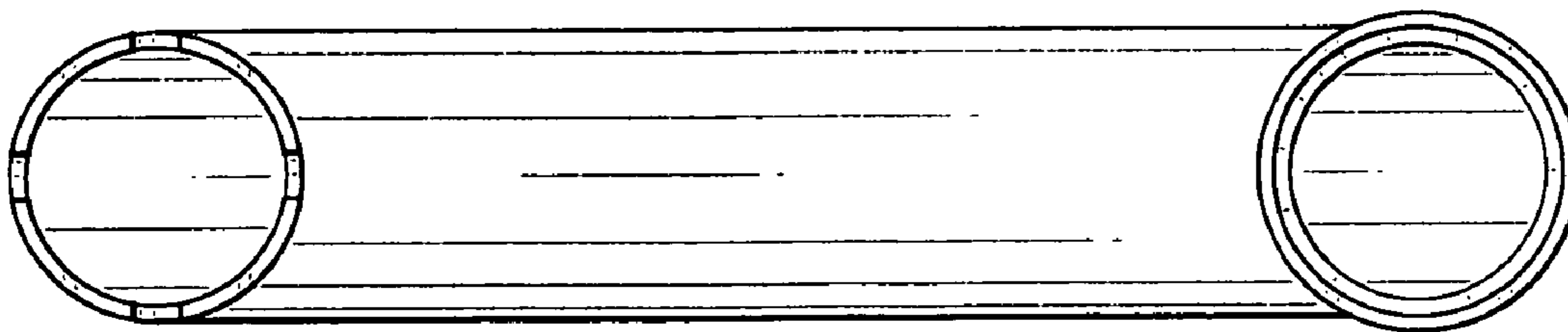


Fig. 6

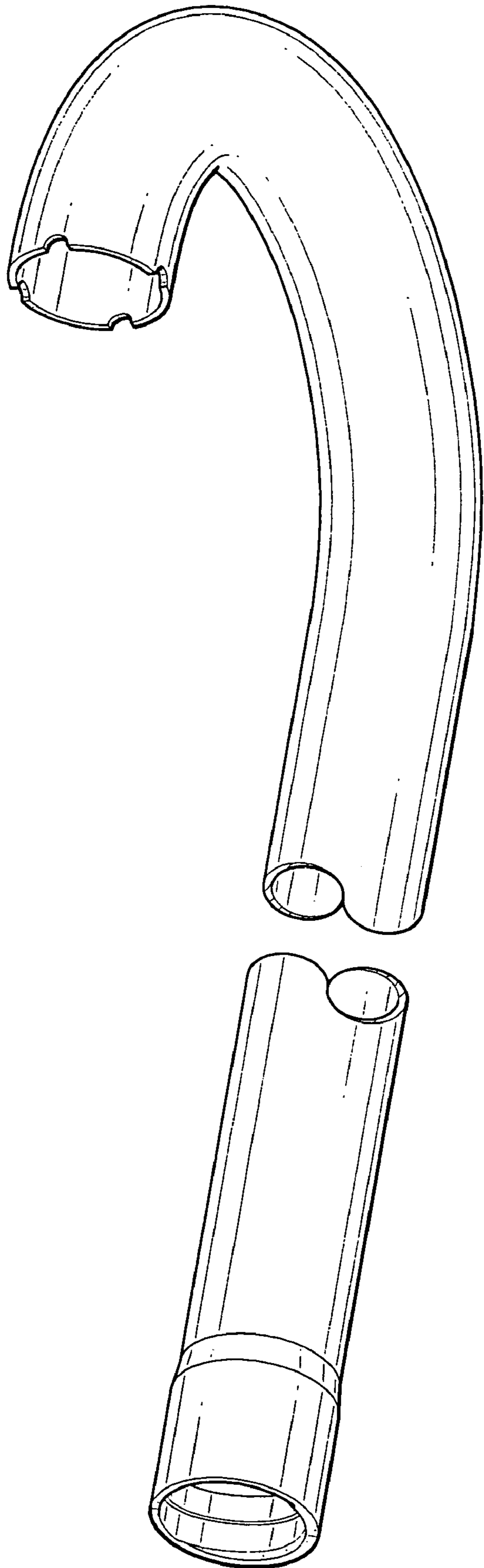


Fig. 7

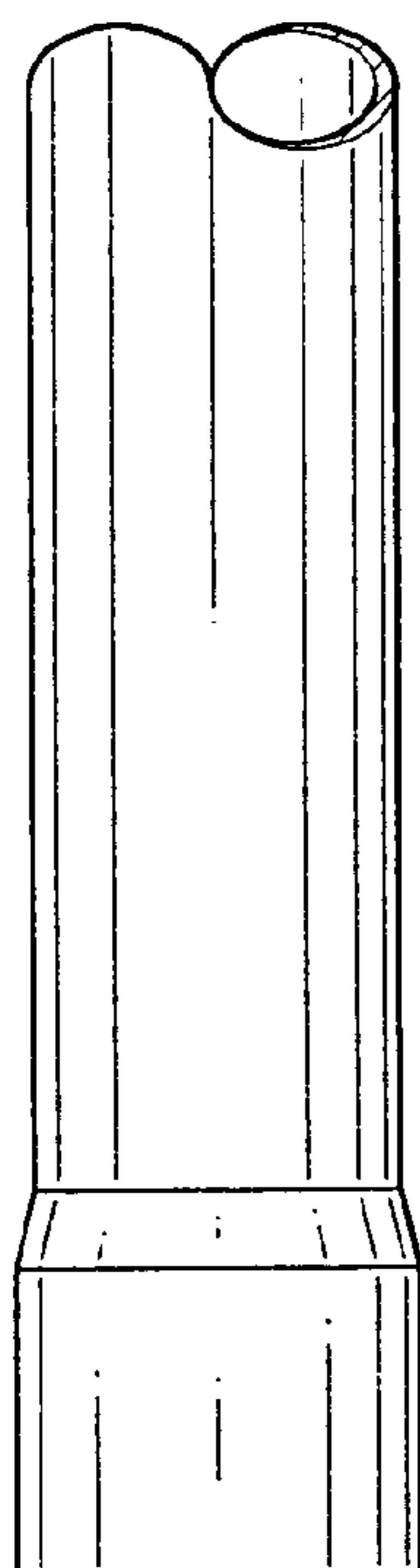
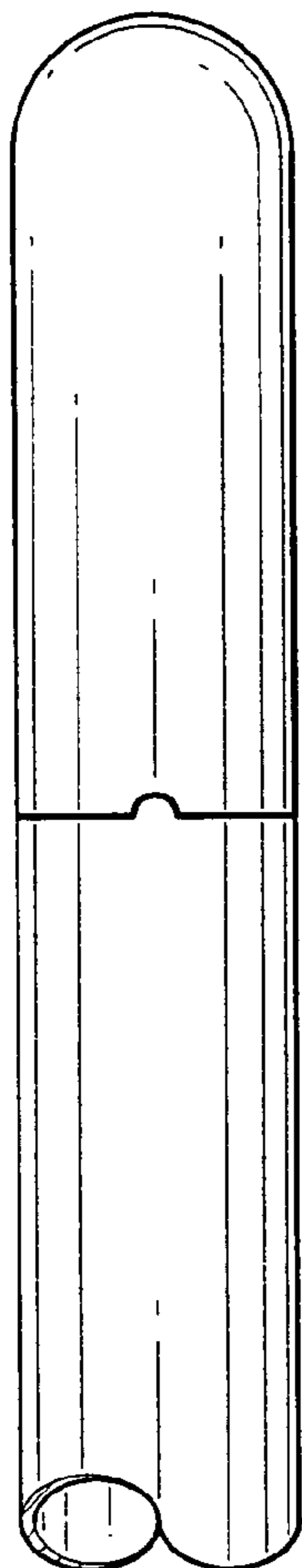


Fig. 8

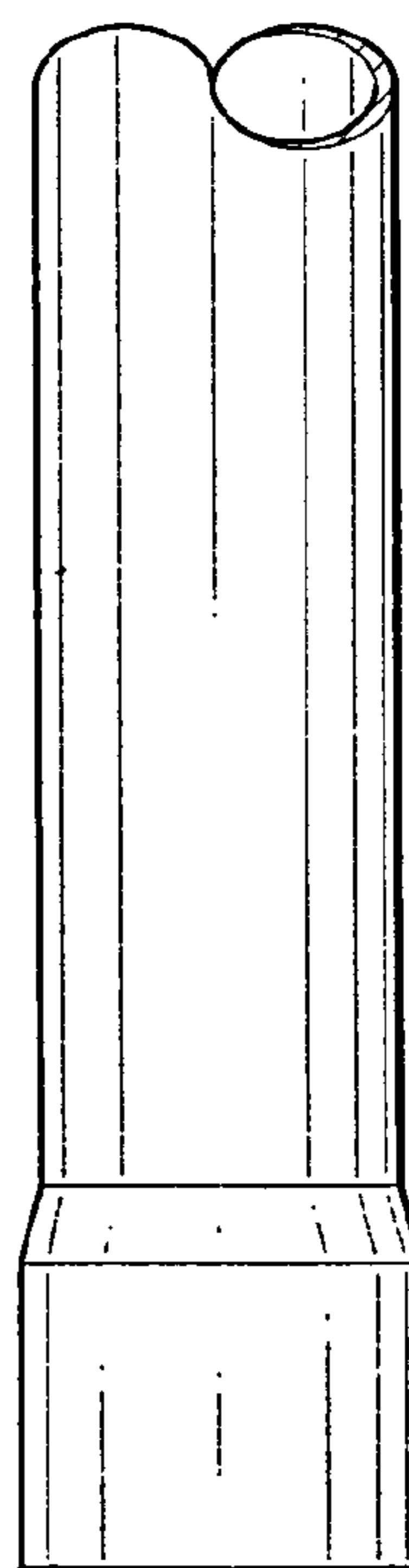
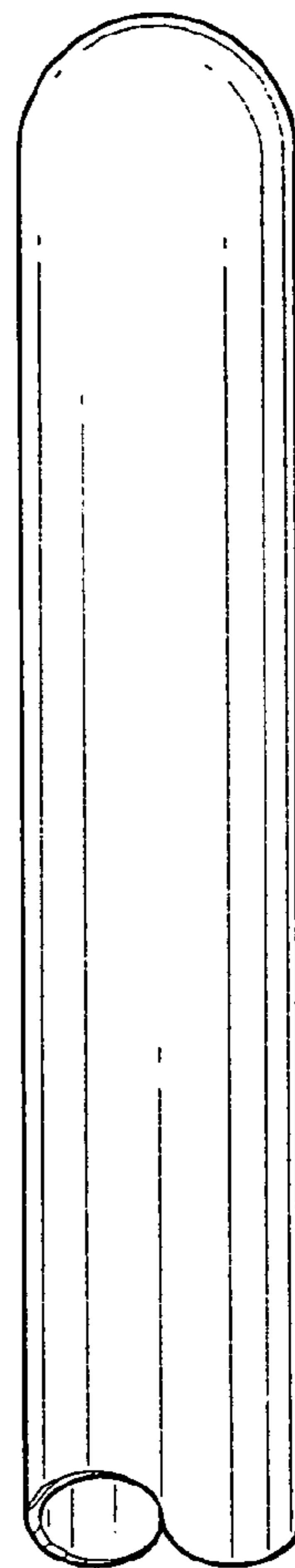


Fig. 9

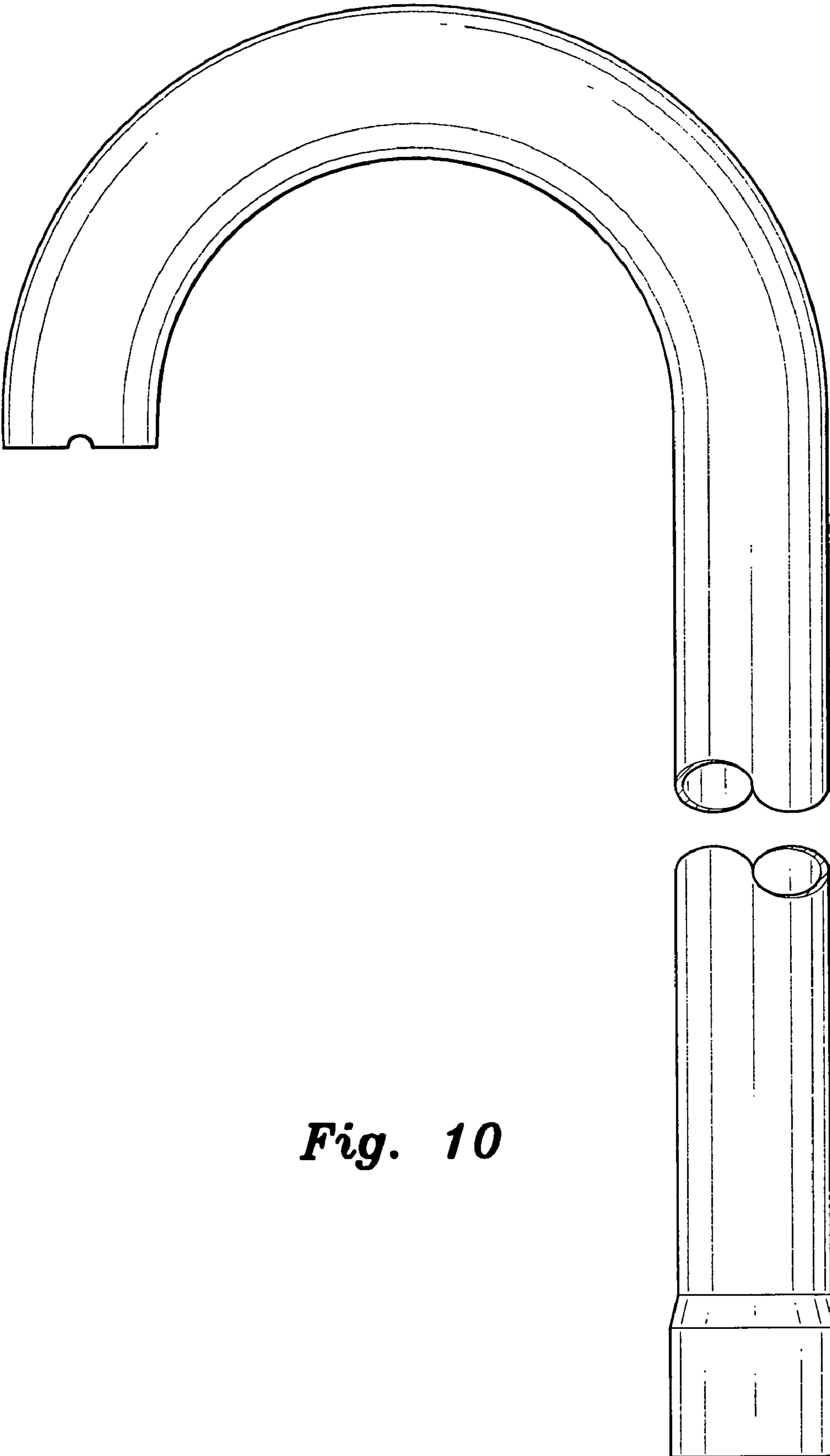


Fig. 10

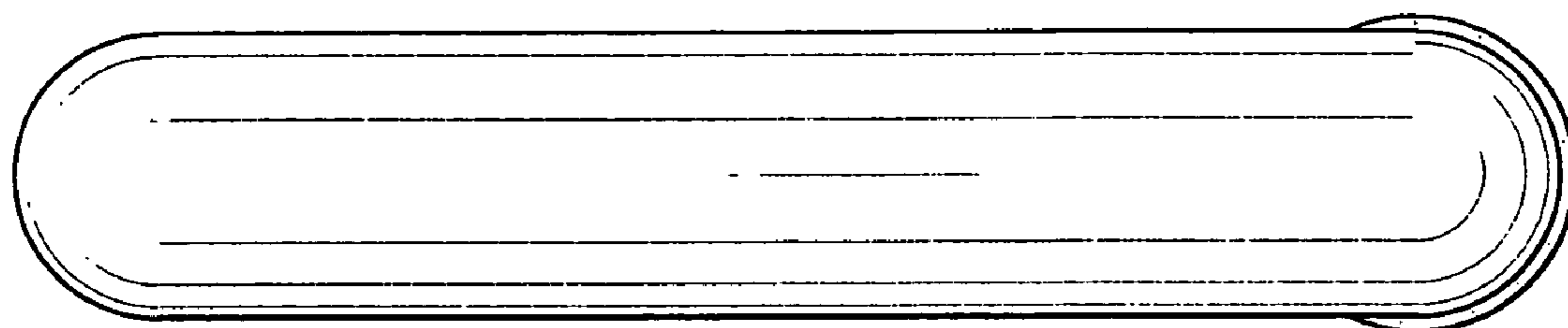


Fig. 11

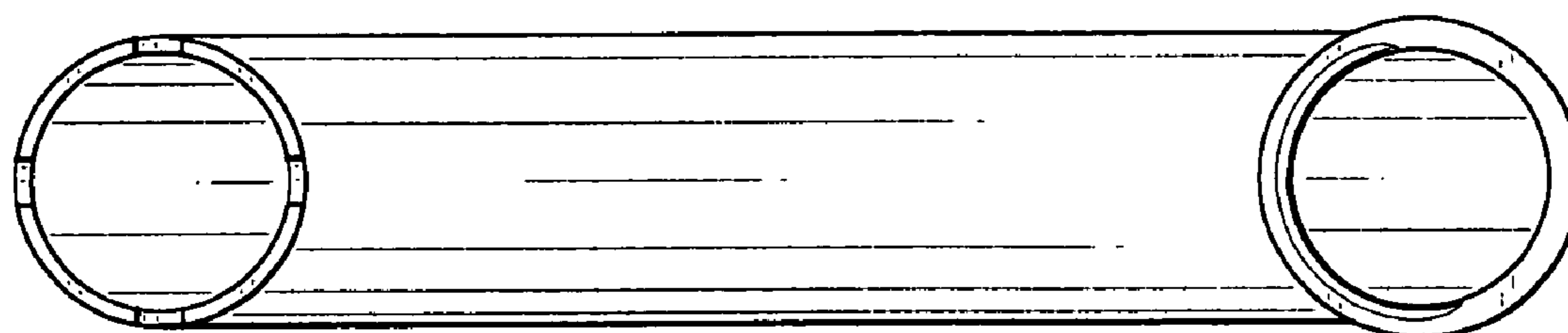


Fig. 12

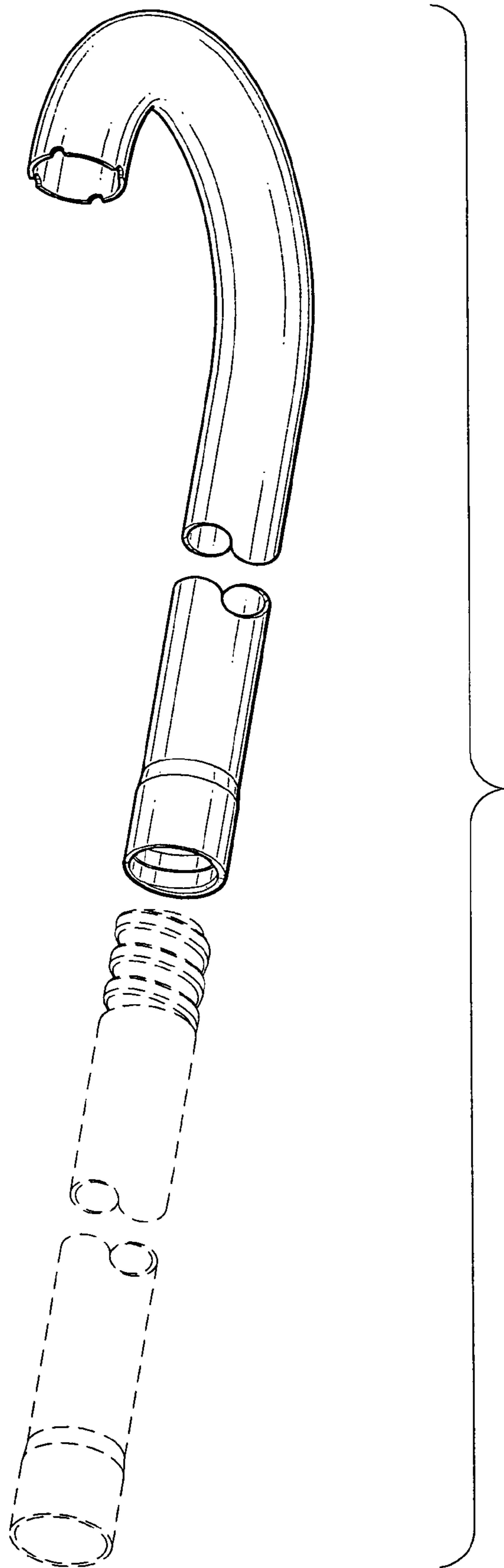


Fig. 13