



US00D622013S

(12) **United States Design Patent**
Aho

(10) **Patent No.:** **US D622,013 S**
(45) **Date of Patent:** **** Aug. 17, 2010**

(54) **PET FEEDING APPARATUS**

(75) Inventor: **Brian Aho**, Birmingham, MI (US)

(73) Assignee: **PetzPaws LLC**, Birmingham, MI (US)

(**) Term: **14 Years**

(21) Appl. No.: **29/329,432**

(22) Filed: **Dec. 15, 2008**

(51) **LOC (9) Cl.** **30-03**

(52) **U.S. Cl.** **D30/133**

(58) **Field of Classification Search** D30/133,
D30/121, 128, 130, 132; 119/52.1, 55, 61.5-61.56;
D6/480-485; 248/188; 312/204; 108/153.1-157
See application file for complete search history.

(56) **References Cited**

U.S. PATENT DOCUMENTS

D122,774 S *	10/1940	Frederick	D7/553.4
2,555,396 A *	6/1951	Cosner	119/51.5
2,659,345 A *	11/1953	Herbert	119/28.5
2,845,896 A *	8/1958	Copeland	119/51.01
3,121,419 A *	2/1964	Gillespie	119/62
3,176,656 A *	4/1965	Bates	119/62
D209,754 S	1/1968	Robert		
D213,377 S	2/1969	Robert		
3,554,165 A	1/1971	Carter		
3,651,787 A *	3/1972	Cooper	119/51.01
3,661,121 A	5/1972	Zielin		
3,899,161 A *	8/1975	McGann, Jr.	269/13
4,011,951 A	3/1977	Boyer		
4,205,629 A	6/1980	Wix		
D274,660 S *	7/1984	Williams	D6/483
D289,570 S *	4/1987	Hageney	D30/133
4,699,089 A	10/1987	Teschke		
4,798,170 A	1/1989	DePiazzy		
5,054,431 A *	10/1991	Coviello	119/61.56
D324,192 S *	2/1992	Waltel, Jr.	D11/164
5,144,912 A	9/1992	Hammitt et al.		
D335,007 S	4/1993	McPhee et al.		
5,222,990 A *	6/1993	Elliott	119/51.5
D358,233 S	5/1995	Weaver		
5,501,176 A	3/1996	Tully		

D374,517 S	10/1996	Morrill		
D377,244 S	1/1997	Steininger et al.		
D385,068 S *	10/1997	Malcolm	D30/130
5,809,933 A	9/1998	Conwell, III		
D421,160 S	2/2000	Akopdjanov		
D424,252 S *	5/2000	Hirsh	D30/130
6,145,474 A	11/2000	Lemkin		
6,145,475 A	11/2000	Jackson		
6,161,503 A	12/2000	Blas		
6,205,950 B1	3/2001	Thompson, Jr.		

(Continued)

Primary Examiner—Susan Moon Lee

(74) *Attorney, Agent, or Firm*—Honigman Miller Schwartz and Cohn LLP

(57) **CLAIM**

The ornamental design for a pet feeding apparatus, as shown and described.

DESCRIPTION

FIG. 1 is a isometric view of the pet feeding apparatus of the present invention;

FIG. 2 is a front elevational view of the pet feeding apparatus of FIG. 1;

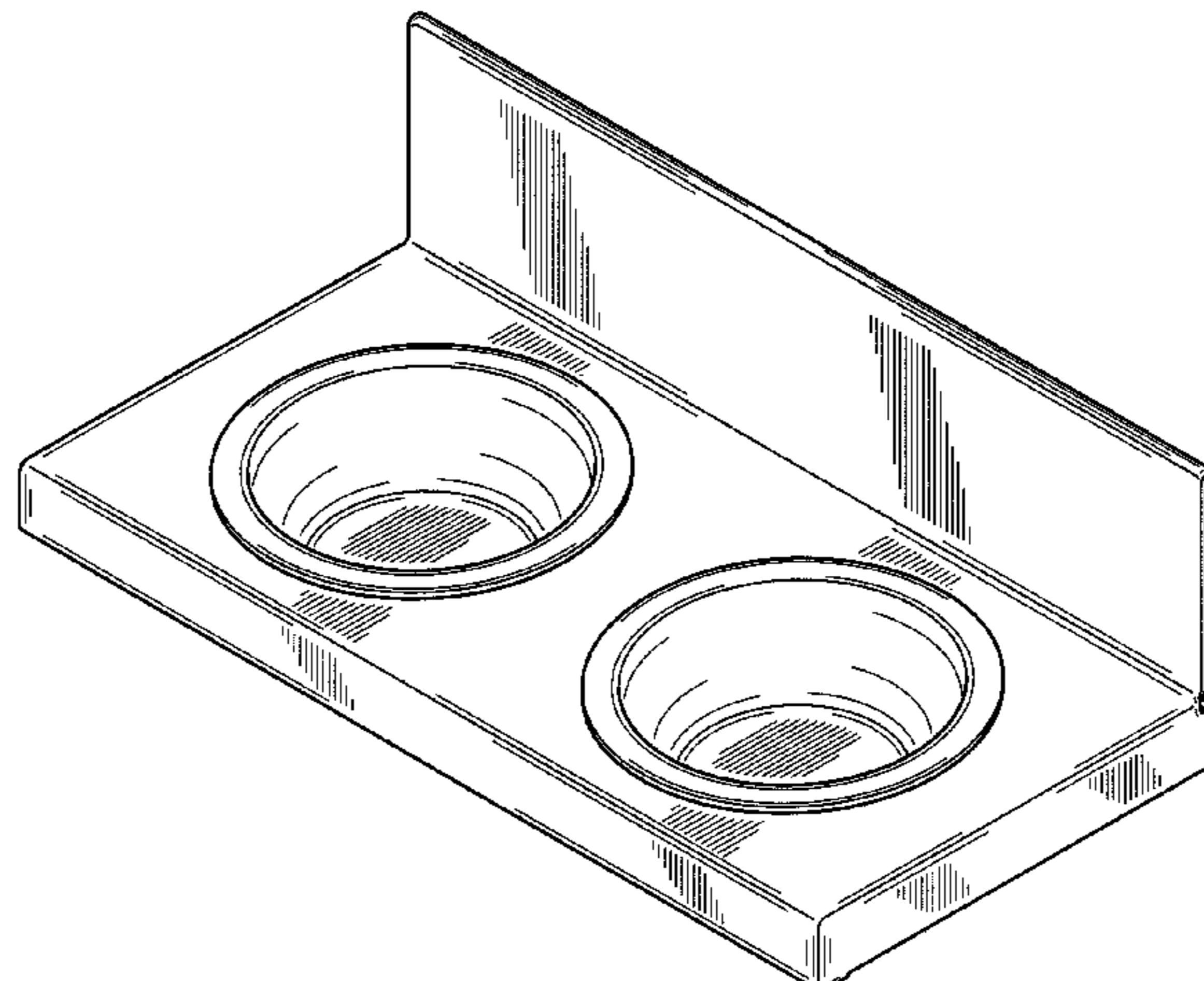
FIG. 3 is a right side elevational view of the pet feeding apparatus of FIG. 1;

FIG. 4 is a left side elevational view of the pet feeding apparatus of FIG. 1; and,

FIG. 5 is a top view of the pet feeding apparatus of FIG. 1.

The bottom and back view of the pet feeding apparatus of FIG. 1 do not form part of the claimed invention and accordingly they are not shown herein.

1 Claim, 4 Drawing Sheets



US D622,013 S

Page 2

U.S. PATENT DOCUMENTS

6,279,508	B1	8/2001	Marchant et al.	7,341,019	B1	3/2008	Tsengas
6,382,578	B2	5/2002	Azevedo	D602,652	S *	10/2009	Horvath D30/130
D478,193	S	8/2003	Routh et al.	D606,711	S *	12/2009	Becattini et al. D30/133
6,705,249	B2	3/2004	Quinlan et al.	7,665,417	B1 *	2/2010	Harper 119/51.01
D506,295	S	6/2005	Hammer et al.	2001/0035483	A1	11/2001	Azevedo
7,124,709	B1	10/2006	Greer	2003/0106498	A1	6/2003	Mersits et al.
7,207,290	B2	4/2007	Nichols	2005/0211190	A1	9/2005	Weinblatt
7,284,500	B2	10/2007	Denny et al.	2006/0042549	A1	3/2006	Bauman
7,314,023	B1	1/2008	Denny et al.	2007/0199511	A1	8/2007	Weinblatt
7,318,391	B2	1/2008	Brillon et al.	2008/0023479	A1	1/2008	Sadriwalla

* cited by examiner

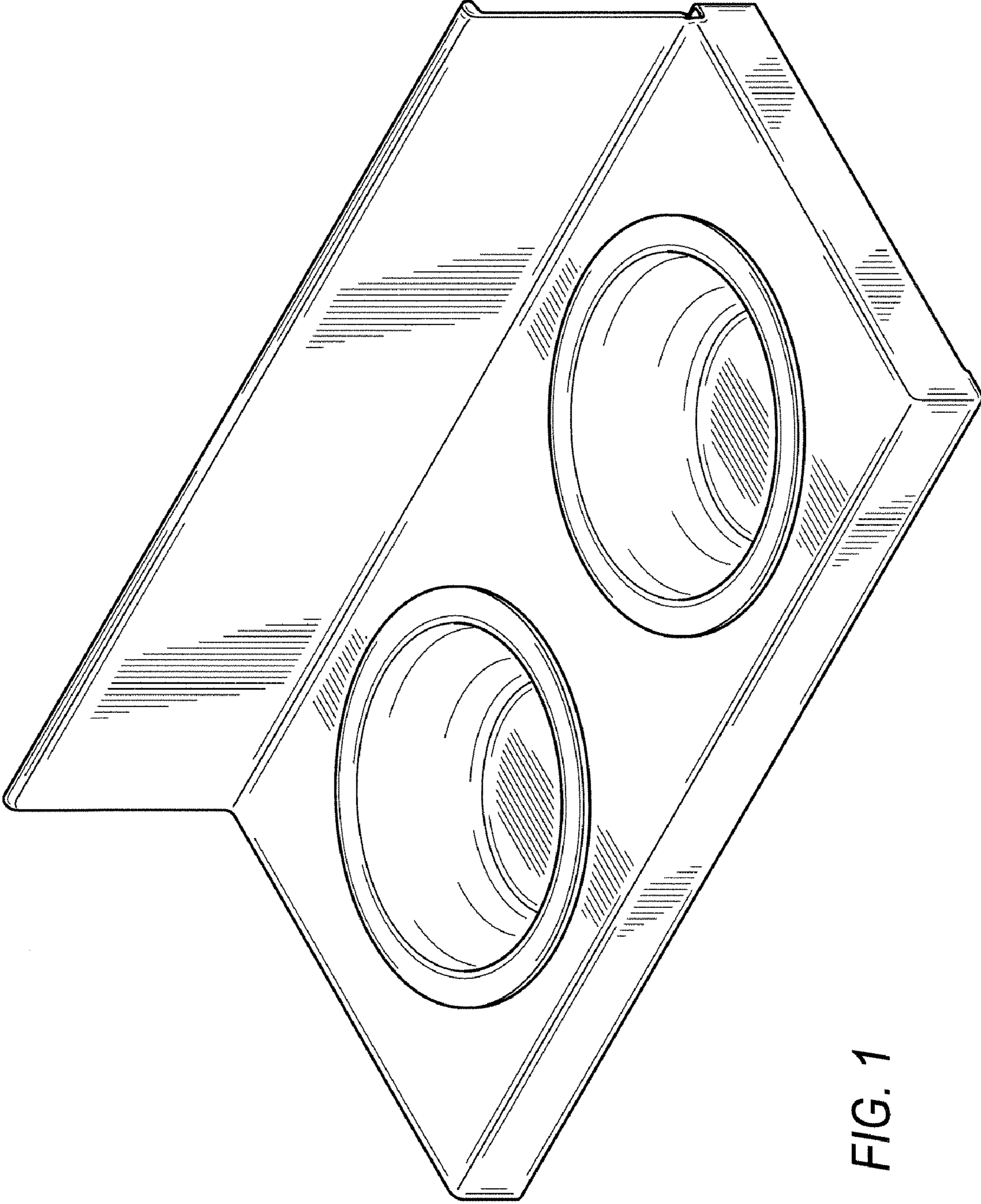


FIG. 1

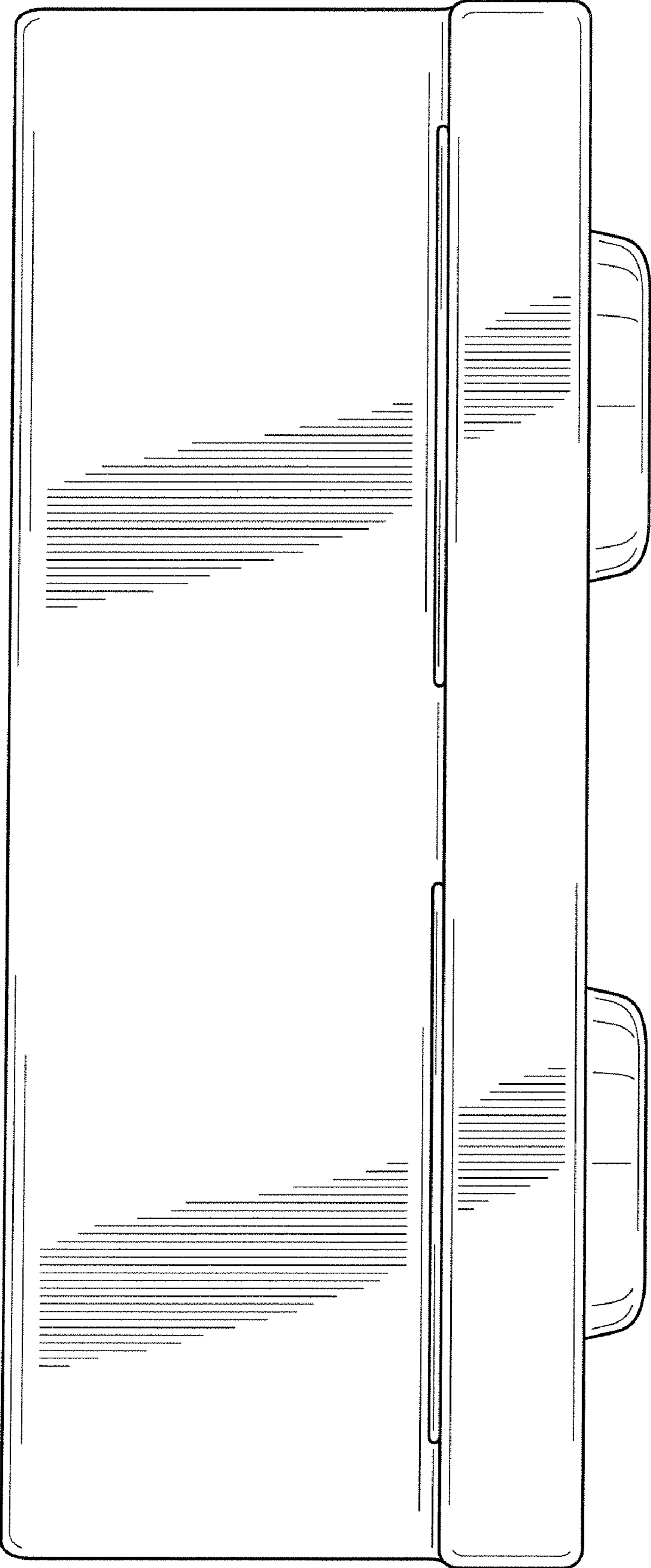


FIG. 2

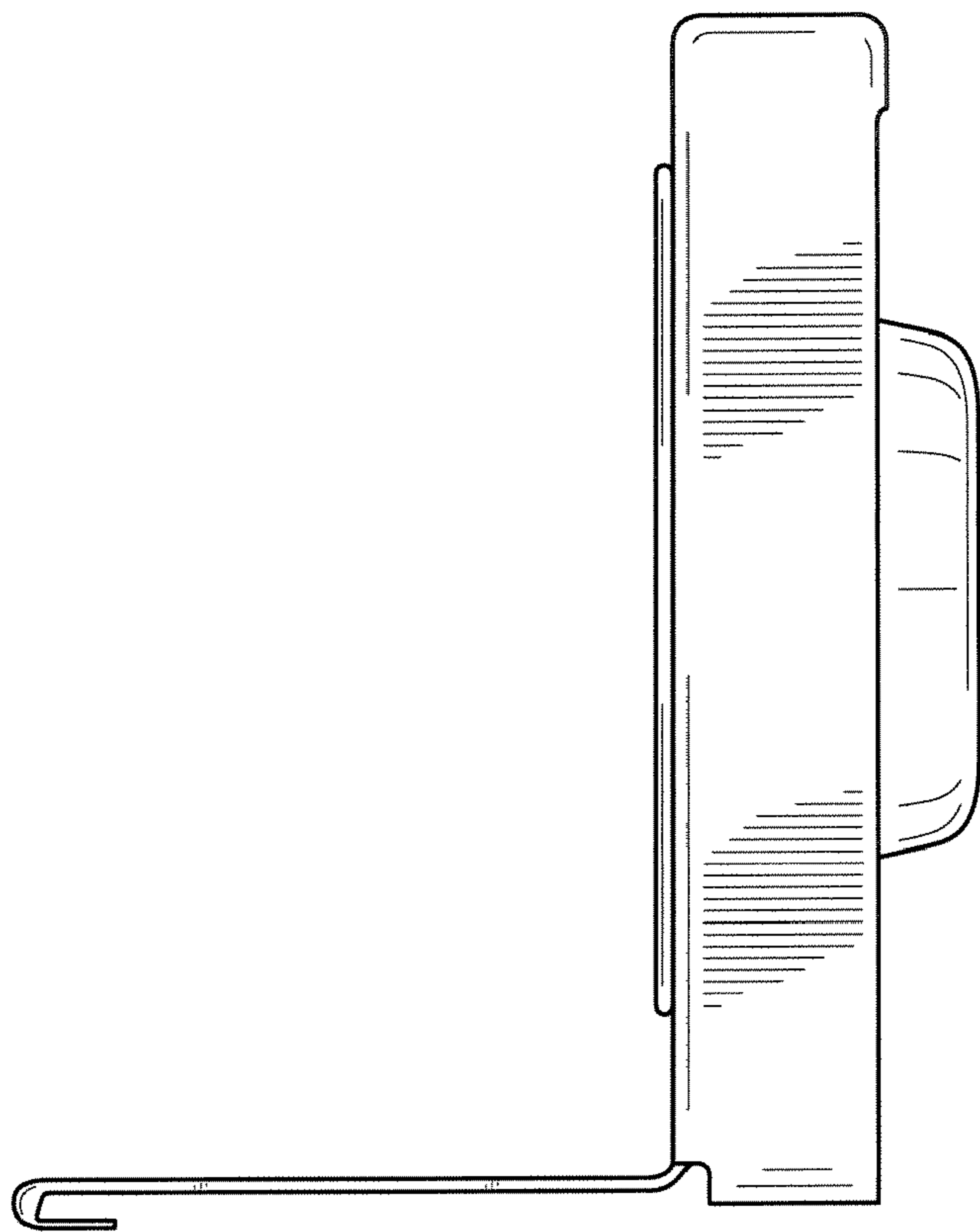


FIG. 4

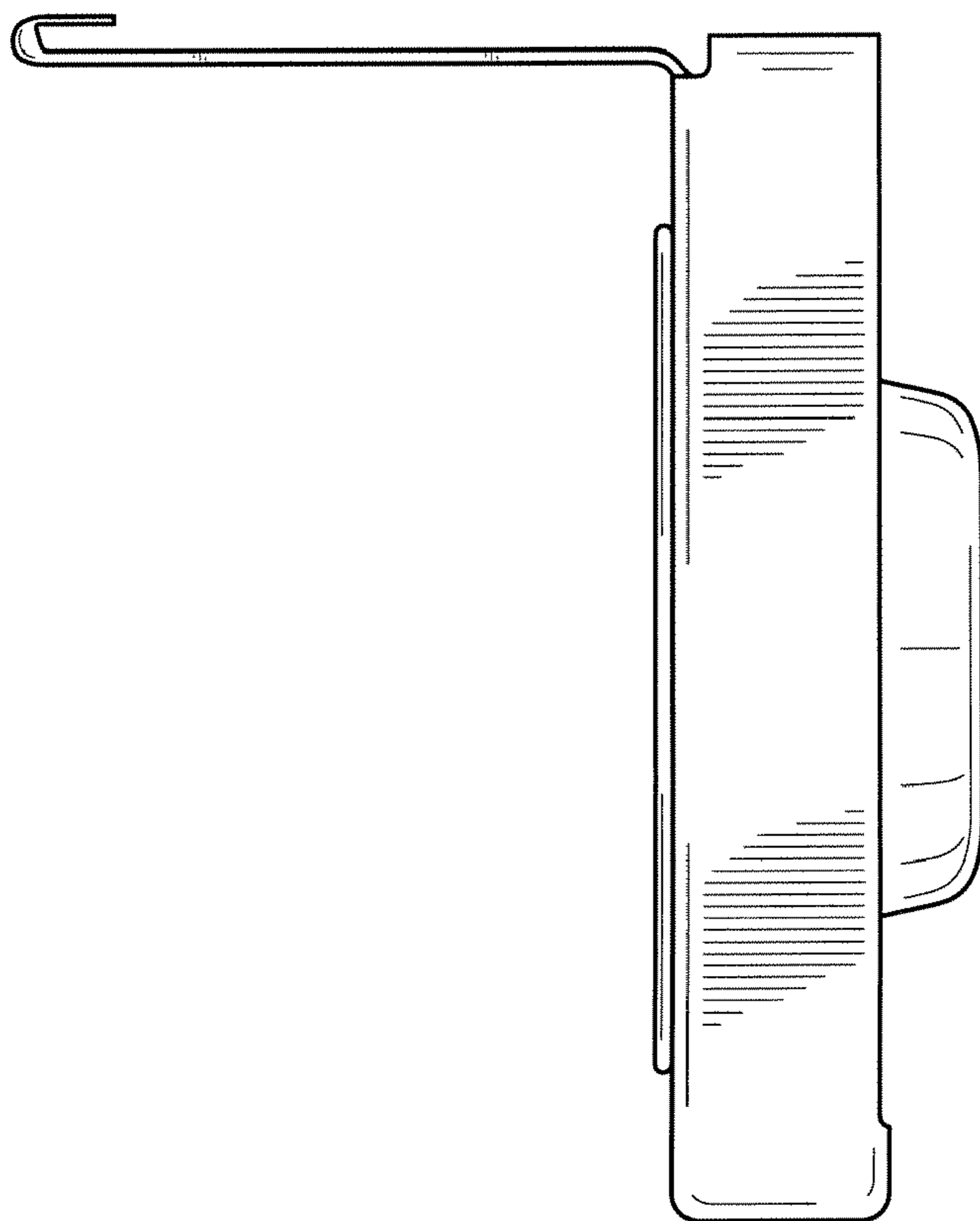


FIG. 3

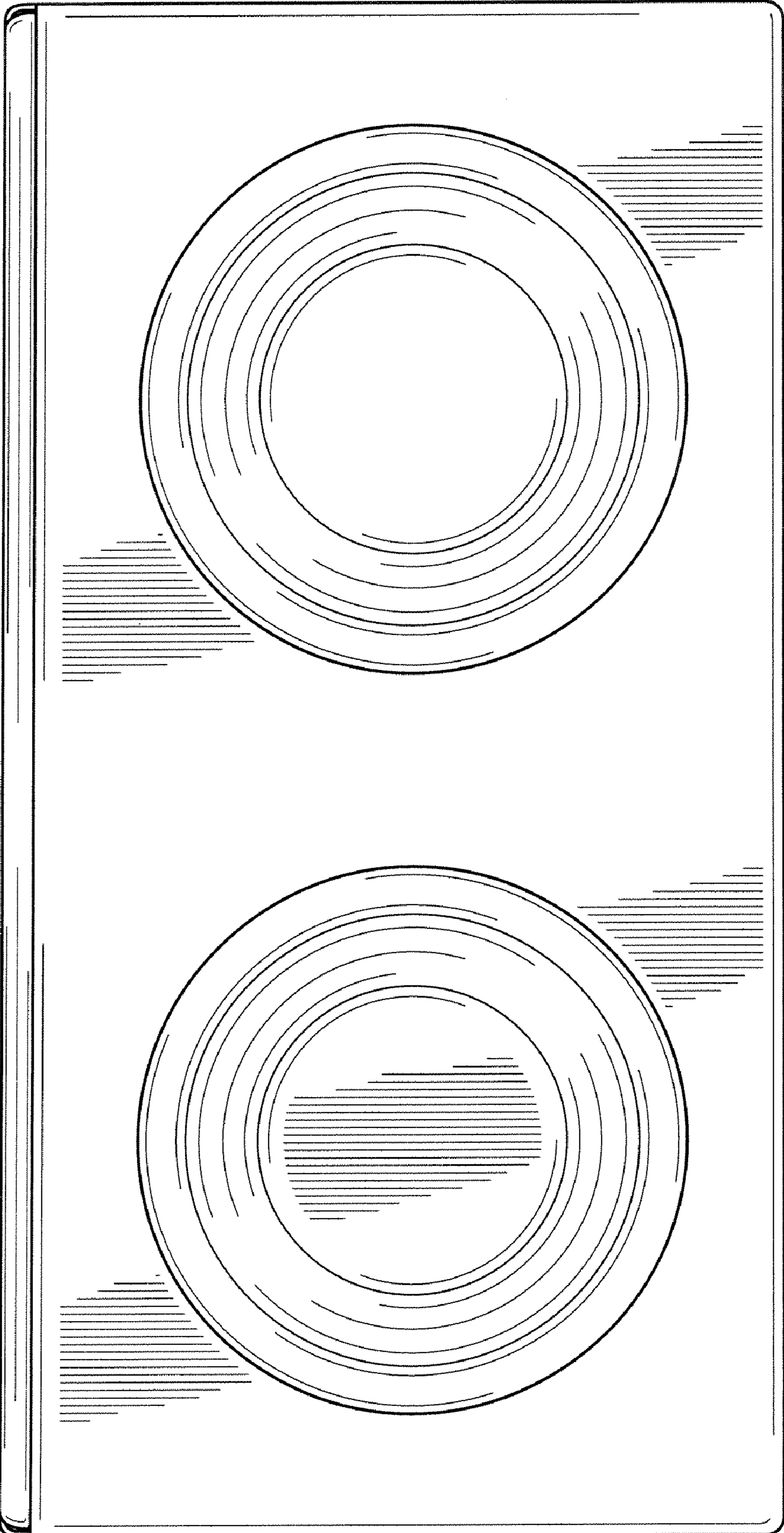


FIG. 5