



US00D622012S

(12) **United States Design Patent**  
**Lorenzana et al.**

(10) **Patent No.:** **US D622,012 S**  
(45) **Date of Patent:** **\*\* Aug. 17, 2010**

(54) **FEEDING DISH FOR MULTIPLE PETS**

(57) **CLAIM**

(76) Inventors: **Moises B. Lorenzana**, 190 Kendall Point Dr., Oswego, IL (US) 60543;  
**Vance A. Lorenzana**, 73 Chippewa Dr., Oswego, IL (US) 60543

The ornamental design for a feeding dish for multiple pets, as shown and described.

(\*\*) Term: **14 Years**

**DESCRIPTION**

(21) Appl. No.: **29/354,970**

FIG. 1 is a top perspective view of a feeding dish for multiple pets;

(22) Filed: **Feb. 1, 2010**

FIG. 2 is a front elevational view of the feeding dish;

(51) **LOC (9) Cl.** ..... **30-03**

FIG. 3 is a back elevational view of the feeding dish;

(52) **U.S. Cl.** ..... **D30/131; D30/129; D30/130; D30/133**

FIG. 4 is a left end elevational view of the feeding dish;

(58) **Field of Classification Search** ..... **D30/133, D30/121, 128, 130, 132, 122, 129; 119/52.1, 119/55, 61.5-61.56, 51.01, 51.03, 59, 62, 119/63, 51.5, 57.8, 74, 61; D6/480-485; 248/188, 151; 312/204; 108/153.1-157; 220/23.87, 630, 737, 743, 9.4, 495.01, 574, 220/212, 255, 23.83, 575; 206/515; D7/586, D7/543, 550.1, 587, 505, 584, 545, 500, 553.1-553.8, D7/546, 555, 556, 504, 565, 562, 602, 507, D7/549, 558, 552.2, 560, 566, 548, 681; D9/429; 43/109; D22/122; 99/430, DIG. 15**  
See application file for complete search history.

FIG. 5 is a right end elevational view of the feeding dish;

FIG. 6 is a top plan view of the feeding dish;

FIG. 7 is a bottom plan view of the feeding dish;

FIG. 8 is a top perspective view of an individual deep feeding bowl shown separately for clarity;

FIG. 9 is a front elevational view of the deep feeding bowl component in which the left end, right end and back elevational views are identical thereto;

FIG. 10 is a top plan view of the deep feeding bowl;

FIG. 11 is a bottom plan view of the deep feeding bowl;

FIG. 12 is a top perspective view of an individual shallow feeding bowl shown separately for clarity;

FIG. 13 is a front elevational view of the shallow feeding bowl in which the left end, right end, and back elevational views are identical thereto;

FIG. 14 is a top plan view of the shallow feeding bowl; and,

FIG. 15 is a bottom plan view of the shallow feeding bowl.

The broken line showing of a water supply bottle is not claimed.

(56) **References Cited**

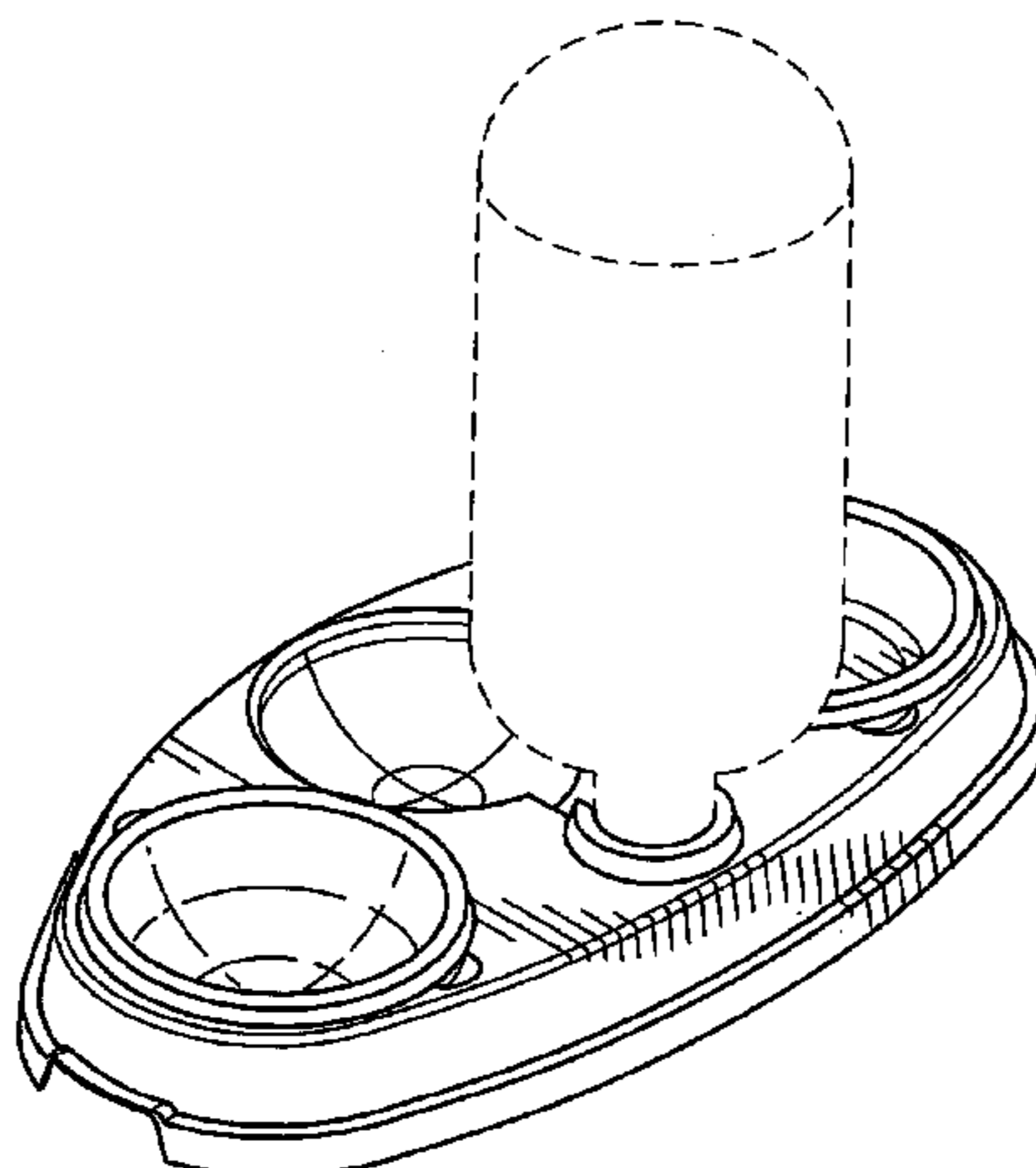
**U.S. PATENT DOCUMENTS**

1,533,627 A \* 4/1925 Averill ..... 222/586  
D138,103 S \* 6/1944 Setzer ..... D30/131  
D232,847 S \* 9/1974 Okubo ..... D30/121

(Continued)

*Primary Examiner*—Susan Moon Lee  
(74) *Attorney, Agent, or Firm*—Patnaude & Videbeck

**1 Claim, 9 Drawing Sheets**



# US D622,012 S

Page 2

---

## U.S. PATENT DOCUMENTS

4,573,434	A *	3/1986	Gardner	119/77	D367,736	S *	3/1996	Goetz	D30/130
4,840,143	A *	6/1989	Simon	119/52.1	D374,109	S *	9/1996	Lillelund et al.	D30/121
D313,488	S *	1/1991	Conner	D30/130	D374,516	S *	10/1996	Lillelund et al.	D30/132
D335,197	S *	4/1993	Strickland	D30/132	5,560,316	A *	10/1996	Lillelund et al.	119/61.5
D336,555	S *	6/1993	Goetz	D30/131	5,730,082	A *	3/1998	Newman	119/51.5
5,259,336	A *	11/1993	Clark	119/51.5	D467,045	S *	12/2002	Tsengas	D30/130
D353,232	S *	12/1994	Chrisco	D30/130	D511,593	S *	11/2005	Ebesu	D30/130
5,423,291	A *	6/1995	Daugherty	119/77	D540,492	S *	4/2007	Gorr	D30/131
D365,668	S *	12/1995	Lorenzana et al.	D30/130	D597,262	S *	7/2009	Shamoon et al.	D30/130
					2010/0024735	A1 *	2/2010	Ho	119/51.5

\* cited by examiner

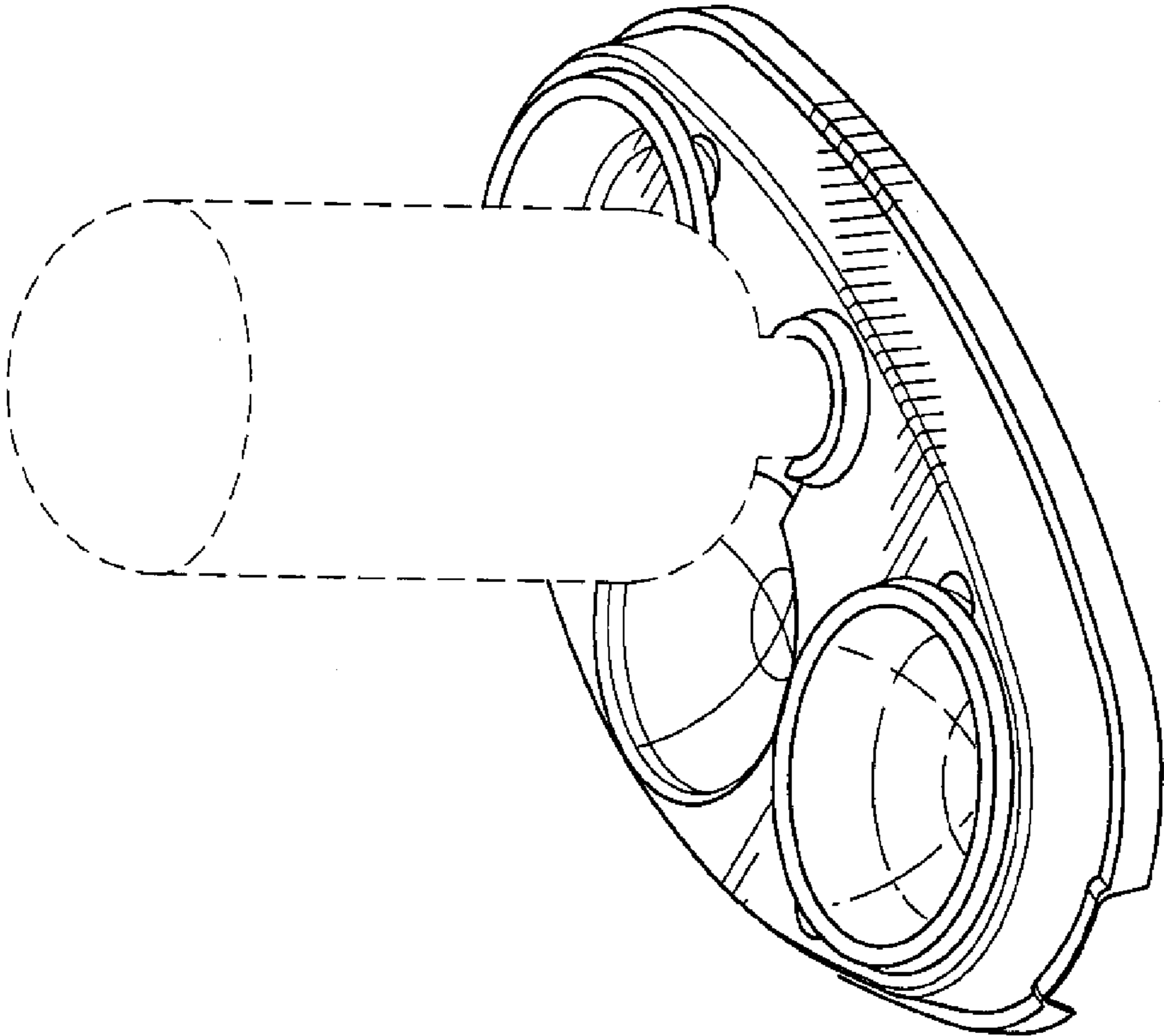


FIG. 1

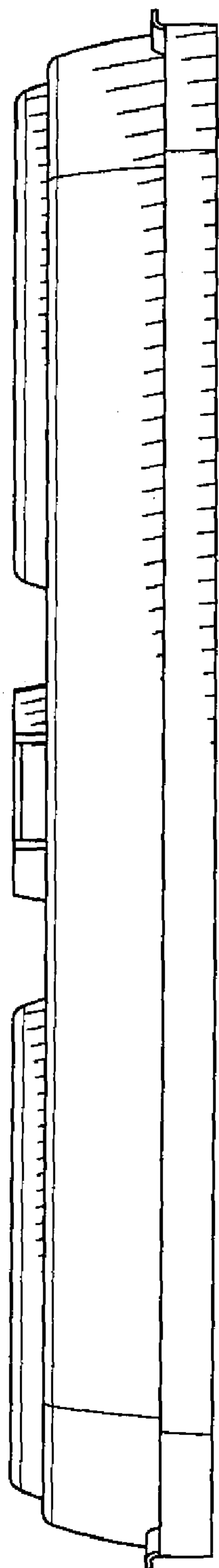


FIG. 2

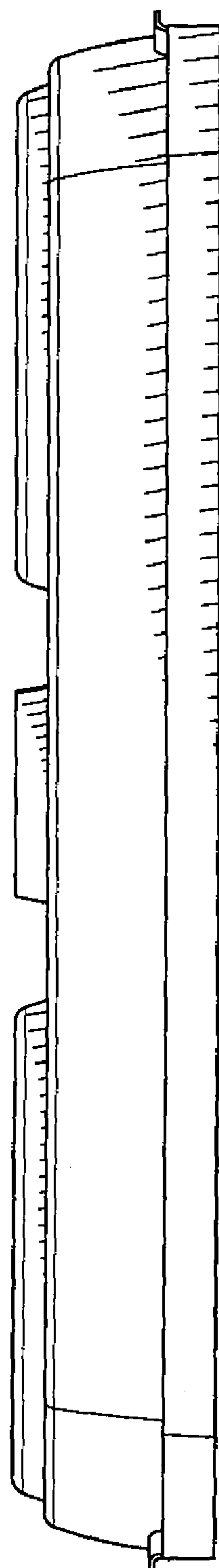


FIG. 3

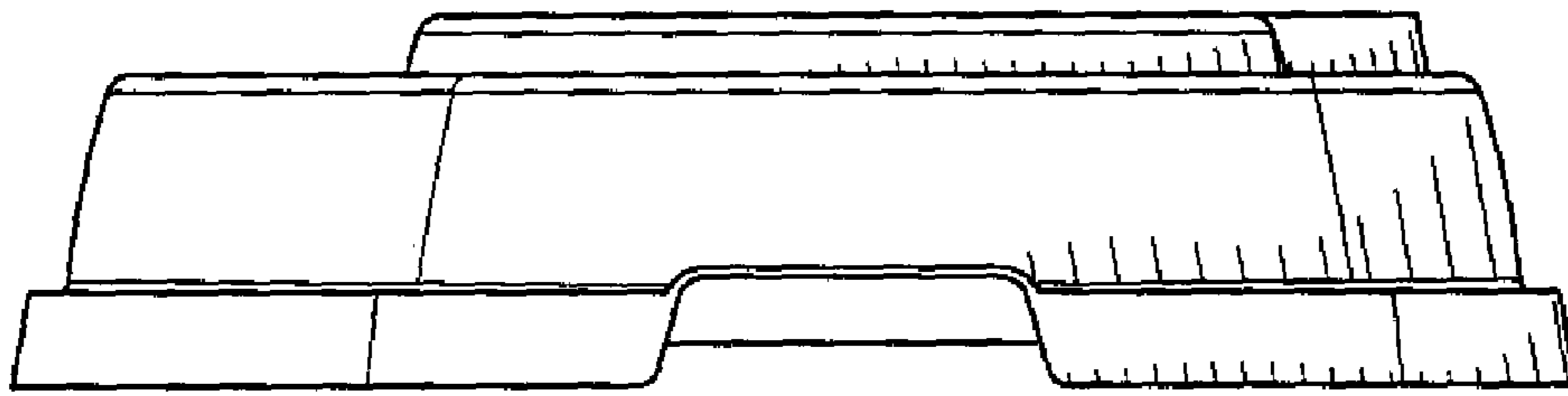


FIG. 4

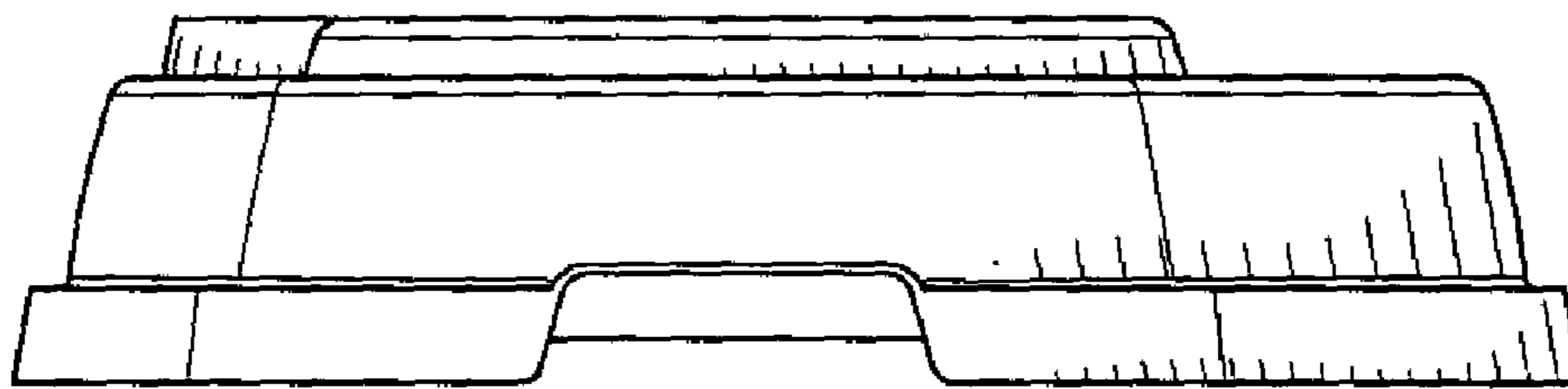


FIG. 5

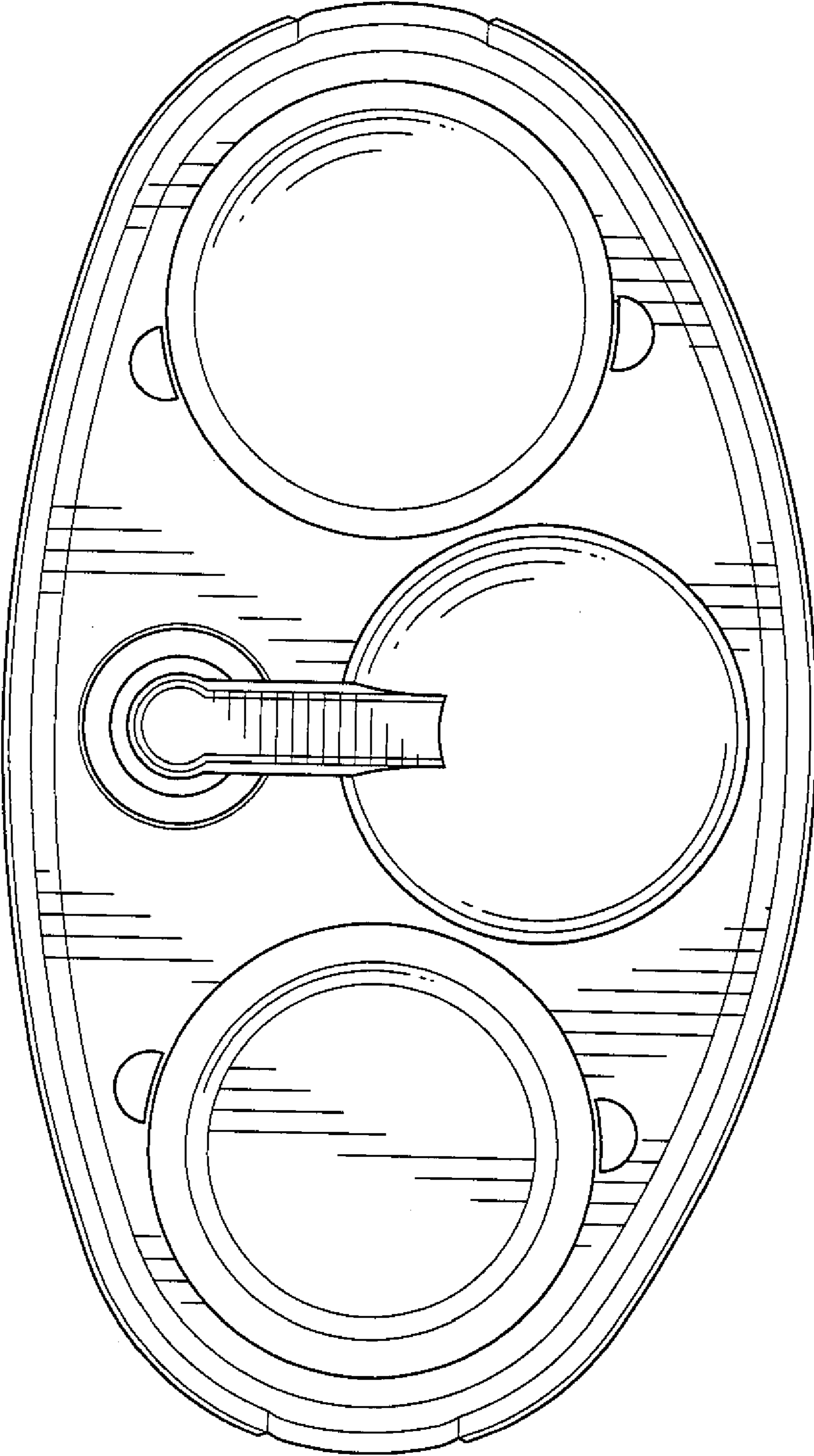


FIG. 6

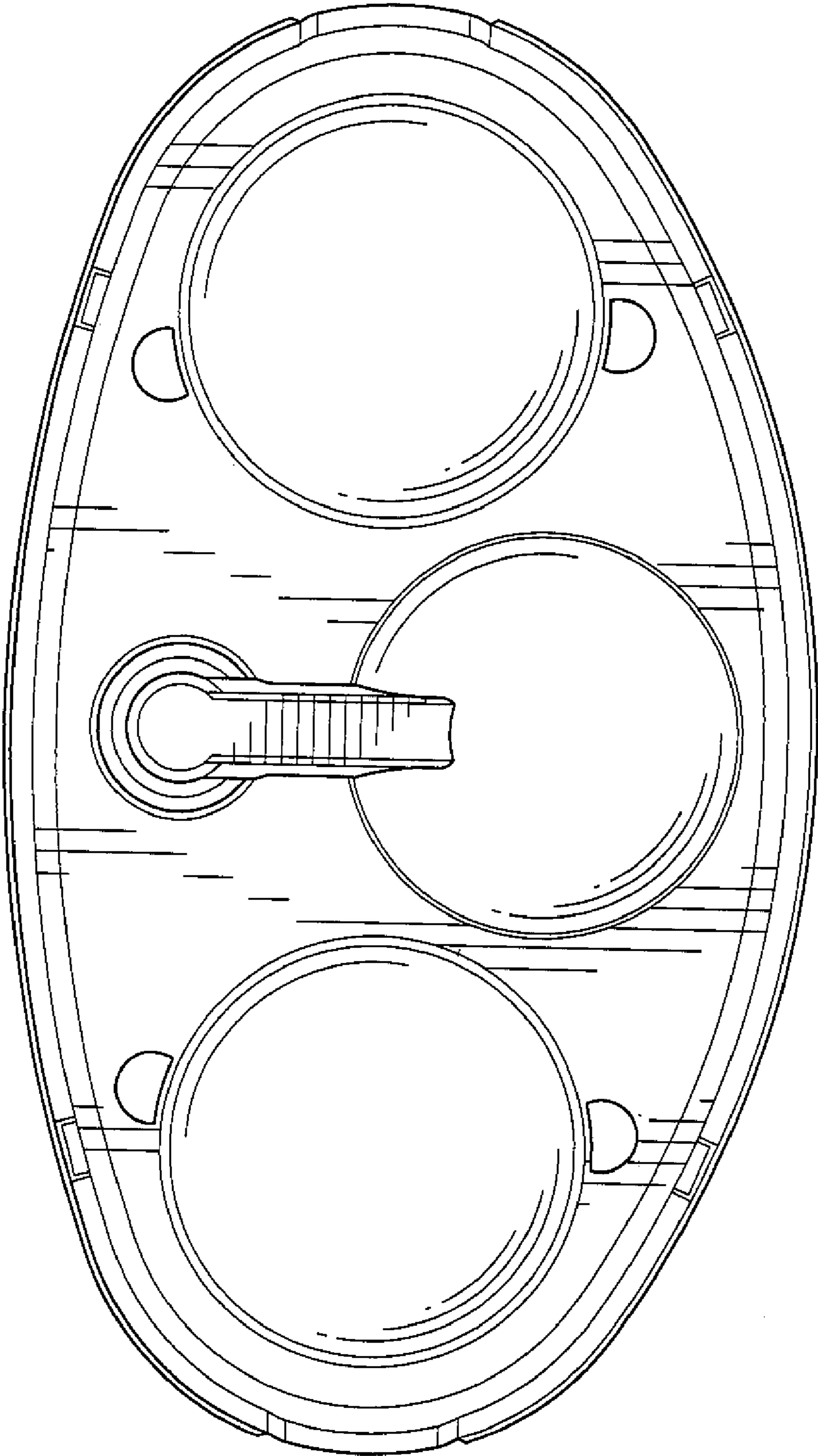


FIG. 7

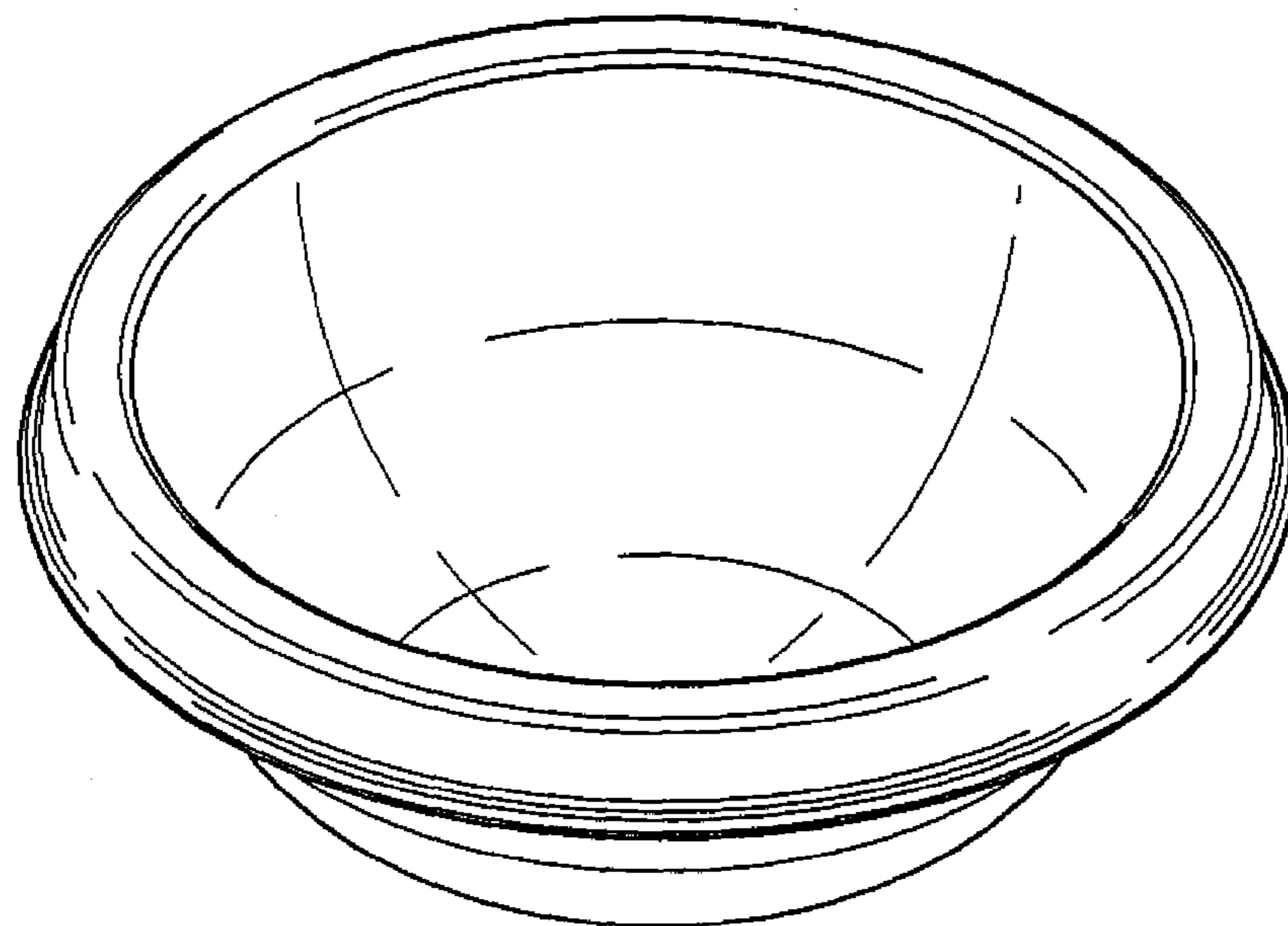


FIG. 8

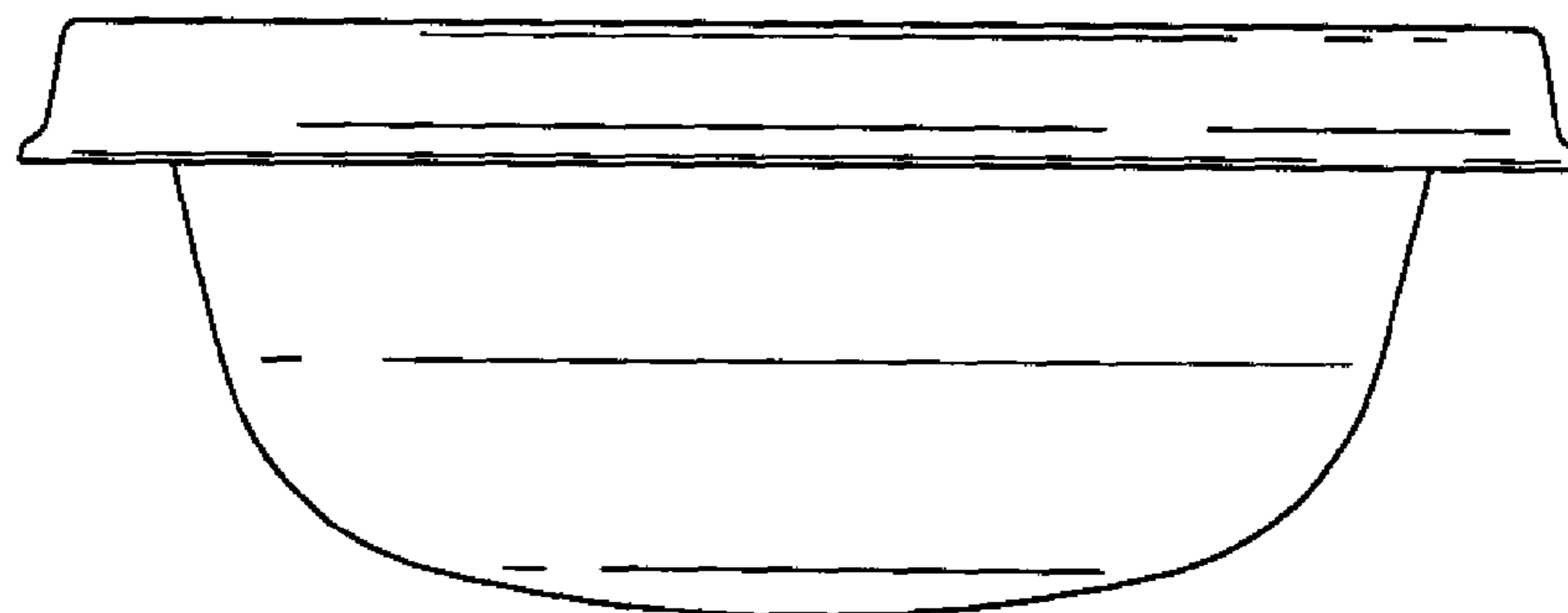


FIG. 9



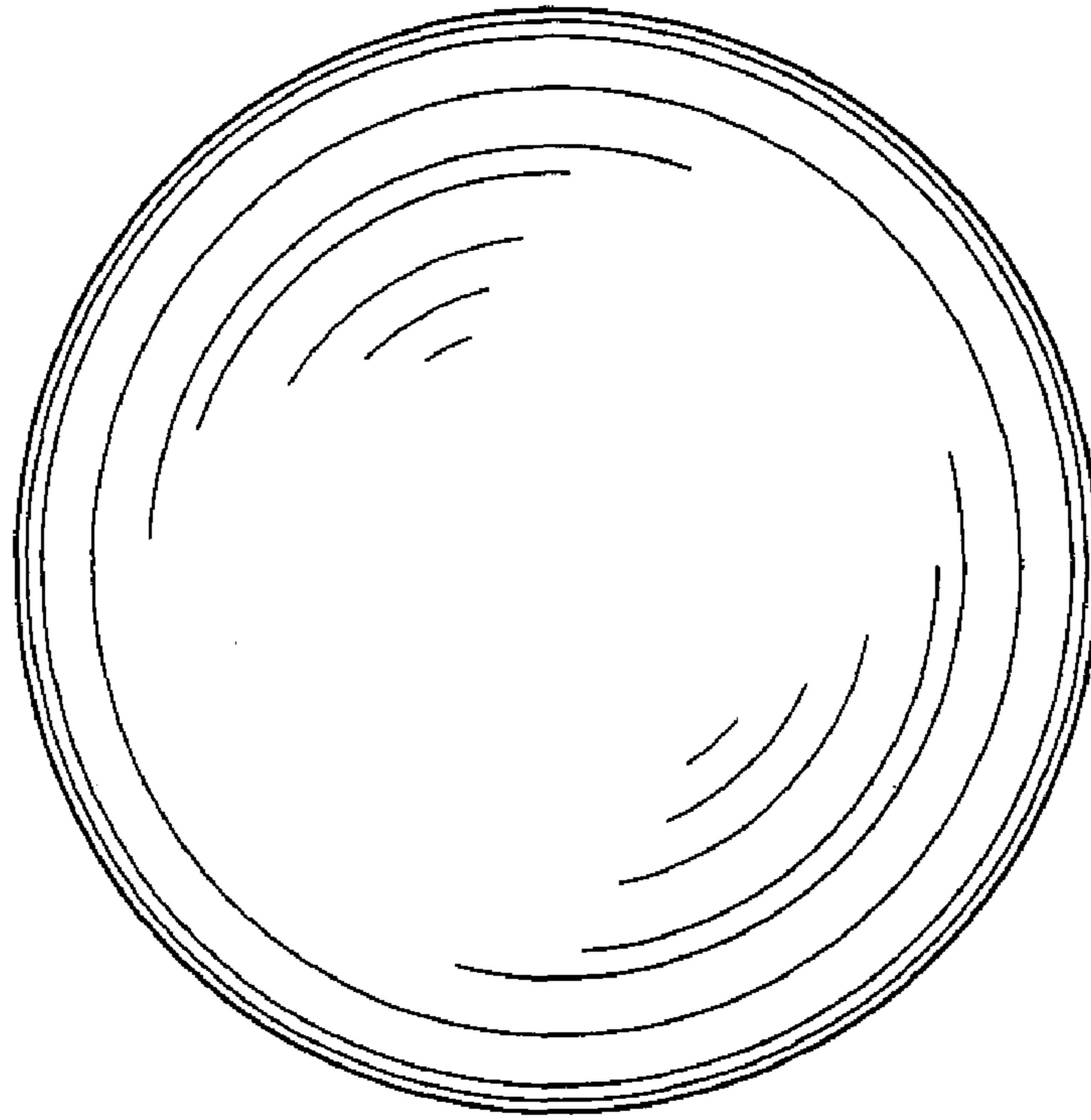


FIG. 10

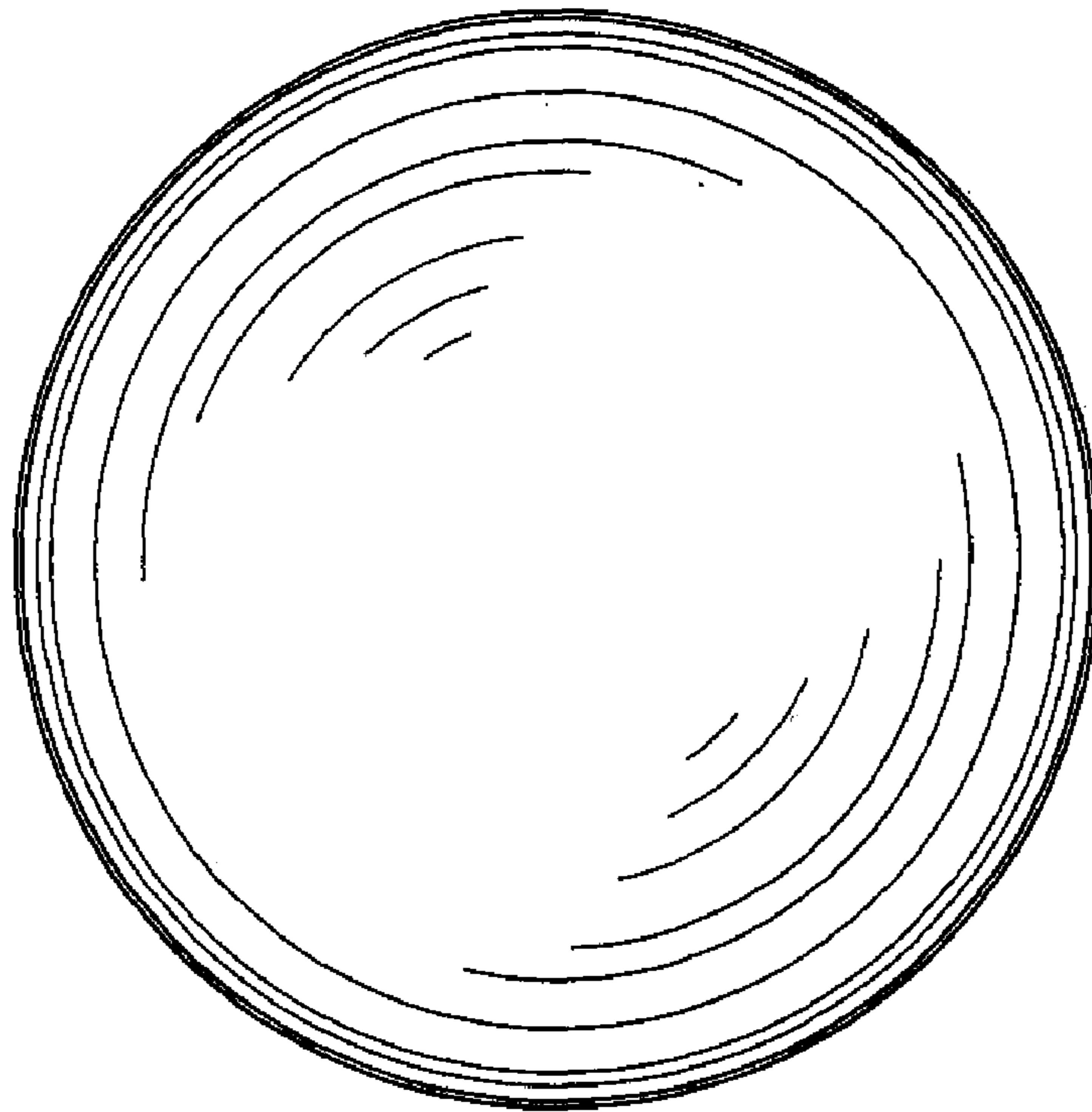


FIG. 11

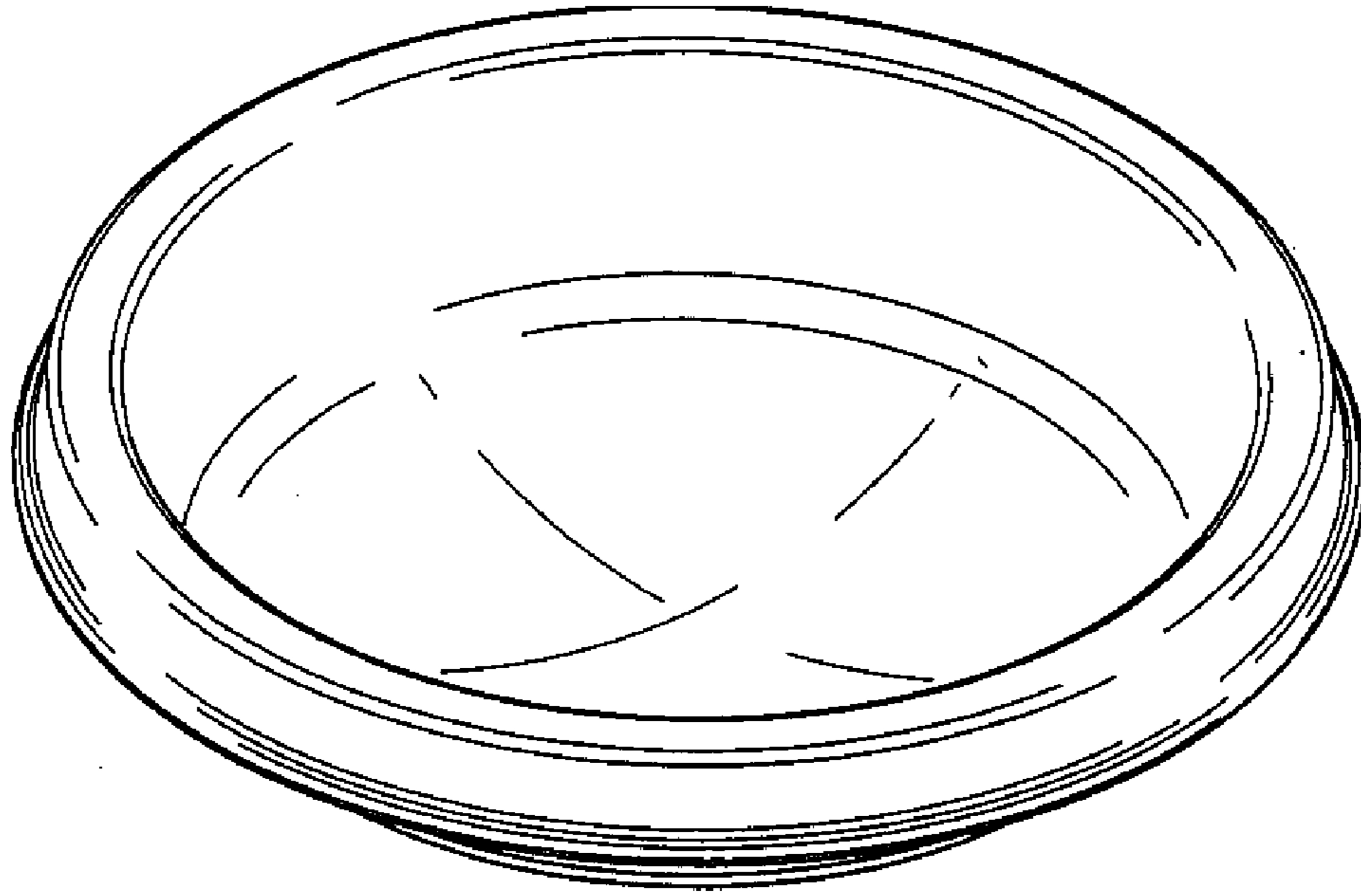


FIG. 12

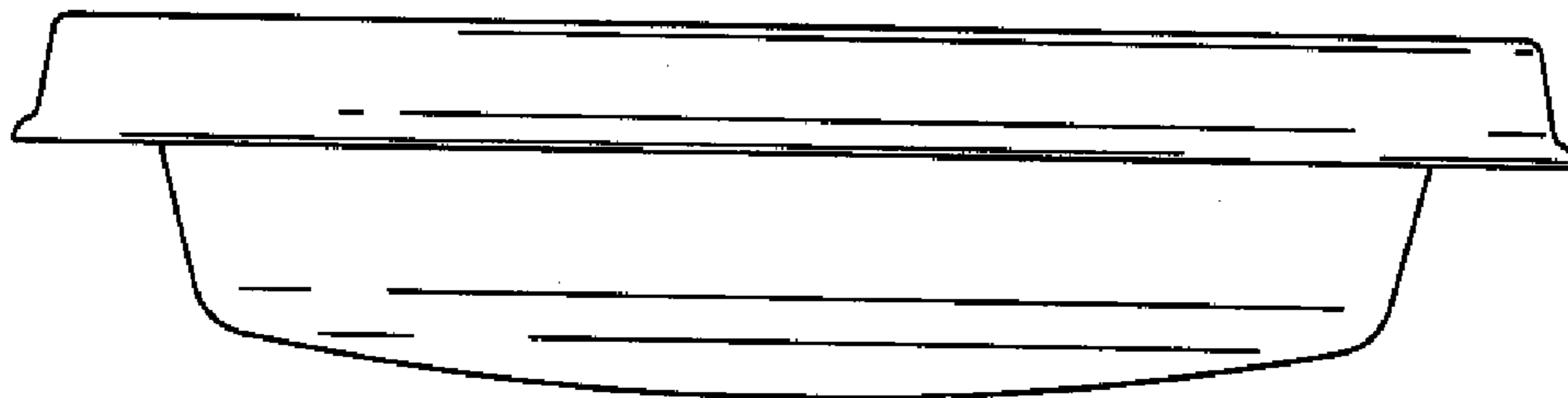


FIG. 13

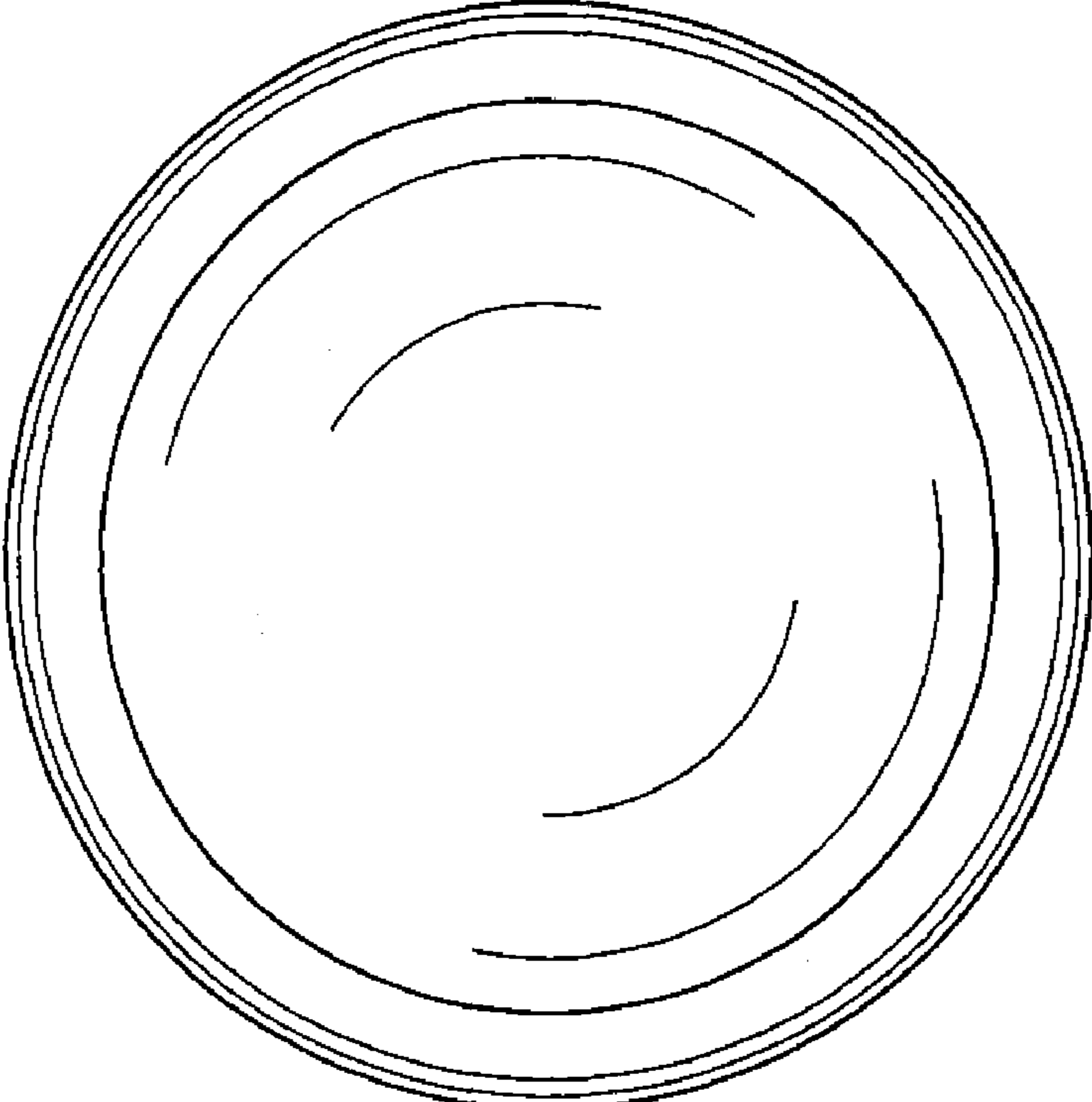


FIG. 14

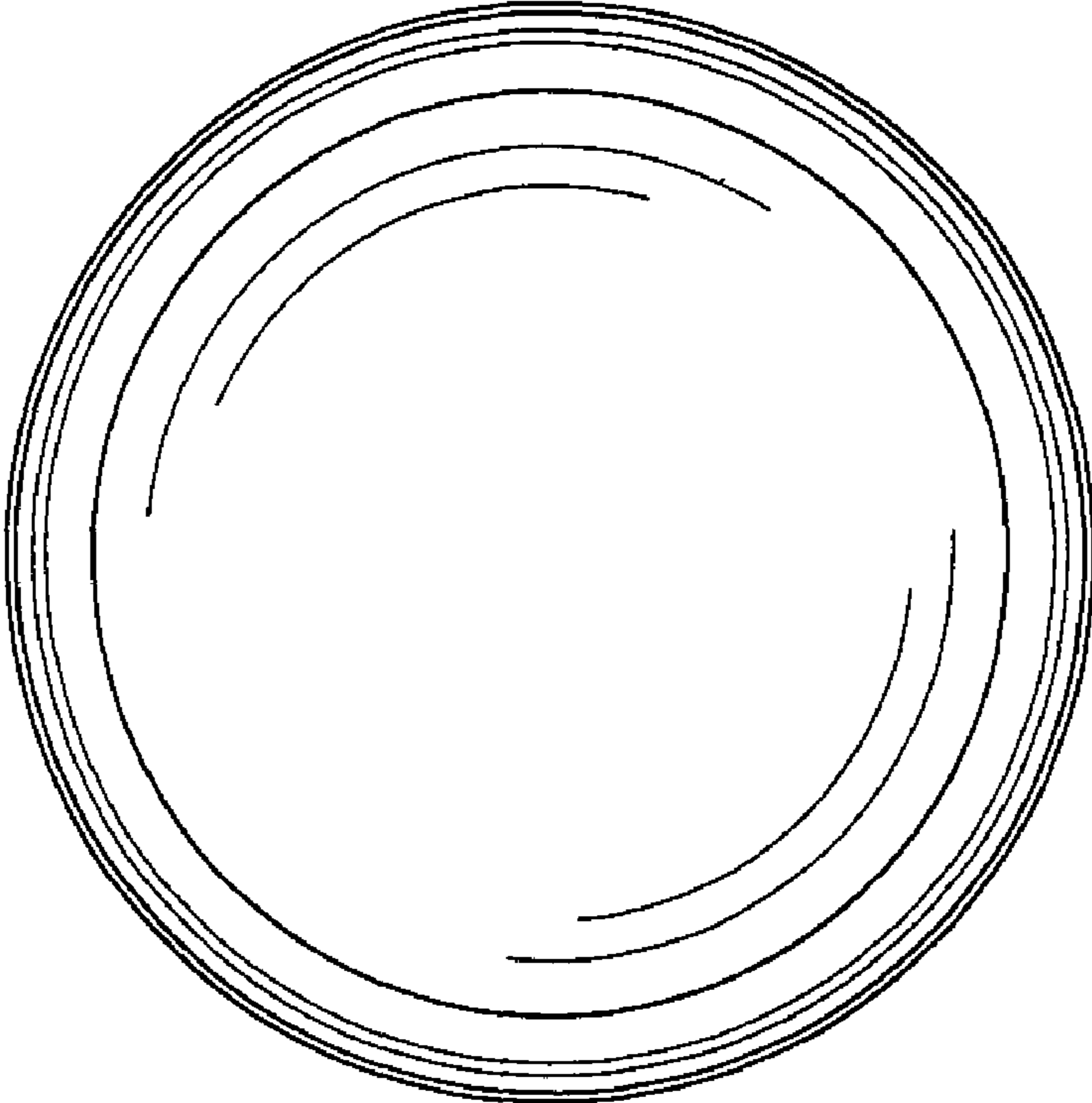


FIG. 15