



US00D622011S

(12) **United States Design Patent**
Yowell

(10) **Patent No.:** **US D622,011 S**
(45) **Date of Patent:** **** Aug. 17, 2010**

(54) **ANTI-TIPPING HOLDER WITH ANIMAL FEEDER JAR**

(75) Inventor: **Donald H. Yowell**, Bethlehem, PA (US)

(73) Assignee: **Dyets, Inc.**, Bethlehem, PA (US)

(**) Term: **14 Years**

(21) Appl. No.: **29/345,496**

(22) Filed: **Oct. 16, 2009**

Related U.S. Application Data

(62) Division of application No. 11/846,176, filed on Aug. 28, 2007, now abandoned.

(51) **LOC (9) Cl.** **30-03**

(52) **U.S. Cl.** **D30/129**

(58) **Field of Classification Search** D30/121, D30/122, 129-133; 119/61.5, 51.01, 61.56, 119/51.03, 59, 62, 63, 51.5, 57.8, 74, 61.54, 119/61.55; 312/204; 248/151, 188; 108/156, 108/153.1-157; 220/23.87, 630, 737, 743, 220/9.4, 495.01, 574, 212, 255, 23.83; 206/515; D7/586, 543, 550.1, 587, 505, 584, 545, 500, D7/553.1-553.8, 546, 555, 556, 504, 565, D7/562, 602; D9/429; 43/109; D22/122; 99/430, DIG. 15

See application file for complete search history.

(56) **References Cited**

U.S. PATENT DOCUMENTS

- 2,752,995 A * 7/1956 Dodge 119/51.12
- 2,813,509 A 11/1957 Bruno
- 3,076,435 A * 2/1963 Seymour 119/77
- D205,656 S * 9/1966 Robert D30/133
- 3,455,280 A 7/1969 Keene
- 3,527,192 A * 9/1970 Thomas 119/61.5
- 3,585,050 A 6/1971 Chlystun
- 3,745,977 A * 7/1973 Martin 119/73
- 3,759,228 A * 9/1973 Keen 119/79
- D236,064 S * 7/1975 Balbo D7/558
- 3,935,837 A * 2/1976 Mulhern 119/51.12

- 3,965,868 A 6/1976 Hunziker, Jr.
- 3,991,719 A * 11/1976 Bruce 119/61.5
- 4,015,945 A * 4/1977 Frankel et al. 422/224
- D248,077 S 6/1978 Daenen
- 4,227,362 A * 10/1980 Wallsten 53/447
- 4,286,546 A * 9/1981 Moore 119/61.54
- 4,343,262 A 8/1982 Hunziker, Jr.
- 4,436,056 A * 3/1984 MacLeod 119/72
- D279,175 S * 6/1985 Eklof D11/164
- 4,576,301 A * 3/1986 Tedder 220/571
- D287,772 S * 1/1987 Stewart D30/129
- 4,762,087 A * 8/1988 Henecke 119/61.56
- 5,133,293 A * 7/1992 Boozer 119/61.57
- 5,209,184 A * 5/1993 Sharkan et al. 119/61.56
- 5,230,301 A 7/1993 Nass
- 5,297,504 A * 3/1994 Carrico 119/61.54
- D351,263 S * 10/1994 Evans D30/129
- 5,499,609 A 3/1996 Evans et al.
- 5,524,823 A * 6/1996 Miller 239/29
- D382,377 S 8/1997 Rothert
- D383,571 S * 9/1997 Frodsham D30/132

(Continued)

Primary Examiner—Susan Moon Lee
(74) *Attorney, Agent, or Firm*—James R. Bell

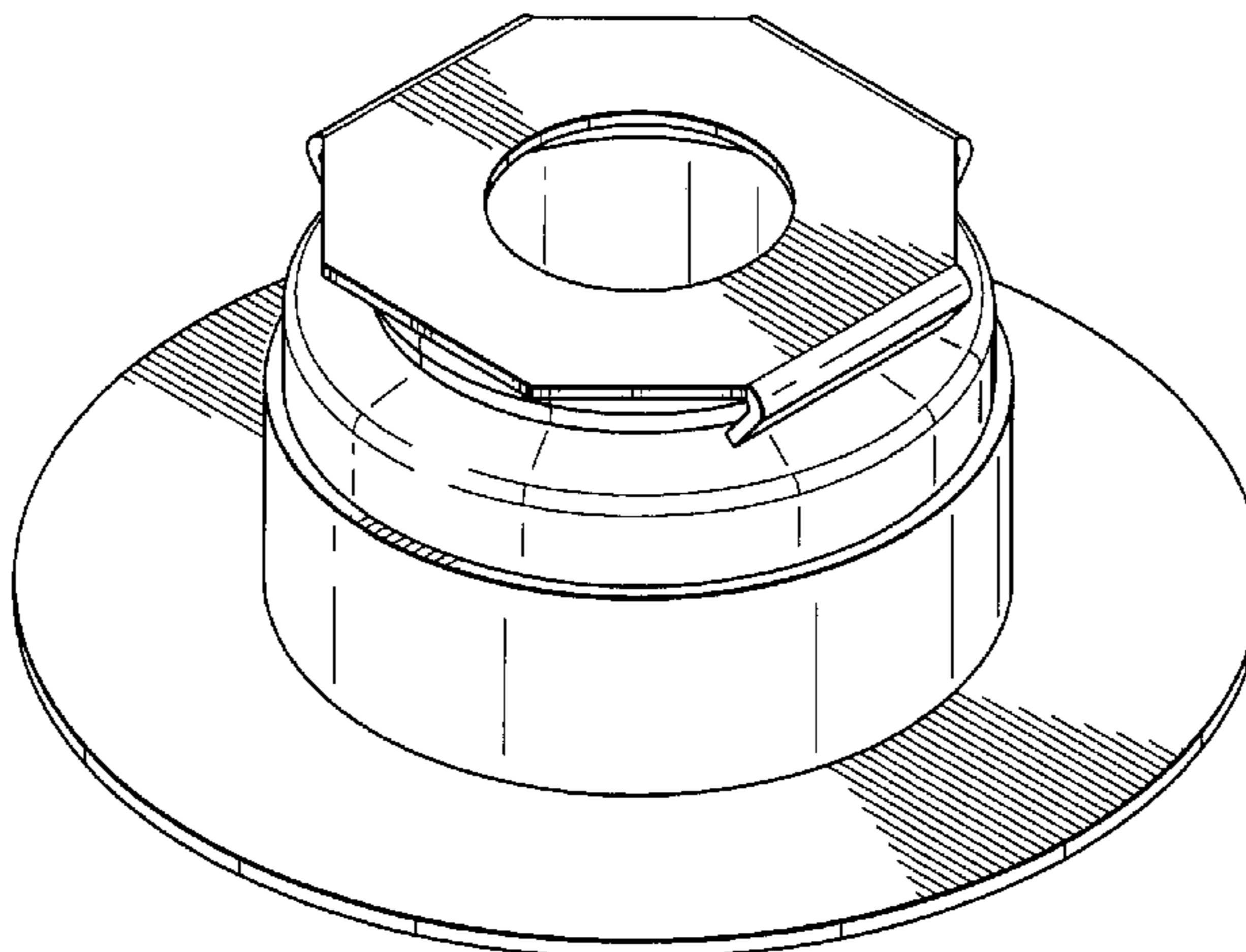
(57) **CLAIM**

The ornamental design for an anti-tipping holder with animal feeder jar, as shown and described.

DESCRIPTION

FIG. 1 is a perspective view of the anti-tipping holder with animal feeder jar showing our new design;
FIG. 2 is a front elevational view thereof;
FIG. 3 is a rear elevational view thereof;
FIG. 4 is a right side elevational view thereof;
FIG. 5 is a left side elevational view thereof;
FIG. 6 is a top plan view thereof; and,
FIG. 7 is a bottom plan view thereof.

1 Claim, 5 Drawing Sheets



US D622,011 S

Page 2

U.S. PATENT DOCUMENTS

5,709,168	A *	1/1998	Walker	119/61.5	D455,321	S	4/2002	Jung et al.	
5,738,037	A *	4/1998	Mahan	119/72	D488,031	S	4/2004	Kim	
5,758,598	A	6/1998	Rothert		6,866,005	B1 *	3/2005	Bunker	119/72
5,782,374	A	7/1998	Walker		D523,296	S	6/2006	Kim	
5,791,287	A *	8/1998	Gruber	119/74	D538,981	S *	3/2007	Skowronski	D30/132
5,857,427	A *	1/1999	Kelley	119/61.56	7,296,539	B2 *	11/2007	Iltas	119/61.54
5,881,670	A	3/1999	Pelsor		7,306,112	B2 *	12/2007	Shepard	220/506
5,950,567	A	9/1999	Sheaffer et al.		7,392,761	B2	7/2008	Kujawa et al.	
5,960,740	A *	10/1999	Pelsor	119/61.54	7,487,741	B2 *	2/2009	Jordan	119/61.54
6,032,824	A *	3/2000	Barrow	220/621	7,600,486	B2 *	10/2009	Ellis	119/61.5
D423,732	S *	4/2000	McGee	D30/129	D605,894	S *	12/2009	Drennow	D7/397
6,070,359	A *	6/2000	Liu	47/79	7,637,390	B2 *	12/2009	Bocola	220/849
6,125,790	A *	10/2000	Breedwell	119/51.5	2006/0016817	A1 *	1/2006	Sheppard et al.	220/506
6,142,101	A *	11/2000	Pelsor	119/61.54	2006/0201434	A1 *	9/2006	Kujawa et al.	119/61.5
6,230,653	B1 *	5/2001	Tobin	119/72	2007/0151010	A1 *	7/2007	Ellerbe	4/300.3
D447,290	S *	8/2001	Huai	D30/129	2008/0216753	A1 *	9/2008	Wang	119/61.1
6,325,930	B2 *	12/2001	Farley	210/282	2008/0264345	A1 *	10/2008	Kujawa et al.	119/61.5
6,345,470	B1 *	2/2002	Slaght et al.	47/79	2008/0302307	A1 *	12/2008	Bertsch et al.	119/61.5
					2008/0314326	A1 *	12/2008	Albert	119/61.56

* cited by examiner

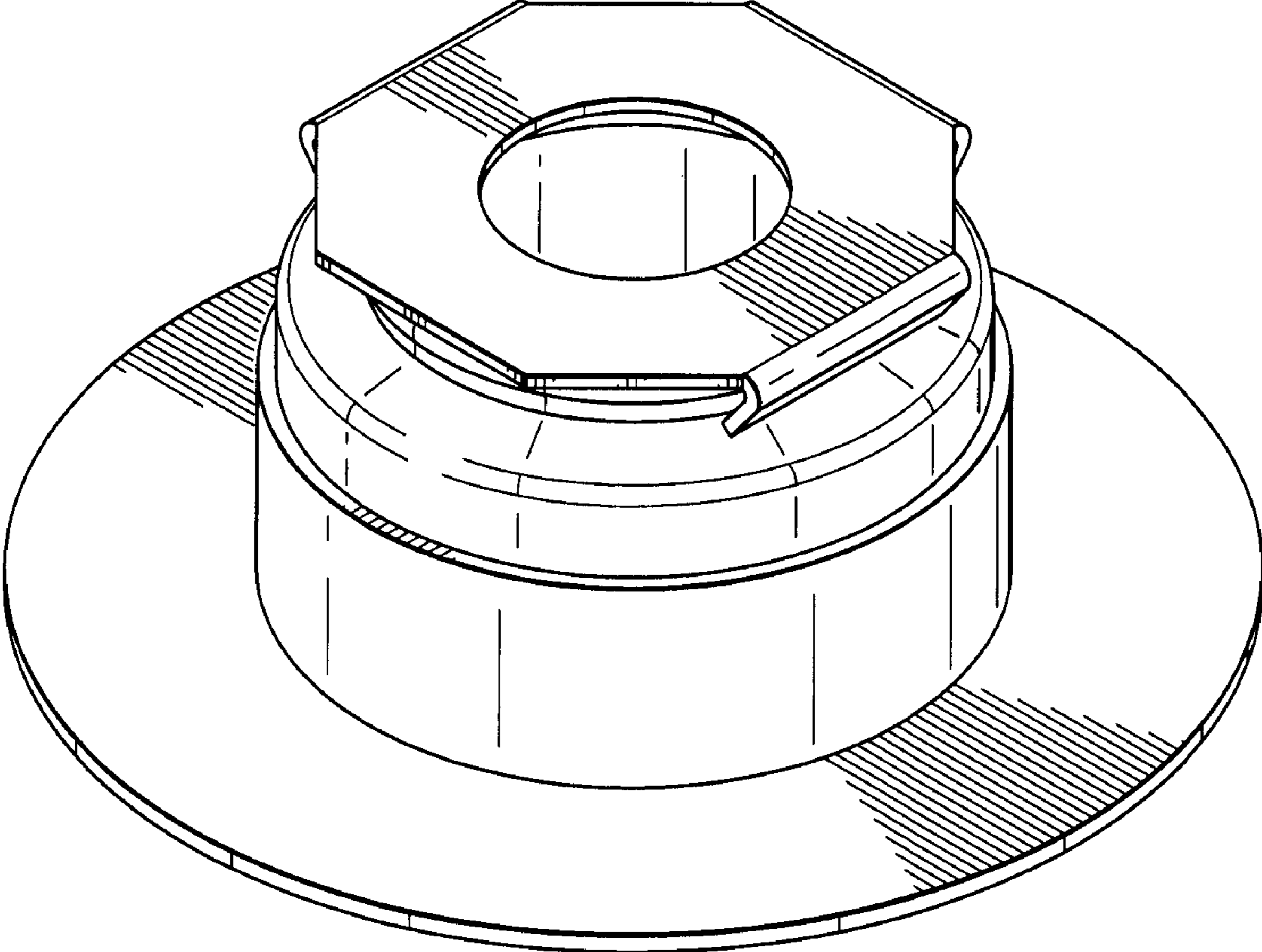


FIG. 1

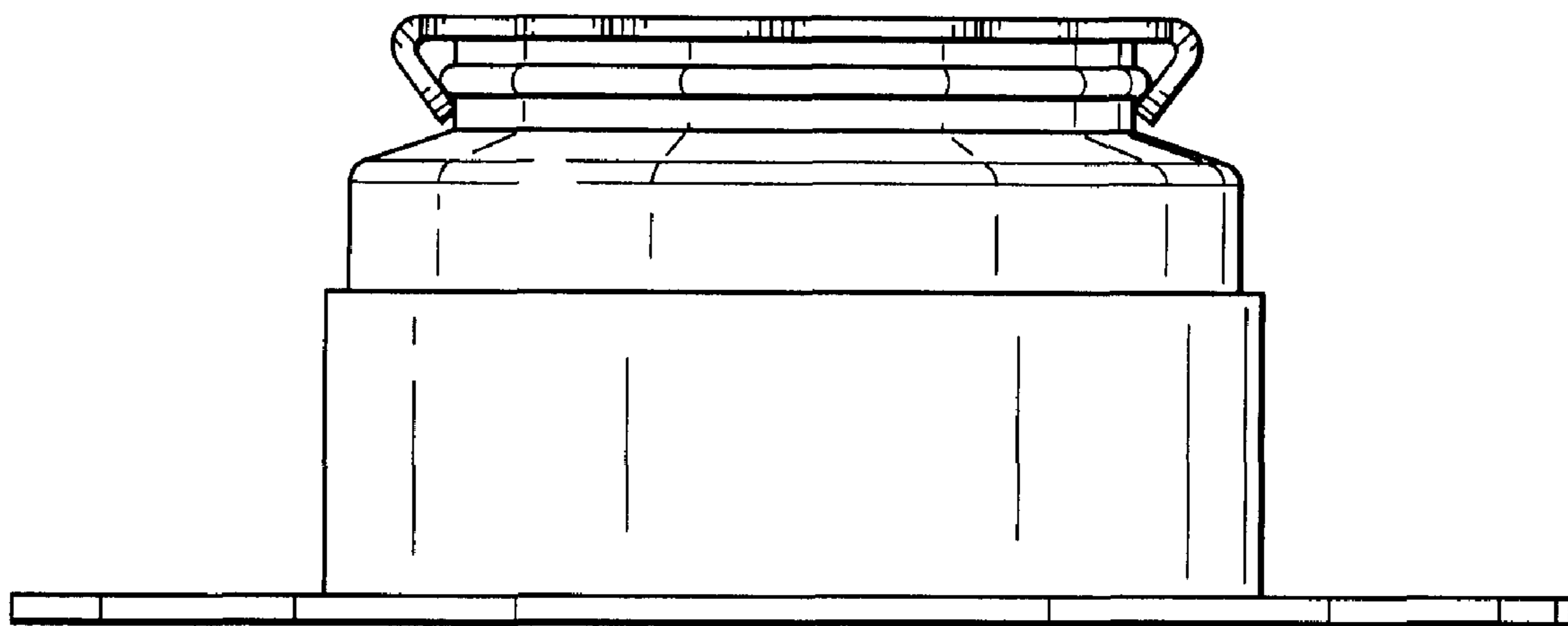


FIG. 2

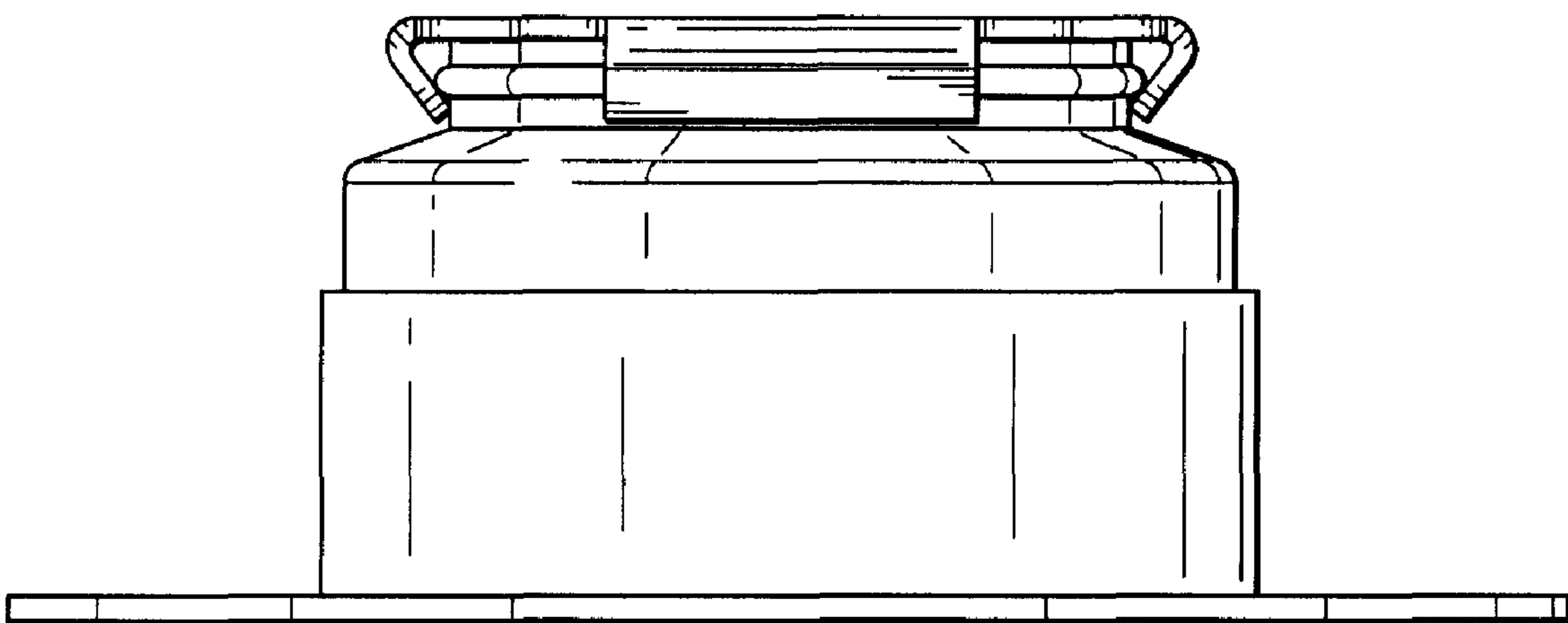


FIG. 3

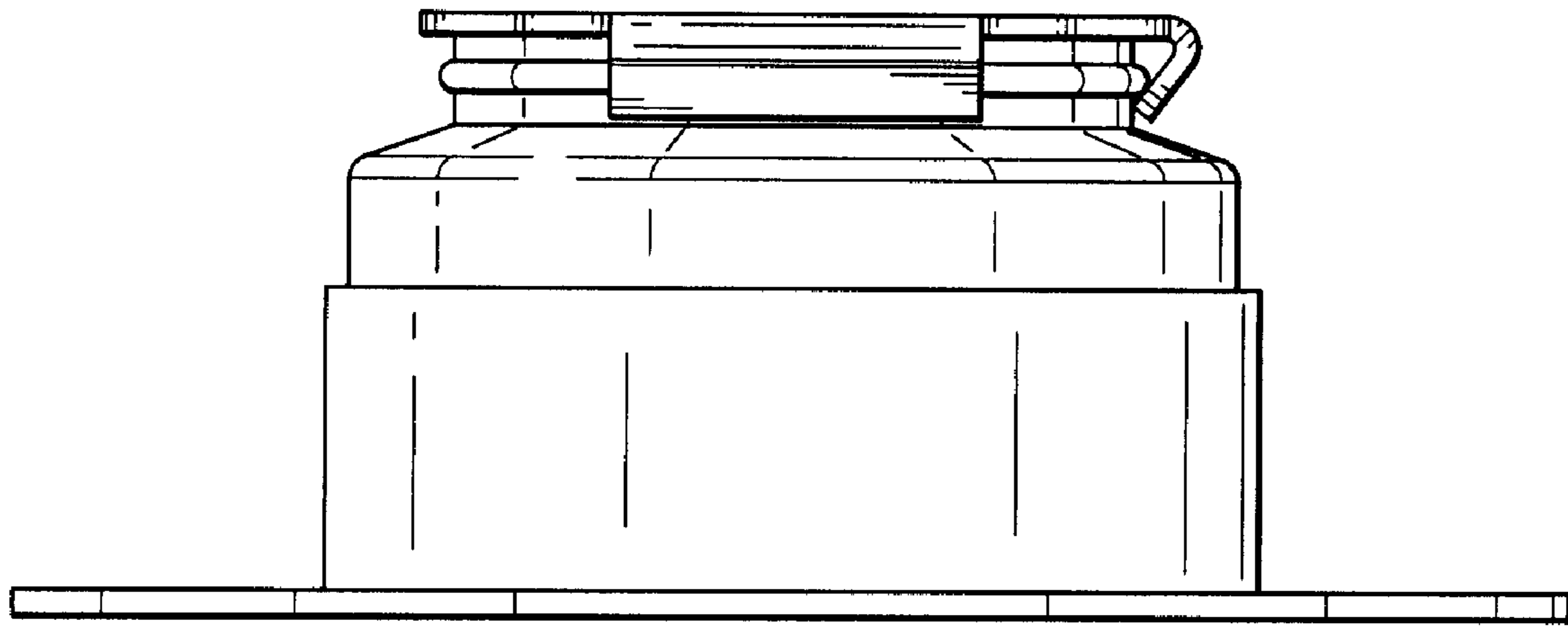


FIG. 4

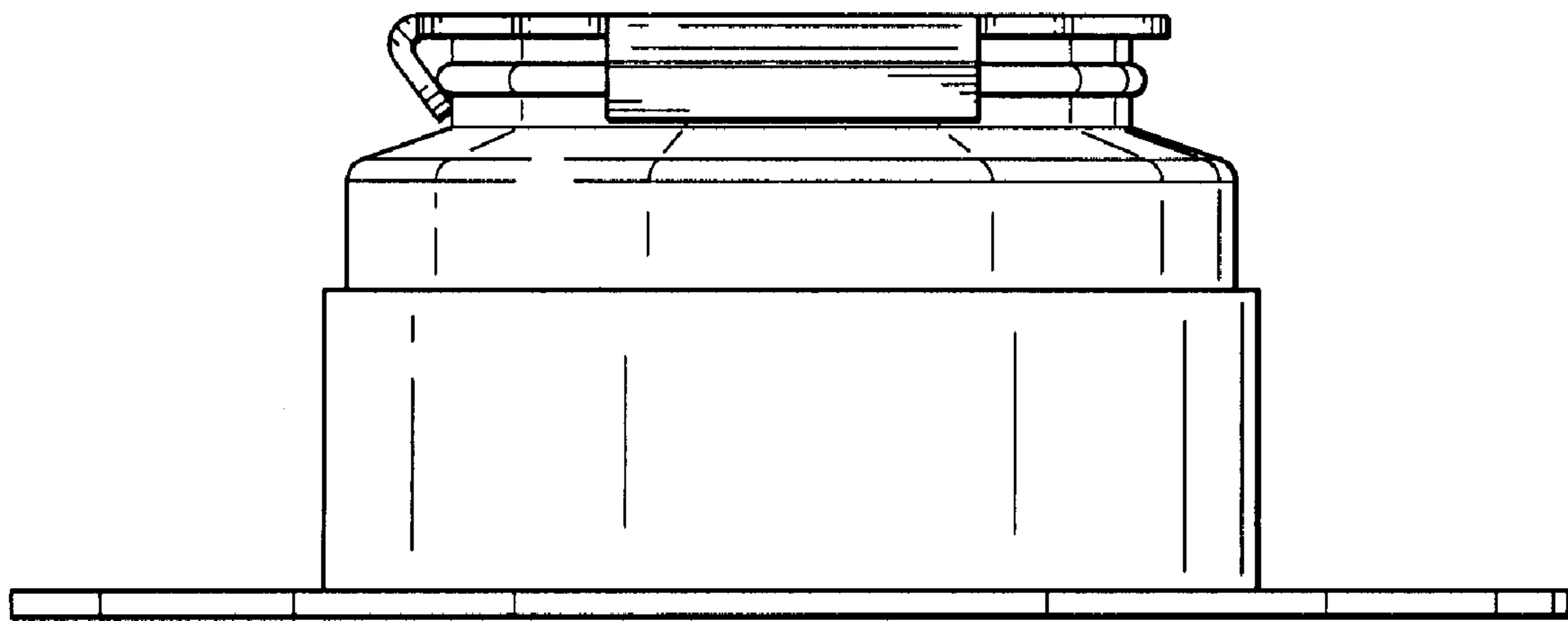


FIG. 5

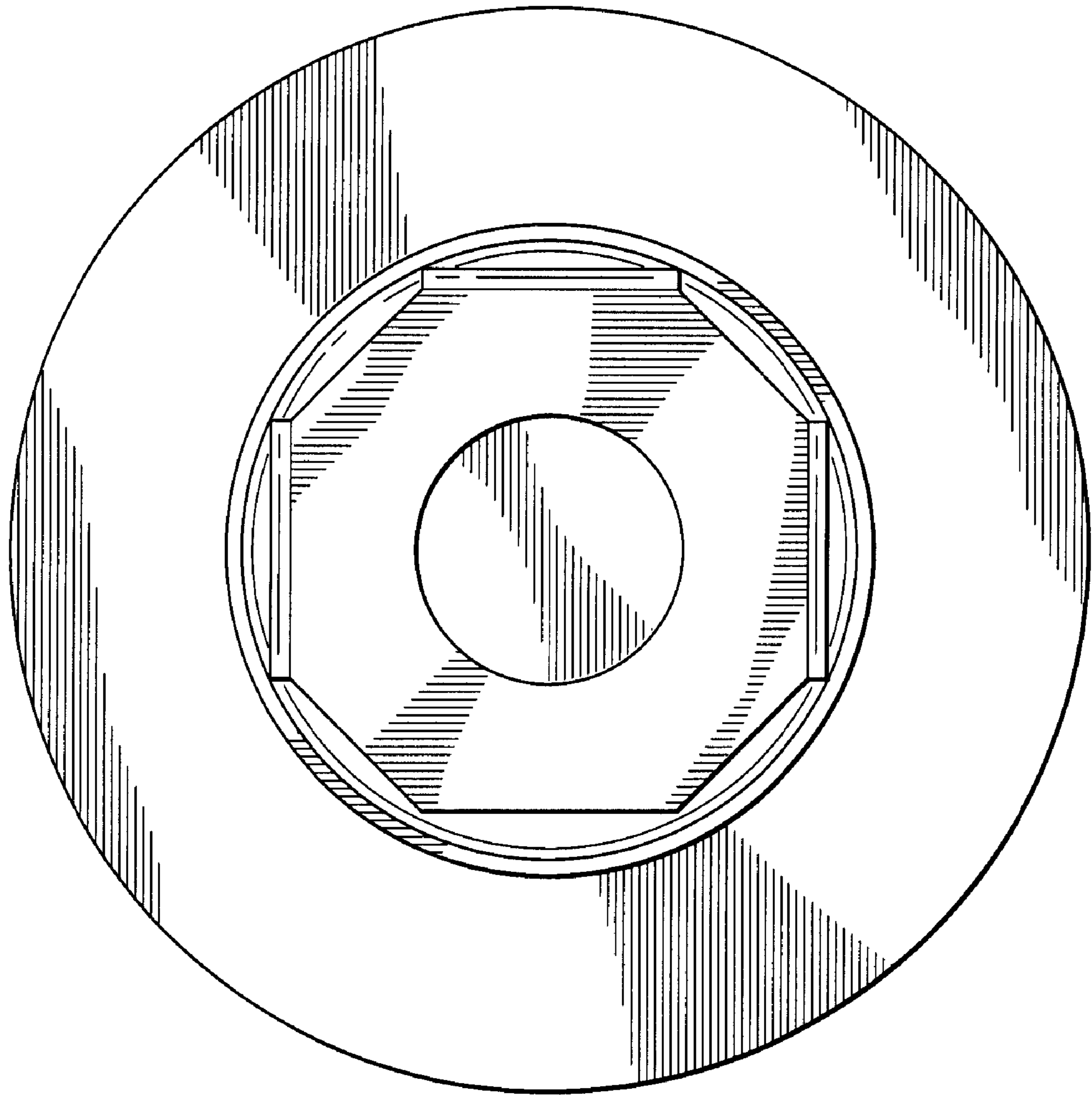


FIG. 6

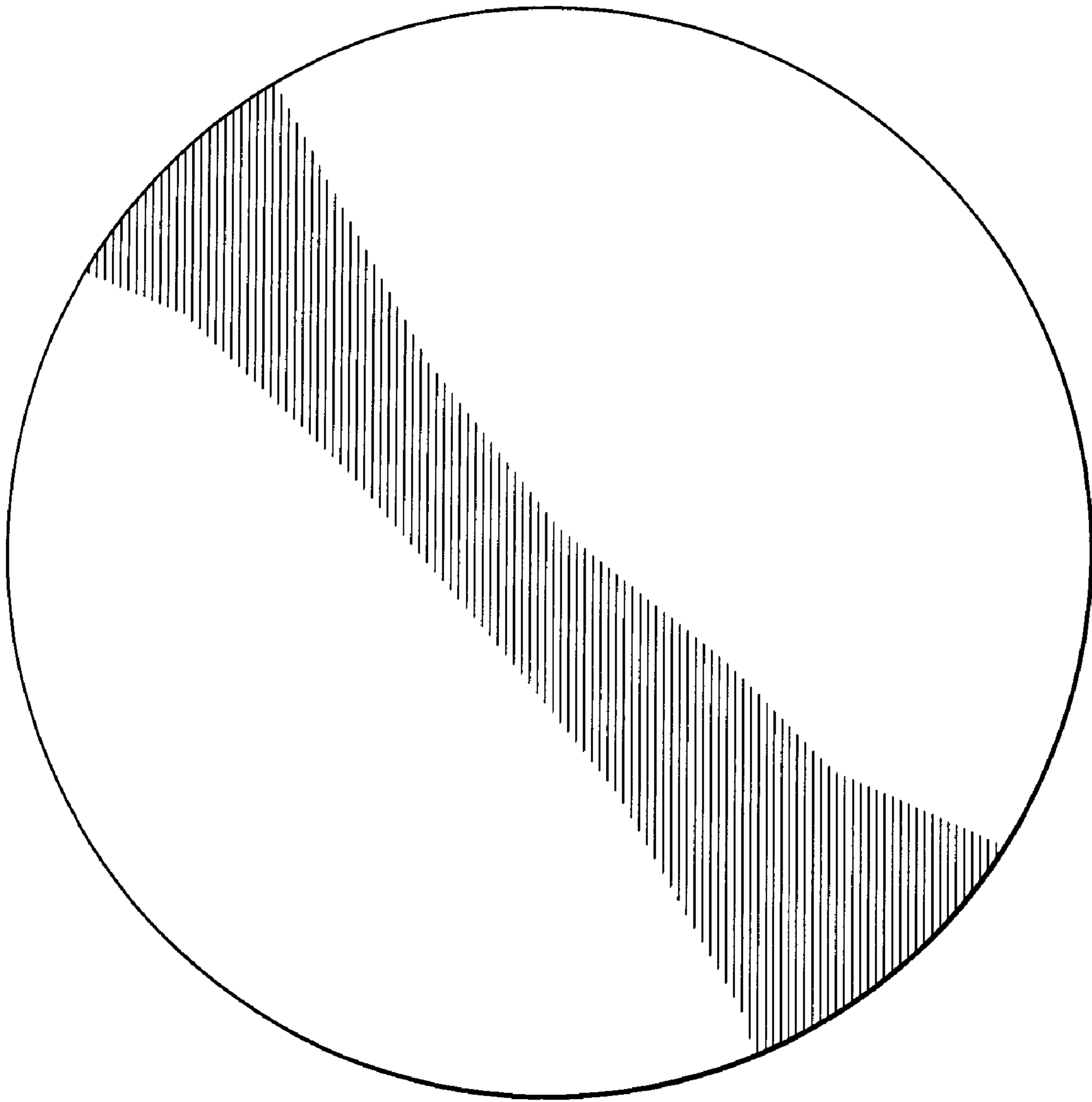


FIG. 7